



# KRONE

**NO.  
147-1**

**INSTRUCTION AND  
SPARE PARTS BOOK**

**Turbo mowers TM 4/270  
Turbo mowers TM 4/330**

**for TM 4/270 from machine no. 3010**



**Dear Customer:**

By purchasing the Krone turbo mower, you have selected a mowing machine which will provide great efficiency and economy of operation, as well as a long life. An agricultural machine which has been proven throughout the world.

Before putting your machine into operation, you should read this instruction book carefully, taking note of each individual point; this will be to your advantage.

For the terms of warranty, please see our general conditions of sale.

Yours very truly,



**Bernard KRONE GmbH  
Machinery Works**

# Contents

Page

---

Technical data	5
Check list	6
Safety measures	7
Lubrication	8-9
Operating instruction	10-16
Single swath attachment with spider wheels	17
Trouble shooting	18-19
Drive shafts	20-25
Drawbar with drive shaft	26-27
Carrier beam, control arms, hydraulic ram, cables, parking stand	28-29
Turning wheel	30-31
Track wheel	32-33
Gearbox	34-35
V-belt drive, cutter bar, swath board	36-37
Cutter bar	38-39
Cylinders	40-41
Hydraulic ram and oilpipes	42-43
Guards	44-45
Conditioner drive	46-47
Chain drive on conditioner	48-49
Conditioner	50-51
Swath hood	52-53
Single swath attachment	54-55
Mounting instruction and spare part list of quick knife attachment	57-60

## Technical Data

	TM 4/270	TM 4/270 with conditioner	TM 4/330	TM 4/330 with conditioner
Working width	2,70 m	2,70 m	3,30 m	3,30 m
Transport width, swung outward	3,35 m	3,35 m	3,75 m	3,75 m
Transport width, in long towing position	2,55 m	2,55 m	2,85 m	2,85 m
Transport length, in long towing position	5,70 m	5,70 m	6,20 m	6,20 m
Overall height	1,17 m	1,42 m	1,17 m	1,42 m
Number of mowing cylinders	4	4	4	4
Number of blades per cylinder	2	2	4	4
RPM of splined shaft	540	540	1000	1000
RPM of cylinders	2220	2220	1975	1975
Approximate weight	1000 kg	1310 kg	1080 kg	1420 kg
Drive shaft connection	1 3/8"	1 3/8"	1 3/8"	1 3/8"
Working efficiency	6-8,5 acres/hour	6-8,5 acres/hour	8,5-11 acres/hour	8,5-11 acres/hour
Power consumption	60 hp	70 hp	70 hp	80 hp

## Check list

After the turbo mower has been assembled and lubricated, check thoroughly to see that it is ready for operation before it is delivered to the customer. The following list is a summary of the individual check points. Check each individual point after it has been found to be satisfactory or a proper adjustment has been made.

1. Check whether the turbo mower has been assembled in accordance with the assembly instructions.  
Check all screws, nuts, bearings and adjusting rings for proper position.
2. Check the lug nuts to make sure they are tight. All wheel bearings, flanges and nuts should be checked.
3. Check tire pressure (32 psi).
4. Check all lubrication points; if necessary, lubricate.
5. Make sure that all lubrication fittings accept grease, and that all gasket form oil-tight seals.
6. Check all belt pulley for damage or rust, and remove any foreign matter.
7. Check alignment of all the pulley and all sprockets, then check the tension of all the belts and chains.
8. **Be sure that all knives and, where applicable, crop lifters are mounted in pairs and securely fastened.**
9. Adjust suspension springs properly.
10. Check to see that the conditioner mounting bolt are tight. Check conditioner chain for alignment and tension.
11. Check the stops for the upper conditioner roller for proper installation. There must be over 1/32" clearance between the rubber and the steel rollers.
12. Adjust swath plates.
13. **Be sure that all guards are attached.**

## Test Run of the Turbo Mower

Run the turbo mower for a short time at low RPM; after turning off the tractor, check thoroughly to see that there are no loose screws or nuts. Check for heating up of bearings, connection parts, loose V-belts and chains, or other troubles.

Start tractor again. Let the turbo mower run for at most 15 minutes at low RPM. Then run the turbo mower for at least 15 minutes at full RPM and check the following :

1. Check hydraulic installation for leaks and for operating conditions.
2. Watch for vibration and unusual noises during the running period.
3. After the test run at full RPM, check again whether it is necessary to tighten screws and nuts, or chains or V-belts.

## Safety Measures



Always turn off drive shaft and the tractor engine before you:

1. leave the tractor
2. lubricate
3. clean the mower or conditioner
4. adjust or repair the machine
5. check belt or chain tension

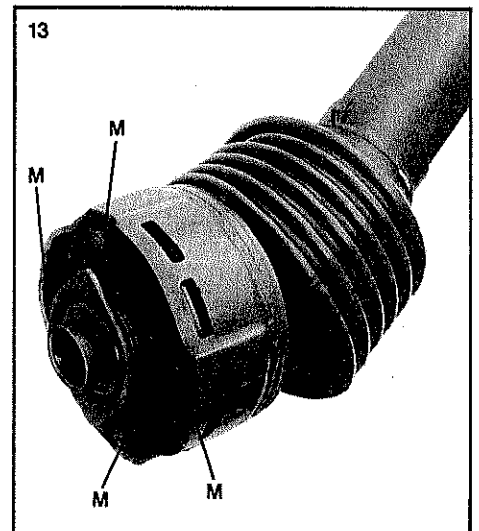
Always keep hydraulic cut-off valve closed when shutting the machinery down or when operating. When working on the machine, block the wheels or lock the brakes to prevent it from moving. Never work without guards, always replace torn guard cloths immediately.

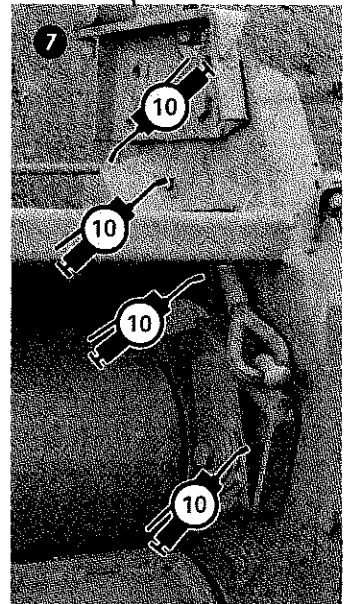
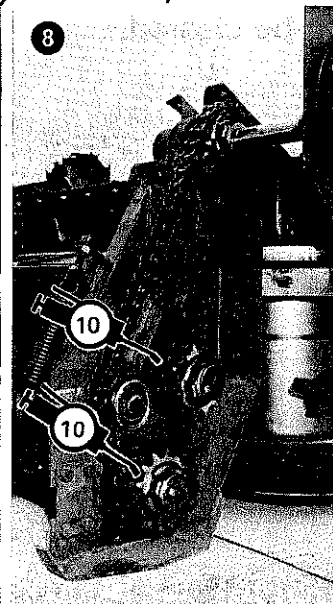
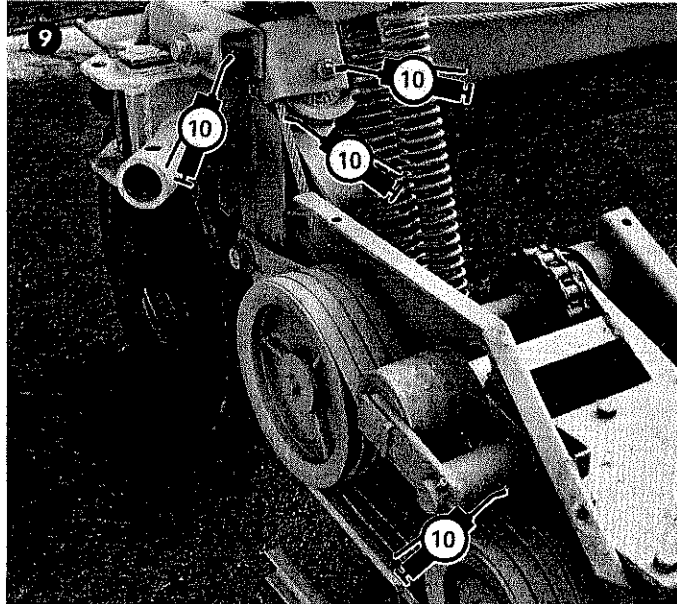
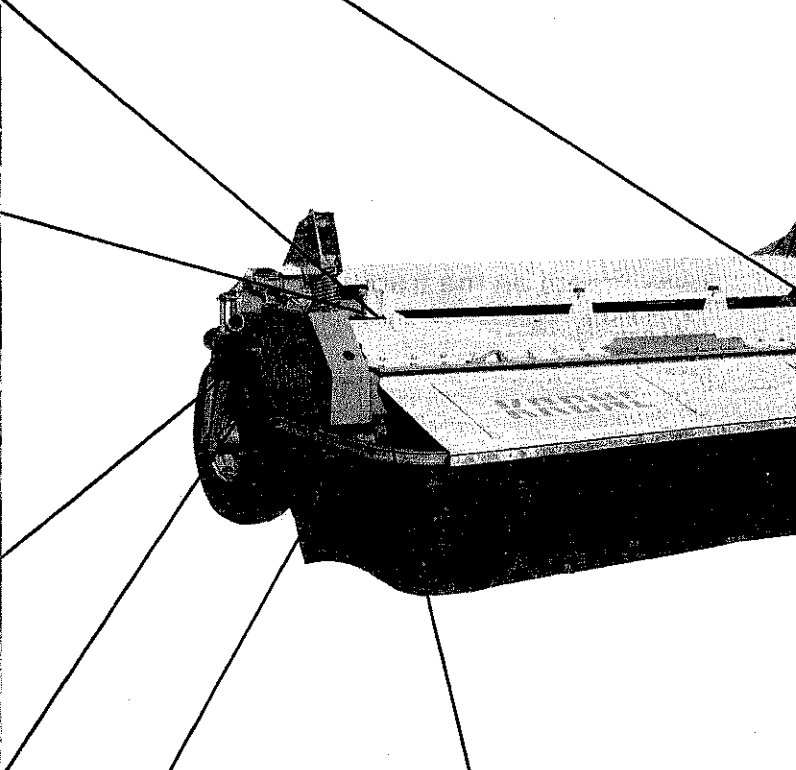
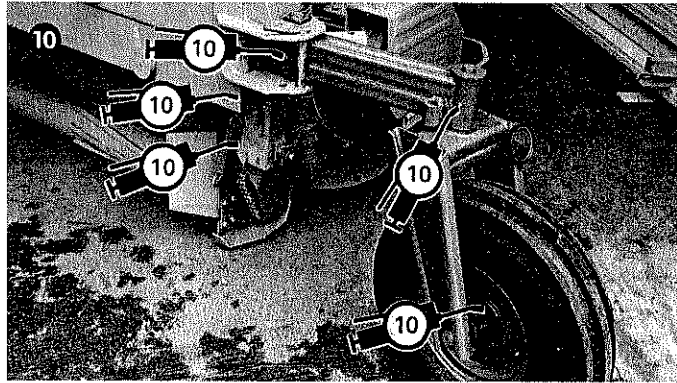
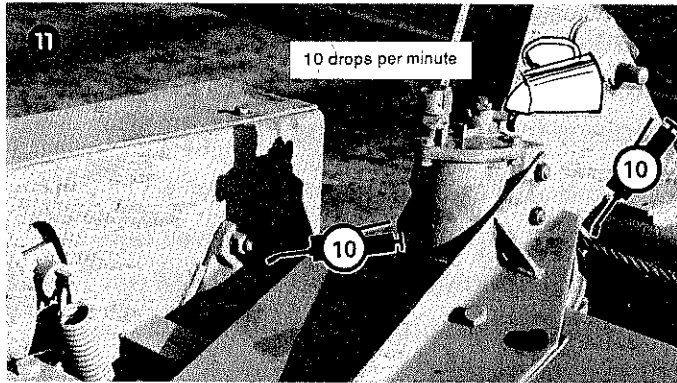
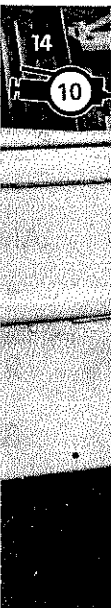
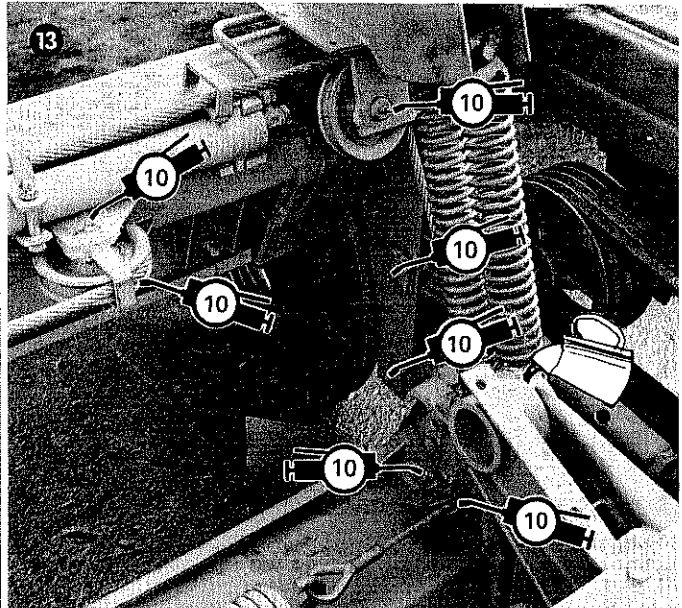
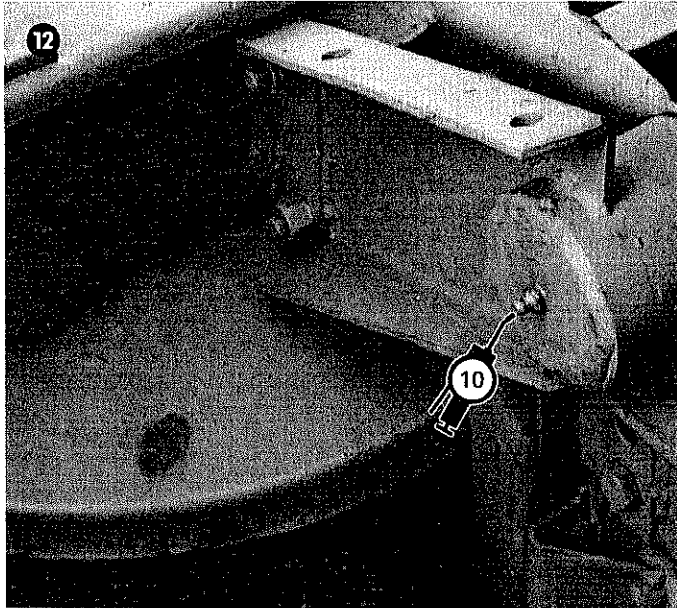
Keep people out of the area of danger from flying objects. Be especially careful when mowing near houses, streets or paths. Always stay well away from a running machine. Never take passengers on the tractor. Limit your transport speed to a maximum speed of 30 KM per hour (20 MPH). Never take bends at high speeds when the mowing machine is mounted in the long towing position. Attention at left hand turn, "machine swings out".

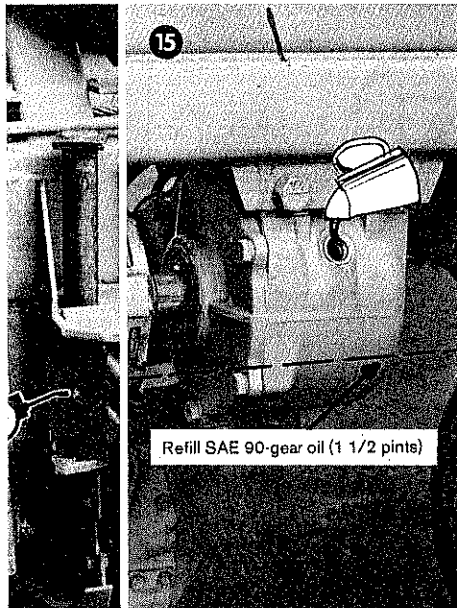
## Overload safety device

If the machine is not in use for a considerable length of time the friction linings stick to the disc clutch. There ist then no longer any protection against overload damage. After a long period out of use, therefore, the couplings for the loading and metering mechanisms must be cleared.

1. Tighten all four nuts (M)
2. Link up drive shaft of machine and tractor.
3. Engage power take-off until clutch slips, if necessary block the cutting drum.
4. Loosen nuts again.







## Lubrication

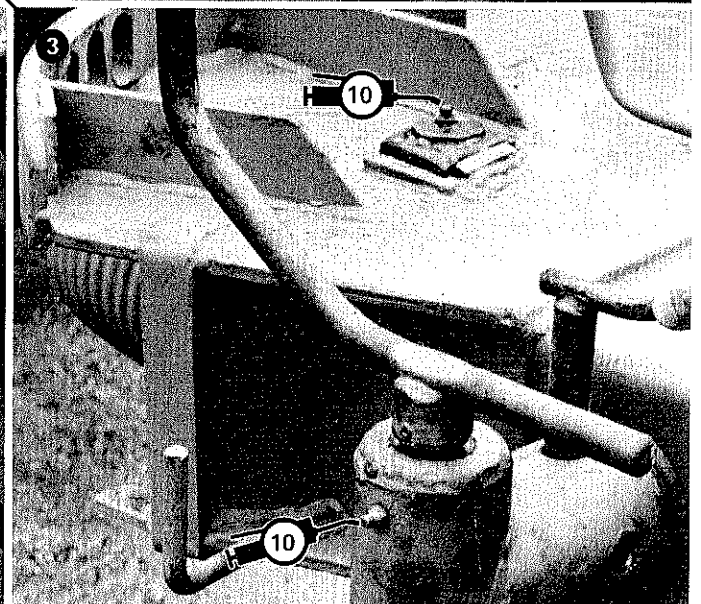
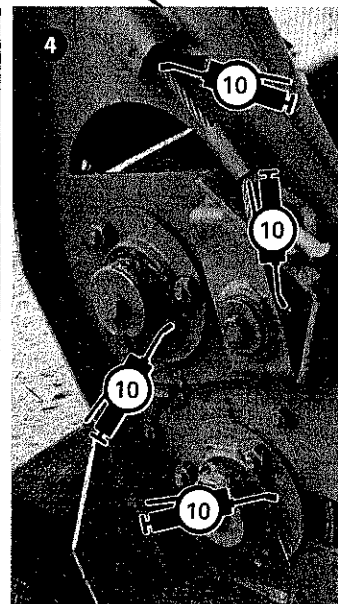
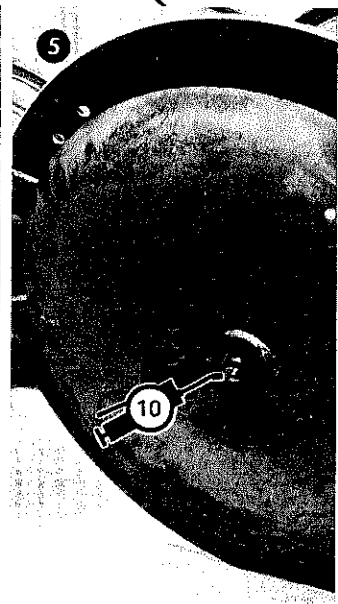
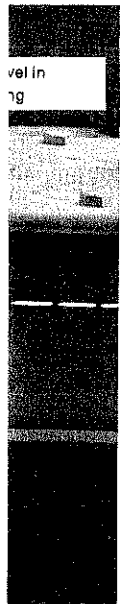
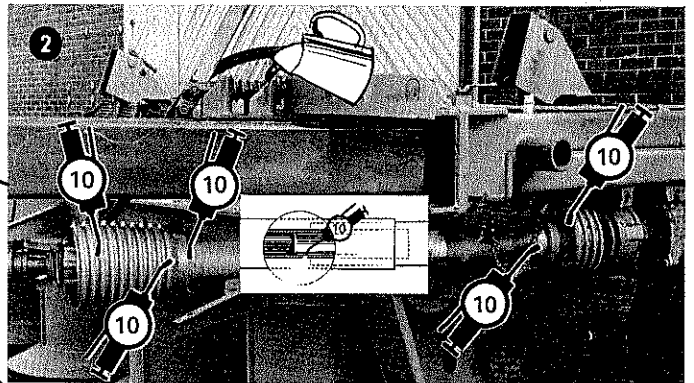
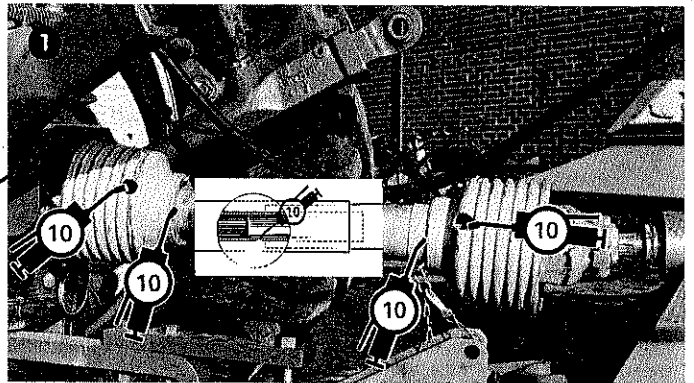
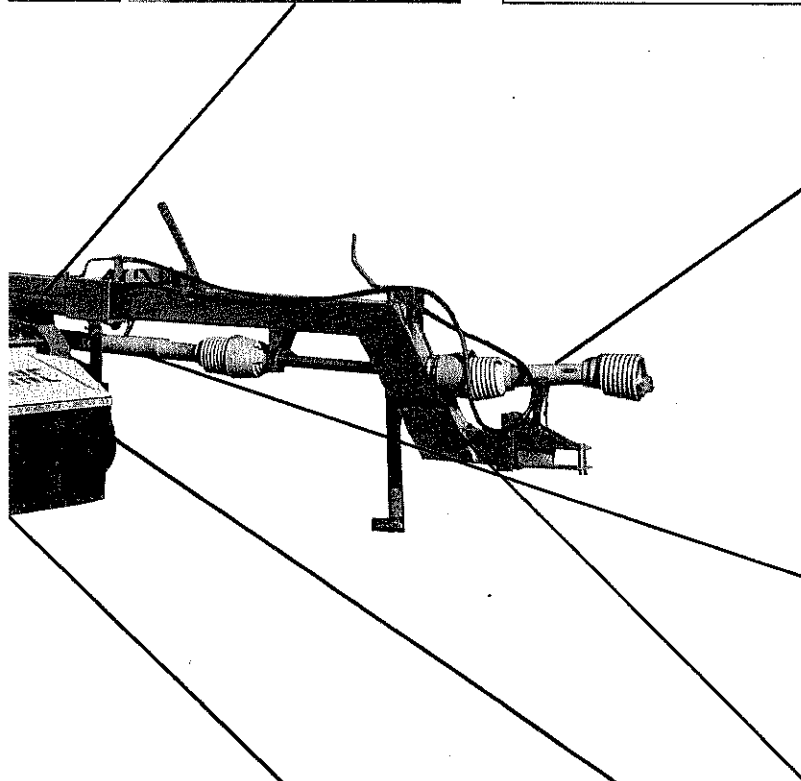
Lubricate machine only when it is not operating.



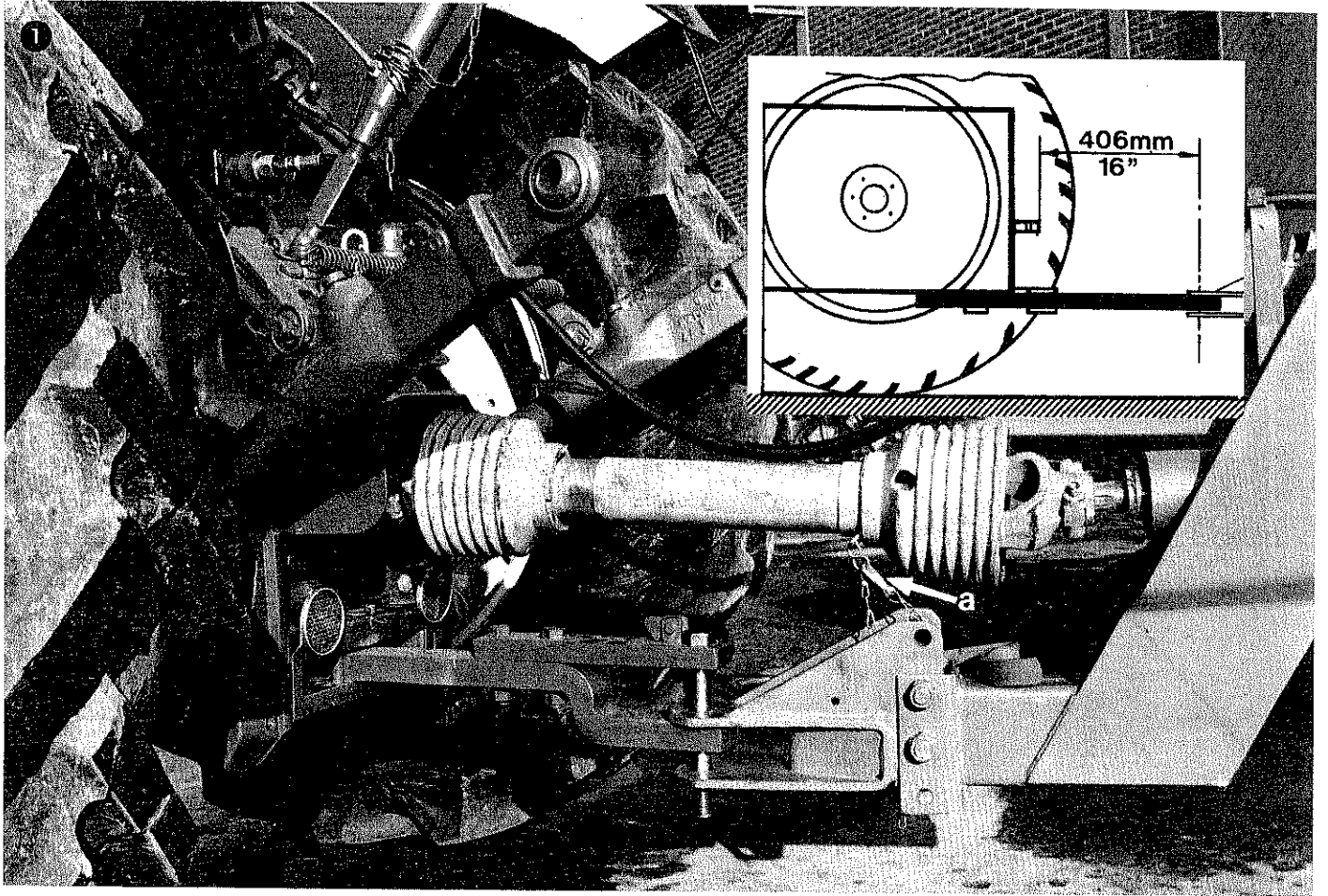
Use multi-purpose grease; frequency is given in hours (example: after every 10 operating hours).



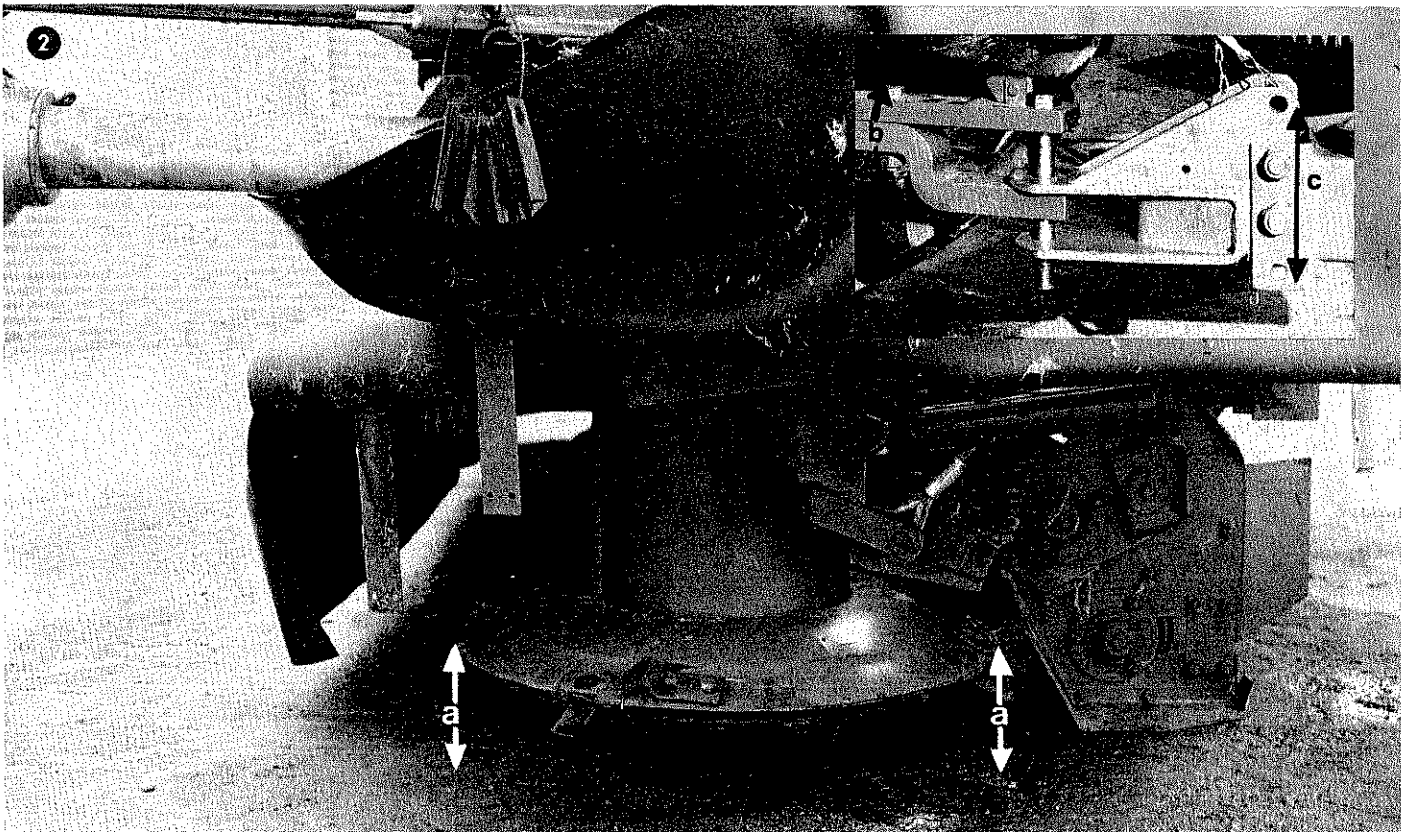
Oil is to be applied to places so designated. If a special oil is required, then the designation is given on the corresponding part. The cutter bar grease is to be replaced as necessary. Fibre gear grease - NLGJ class O with anti-wear additives.



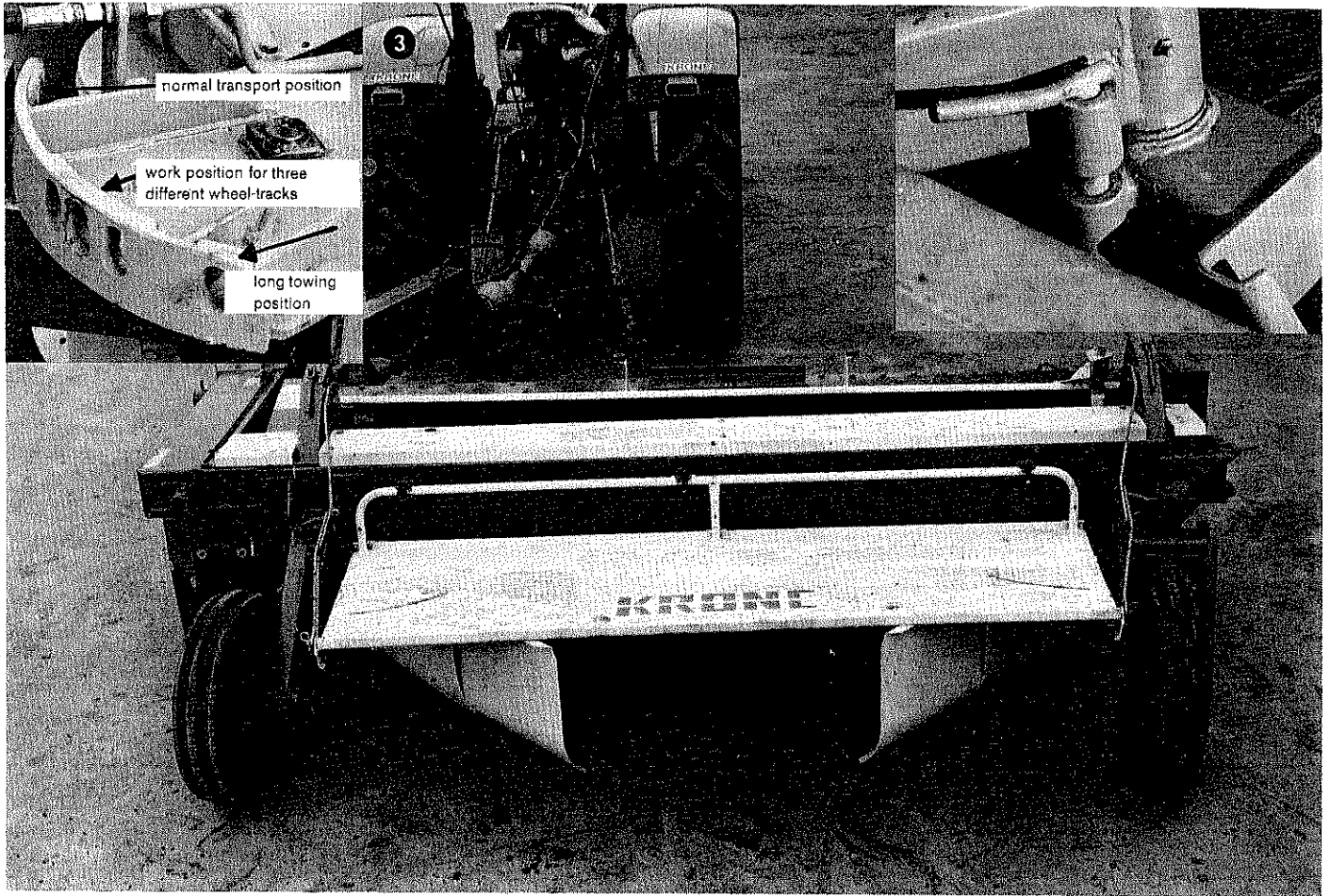




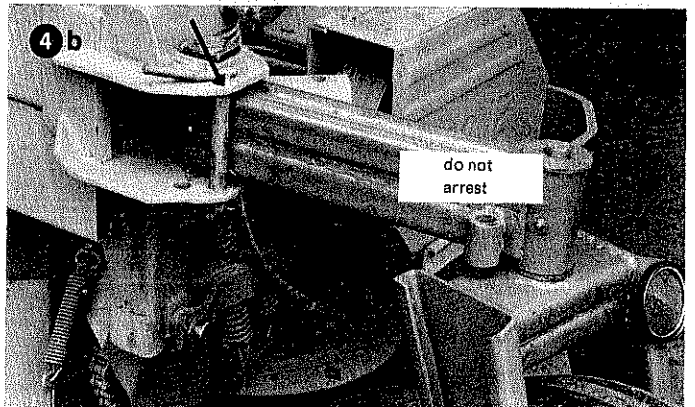
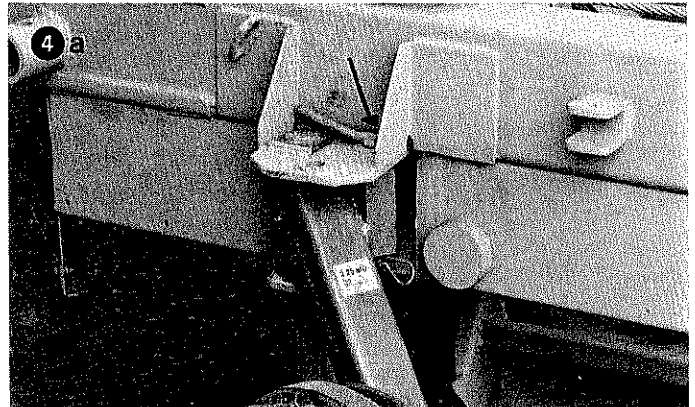
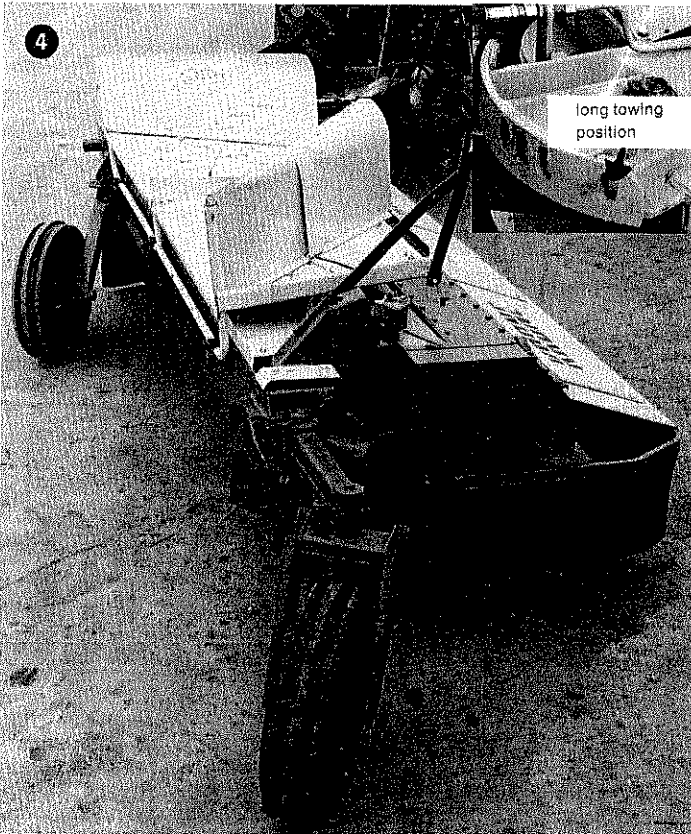
Lock the draw bar of the tractor in the central position to prevent swinging to the side, and adjust to the length indicated (see sketch). Hook mower onto tractor, then attach drive shaft and hydraulic pipe. Use chain (a) to lock drive shaft protective cover to keep it from turning. The length of the hydraulic pipe should be adjusted so that it cannot break or get caught on bends. When the mower is installed on the tractor cross-beam, use a longer drive shaft and block the lower steering gear.



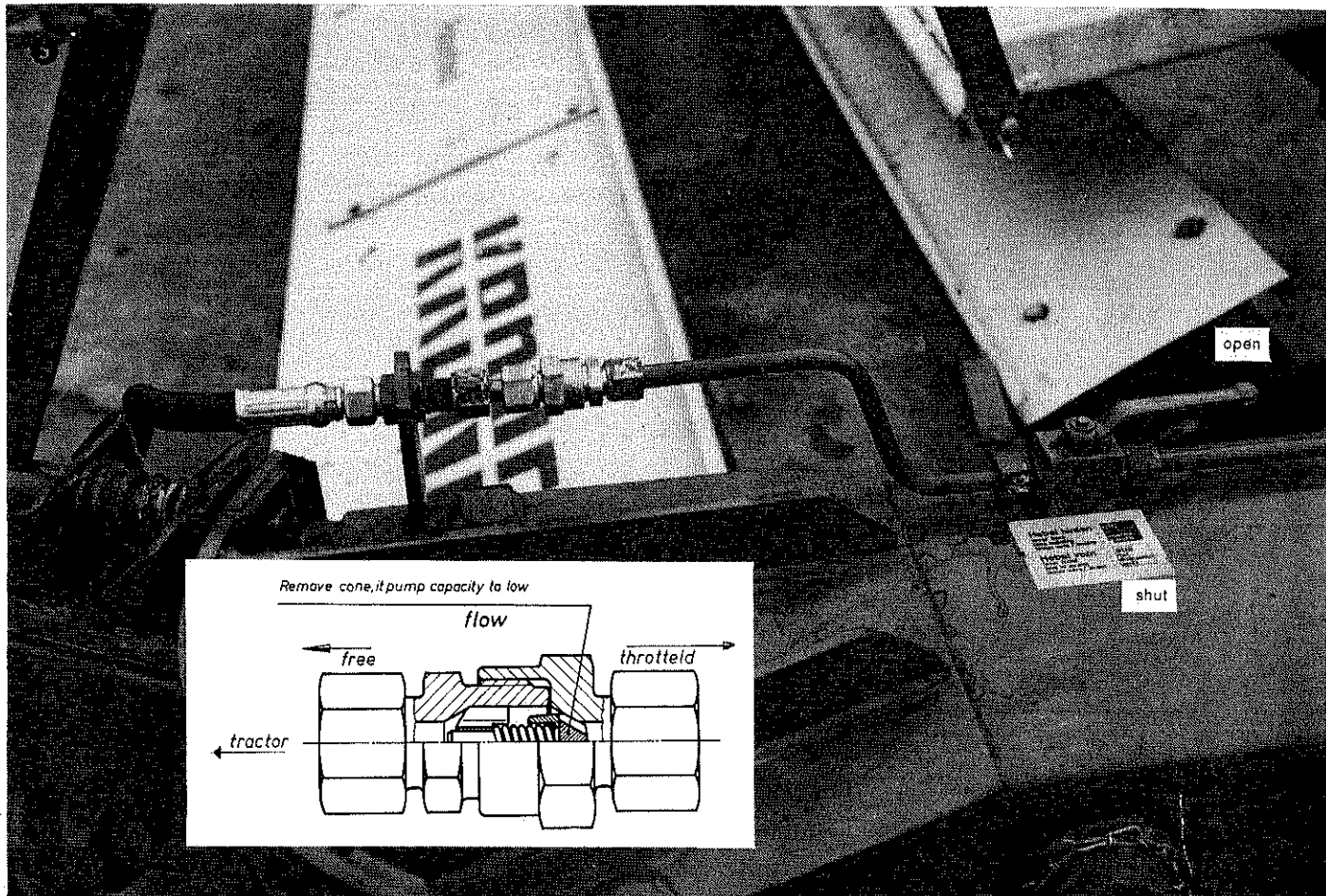
Adjust hitch opening (three different adjustment positions) or draw bar (two different adjustment positions) so that the cylinders on the cutter bar are perpendicular to the ground. The distance from the front of the cylinder to the ground (a) should be equal to the distance from the rear of the cylinder to the ground (a). Note: b is the height adjustment for the hitch socket, c is the height adjustment of the draw bar.



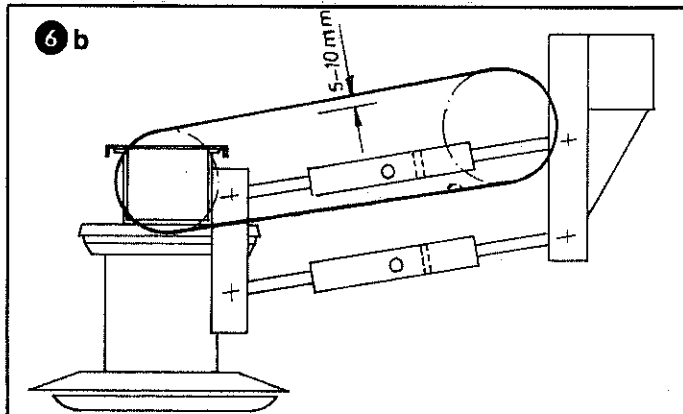
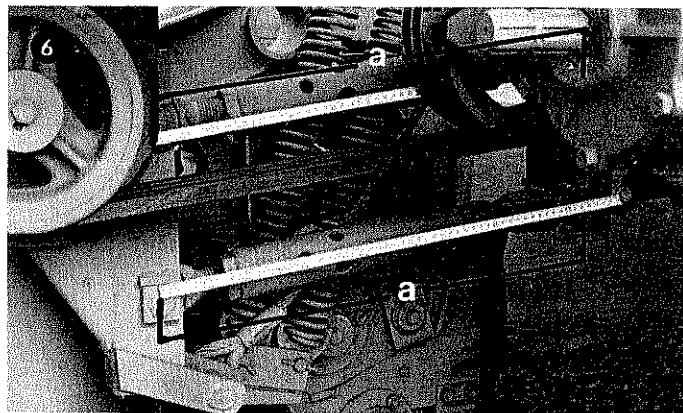
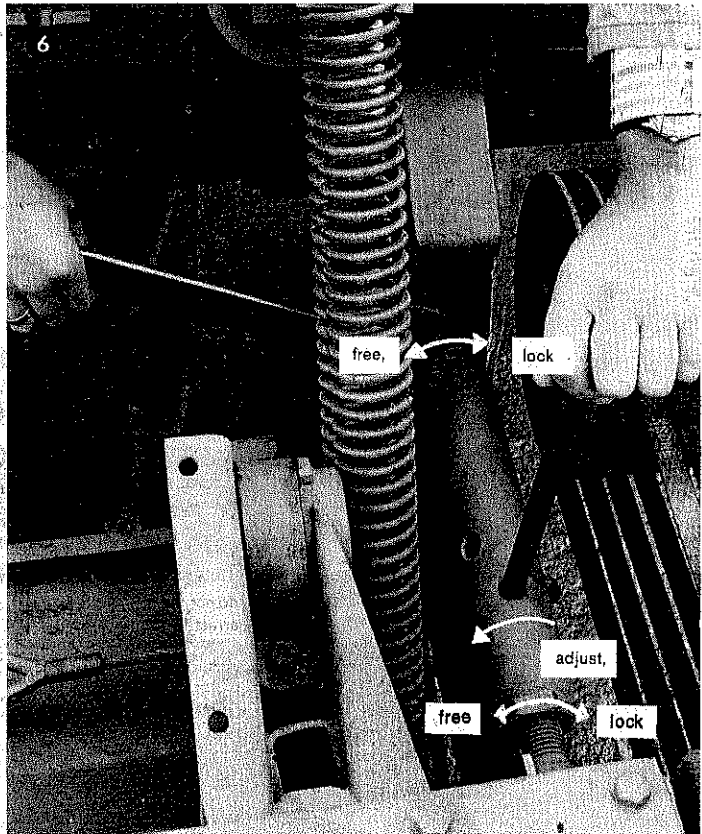
Machine in normal transport position. In either working position or transport position, both wheels must be locked.



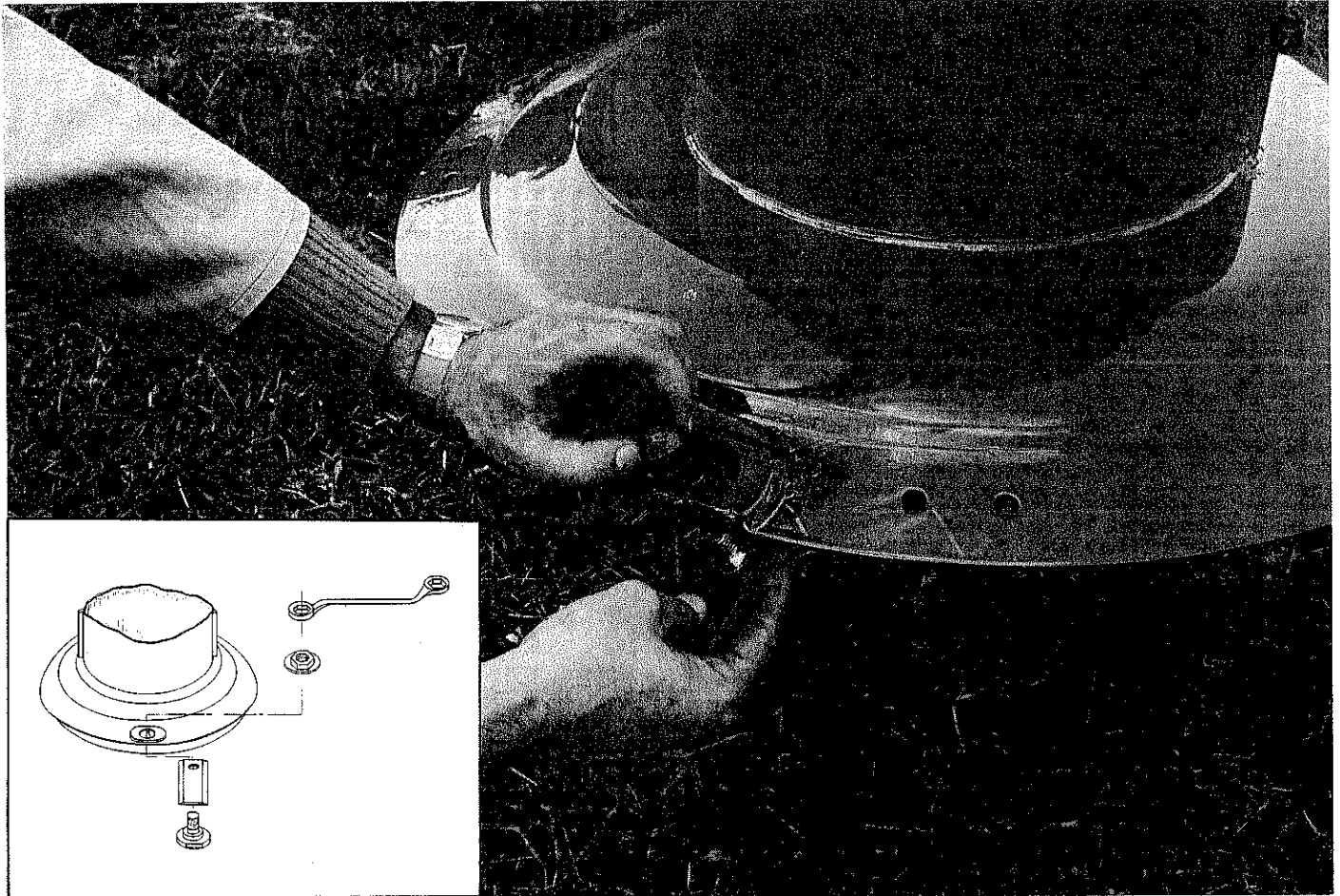
Before swinging the tongue into different positions, the cutter bar should be lowered and the tongue moved by rocking it back and forth. Use the jack in order to change the wheels into their transport or long towing positions. For travel in the long towing position, the swath hood should be folded over toward the mower, the left wheel (4a) should be locked, the suspension arm of the wheel (4b) should also be locked; the fork of the wheel must turn freely.



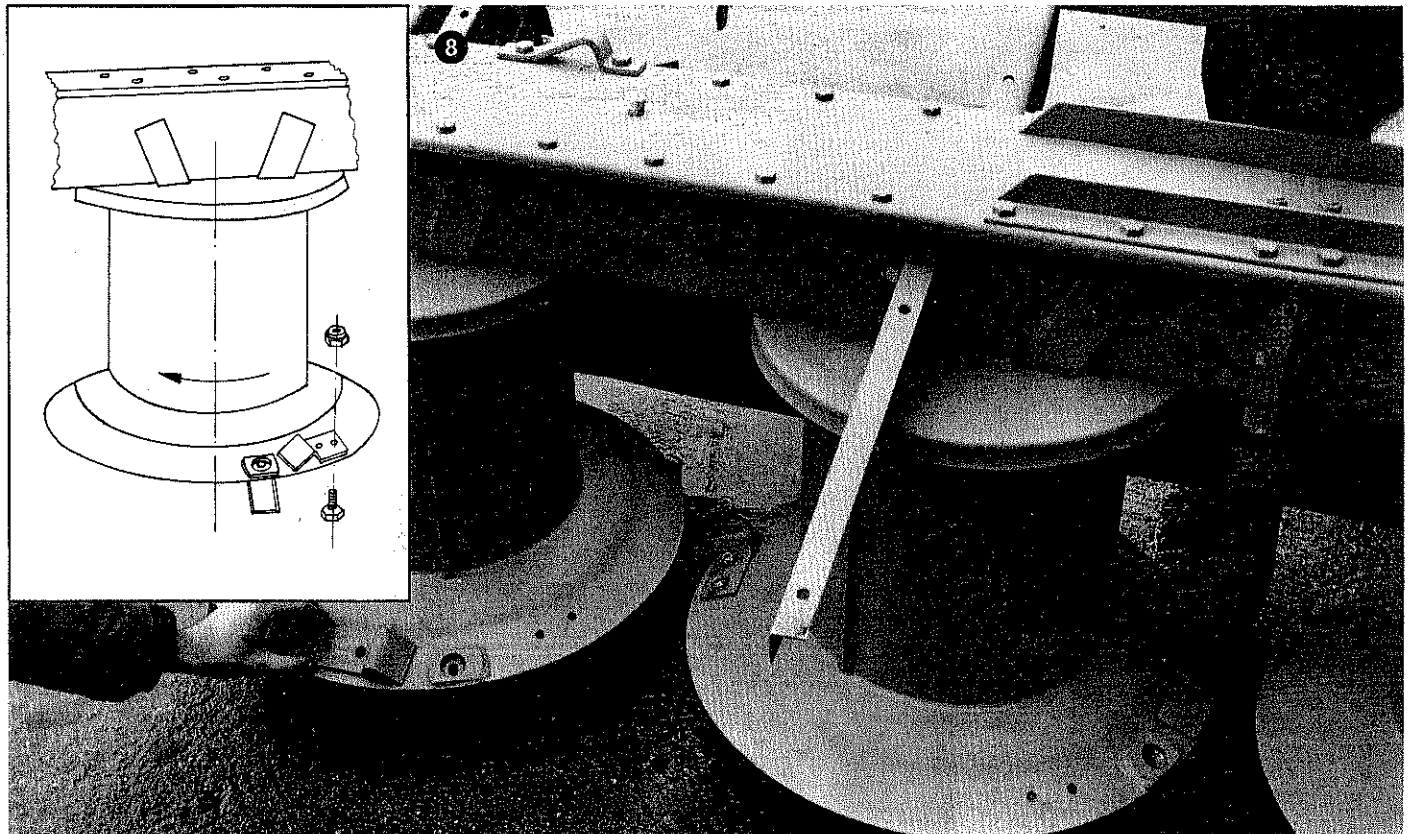
For travel or parking, the cutter bar is held in place by turning the cut-off valve to a crosswise position. In case of too slow lifting of the cutter bar, the cone should be removed from the throttle valve. (See drawing.)



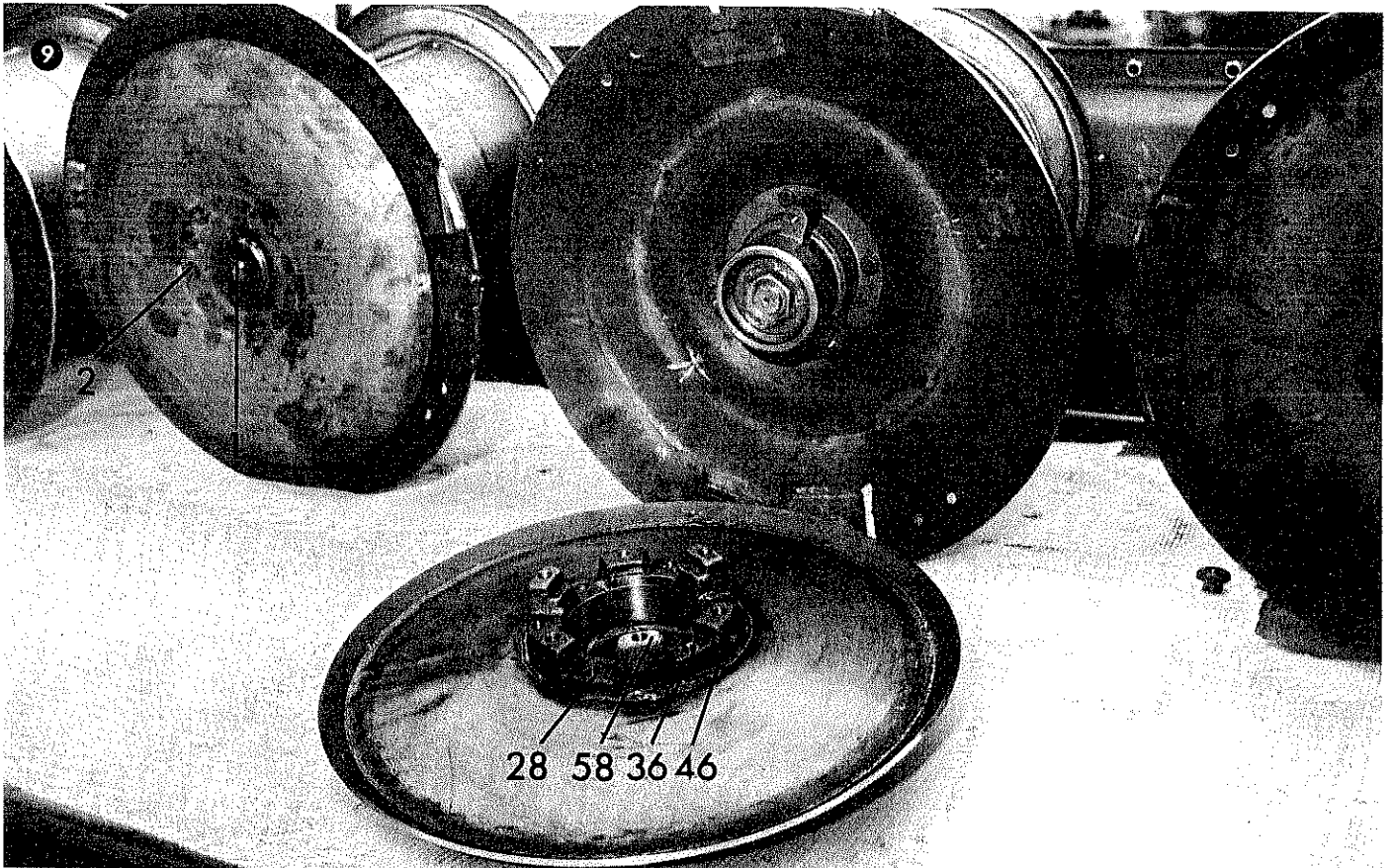
Use the two turnbuckles to equalize the tension on the V-belts, then lock them with lock nuts. The upper control arm length (a) must be equal to the lower control arm length (a). Distance (a) is equal to the center-to-center distance between pivot bolts. The tensioned V-belts should have about 5-8 mm. (about 1/4 inch) play. In no case should the control arm be used to adjust the cutting height or to lift the cutter bar.



Install the knives underneath the protective plates. The bolt from below the nut on top. **Tighten carefully and always install all knives for each cylinder, to avoid danger and damage to the mowing machine due to imbalance. Worn or damaged knives should be replaced immediately with genuine KRONE knives.**

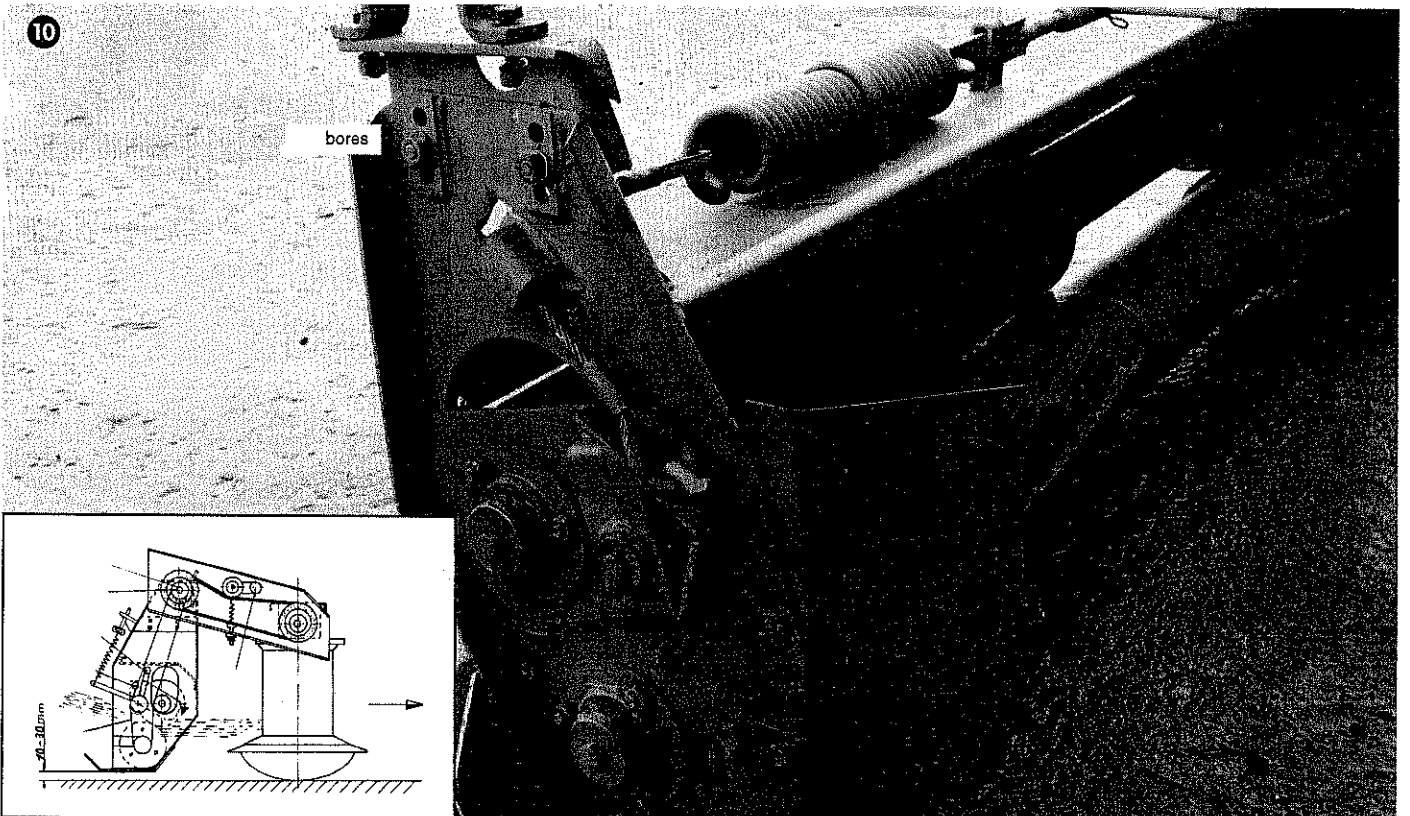


Crop lifters are necessary only if the crop is not being taken up by the conditioner. The crop lifters are to be installed behind the knives in their cutting direction, with the incline pointing toward the knife. **Crop lifters are to be installed only in pairs. Tighten the bolts connecting. Lost knives or crop lifters must be replaced immediately with new ones, to prevent great damage caused by imbalance.**

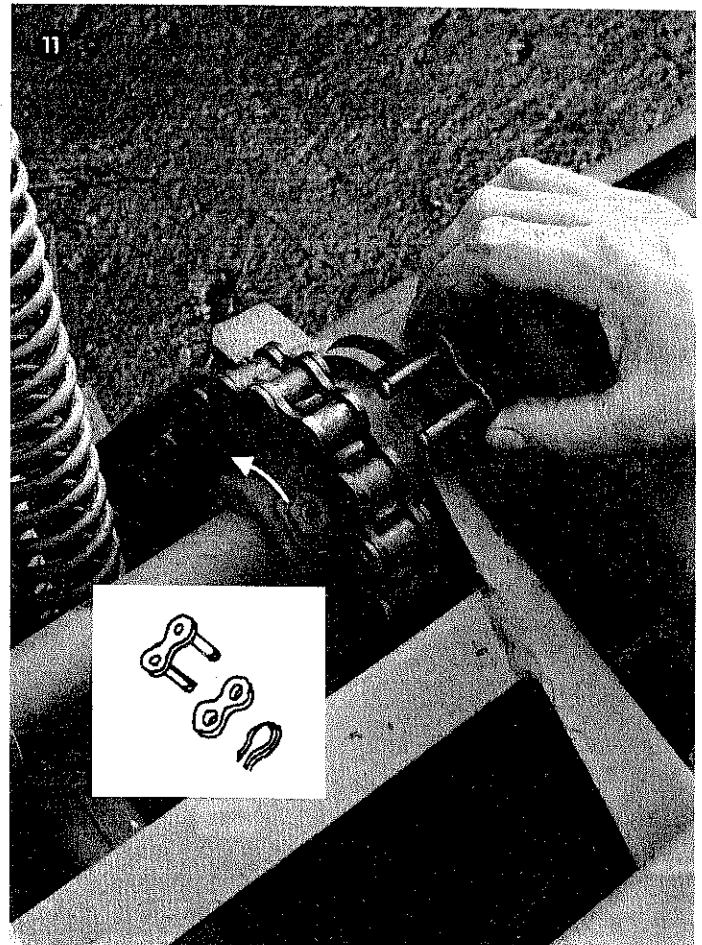
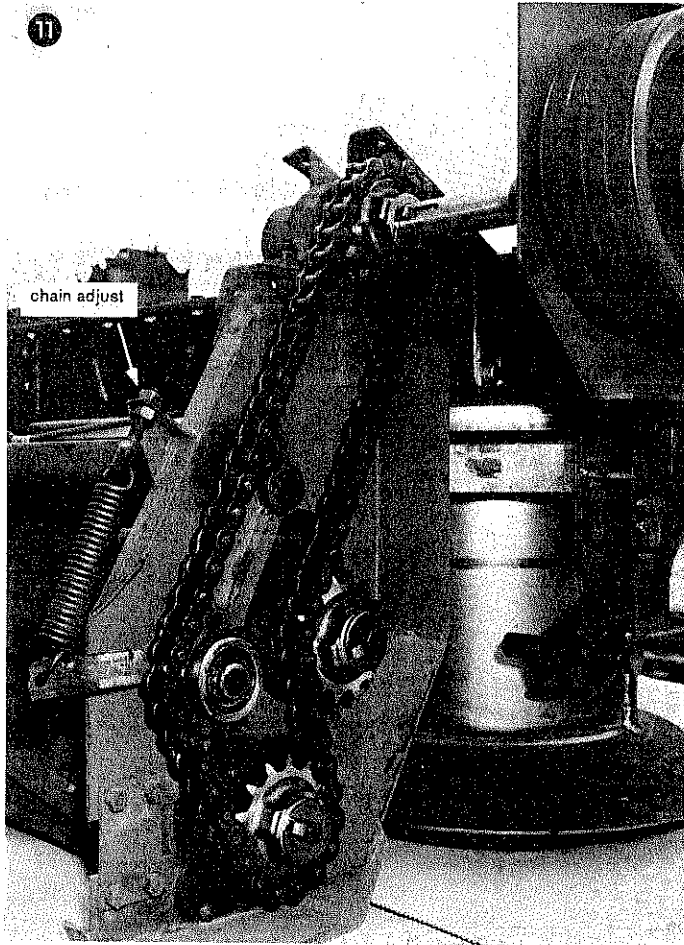


Remove the bolt M 20 (1) and loosen the three cylinder screw M 10 x 35 (2) with tooth washer. Remove saucer manually or by means of mounting gear and readjust to requested cutting height. Put in cylinder screw M 10 x 35 with tooth washer and tighten. Also the bolt M 20 (1) has to be put in again.

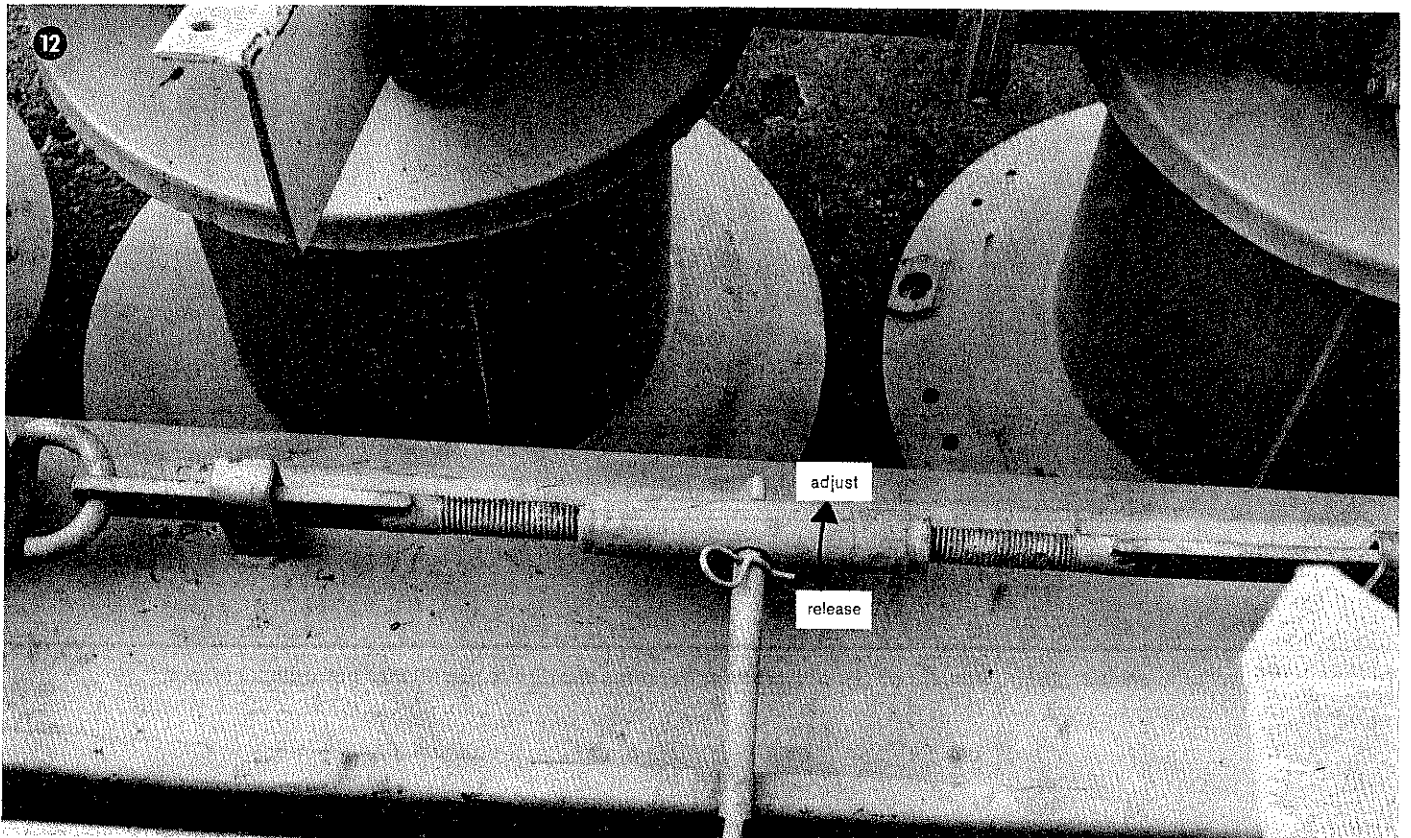
**Important:** If cutting plate is adjusted higher, refill grease.



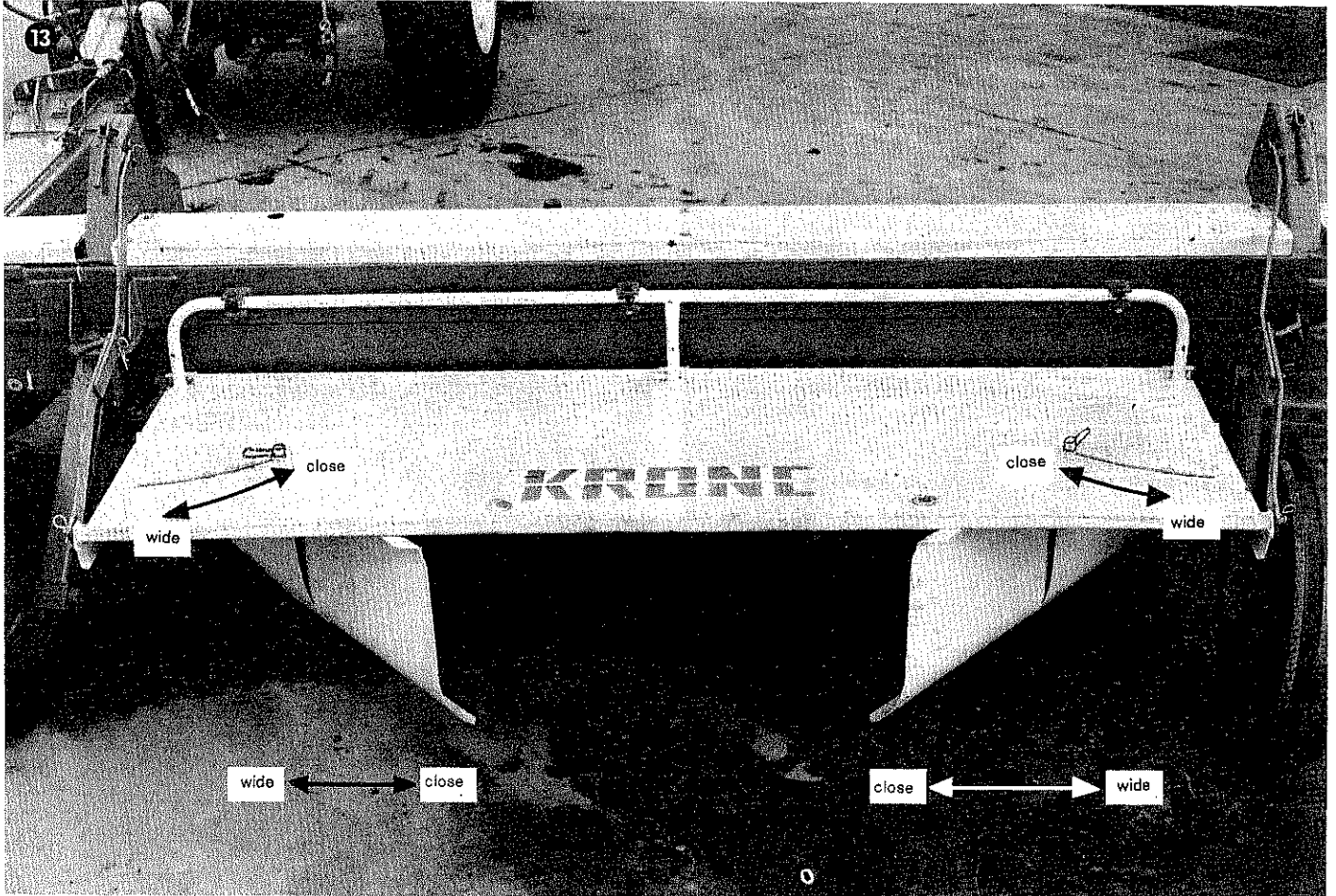
When cutting height is changed, the height of the conditioner should be changed by means of the holes in the side parts. The distance from the ground to the conditioner skids should be at least 2 cm. (13/16").



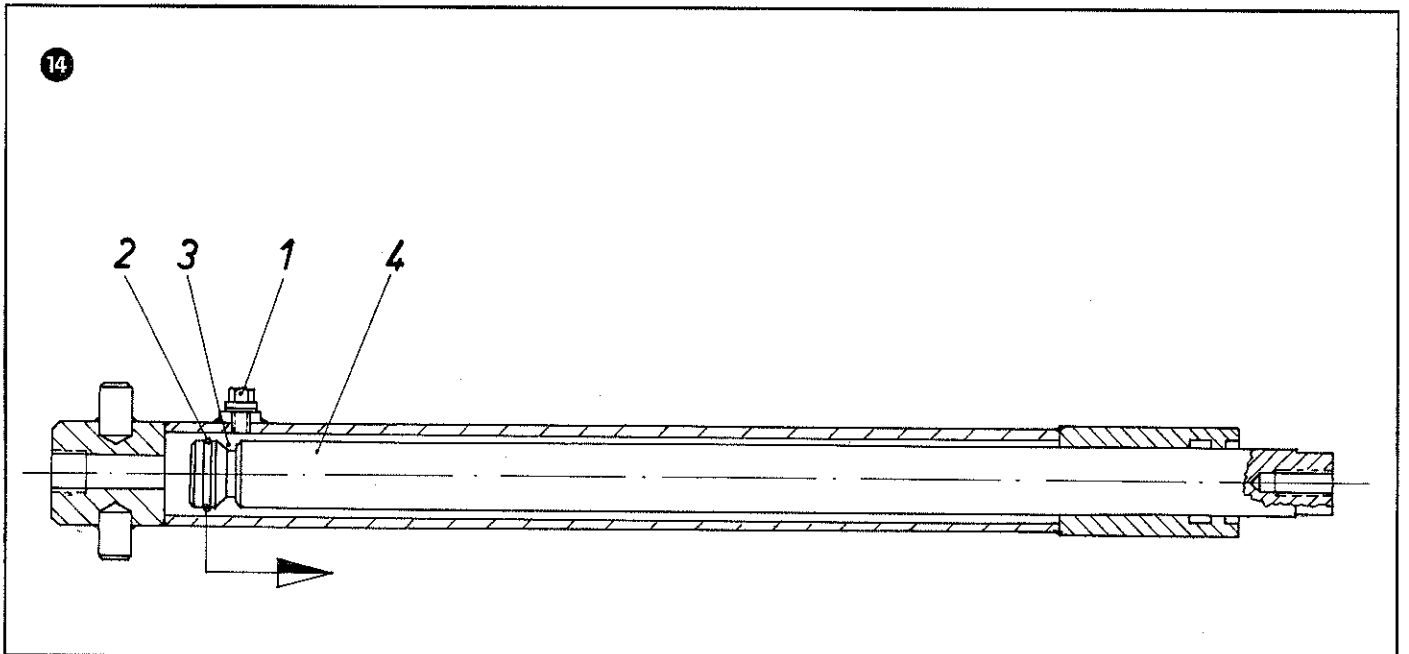
Use the adjustment screw (see picture) to tension the conditioner chain. The chain lock should be installed as shown, in order to prevent the chain from loosening itself.



The pressure of the upper conditioner roll can be adjusted by means of the spindle. The pressure is to be adjusted according to the crop being mowed; it should only be high enough to break the stalk. For crops with soft stalks, use lower pressure; for harder stalks, higher pressure. Keep pressure down in order not to waste driving power.

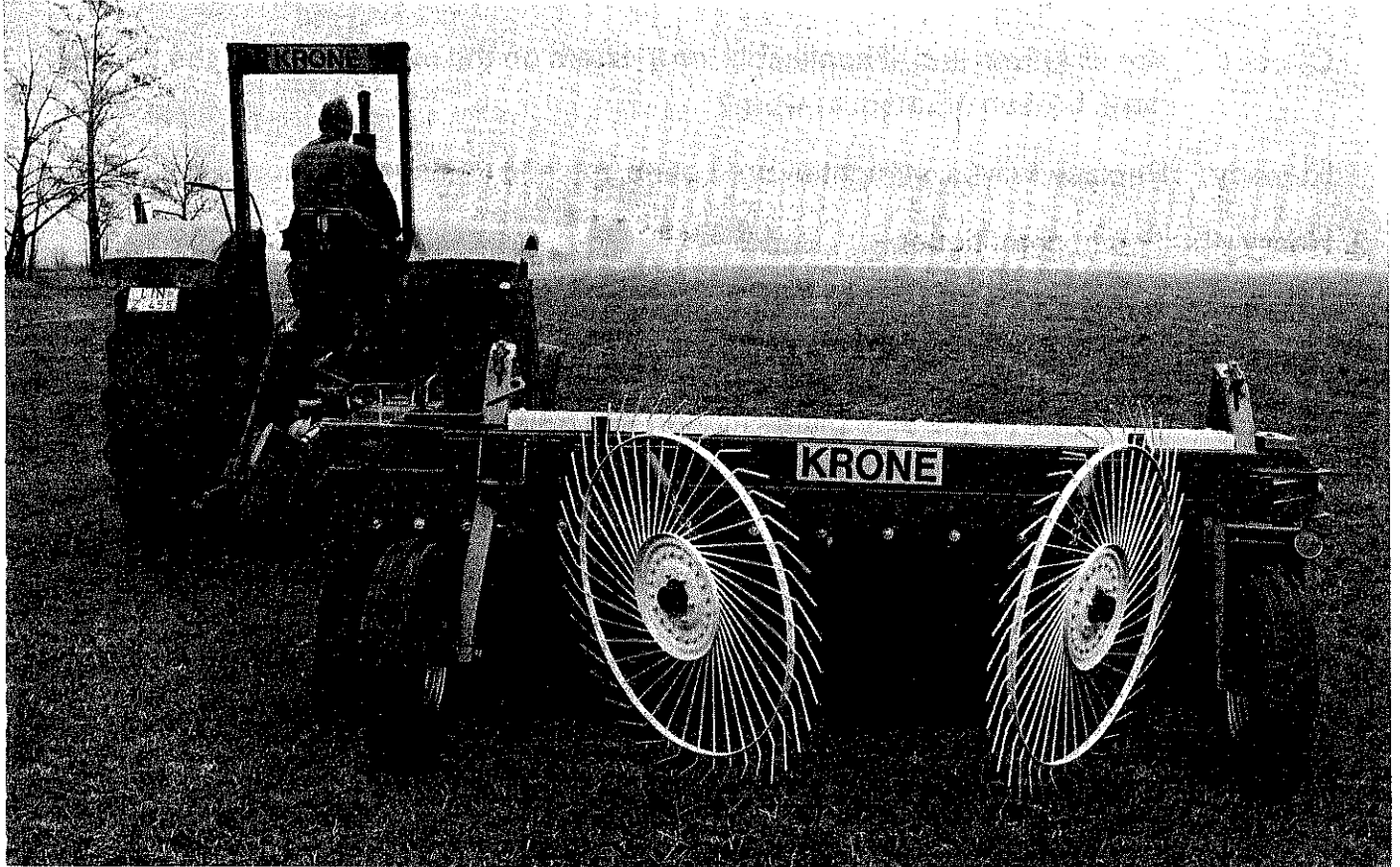


Adjust swath plates to obtain as clear a swath as possible.

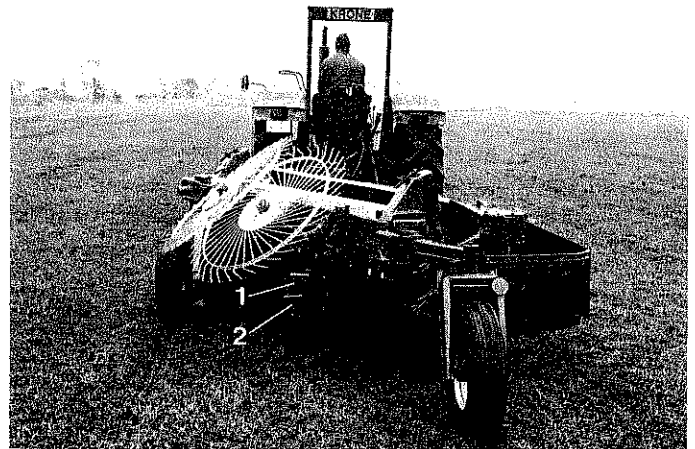
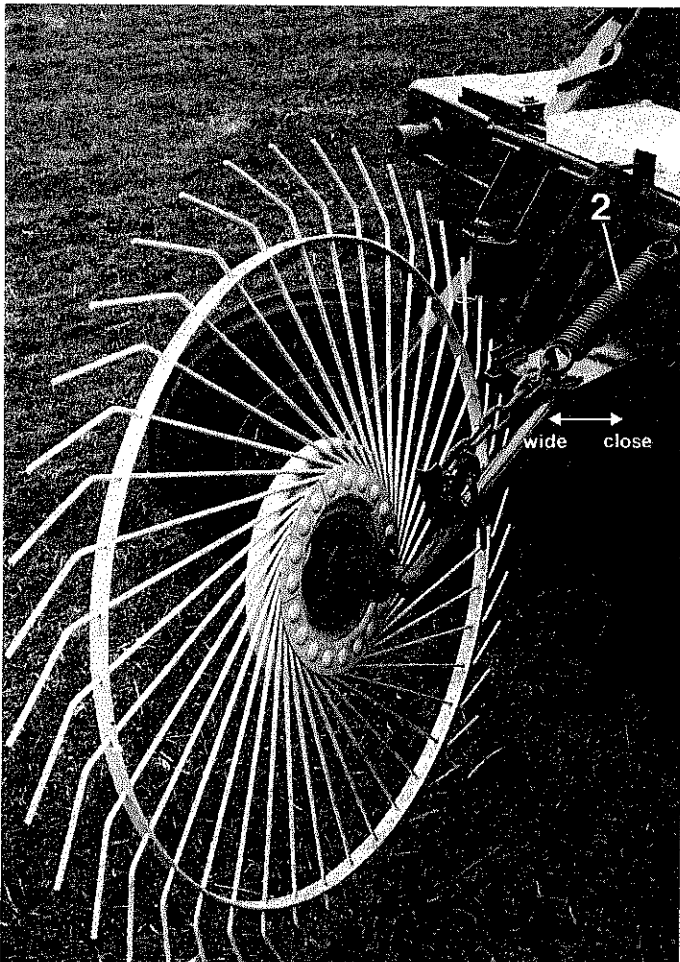


To change the hydraulic cylinder gasket, remove bolt (1). With screw-driver press clip (2) into gap (3) then pull cylinder (4) out.

## Single swath attachment with spider wheels.



Working position



Transport position

1. Adjust swath board to the ground at cutting height adjustment.
2. Guide plate for precision adjustment must be directed to the ground.

1. Regulation of the swath width.
2. Adjust spring so that spider wheel is not too close to the ground.



## Trouble Shooting

### 1. Machine vibrates badly –

Check: Are all knives and, if applicable, crop lifters on the cylinders? Are the knives bent, broken or unequal worn?

Remedy: Replace knives, straighten bent parts, replace damaged cylinders quickly.

### 2. Heavy vibration in conditioner –

Check: Is there a clearance of 1/2 to 1 mm. between the steel roll and the rubber roll? Is one of the rolls bent?

Remedy: Set stops on the side plates higher. **The rolls may not touch each other.** Bent rolls should be straightened on a lathe and checked for concentricity (if necessary, balanced).

### 3. Drive chain on the conditioner is very loud and shows damage –

Check: Are all sprockets aligned?

Remedy: Align sprockets and fasten tightly to their shafts. Check drop oiler.

### 4. Slippage of the V-belts –

Check: Are both the control arms the same length?

Remedy: V-belts must have the same tension in working position and travel position of the cutter bar.

### 5. The conditioner does not pick up all the crop –

Check: Conditioner position.

Remedy: Place conditioner in its closest possible position. Install crop shovels. (However, keep the conditioner position as high as possible, in order to avoid picking up foreign objects). If you adjust cutting height the conditioner are fitting.

### 6. Sticking of the cutting knives –

Check: Whether knives move freely.

Remedy: Move into the crop only at full RPM; lower cutter bar to working position only at full RPM.

### 7. Another cutting height desired - install other mounting plates. Other cutting height by means of height adjustable saucers, otherwise mount other saucers.

### 8. Strips of uncut crop

Remedy: Mow as low as possible. Keep machine at full RPM. Install new knives. Mount cranked blades only at the two central cylinders (blade left - and right hand).

9. Machine runs crooked –

Remedy: Don't swing the draw bar fully out. Take pressure off the cutter bar by means of the suspension springs.

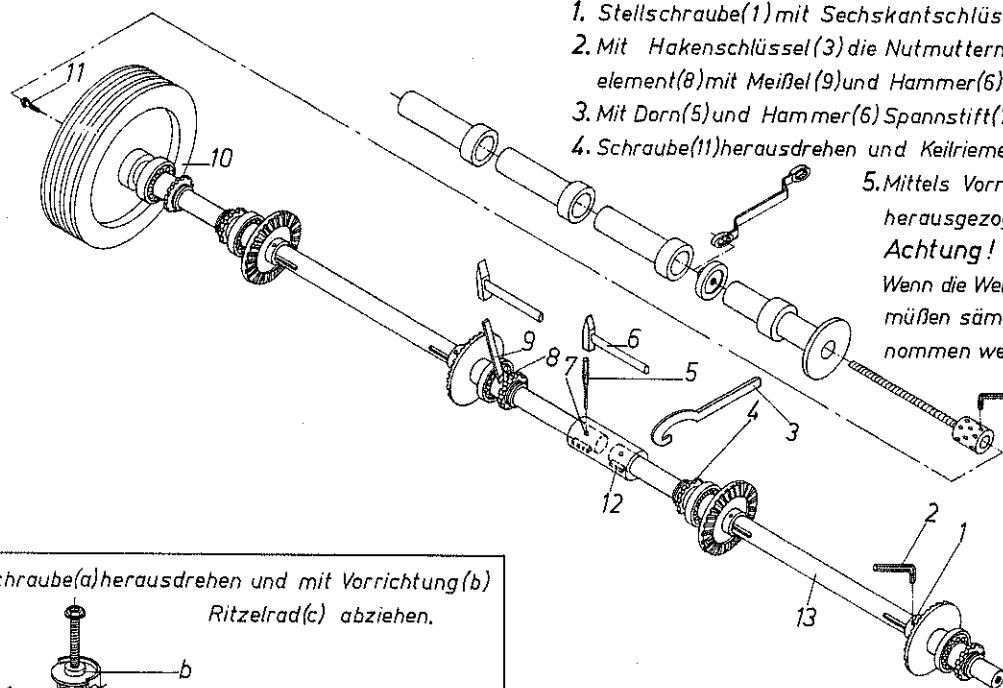
10. Heavy wear on support plates –

Remedy: Take pressure off the cutter bar by means of the suspension springs.

11. Heavy wear on knives and cylinders (especially in stony conditions) –

Remedy: Choose another cutting height (install the higher support plates, 60 mm. or 80 mm.), or adjustment of cutting height by means of adjustable saucers.

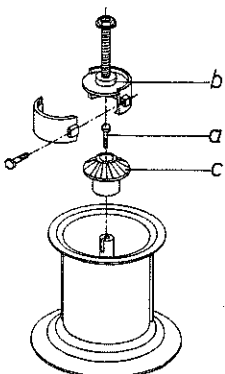
## Detaching



1. Stellschraube(1) mit Sechskantschlüssel (2)herausdrehen.
  2. Mit Hakenschlüssel(3) die Nutmuttern(4)herunterdrehen und Spannungselement(8)mit Meißel(9)und Hammer(6) zurückschlagen.
  3. Mit Dorn(5)und Hammer(6)Spannstift(7)herausschlagen.
  4. Schraube(11)herausdrehen und Keilriemenscheibe(10)abziehen.
  5. Mittels Vorrichtung kann jetzt die Welle (13) herausgezogen werden.
- Achtung!**  
Wenn die Welle ca.100mm herausgezogen ist müssen sämtliche Paßfedern(12) herausgenommen werden.

Part No. 9253200

Schraube(a)herausdrehen und mit Vorrichtung(b) Ritzelrad(c) abziehen.



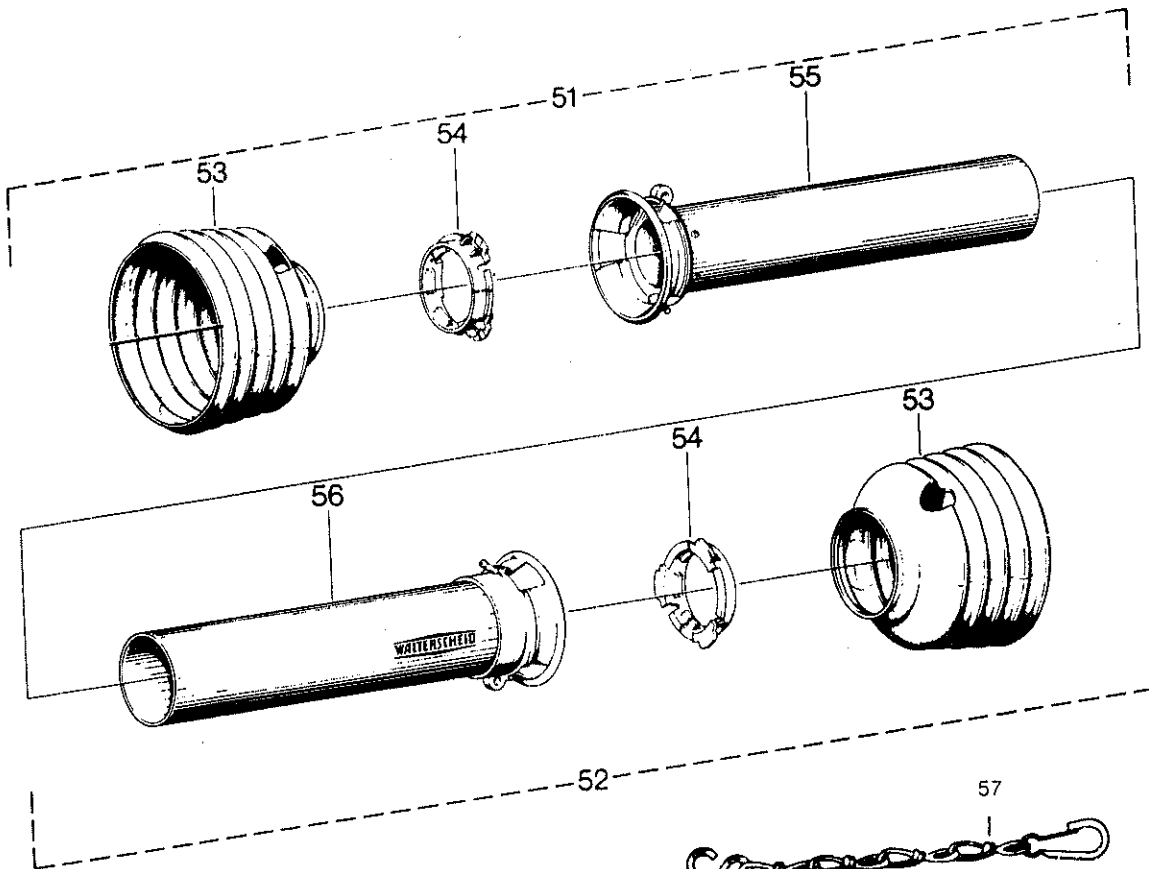
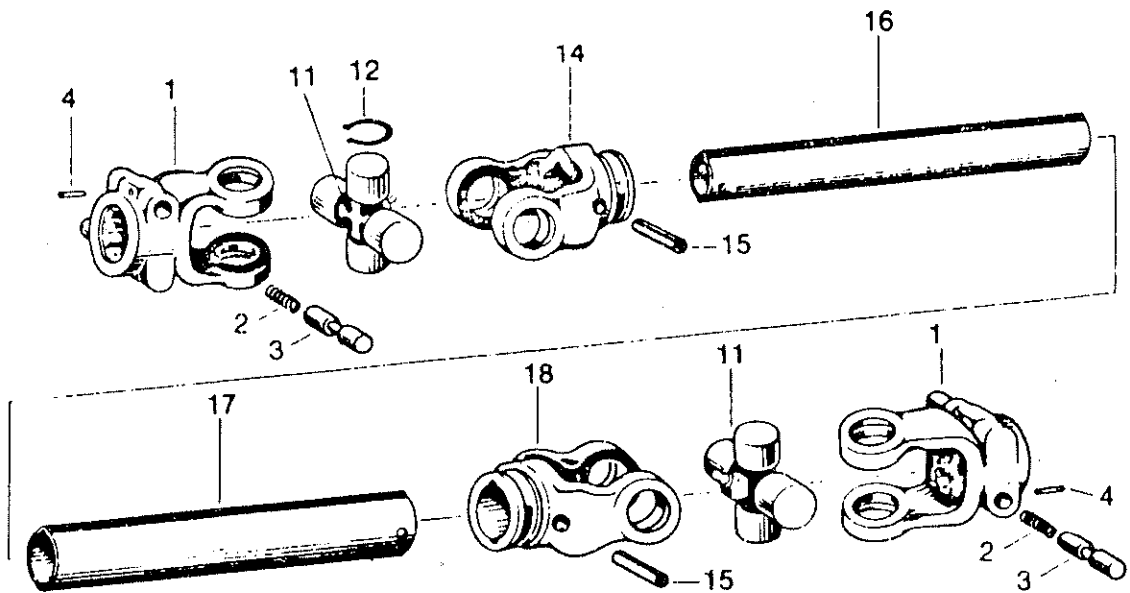
Undo setscrew(a)and pull off pinion(c)with special tool (puller) (b).

1. Undo grub screw(1)with allen key(2).
  2. Undo round nuts with notches(4)with hook key(3)and nock back collar and retainer sleeve(8) hammer(5) and with chisel(9).
  3. Nock out tension pin(7)with hammer(6)and punch(5).
  4. Undo setscrew(11)and pull off V-belt pulley(10).
  5. With special pull tool you are now able to pull out the drive shaft(13).
- Attention!**  
After you have removed the drive shaft about 100mm take out all keys(12).

Part No. 9253210

Gelenkwelle-Antrieb WII; SC 24; 860 M-M für Ackerschienen-Anhängung  
 P. t. o. shaft WII – SC 24; 860 M-M. For drawbar  
 TM 4/270 + TM 4/330

1



67

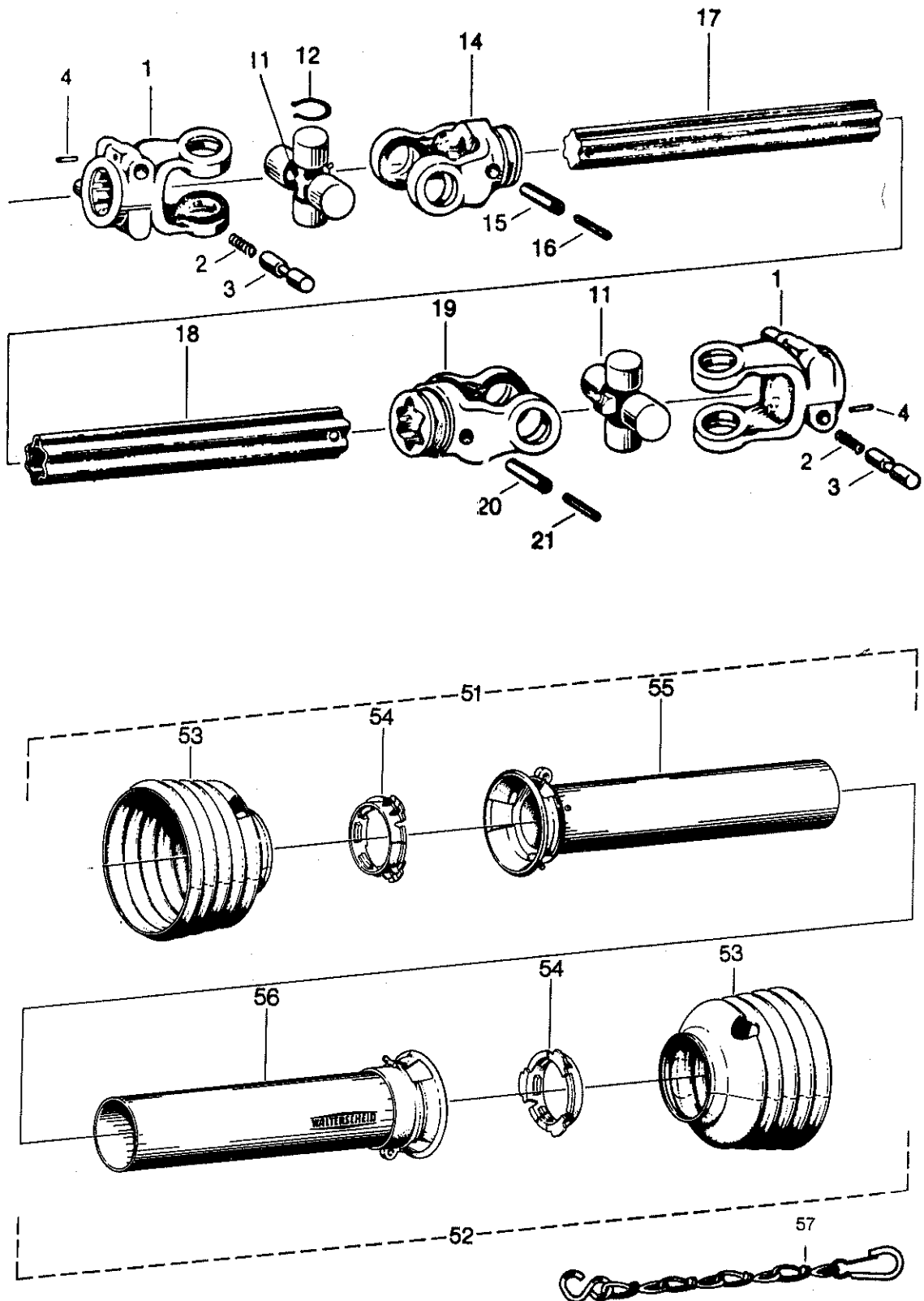
**Gelenkwelle-Antrieb WII; SC 24; 860 M-M für Ackerschienen-Anhängung**  
**P. t. o. shaft WII – SC 24; 860 M-M. For drawbar**  
**TM 4/270 + TM 4/330**

1

Abb. Ill.	Part No. Bestell-Nr.	Bezeichnung	Description
1	949 435 0	Aufsteckgabel mit KNP 1 3/8" DIN 9611 A komplett mit zwei Schiebepstiften	Quick release yoke 1 3/8" cpl. with 2 sliding bolts
2	949 645 0	Druckfeder	Spring
3	949 636 0	Schiebestift	Sliding bolt
4	912 579 0	Spannhülse 4 x 20 DIN 1481	Tension pin 4 x 20 DIN 1481
11	949 431 0	Kreuzgarnitur komplett mit Schmiernippel und 4 Sicherungsringen	Unit pack complete
12	949 432 0	Sicherungsring	Circlip
14	949 439 0	Rillengabel mit Spannhülse- bohrung für Profilrohr 1b GA und Unfallschutz	Yoke with groove and hole for profile Tube 1b GA and guard
15	912 721 0	Spannhülse 10 x 75 DIN 1481	Tension pin 10 x 75 DIN 1481
16	949 750 0	Profilrohr 1b GA mit Spann- hülsebohrung; Länge 720 mm	Profile tube 1b GA with hole for pin; length 720 mm
17	949 769 0	Profilrohr 2a G mit Spann- hülsebohrung; Länge: 720 mm	Profile tube 2a G with hole for pin; length: 720 mm
18	949 443 0	Rillengabel mit Spannhülse- bohrung für Profilrohr 2a G und Unfallschutz	Yoke with groove and hole for profile tube 2a G and guard
51	949 963 0	Innere Schutzhälfte komplett Rohrlänge 660 mm und Schutz- trichter	Inner guard tube complete, state and order no. of the cape
52	949 974 0	Äußere Schutzhälfte komplett, Rohrlänge 665 mm und Schutztrichter	Outer guard tube complete, state length and order no. of the cape
53	955 246 0	Schutztrichter	Cape
54	949 861 0	Gleitring	Sliding ring
55	949 829 0	Innenschutzrohr mit Kappe; Rohrlänge 660 mm	Inner guard tube with collar, length 660 mm
56	949 841 0	Außenschutzrohr mit Kappe; Rohrlänge 665 mm	Outer guard tube with collar, length 665 mm
57	949 852 0	Haltekette	Chain
Ⓜ	949 026 0	Gelenkwelle komplett Bild Nr. von 1 bis 57, Zeichnung Nr. 7519	P. t. o. shaft complete illustr. from 1 including 57, illustr. no. 7519

Gelenkwelle-Antrieb WII, SC 24, 510 M-M für Zugpendel-Anhängung (für Zapfwelldrehzahl 540 und 1000 U/min) - P. t. o. shaft WII, SC 24, 510 M-M for drawbar (for P. t. o. speed 540 and 1000 rpm) - TM 4/270 + TM 4/330

2



67

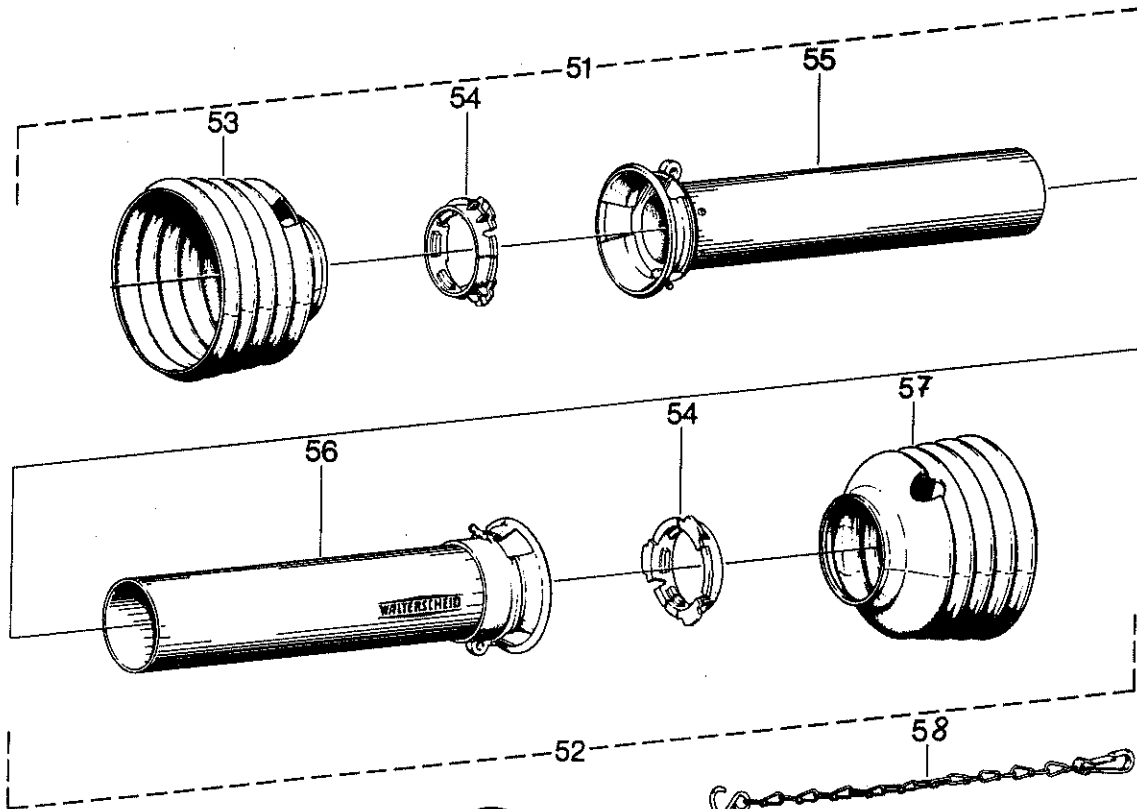
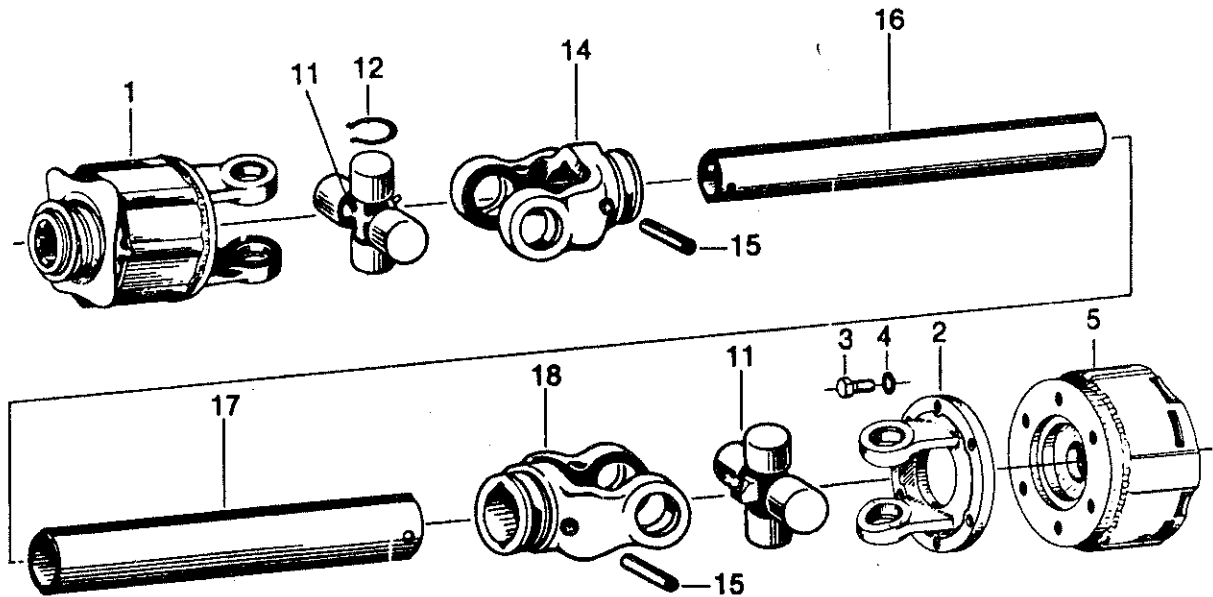
**Gelenkwelle-Antrieb WII, SC 24, 510 M-M für Zugpendel-Anhängung  
(für Zapfwelldrehzahl 540 und 1000 U/min) - P. t. o. shaft WII, SC 24,  
510 M-M for drawbar (for P. t. o. speed 540 and 1000 rpm) - TM 4/270 + TM 4/330**

2

Abb. Ill.	Part No. Bestell-Nr.	Bezeichnung	Description
1	949 434 0	Aufsteckgabel 1 3/8" 6 Keile DIN 9611 A komplett mit zwei Schiebep- stiften (Zapfwellenanschluß 6 Keile)	Quick release yoke 1 3/8" complete 6 keys p. t. o. connection 6 keys
	949 445 0	Aufsteckgabel 1 3/8" 21 Keile DIN 9611 mit einem Schiebepstift (für Zapfwellenanschluß 21 Keile)	Quick release yoke 1 3/8" 21 keys DIN 9611 with 1 sliding bolts (for p. t. o. connection 21 keys)
2	949 645 0	Druckfeder	Spring
3	949 636 0	Schiebestift	Sliding bolt
4	912 579 0	Spannhülse 4 x 20 DIN 1481	Tension pin 4 x 20 DIN 1481
11	949 431 0	Kreuzgarnitur kpl. mit Schmiernippel und 4 Sicherungsringen	Unit pack complete
12	949 432 0	Sicherungsring	Circlip
14	949 440 0	Innengabel für S-Welle GA mit Spannhülsenbohrung und Kugellaufrille für Gelenkwelenschutz	Inner yoke for s. shaft GA with hole for pin and bearing-groove for guard tube
15	912 721 0	Spannhülse 10 x 75 DIN 1481	Tension pin 10 x 75 DIN 1481
16	912 651 0	Spannhülse 6 x 75 DIN 1481	Tension pin 6 x 75 DIN 1481
17	949 681 0	S-Welle GA mit Spannhülsenbohrung; Länge 380 mm	S. shaft GA, with hole for pin length 380 mm
18	949 787 0	S-Rohr mit Spannhülsenbohrung; Länge 370 mm	S. tube with hole for pin, length: 370 mm
19	949 437 0	Innengabel für S-Rohr mit Spannhülsenbohrung und Kugellaufrille für Gelenkwelenschutz	Inner yoke for S-tube with hole for pin and bearing-groove for guard tube
20	912 723 0	Spannhülse 10 x 85 DIN 1481	Tension pin 10 x 85 DIN 1481
21	912 653 0	Spannhülse 6 x 85 DIN 1481	Tension pin 6 x 85 DIN 1481
51	949 954 0	Innere Schutzhälfte kpl. Rohrlänge 300 und Schutztrichter	Inner guard tube, cpl. state length and order no. of the cape
52	949 966 0	Äußere Schutzhälfte kpl. Rohrlänge 305 und Schutztrichter	Outer guard tube, cpl. state length and order no. of the cape
53	949 246 0	Schutztrichter	Cape
54	949 861 0	Gleitring	Ring
55	949 826 0	Innenschutzrohr mit Kappe Rohrlänge 300 mm	Inner guard tube with collar length 300 mm
56	949 837 0	Außenschutzrohr mit Kappe Rohrlänge 305 mm	Outer guard tube with collar length 305 mm
57	949 852 0	Haltekette	Chain
Ⓢ	949 022 0	Gelenkwelle kpl., Abb. 1-57 (für Zapfwellenanschluß 6 Keile) Zeichnung Nr. 7490	P. t. o. shaft cpl., illustr. from no. 1 to 57 (for p. t. o. connection 6 keys) illustr. no. 7490
	949 023 0	Gelenkwelle kpl., Abb. 1b, 2-57 (für Zapfwellenanschluß 21 Keile) Zeichnung Nr. 7491	P. t. o. shaft cpl., illustr. 1b, 2-57 (for P. t. o. connection 21 keys) illustr. no. 7491

Zwischengelenkwelle; WII-F3-K92/4-SC 24, 800 M-M  
Intermediate P. t. o. shaft WII-F3-K92/4-SC 24, 800 M-M  
TM 4/270 + TM 4/330

3



67

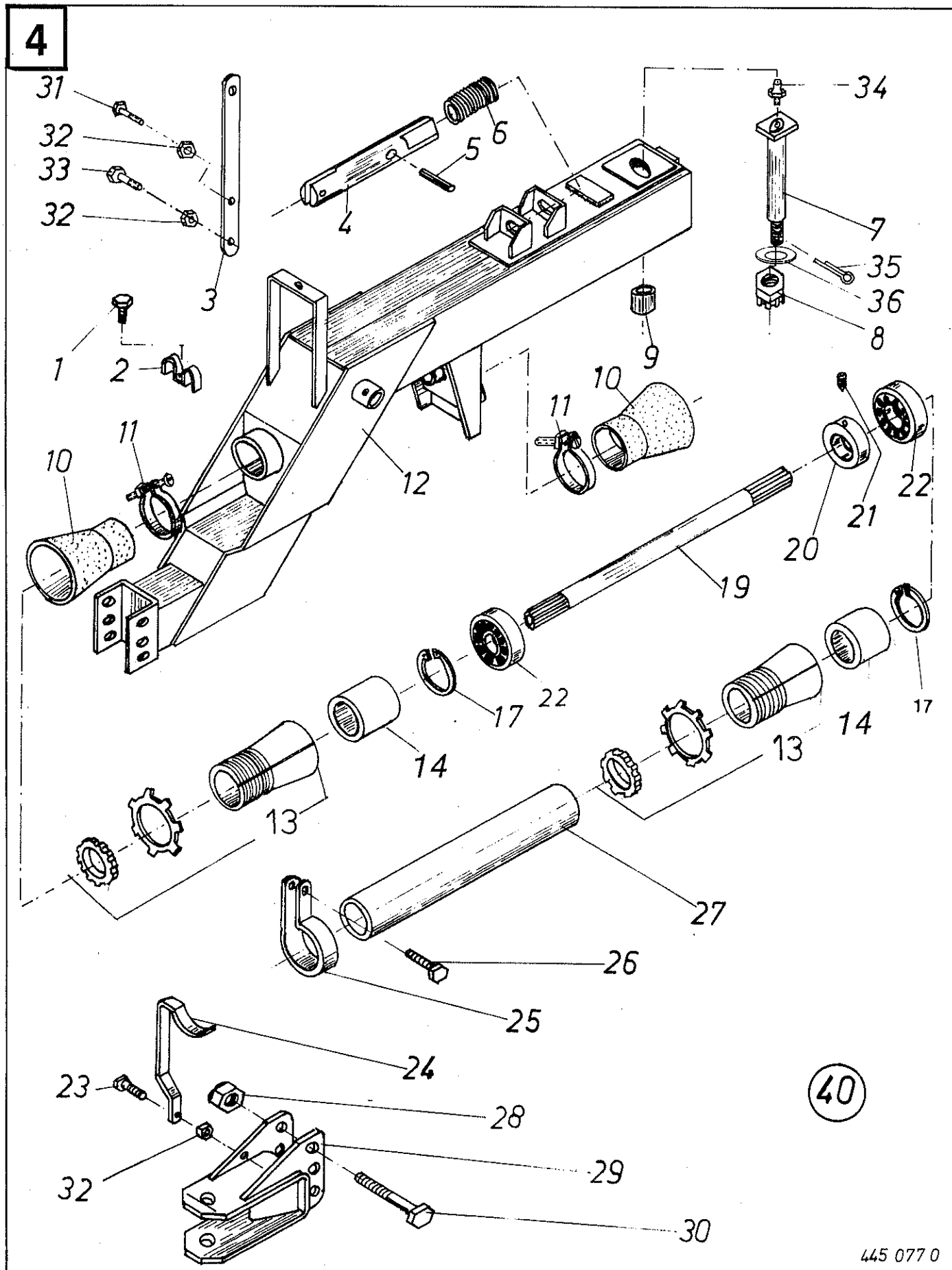
**Zwischengelenkwelle; WII-F3-K92/4-SC 24, 800 M-M**  
**Intermediate P. t. o. shaft WII-F3-K92/4-SC 24, 800 M-M**  
**TM 4/270 + TM 4/330**

3

Abb. Ill.	Part No. Bestell-Nr.	Bezeichnung	Description
1	949 578 0	Stiftfreilauf F3 mit KNP 1 3/8" DIN 9611 A und Ziehverschluß	Freewheel unit F3, 1 3/8", DIN 9611 A with pull type lock
2	949 540 0	Flanschgabel Ø 136	Flanged yoke Ø 136
3	900 636 0	Skt.-Schraube M 10 x 25 DIN 933	Bolt M 10 x 25 DIN 933
4	910 011 0	Federring B 10 DIN 127	Spring washer B 10 DIN 127
5	949 583 0	Scheibenkupplung K 92/4 mit KNP 1 3/8" DIN 9611 A und Ziehverschluß; MdE 135 kpm	Disc clutch K 92/4 1 3/8" DIN 9611 A with pull type lock
11	949 431 0	Kreuzgarnitur kpl. mit Schmiernippel und 4 Sicherungsringen	Unit pack complete
12	949 432 0	Sicherungsrings	Circlip
14	949 439 0	Innengabel für Profil 1b GA mit Spannhülsenbohrung u. Kugellaufrihle für Gelenkwellenschutz	Inner yoke for profile 1 b GA with hole for pin and bearing groove guard
15	912 721 0	Spannhülse 10 x 75 DIN 1481	Tension pin 10 x 75 DIN 1481
16	949 749 0	Profil 1b GA m. Spannhülsenbohrung; Länge: 675 mm	Profile 1b GA with hole for pin; length: 675 mm
17	949 757 0	Profil 2a G m. Spannhülsenbohrung; Länge: 660 mm	Profile 2a G with hole for pin; length: 660 mm
18	949 443 0	Innengabel für Profil 2a G mit Spannhülsenbohrung und Kugellaufrihle für Gelenkwellenschutz	Inner yoke for profile 2a G with hole for pin and bearing groove for guard
51	949 963 0	Innere Schutzhälfte kpl. Rohrlänge 605	Inner guard tube cpl. Length 605
52	949 973 0	Äußere Schutzhälfte kpl. Rohrlänge 605	Outer guard tube cpl. length 605
53	955 250 0	Schutztrichter	Cape
54	949 861 0	Gleitring	Ring
55	949 829 0	Innenschutzrohr mit Kappe Rohrlänge 605 mm	Inner guard tube with collar, length 605 mm
56	949 841 0	Außenschutzrohr mit Kappe Rohrlänge 605 mm	Outer guard tube with collar, length 605 mm
57	955 248 0	Schutztrichter	Cape
58	949 852 0	Haltekette	Chain
Ⓢ	949 093 0	Gelenkwelle kpl., Zeichnung Nr. 7492 Bild-Nr. 1-60	P. t. o. shaft cpl., illustr. no. 7492 illustr. no. 1 to 60



Deichsel mit Antriebswelle  
 Drawbar with drive shaft  
 TM 4/270 + TM 4/330



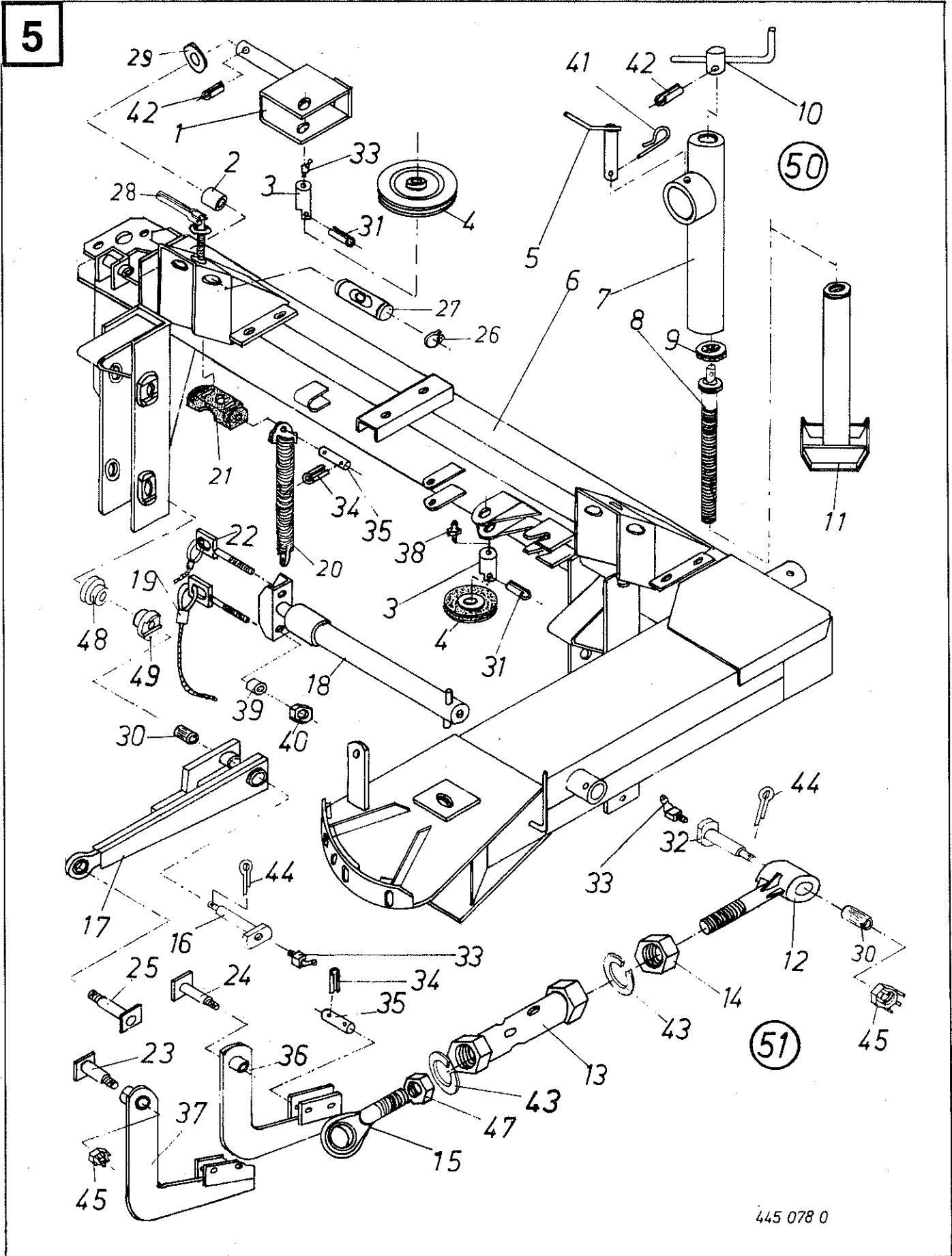
445 077 0

**Deichsel mit Antriebswelle**  
**Drawbar with drive shaft**  
**TM 4/270 + TM 4/330**



Abb. Ill.	Part No. Bestell-Nr.	Bezeichnung	Description
1	900 254 0	Schraube M 8 x 16 DIN 933	Bolt M 8 x 16 DIN 933
2	147 117 0	Schlauchklemme	Hose clamp
3	147 119 0	Zughebel 30 x 8 x 405	Lever 30 x 8 x 405
4	147 114 0	Schnäpperbolzen Ø 30 x 210	Latch bolt Ø 30 x 210
5	912 646 0	Spannhülse 6 x 50	Tension pin 6 x 50
6	147 209 0	Druckfeder 4,5 x Ø 40 x 72	Coil spring 4,5 x Ø 40 x 72
7	147 133 0	Lagerbolzen Ø 35 x 227	Pivot axle Ø 35 x 227
8	908 935 0	Kronenmutter M 30 x 1,5	Castellated nut M 30 x 1,5
9	147 326 0	Buchse Ø 45 x 50	Bushing Ø 45 x 50
10	955 320 0	Schutztrichter 82.84.04	Drive shaft guard 82.84.04
11	955 321 0	Spannband für Gelenkwellenschutz	Strap for drive shaft guard
12	147 328 0	Deichsel	Drawbar
13	935 805 0	Spannelement H 308 kpl.	Locking unit H 308 cpl.
14	137 113 0	Feststellring	Collar
17	911 673 0	Seegering J 80 x 2,5	Circlip J 80 x 2,5
19	147 110 1	Antriebswelle Ø 35 x 1000	Drive shaft (input) Ø 35 x 1000
20	137 182 0	Stellring Ø 35 x 50	Collar Ø 35 x 50
21	905 752 0	Gewindestift AM 10 x 8	Turn pin AM 10 x 8
22	930 567 0	Kugellager 6307 2 RS oder 6307 LLU	Ball bearing 6307 2 RS or 6307 LLU
23	900 282 0	Schraube M 10 x 35	Bolt M 10 x 35
24	147 205 0	Gelenkwellenhalter	Holder for drive shaft
25	924 113 0	Rohrschelle	Guard tube holder
26	900 257 0	Schraube M 8 x 20 mit Mutter	Bolt M 8 x 20 with nut
27	441 095 0	Schutzrohr	Guard tube
28	908 721 0	Mutter M 20 selbstsichernd DIN 980	Nut M 20 irreversible DIN 980
29	147 193 2	Zugmaul	Hitch mouth
30	900 389 0	Schraube M 20 x 130 DIN 931	Bolt M 20 x 130 DIN 931
31	901 062 0	Schraube M 10 x 50 DIN 931	Bolt M 10 x 50 DIN 931
32	908 012 0	Mutter M 10 DIN 934	Nut M 10 DIN 934
33	901 060 0	Schraube M 10 x 40 DIN 931	Bolt M 10 x 40 DIN 931
34	919 003 0	Schmiernippel H 1/S 9/Sechskant	Grease nipple H 1/S 9/hexagonal
35	912 093 0	Splint 5 x 63 DIN 94	Tension pin 5 x 63 DIN 94
36	910 515 0	Scheibe 30 x 50 x 4 DIN 126	Round plate 30 x 50 x 4 DIN 126
Ⓔ	147 107 2	Deichsel kpl., Abb. 1-36	Drawbar cpl., illustr. no. 1-36

Tragholm, Steuerarme, Zylinder, Seile, Stützfuß  
 Carrier beam, control arms, hydraulic ram, cables, parking stand  
 TM 4/270 + TM 4/330



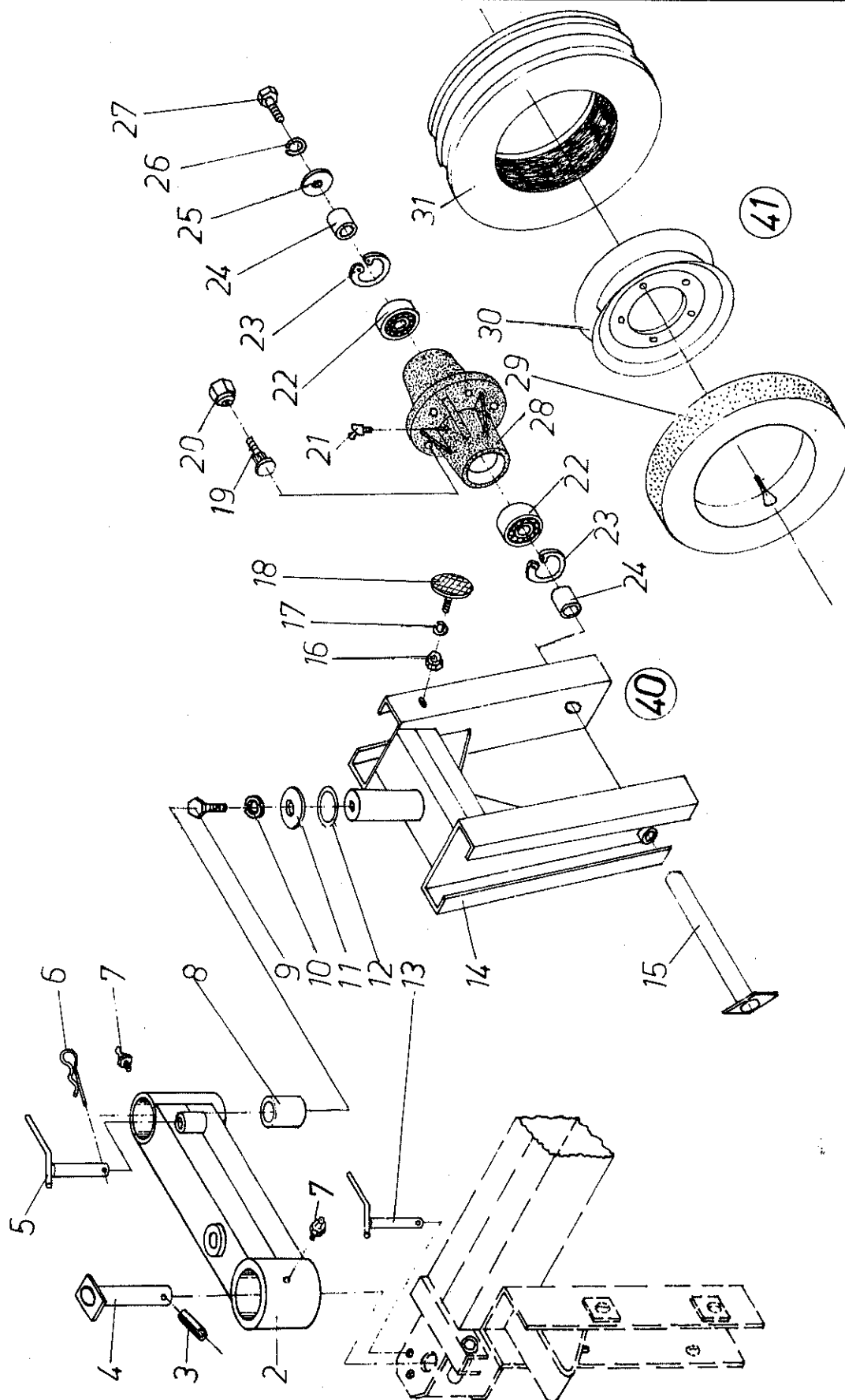
**Tragholm, Steuerarme, Zylinder, Seile, Stützfuß**  
**Carrier beam, control arms, hydraulic ram, cables, parking stand**  
**TM 4/270 + TM 4/330**

**5**

Abb. Ill.	Part No. Bestell-Nr.	Bezeichnung	Description
1	147 342 0	Pendelrollenhalter links	Pivot bracket for roller left
	147 343 0	Pendelrollenhalter rechts	Pivot bracket for roller right
2	147 339 0	Buchse für Pendelrolle $\varnothing 25 \times \varnothing 30 \times 30$	Bushing for pivot bracket $\varnothing 25 \times \varnothing 30 \times 30$
3	147 069 0	Bolzen für Seilrolle $\varnothing 25 \times 78$	Axle for roller $\varnothing 25 \times 78$
4	147 032 0	Seilrolle $\varnothing 120$	Roller $\varnothing 120$
5	147 317 0	Steckbolzen für Stützfuß $\varnothing 20 \times 96$	Pin for parking stand $\varnothing 20 \times 96$
6	147 004 4	Tragholm (TM 4/270)	Carrier beam (TM 4/270)
	148 024 2	Tragholm (TM 4/330)	Carrier beam (TM 4/330)
7	954 026 0	Außenrohr für Stützfuß, 465 mm lang	Outer sleeve for parking stand, length 465 mm
8	954 052 0	Spindel für Stützfuß	Threaded spindle
9	933 504 0	Axial-Rillenkugellager 51104	Groove roller bearing 51104
10	954 053 0	Kurbel für Stützfuß	Handle
11	954 020 0	Stützfuß	Stand
12	147 269 0	Gewindestück für Steuerarm links (tragholmseitig) M 30	Threaded piece for control arm left, at carrier beam end M 30
13	147 350 0	Spannschloßmutter M 30	Threaded tube M 30
14	908 039 0	Mutter M 30	Nut M 30
15	923 231 0	Gewindestück für Steuerarm links (mähholmseitig) M 30 Linksgewinde	Threaded piece for control arm left, at cutter bar end M 30 lefthand thread
16	907 412 0	Lagerbolzen für Steuerarm rechts (tragholmseitig) F 546.030.125	Pin for control arm, right, at carrier beam end F 546.030.125
17	147 087 2	Steuerarm rechts	Control arm right
18	921 340 0	Hydraulikzylinder komplett DSK-D 4450 Ferg.	Complete hydraulic arm DSK-D 4450 Ferg.
19	147 136 0	Verstellerschraube mit langem Seil 3340 mm (ca. 131") (TM 4/270)	Adjusting screw with cable, 3340 mm (ca. 131") (TM 4/270)
	148 049 0	Verstellerschraube mit langem Seil 3734 mm (ca. 147") (TM 4/330)	Adjusting screw with cable, 3734 mm (ca. 147") (TM 4/330)
20	250 123 0	Entlastungsfeder mit Lasche für TM 4/270 Knickzetter $\varnothing 7 \times \varnothing 56 \times 450$ innen Bohrungsglasche	Suspension spring with tongue for TM 4/270 with conditioner $\varnothing 7 \times \varnothing 56 \times 450$ inner tongue bore
	147 291 0	Entlastungsfeder mit Lasche für TM 4/270 ohne Knickzetter $\varnothing 6,3 \times \varnothing 55 \times 430$ innen Bohrungsglasche	Suspension spring with tongue for TM 4/270 without conditioner $\varnothing 6,3 \times \varnothing 55 \times 430$ inner tongue bore
	252 024 0	Entlastungsfeder mit Lasche für TM 4/330 Knickzetter $\varnothing 7,5 \times \varnothing 56 \times 480$ innen Bohrungsglasche	Suspension spring with tongue for TM 4/330 with conditioner $\varnothing 7,5 \times \varnothing 56 \times 480$ inner tongue bore
	148 048 0	Entlastungsfeder mit Lasche für TM 4/330 ohne Knickzetter $\varnothing 6,8 \times \varnothing 56 \times 440$ innen Bohrungsglasche	Suspension spring with tongue for TM 4/330 without conditioner $\varnothing 6,8 \times \varnothing 56 \times 440$ inner tongue bore
21	147 270 0	Federspannbügel (mit Gewinde Tr. 20 x 3)	Cocking lever for spring (with thread Tr. 20 x 3)
22	147 355 0	Verstellerschraube mit kurzem Seil 1560 mm (ca. 61") für TM 4/270 + TM 4/330	Adjusting screw with short cable length 1560 mm (ca. 61") for TM 4/270 and TM 4/330
23	147 359 0	Lagerbolzen für Steuerarm mähholmseitig rechts unten $\varnothing 25 \times 132$ mm lang (Gewinde M 24 x 1,5)	Pivot control arm at cutter bar end lower at right hand side $\varnothing 25 \times 132$ mm length (thread M 24 x 1,5)
24	147 358 0	Lagerbolzen für Steuerarm TM 4/270 mähholmseitig links unten $\varnothing 25 \times 147$ mm lang (Gewinde M 24 x 1,5)	Pivot for control arm at cutter bar TM 4/270 end lower at left hand side $\varnothing 25 \times 147$ mm length (thread M 24 x 1,5)
	147 357 0	Lagerbolzen für Steuerarm TM 4/330 mähholmseitig links unten $\varnothing 25 \times 162$ (Gewinde M 24 x 1,5)	Pivot for control arm at cutter bar TM 4/330 end lower at left hand side $\varnothing 25 \times 162$ (thread M 24 x 1,5)
25	147 089 1	Lagerbolzen für Steuerarm mähholmseitig rechts und links oben $\varnothing 25 \times 107$ mm lang (Gewinde M 24 x 1,5)	Pivot control arm at cutter bar end upper at right and left hand side $\varnothing 25 \times 107$ mm length (thread M 24 x 1,5)
26	911 541 0	Seegerring A 35 x 1,5	Circlip A 35 x 1,5
27	147 243 0	Bolzen für Spindel $\varnothing 35 \times 94$	Pin for spindle $\varnothing 35 \times 94$
28	147 360 0	Spindel Trapez-Gew. 20 x 3	Threaded spindle trapezoid turn 20 x 3
29	441 097 0	Rotgußscheibe $\varnothing 25,5 \times \varnothing 40 \times 5$	Round plate $\varnothing 25,5 \times \varnothing 40 \times 5$
30	441 029 0	Rotgußbuchse $\varnothing 30 \times \varnothing 36 \times 30$	Bushing $\varnothing 30 \times \varnothing 36 \times 30$
31	912 646 0	Spannstift 6 x 50	Tension pin 6 x 50
32	907 409 0	Lagerbolzen F 546.030.095	Pivot F 546.030.095
33	919 103 0	Schmiernippel H 2 S 9/Sechskant	Grease nipple H 2 S 9/hexagonal
34	912 613 0	Spannstift 5 x 30	Tension pin 5 x 30
35	147 274 0	Bolzen für Federhalterung $\varnothing 16 \times 45$	Pin for suspension $\varnothing 16 \times 45$
36	147 271 0	Ausgleich für Feder links	Levelling for spring left
37	147 362 0	Ausgleich für Feder rechts	Levelling for spring right
38	919 003 0	Schmiernippel H 1 S 9/Sechskant	Grease nipple H 1 S 9/hexagonal
39	147 166 0	Distanzrohr 3/4" x 12 für Aufzugseil	Spacer bushing 3/4" x 12 for cable
40	908 020 0	Mutter M 16 DIN 934	Nut M 16 DIN 934
41	917 104 0	Federstecker	Spring clip
42	912 674 0	Spannstift 8 x 40	Tension pin 8 x 40
43	910 120 0	Federring A 30 DIN 128	Spring washer A 30 DIN 128
44	912 069 0	Splint 4 x 40	Split 4 x 40
45	908 927 0	Kronenmutter M 24 x 1,5 DIN 937	Castellated nut M 24 x 1,5 DIN 937
47	908 139 2	Mutter M 30 Linksgewinde	Nut M 30 lefthand thread
48	147 307 0	Buchse $\varnothing 30 \times \varnothing 45$	Bushing $\varnothing 30 \times \varnothing 45$
49	147 306 0	Buchse mit Schlitz $\varnothing 30 \times \varnothing 45$	Bushing with groove $\varnothing 30 \times \varnothing 45$
⑤⑥	954 009 0	Stützfuß kpl., Abb. 7-11, 42	Parking stand cpl. illustr. no. 7-11, 42
⑤⑦	147 094 3	Steuerarm kpl., Abb. 12-15, 30, 43, 46, 47	Control arm, illustr. no. 12-15, 30, 43, 46, 47

Schwenkrad (rechts)  
Turning wheel (right)  
TM 4/270 + TM 4/330

6



445 079 0

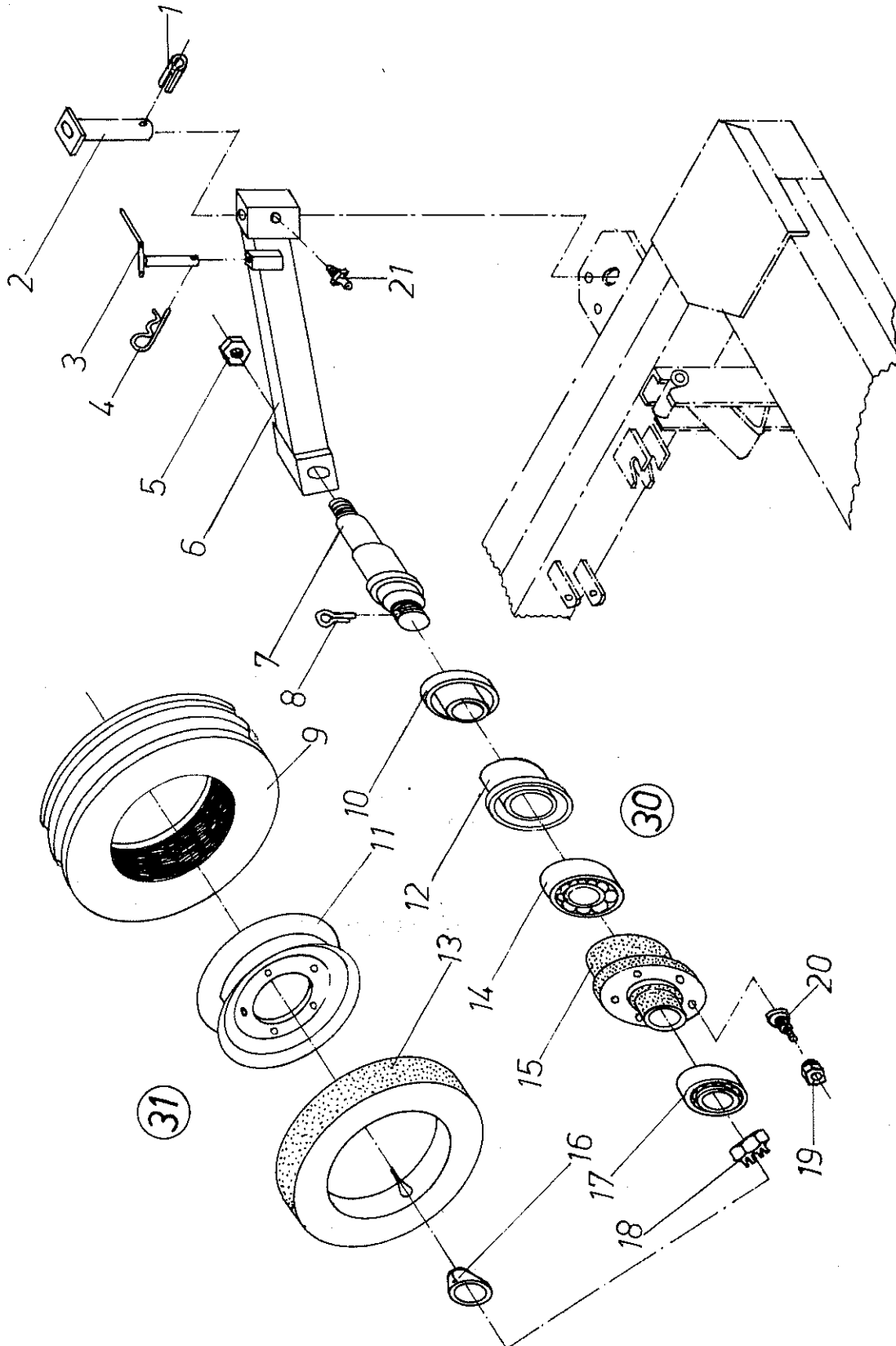
**Schwenkrad (rechts)**  
**Turning wheel (right)**  
**TM 4/270 + TM 4/330**



Abb. Ill.	Part No. Bestell-Nr.	Bezeichnung	Description
2	147 162 1	Schwenkholm	Wheel carrier beam
3	912 676 0	Spannstift 8 x 50	Tension pin 8 x 50
4	147 073 0	Lagerbolzen $\varnothing$ 35 x 190	Pivot pin $\varnothing$ 35 x 190
5	147 313 0	Steckbolzen $\varnothing$ 20 x 131	Pin $\varnothing$ 20 x 131
6	917 104 0	Federstecker 4 DIN 11024	Spring clip 4 DIN 11024
7	919 003 0	Schmiernippel H 1 S 9/Sechskant	Grease nipple H 1 S 9/hexagonal
8	934 939 0	Buchse $\varnothing$ 50 x $\varnothing$ 55 x 60	Bushing $\varnothing$ 50 x $\varnothing$ 55 x 60
9	900 337 0	Schraube M 16 x 40	Bolt M 16 x 40
10	910 014 0	Federring B 16 DIN 127	Spring washer B 16 DIN 127
11	910 647 0	Scheibe $\varnothing$ 17 x $\varnothing$ 70 x 8	Round plate $\varnothing$ 17 x $\varnothing$ 70 x 8
12	441 098 0	Rotgußscheibe $\varnothing$ 50 x $\varnothing$ 70 x 5	Round plate $\varnothing$ 50 x $\varnothing$ 70 x 5
13	147 315 0	Steckbolzen $\varnothing$ 20 x 155	Pin $\varnothing$ 20 x 155
14	147 160 1	Radgabel für Reifen 7.00-12 (TM 4/270)	Wheel fork for tyre 7.00-12 (TM 4/270)
	148 051 0	Radgabel für Reifen 10/80-12 (TM 4/330)	Wheel fork for tyre 10/80-12 (TM 4/330)
15	147 156 0	Radwelle $\varnothing$ 30 x 269 (TM 4/270)	Wheel axle $\varnothing$ 30 x 269 (TM 4/270)
	148 052 0	Radwelle $\varnothing$ 30 x 339 (TM 4/330)	Wheel axle $\varnothing$ 30 x 339 (TM 4/330)
16	908 008 0	Mutter M 6 DIN 934	Nut M 6 DIN 934
17	910 008 0	Federring B 6 DIN 127	Spring washer B 6 DIN 127
18	924 535 0	Rückstrahler Bestell-Nr. 600c $\varnothing$ 75 mm	Reflector Part Order No. 600c $\varnothing$ 75 mm
19	910 252 0	Radbolzen M 14 x 1,5 x 40 lang mit 10 mm Rändelansatz	Wheel stud M 14 x 1,5 x 40 long
20	910 223 0	Kugelbundmutter A 14 x 1,5 DIN 74361	Nut A 14 x 1,5, DIN 74361
21	919 103 0	Schmiernippel H 2 S 9/Sechskant	Grease nipple H 2 S 9/hexagonal
22	930 436 0	Kugellager 6206 1 RS	Ball bearing 6206 1 RS
23	911 659 0	Seegerring J 62 x 2	Circlip J 62 x 2
24	147 158 0	Distanzbuchse $\varnothing$ 32 x $\varnothing$ 44,5 x 33 (TM 4/270)	Spacer-bushing $\varnothing$ 32 x $\varnothing$ 44,5 x 33 (TM 4/270)
	148 054 0	Distanzbuchse $\varnothing$ 32 x $\varnothing$ 44,5 x 68 (TM 4/330)	Spacer-bushing $\varnothing$ 32 x $\varnothing$ 44,5 x 68 (TM 4/330)
25	910 643 0	Scheibe $\varnothing$ 14 x $\varnothing$ 40 x 4	Round plate $\varnothing$ 14 x $\varnothing$ 40 x 4
26	910 012 0	Federring B 12	Spring washer B 12
27	900 296 0	Schraube M 12 x 25	Bolt M 12 x 25
28	147 155 2	Radnabe Guß	Wheel hub
29	953 303 0	Schlauch 7.00-12 AM (TM 4/270)	Tube 7.00-12 AM (TM 4/270)
	953 304 0	Schlauch 10.0/80-12 (TM 4/330)	Tube 10.0/80-12 (TM 4/330)
30	953 103 0	Felge 4.25-12 (TM 4/270)	Rim 4.25-12 (TM 4/270)
	953 104 0	Felge 7.00-12 (TM 4/330)	Rim 7.00-12 (TM 4/330)
31	953 203 0	Reifen 7.00-12 T 7 (4 ply) (TM 4/270)	Tyre 7.00-12 T 7 (4 ply) (TM 4/270)
	953 204 0	Reifen 10.0/80-12 T 7 (4 ply) (TM 4/330)	Tyre 10.0/80-12 T 7 (4 ply) (TM 4/330)
⑩	147 376 0	Radgabel mit Reifen komplett (Abb. 14, 15, 19-31)	Wheel fork with tyre complete (illustr. 14, 15, 19 to 31)
	148 055 0	Radgabel mit Reifen komplett (TM 4/330) (Abb. 14a, 15a, 19-28, 29a, 31a)	Wheel fork with tyre complete (illustr. 14a, 15a, 19-28, 29a-31a)
⑪	953 003 0	Reifen, Schlauch und Felge kpl. aufgezogen (Abb. 29-31)	Tyre, tube and rim complete (illustr. 29-31)
	953 004 0	Reifen, Schlauch und Felge kpl. aufgezogen (TM 4/330) (Abb. 29a-31a)	Tyre, tube and rim complete (illustr. 29a-31a)

Spurrad (links)  
Track wheel (left)  
TM 4/270 + TM 4/330

7



445 080 0

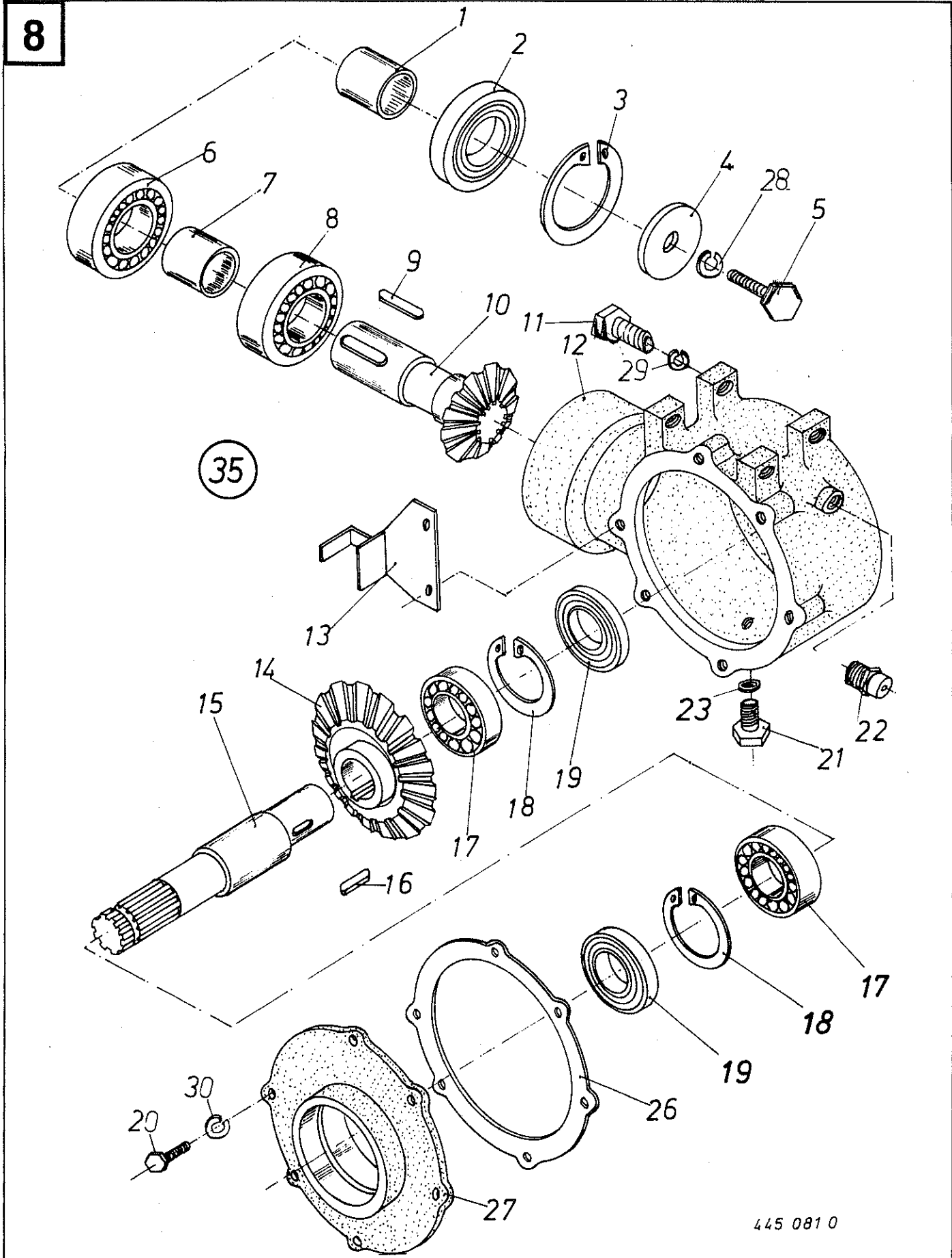
**Spurrad (links)**  
**Track wheel (left)**  
**TM 4/270 + TM 4/330**

7

Abb. Ill.	Part No. Bestell-Nr.	Bezeichnung	Description
1	912 676 0	Spannstift 8 x 50	Tension pin 8 x 50
2	147 073 0	Lagerbolzen $\varnothing$ 35 x 190	Pivot pin $\varnothing$ 35 x 190
3	147 313 0	Steckbolzen $\varnothing$ 20 x 131	Pin $\varnothing$ 20 x 131
4	917 104 0	Federstecker 4 DIN 11024	Spring clip 4 DIN 11024
5	908 541 0	Mutter M 30 x 1,5 DIN 439	Nut M 30 x 1,5 DIN 439
6	147 072 0	Schwenkholm	Wheel carrier beam
7	952 180 0	Achse 45er Vierkant 62 lang (TM 4/270)	Axle 45er square 62 long (TM 4/270)
	952 179 0	Achse 45er Vierkant 102 lang (TM 4/330)	Axle 45er square 102 long (TM 4/330)
8	912 077 0	Splint 4,5 x 40	Split pin 4,5 x 40
9	953 203 0	Reifen 7.00-12 T 7 (4 ply) (TM 4/270)	Tyre 7.00-12 T 7 (4 ply) (TM 4/270)
	953 204 0	Reifen 10.0/80-12 T 7 (4 ply) (TM 4/330)	Tyre 10.0/80-12 T 7 (4 ply) (TM 4/330)
10	952 327 0	Stoßringe G 1451 R	Push ring G 1451 R
11	953 103 0	Felge 4.25-12 (TM 4/270)	Rim 4.25-12 (TM 4/270)
	953 104 0	Felge 7.00-12 (TM 4/330)	Rim 7.00-12 (TM 4/330)
12	952 330 0	Labyrinthring	Maze ring
13	953 303 0	Schlauch 7.00-12 AM (TM 4/270)	Tube 7.00-12 AM (TM 4/270)
	953 304 0	Schlauch 10.0/80-12 (TM 4/330)	Tube 10.0/80-12 (TM 4/330)
14	932 222 0	Kegelrollenlager LM 501310/49	Cone roll bearing LM 501310/49
15	952 280 0	Radnabe G 1127-8 F	Wheel hub G 1127-8 F
16	952 310 0	Radkappe G 2090	Wheel cape G 2090
17	932 212 0	Kegelrollenlager L 44610/49	Cone roll bearing L 44610/49
18	908 927 0	Kronenmutter M 24 x 1,5 DIN 937	Castellated nut M 24 x 1,5 DIN 937
19	910 223 0	Kugelbundmutter A 14 x 1,5 DIN 74361	Nut A 14 x 1,5 DIN 74361
20	910 252 0	Radbolzen M 14 x 1,5 x 40 lang mit 10 mm Rändelansatz	Wheel stud M 14 x 1,5 x 40
21	919 003 0	Schmiernippel H 1 S 9/Sechskant	Grease nipple H 1 S 9/hexagonal
⑩	450 190 0	Radnabe komplett (TM 4/270) (Abb. 7, 8, 10, 12, 14-20)	Wheel hub complete (TM 4/270) (illustr. 7, 8, 10, 12, 14-20)
	450 240 0	Radnabe komplett (TM 4/330) (Abb. 7a, 8, 10, 12, 14-20)	Wheel hub complete (TM 4/330) (illustr. 7a, 8, 10, 12, 14-20)
⑪	953 003 0	Reifen, Schlauch und Felge kpl. aufgezogen (Abb. 9, 11, 13)	Tyre, tube and rim complete (illustr. 9, 11, 13)
	953 004 0	Reifen, Schlauch und Felge kpl. aufgezogen (Abb. 9a, 11a, 13a)	Tyre, tube and rimm complete (illustr. 9a, 11a, 13a)



Getriebe  
Gearbox  
TM 4/270 + TM 4/330



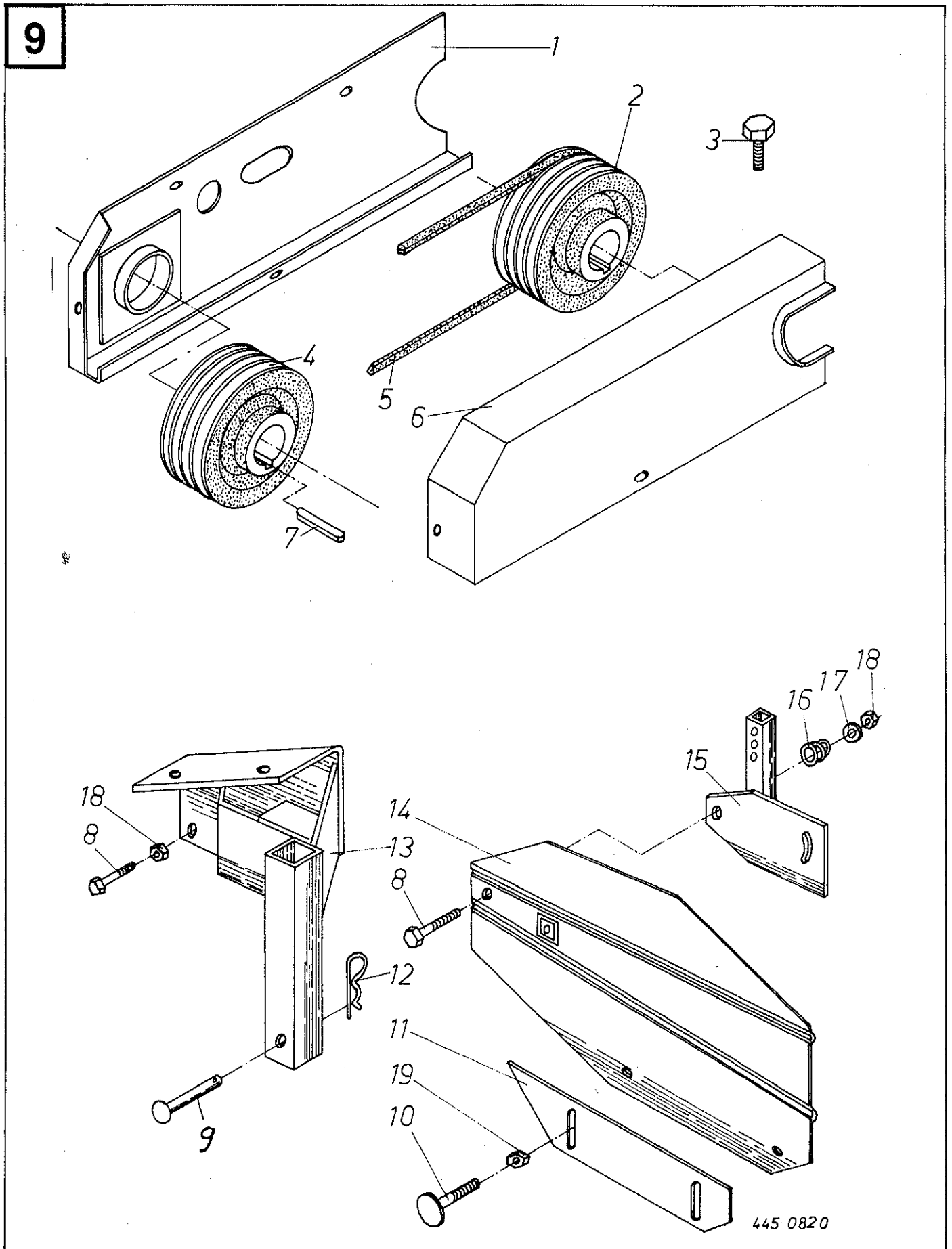
445 081 0

**Getriebe**  
**Gearbox**  
**TM 4/270 + 4/330**



Abb. Ill.	Part No. Bestell-Nr.	Bezeichnung	Description
1	147 143 0	Distanzbuchse $\varnothing$ 35 x $\varnothing$ 55 x 24	Spacer bushing $\varnothing$ 35 x $\varnothing$ 55 x 24
2	936 408 0	Simmerring 55 x 100 x 13 B 2	Oil seal 55 x 100 x 13 B 2
3	911 686 0	Seegerring J 100 x 3	Circlip J 100 x 3
4	910 642 0	Scheibe $\varnothing$ 13 x $\varnothing$ 70 x 6	Round plate $\varnothing$ 13 x $\varnothing$ 70 x 6
5	900 298 0	Schraube M 12 x 30	Set screw M 12 x 30
6	930 807 0	Kugellager 6407	Ball bearing 6407
7	147 149 0	Distanzbuchse außen $\varnothing$ 48,3 x 30 lang	Spacer bushing outer $\varnothing$ 48,3 x 30 length
8	932 736 0	Kugellager NUP 308	Ball bearing NUP 308
9	915 134 0	Paßfeder 10 x 8 x 80 A	Key 10 x 8 x 80 A
10	147 148 0	Ritzelwelle 14 Zähne 222 lang	Pinion 14 teeth 222 long
11	900 335 0	Skt.-Schraube M 16 x 30	Bolt M 16 x 30
12	147 141 0	Gehäuse	Housing
13	147 150 0	Führung für Keilriemenschutz	Bracket for V-belt guard
14	147 147 0	Kegelrad 31 Zähne	Bevel gear 31 teeth
15	147 146 0	Antriebswelle $\varnothing$ 42 x 274	Input shaft $\varnothing$ 42 x 274
16	915 117 0	Paßfeder 10 x 8 x 36 B	Key 10 x 8 x 36 B
17	930 167 0	Kugellager 6307	Ball bearing 6307
18	911 673 0	Seegerring J 80 x 2,5	Circlip J 80 x 2,5
19	936 339 0	Simmerring 35 x 80 x 13 B 2	Oilseal 35 x 80 x 13 B 2
20	900 281 0	Schraube M 10 x 30	Bolt M 10 x 30
21	906 010 0	Ölablaßschraube M 18 x 1,5 DIN 910	Drain plug with sealing ring M 18 x 1,5 DIN 910
22	919 803 0	Entlüfter Nr. 145 74 320 10	Breather No. 145 74 320 10
23	937 727 0	Dichtring	Gasket ring
26	147 144 0	Dichtung	Gasket
27	147 142 0	Deckel (3-147-142-0)	Cover (3-147-142-0)
28	910 012 0	Federring B 12 DIN 127	Spring washer B 12 DIN 127
29	910 014 0	Federring B 16 DIN 127	Spring washer B 16 DIN 127
30	910 011 0	Federring B 10 DIN 127	Spring washer B 10 DIN 127
35	147 145 0	Getriebe komplett Abb. 1-30	Gearbox cpl. illustr. no. 1-30

Keilriemenantrieb – Mähholm TM 4/270 + TM 4/330  
Schwadblich TM 4/270 + TM 4/330  
V-Belt drive, cutter bar, swath board



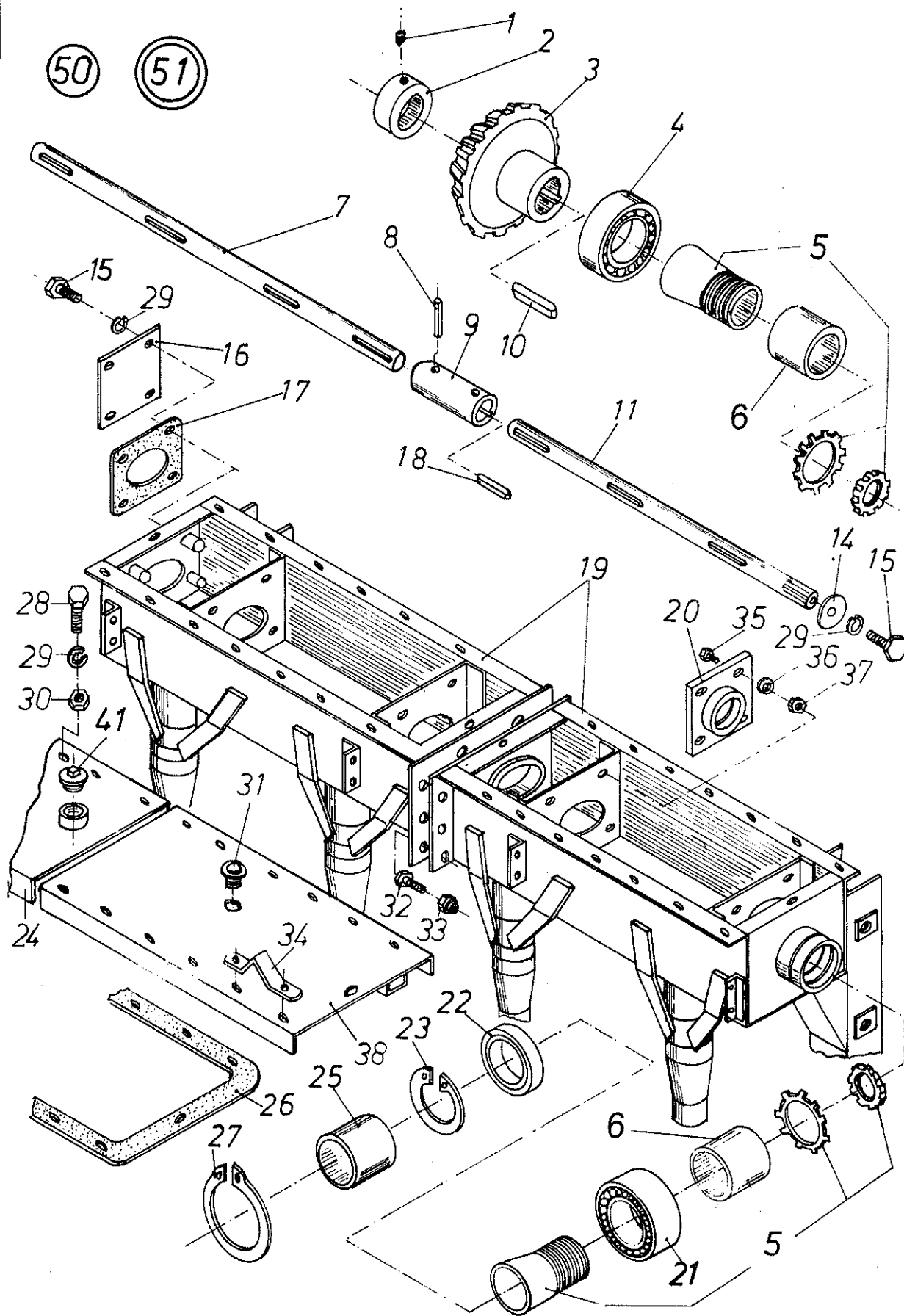
**Keilriemenantrieb - Mähholm TM 4/270 + TM 4/330**  
**Schwadblech TM 4/270 + TM 4/330**  
**V-Belt drive, cutter bar, swath board**

9

Abb. Ill.	Part No. Bestell-Nr.	Bezeichnung	Description
1	147 098 2	Schutzkasten mähholmseitig (bei 540 U/min an der Schlepperzapfwelle)	Guard cutter bar side (at 540 rpm by the p. t. o. shaft of the tractor)
	147 304 0	Schutzkasten mähholmseitig (bei 1000 U/min an der Schlepperzapfwelle)	Guard cutter bar side (at 1000 rpm by the p. t. o. shaft of the tractor)
2	147 007 0	Riemenscheibe getriebeseitig außen $\varnothing$ 208 mm TM 4/330, Nabellänge 88 mm (bei 540 u. 1000 U/min an der Schiepperzapfwelle)	V-belt pulley on gear box side outer $\varnothing$ 208 mm TM 4/330, hub length 88 mm (at 540 and 1000 rpm by the p. t. o. shaft of the tractor)
	147 006 0	Riemenscheibe getriebeseitig außen $\varnothing$ 232 mm TM 4/270, Nabellänge 88 mm (bei 540 u. 1000 U/min an der Schlepperzapfwelle)	V-belt pulley on gear box side outer $\varnothing$ 232 mm TM 4/270, hub length 88 mm (at 540 and 1000 rpm by the p. t. o. shaft of the tractor)
3	900 254 0	Schraube M 8 x 16	Bolt M 8 x 16
4	147 006 0	Riemenscheibe mähholmseitig außen $\varnothing$ 232 mm TM 4/330, Nabellänge 88 mm (bei 540 U/min an der Schlepperzapfwelle)	V-belt pulley on cutter bar side outer $\varnothing$ 232 mm TM 4/330, hub length 88 mm (at 540 rpm by the p. t. o. shaft of the tractor)
	147 007 0	Riemenscheibe mähholmseitig außen $\varnothing$ 208 mm TM 4/270, Nabellänge 88 mm (bei 540 U/min an der Schlepperzapfwelle)	V-belt pulley on cutter bar side outer $\varnothing$ 208 mm TM 4/270, hub length 88 mm (at 540 rpm by the p. t. o. shaft of the tractor)
	147 305 0	Riemenscheibe mähholmseitig außen $\varnothing$ 378 mm für TM 4/270 und TM 4/330, Nabellänge 88 mm (bei 1000 U/min an der Schlepperzapfwelle)	V-belt pulley on the cutter bar side outer $\varnothing$ 378 mm for TM 4/270 and TM 4/330, hub length 88 mm (at 1000 rpm by the p. t. o. shaft of the tractor)
5	921 605 0	Keilriemen (nur Satzweise = 4 Stück) S 19 x 1700 LW	V-belt (in sets only 4) S 19 x 1700 LW (at 540 rpm by the p. t. o. shaft of the tractor)
	921 611 0	Keilriemen (nur Satzweise = 4 Stück) S 19 x 1975 (bei 1000 U/min an der Schlepperzapfwelle)	V-belt (in sets only 4) S 19 x 1975 (at 1000 rpm by the p. t. o. shaft of the tractor)
6	147 097 0	Schutzkasten getriebeseitig (bei 540 U/min an der Schlepperzapfwelle)	Guard gear box side (at 540 rpm by the p. t. o. shaft of the tractor)
	147 382 0	Schutzkasten getriebeseitig (bei 1000 U/min an der Schlepperzapfwelle)	Guard gear box side (at 1000 rpm by shte p. t. o. shaft of the tractor)
7	915 134 0	Paßfeder A 10 x 8 x 80	Key A 10 x 8 x 80
8	901 085 0	Schraube M 12 x 70	Bolt M 12 x 70
9	441 096 0	Niet 10 x 60	Rivet 10 x 60
10	905 151 0	Flachrundschrabe M 10 x 20	Carriage bolt M 10 x 20
11	147 246 1	Verstellstück für Schwadblech	Extension on swath board
12	917 104 0	Federstecker 4 DIN 11024	Spring clip 4 DIN 11024
13	147 248 0	Schwadblechhalterung rechts	Swath board bracket right
	147 388 0	Schwadblechhalterung links	Swath board bracket left
14	147 390 0	Schwadblech rechts	Swat board right
	147 391 0	Schwadblech links	Swath board left
15	141 022 0	Schwadblechhalter rechts	Swath board bracket right
	141 110 0	Schwadblechhalter links	Swath board bracket left
16	015 242 0	Druckfeder $\varnothing$ 6 x 4,5 Windung	Spring $\varnothing$ 6 x 4,5
17	910 315 0	Scheibe DIN 125 B 13 x $\varnothing$ 24 x 2,5	Round plate DIN 125 B 13 x $\varnothing$ 24 x 2,5
18	908 711 0	Mutter M 12 selbstsichernd	Self-locking nut M 12
19	908 708 0	Mutter M 10 selbstsichernd	Self-locking nut M 10

Mähholm  
Cutter bar  
TM 4/270 + TM 4/330

10



445 083 0

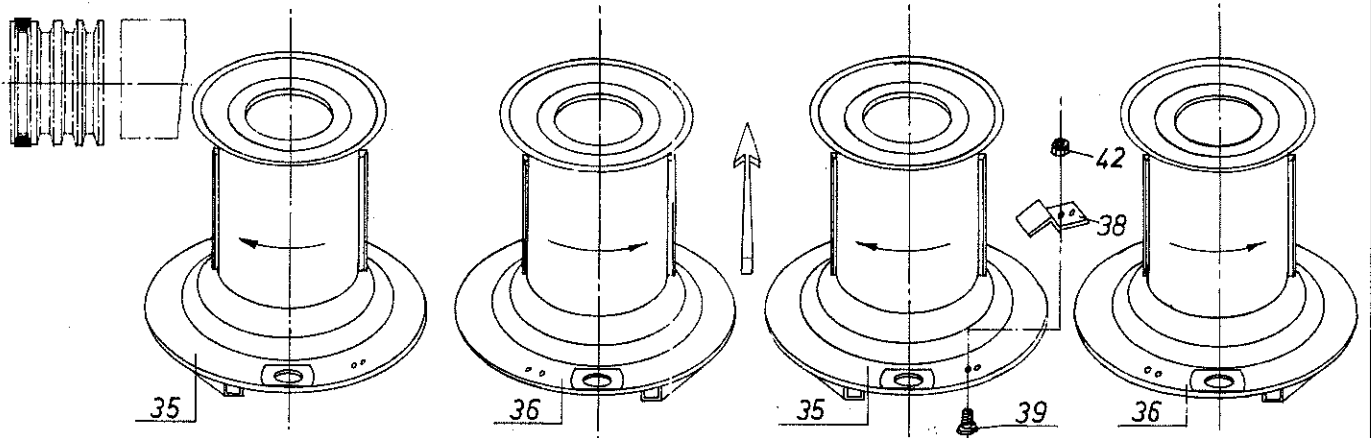
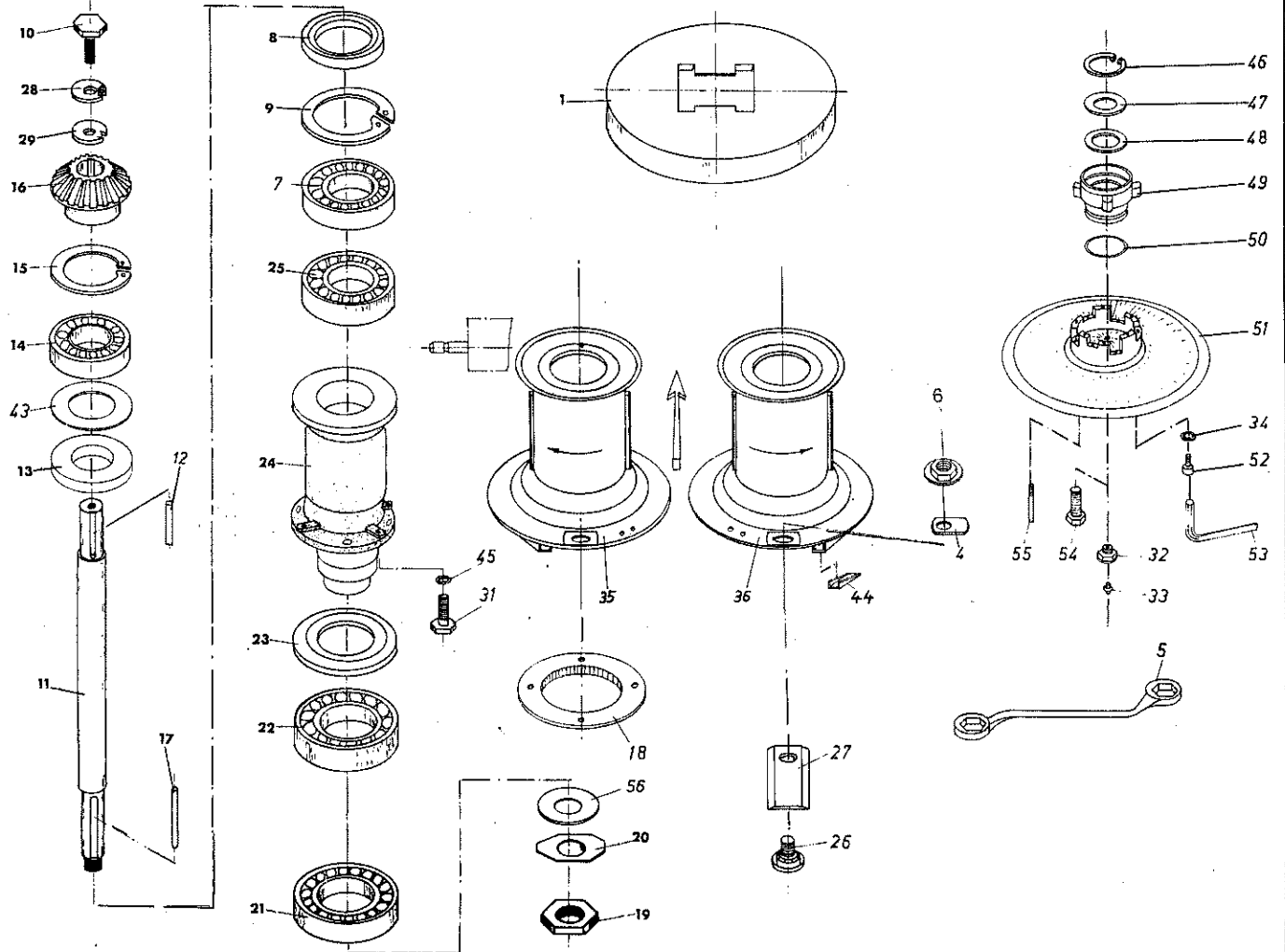
**Mähholm  
Cutter bar  
TM 4/270 + TM 4/330**

**10**

Abb. Ill.	Part No. Bestell-Nr.	Bezeichnung	Description
1	905 931 0	Gewindestift AM 10 x 8 DIN 916	Turn pin AM 10 x 8 DIN 916
2	137 182 0	Stellring $\varnothing$ 35 x $\varnothing$ 50 x 18	Collar $\varnothing$ 35 x $\varnothing$ 50 x 18
3	141 034 1	Kegelrad 33 Zähne	Pinion 33 teeth
4	930 137 0	Kugellager 6207	Ball bearing 6207
5	935 805 0	Spannhülse für Spannelement H 308 kpl.	Retainer sleeve for cock unit H 308 cpl.
6	137 113 0	Feststellring	Collar
7	147 061 1	Antriebswelle rechts $\varnothing$ 35 x 1200 (TM 4/270 ohne Knickzetter)	Drive shaft right $\varnothing$ 35 x 1200 (TM 4/270 without conditioner)
	148 021 1	Antriebswelle rechts $\varnothing$ 35 x 1445 (TM 4/330 ohne Knickzetter)	Drive shaft right $\varnothing$ 35 x 1445 (TM 4/330 without conditioner)
8	912 648 0	Spannhülse 6 x 60	Tension pin 6 x 60
9	147 059 0	Verbindungsuffe $\varnothing$ 35 x $\varnothing$ 60 x 140	Coupling bushing $\varnothing$ 35 x $\varnothing$ 60 x 140
10	915 129 0	Paßfeder 10 x 8 x 56 B (St. 90)	Key 10 x 8 x 56 B (St. 90)
11	147 060 1	Antriebswelle links $\varnothing$ 35 x 1350 (TM 4/270)	Drive shaft left $\varnothing$ 35 x 1350 (TM 4/270)
	148 020 0	Antriebswelle links $\varnothing$ 35 x 1482 (TM 4/330)	Drive shaft left $\varnothing$ 35 x 1482 (TM 4/330)
14	910 642 0	Scheibe $\varnothing$ 13 x $\varnothing$ 70 x 6	Round plate $\varnothing$ 13 x $\varnothing$ 70 x 6
15	900 298 0	Schraube M 12 x 30	Set screw M 12 x 30
16	147 057 1	Deckel (seitlich rechts)	Cover (right hand side)
17	147 058 2	Dichtung für Deckel (seitlich rechts)	Gasket for cover (right hand side)
18	915 130 0	Paßfeder A 10 x 8 x 63	Key A 10 x 8 x 63
19	147 398 0	Mähholm (TM 4/270) (links und rechts)	Cutter bar casing (TM 4/270) (left and right)
	148 057 0	Mähholm (TM 4/330) (links und rechts)	Cutter bar casing (TM 4/330) (left and right)
20	137 249 1	Lagerblech	Bearing housing
21	931 924 0	Pendelrollenlager 22208 HLK	Pendulum roll bearing 22208 HLK
22	936 732 0	Simmerring 50 x 80 x 13 B 2 SL	Oil seal 50 x 80 x 13 B 2 SL
23	911 673 0	Seegerring J 80 x 2,5 DIN 472	Circlip J 80 x 2,5 DIN 472
24	147 396 0	Deckel rechts (TM 4/270) 246 breit x 1318	Cover right (TM 4/270) 246 wide x 1318
	148 061 0	Deckel rechts (TM 4/330) 246 breit x 1517	Cover right (TM 4/330) 246 wide x 1517
25	147 266 0	Distanzbuchse $\varnothing$ 35 x $\varnothing$ 50 x 20	Spacer bushing $\varnothing$ 35 x $\varnothing$ 50 x 20
26	147 261 1	Dichtung links u. rechts (TM 4/270) 3 x 225 x 1310	Gasket left and right (TM 4/270) 3 x 225 x 1310
	148 022 1	Dichtung links u. rechts (TM 4/330) 3 x 225 x 1509	Gasket left and right (TM 4/330) 3 x 225 x 1509
27	911 582 0	Seegerring A 95 x 3 DIN 471	Circlip A 95 x 3 DIN 471
28	900 296 0	Schraube M 12 x 25	Bolt M 12 x 25
29	910 012 0	Federring B 12 DIN 127	Spring washer B 12 DIN 127
30	908 015 0	Mutter M 12 DIN 934	Nut M 12 DIN 934
31	919 802 0	Entlüftungsschraube R 1/4"	Vent screw R 1/4"
32	900 299 0	Schraube M 12 x 35	Bolt M 12 x 35
33	908 711 0	Mutter M 12 selbstsichernd	Self-locking nut M 12
34	147 263 0	Bügel zum Verladen	Bow to load
35	900 257 0	Schraube M 8 x 20	Bolt M 8 x 20
36	910 313 0	Scheibe $\varnothing$ 8,4 x $\varnothing$ 17 x 2	Round plate $\varnothing$ 8,4 x $\varnothing$ 17 x 2
37	908 010 0	Mutter M 8 DIN 934	Nut M 8 DIN 934
38	147 259 1	Deckel links (TM 4/270) 246 breit x 1318, mit Fettr.	Cover left (TM 4/270) 246 wide x 1318 w. grease groove
38a	148 023 1	Deckel links (TM 4/330) 246 breit x 1517, mit Fettr.	Cover left (TM 4/330) 246 wide x 1517 w. grease groove
39	925 320 0	Abziehvorrichtung für Mähholmwelle (s. S. 19)	Special puller tool for cutter bar drive shaft (s. page 19)
40	925 321 0	Abziehvorrichtung für Kegelrad (s. S. 19)	Special puller tool for pinion (s. page 19)
41	925 920 0	Stopfen 1 1/4" mit Rand	Plug 1 1/4"
50	147 223 4	Mähholm kpl. (TM 4/270) mit oder ohne Anbauteile für Knickzetter (Abb. 1-37)	Cutter bar cpl. (TM 4/270) with or without attachment parts for conditioner (illustr. 1-37)
	148 038 1	Mähholm kpl. (TM 4/330) mit oder ohne Anbauteile für Knickzetter (Abb. 1-37)	Cutter bar cpl. (TM 4/330) with or without attachment parts for conditioner (illustr. 1-37)
51	147 397 0	Mähholm (TM 4/270) mit Trommeln und Stützteilern kpl. montiert (angeben, ob TM mit oder ohne Knickzetter)	Cutter bar cpl. (TM 4/270) with cylinders and saucers cpl. mounted (state additional pieces for conditioner)
	148 056 0	Mähholm komplett (TM 4/330) wie bei 51 beschrieben	Cutter bar complete (TM 4/330) as described under 51

Trommeln  
Cylinders  
TM 4/270 + TM 4/330

11



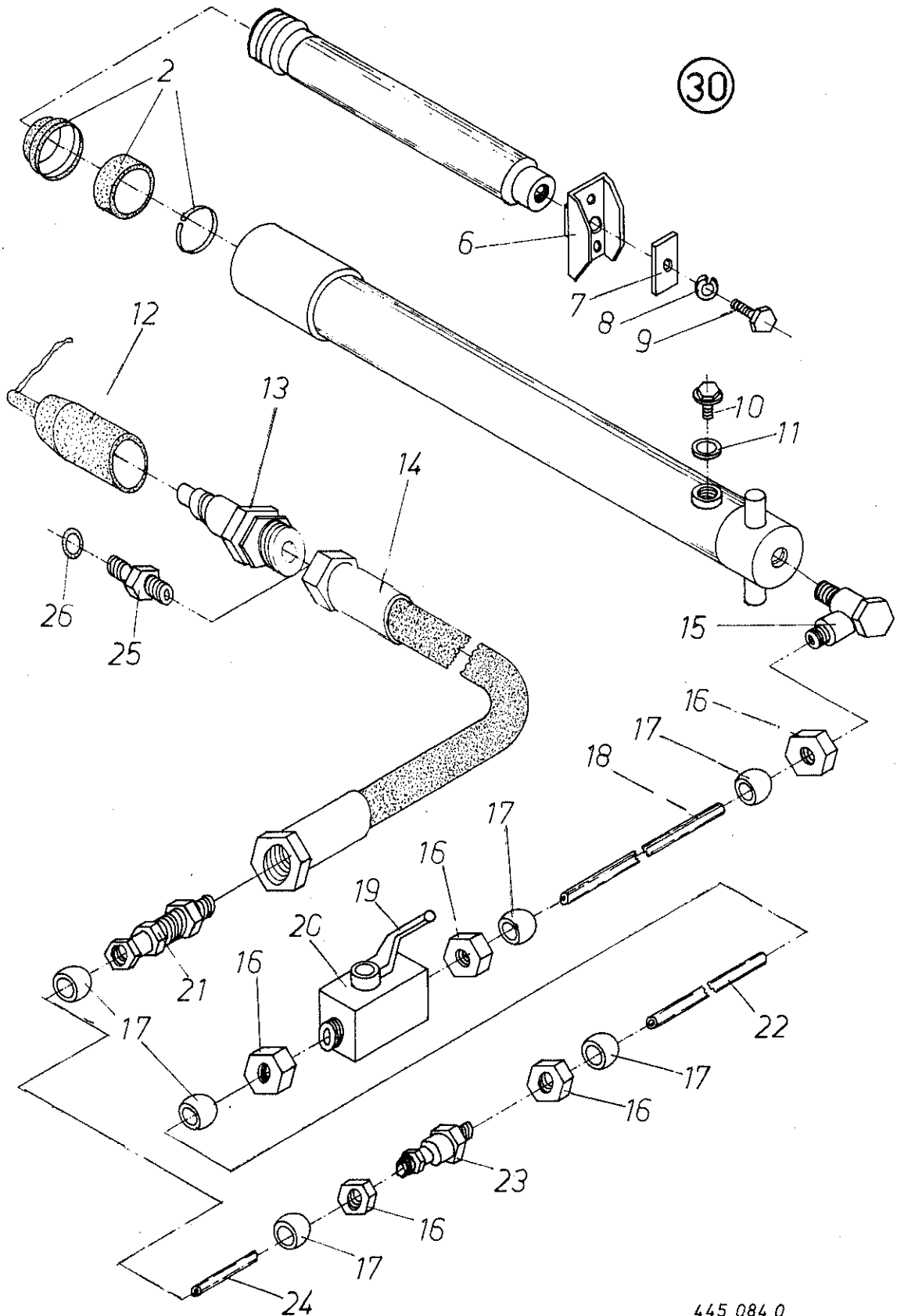
**Trommeln**  
**Cylinders**  
**TM 4/270 + TM 4/330**

Abb. Ill.	Part No. Bestell-Nr.	Bezeichnung	Discription
1	141 072 1	Trommelschutz	Cylinder guard
4	141 051 0	Schutzkappe für Messerschraube	Lid for ten knife screw
5	925 303 0	Ringschlüssel SW: 17/19	Ring spanner SW: 17/19
6	909 602 0	Mutter M 12 für Messerbefestigung (Tensilock)	Nut M 12 for blade retainer (Tensilock)
7	930 114 0	Kugellager 6014	Ball bearing 6014
8	936 440 0	Simmerring A 70 x 110 x 13 B 2	Oil seal A 70 x 110 x 13 B 2
9	911 691 0	Seegerring J 110 x 4	Circlip J 110 x 4
10	900 294 0	Schraube M 12 x 20	Setscrew M 12 x 20
11	141 023 1	Trommelwelle $\varnothing$ 35 x 483	Cylinder shaft $\varnothing$ 35 x 483
12	915 335 0	Paßfeder 10 x 8 x 45 B	Key 10 x 8 x 45 B
13	936 336 0	Simmerring A 35 x 62 x 12 B 2	Oil seal A 35 x 62 x 12 B 2
14	930 166 0	Kugellager 6306	Ball bearing 6306
15	911 668 0	Seegerring J 72 x 2,5	Circlip J 72 x 2,5
16	141 033 1	Kegelrad, 20 Zähne	Pinion 20 teeth
17	915 134 0	Paßfeder A 10 x 8 x 80	Key A 10 x 8 x 80
18	141 067 0	Schutzkappe	Lid
19	908 541 0	Mutter M 30 x 1,5 DIN 439	Nut M 30 x 1,5 DIN 439
20	141 038 0	Sicherungsblech	Locking Plate
21	930 640 0	Kugellager 6210-C 3	Ball bearing 6210-C 3
22	930 142 0	Kugellager 6212	Ball bearing 6212
23	936 926 0	Nilos-Ring 60 x 110 LSTO	Nilos seal 60 x 110 LSTO
24	141 025 2	Lagergehäuse	Housing
25	930 141 0	Kugellager 6211	Ball bearing 6211
26	141 053 2	Schraube M 12 für Messerbefestigung	Blade retainer bolt M 12
27	143 149 0	Messer 88 mm lang	Blade; length: 88 mm
28	141 037 0	Schraubensicherung 1,5 mm dick	Lock plate 1,5 mm thickness
29	141 036 0	Schraubensicherung 3 mm dick	Lock plate 3 mm thickness
31	900 279 0	Schraube M 10 x 25	Bolt M 10 x 25
32	141 044 1	Schraube M 20 für Stützteller	Plug M 20 for saucer
33	919 003 0	Schmiernippel H 1 S 9/Sechskant 8 x 1	Grease nipple H 1 S 9/hexagonal 8 x 1
34	909 805 0	Zahnscheibe DIN 6797 JM 10 x 16	Teeth disc DIN 6797 JM 10 x 16
35	141 097 0	Trommel (TM 4/270) mit und ohne Knickzetter (links)	Cylinder for TM 4/270 with and without conditioner (left)
	143 166 0	Trommel (TM 4/330) mit und ohne Knickzetter (links)	Cylinder for TM 4/330 with and without conditioner (left)
36	141 049 0	Trommel (TM 4/270) mit und ohne Knickzetter (rechts)	Cylinder for TM 4/270 with and without conditioner (right)
	143 012 0	Trommel (TM 4/330) mit und ohne Knickzetter (rechts)	Cylinder for TM 4/330 with and without conditioner (right)
38	250 078 1	Förderschaukeln (nur für TM mit Knickzetter)	Feeding strips (only for TM with conditioner)
39	900 296 0	Schraube M 12 x 25	Bolt M 12 x 25
42	908 711 0	Mutter M 12 selbstsichernd	Self-locking Nut M 12
43	910 739 0	Stützscheibe 56 x 72 x 3	Support washer 56 x 72 x 3
	911 164 0	Paßscheibe 60 x 72 x 1	Round plate 60 x 72 x 1
	911 163 0	Paßscheibe 60 x 72 x 0,5	Round plate 60 x 72 x 0,5
	911 162 0	Paßscheibe 60 x 72 x 0,3	Round plate 60 x 72 x 0,3
	911 160 0	Paßscheibe 60 x 72 x 0,1	Round plate 60 x 72 x 0,1
44	141 052 0	Schutz für Messerschraube rechts	Guard for knife bolt right
	141 098 0	Schutz für Messerschraube links	Guard for knife bolt left
45	910 011 0	Federring B 10 DIN 127	Spring washer B 10 DIN 127
46	911 680 0	Seegerring J 90 x 3 DIN 472	Circlip J 90 x 3 DIN 472
47	910 744 0	Stützscheibe 70 x 90 x 3,5 geschliffen	Support washer 70 x 90 x 3,5
48	910 974 0	Paßscheibe 70 x 90 x 1	Round plate 70 x 90 x 1
	910 973 0	Paßscheibe 70 x 90 x 0,5	Round plate 70 x 90 x 0,5
	910 972 0	Paßscheibe 70 x 90 x 0,3	Round plate 70 x 90 x 0,3
	910 970 0	Paßscheibe 70 x 90 x 0,1	Round plate 70 x 90 x 0,1
49	143 114 1	Lagergehäuse für Stützteller	Bearing housing for saucer
50	937 565 0	O-Ring 95 x 3	O-ring 95 x 3
51	141 090 0	Stützteller TM 4/270 (Schnitt Höhenverstellung)	Saucer for TM 4/270 (cutting height adjusting)
51a	143 011 2	Stützteller TM 4/330 (Schnitt Höhenverstellung)	Saucer for TM 4/330 (cutting height adjusting)
52	903 111 0	Zylinderschraube M 10 x 45 DIN 912	Cylinder bolt M 10 x 45 DIN 912
53	925 312 0	Sechskantschlüssel 8 x 100 x 200	Wrench 8 x 100 x 200
54	900 382 0	Abziehschraube M 20 x 70	Pulling screw M 20 x 70
55	143 170 0	Gewindebolzen M 10 x 120 (zum Wechseln der Stützteller)	Threaded bolt M 10 x 120 (for saucer-changing)
56	910 655 0	Stützscheibe 30 x 60 x 3,5	Support washer 30 x 60 x 3,5



Hydraulikzylinder und Hydraulikleitungen  
Hydraulic ram and oillines  
TM 4/270 + TM 4/330

12



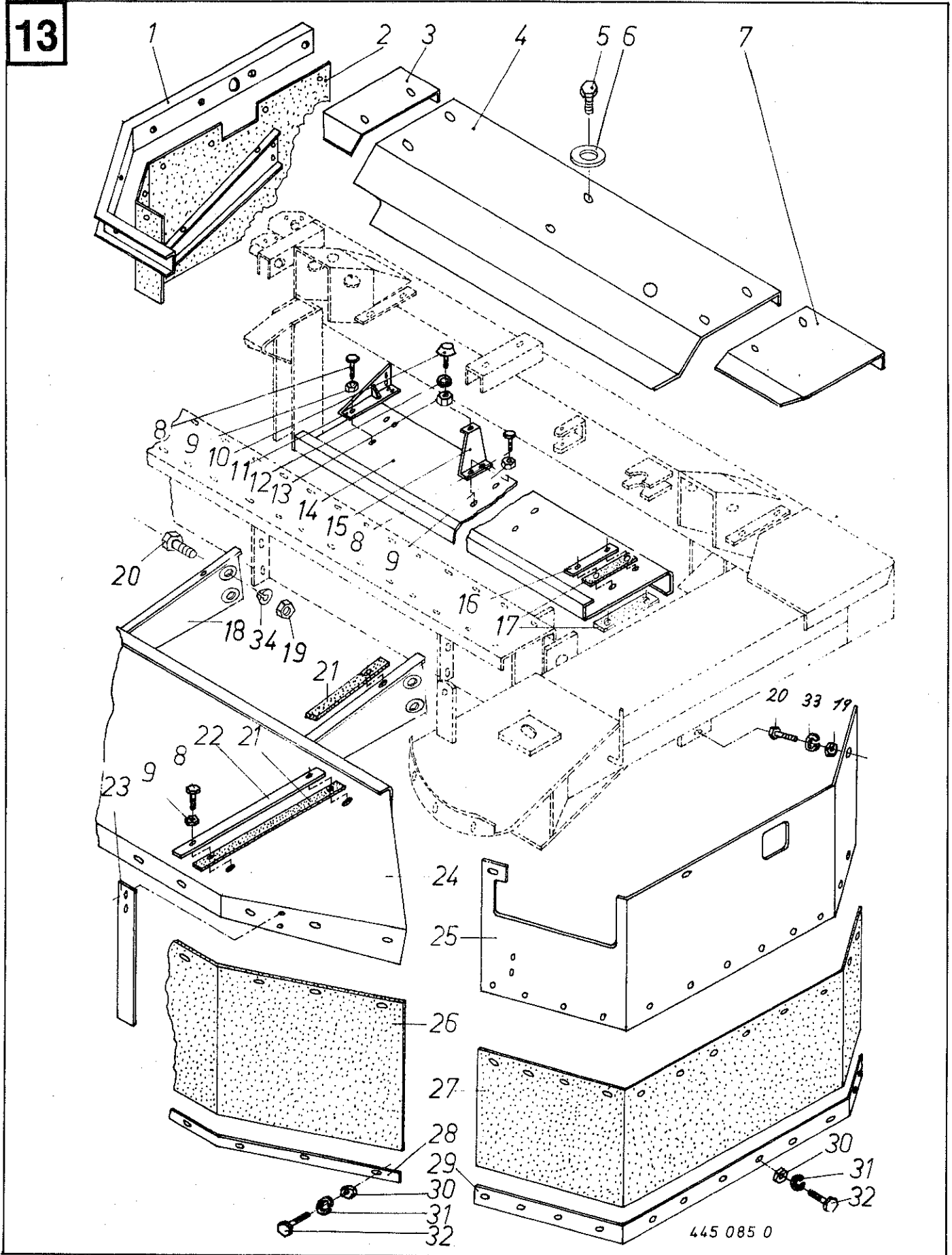
445 084 0

**Hydraulikzylinder und Hydraulikleitungen**  
**Hydraulic ram and oilines**  
**TM 4/270 + TM 4/330**

**12**

Abb. Ill.	Part No. Bestell-Nr.	Bezeichnung	Description
2	921 451 0	Satz Dichtungen (Massey-Ferguson)	Set of Gasket (Massey-Ferguson)
	921 465 0	Satz Dichtungen (Weber)	Set of Gasket (Weber)
6	147 067 1	Kopfstück an der Kolbenstange	Headpiece on piston rod
7	147 197 0	Stirnplatte 26 x 45	Plate 26 x 45
8	910 012 0	Federring B 12	Spring washer B 12
9	900 298 0	Schraube M 12 x 30	Bolt M 12 x 30
10	906 001 0	Verschlußschraube M 10 x 1 DIN 910	Bolt M 10 x 1 DIN 910
11	937 711 0	Dichtring ø 10 x ø 14 x 1,5	Gasket ø 10 x ø 14 x 1,5
12	921 171 0	Staubmuffe	Dust socket
13	921 145 0	Kupplungsstecker 6263 11 310 022	Pin 6263 11 310 022
14	921 020 0	Hydraulikschlauch 3000 mm lang	Hose 3000 mm long
15	921 091 0	Schwenkverschraubung	Elbow connection
16	921 042 0	Überwurfmutter M 18 x 1,5	Union nut M 18 x 1,5
17	921 046 0	Keilring 028 713	Olive 028 713
18	147 310 0	Hydraulikleitung (12 x 1,5 x ca. 1450 mm)	Hydraulic pipe (12 x 1,5 x ca. 1450 mm)
19	921 123 0	Handgriff für Blockkugelhahn	Knack for shut off cock
20	921 122 0	Blockkugelhahn NW: 10 komplett	Shut off cock NW: 10 complete
21	921 087 0	Schottverschraubung K-GSV 12 L	Connection piece K-GSV 12 L
22	147 309 0	Hydraulikleitung (12 x 1,5 x ca. 343 mm)	Hydraulic pipe (12 x 1,5 x ca. 343 mm)
23	921 109 0	Drosselrückschlagventil (für Amerika)	Throttle (for USA)
24	147 403 0	Hydraulikrohr für Drosselrückschlagventil	Hydraulic for throttle
25	921 061 0	Reduzierstück eine Seite 18 x 1,5; andere Seite 3/4" 16 UNF	Reducing fitting one side 18 x 1,5; other side 3/4" 16 UNF
26	937 515 0	Dichtring für Reduzierstück OR 16 x 2,5	Gasket for reducing fitting OR 16 x 2,5
⊗	921 340 0	Hydraulikzylinder, komplett	Hydr. Cylinder, cpl.,

Schutze  
Guards  
TM 4/270 + TM 4/330



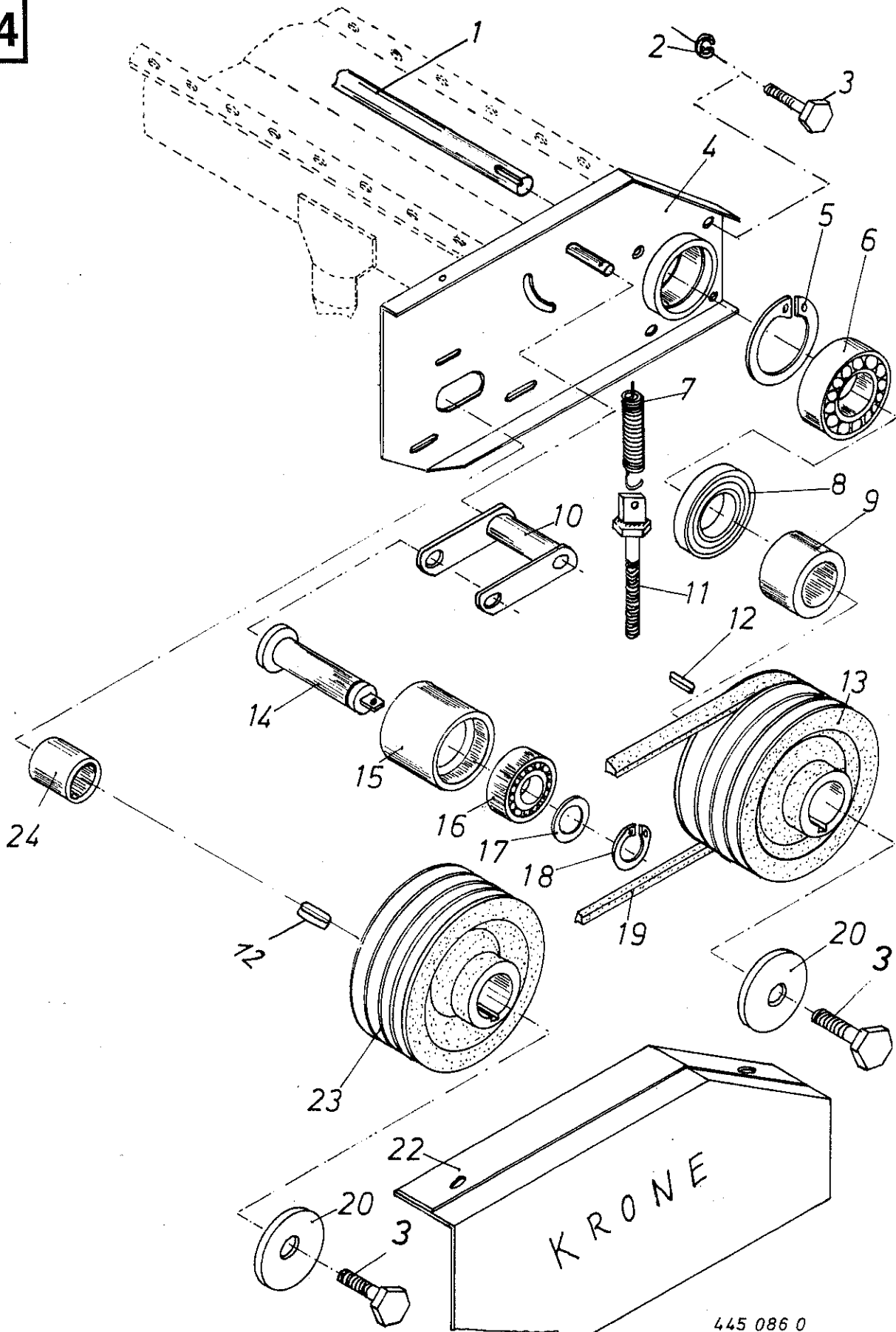
**Schutze  
Guards  
TM 4/270 + TM 4/330**

**13**

Abb. Ill.	Part No. Bestell-Nr.	Bezeichnung	Description
1	147 129 4	Schutzbügel	Rail for
2	147 207 0	Gummischutz rechts außen 2 x 440 x 1000	Rubber skirt right side outer 2 x 440 x 1000
3	147 289 0	Schutz für Tragholm rechts 100 breit	Guard for carrier beam right 100 wide
4	147 287 0	Schutz für Tragholm Mitte (TM 4/270) 265 x 2276	Guard for centre carrier beam (TM 4/270) 265 x 2276
	148 040 0	Schutz für Tragholm Mitte (TM 4/330) 265 x 2657	Guard for centre carrier beam (TM 4/330) 265 x 2657
5	900 274 0	Schraube M 10 x 16	Bolt M 10 x 16
6	910 638 0	Scheibe $\varnothing$ 11 x $\varnothing$ 36 x 2,5	Round plate $\varnothing$ 11 x $\varnothing$ 36 x 2,5
7	147 288 0	Schutz für Tragholm links 235 breit	Guard for left side carrier beam 235 wide
8	900 281 0	Schraube M 10 x 30 DIN 933	Bolt M 10 x 30 DIN 933
9	908 708 0	Mutter M 10 selbstsichernd DIN 980	Self-locking nut M 10 DIN 980
10	924 260 0	Gummipuffer $\varnothing$ 50 Nr. 25481	Rubber stopper for swath hood $\varnothing$ 50 Nr. 25481
11	250 085 1	Tropfhalter für Knickzetter	Bracket for drippoiler for conditioner
12	910 011 0	Federring B 10 DIN 127	Spring washer B 10 DIN 127
13	908 012 0	Mutter M 10 DIN 934	Nut M 10 DIN 934
14	147 139 2	Blechschatz Mitte (TM 4/270) 245 x 2410	Steel guard in the centre (TM 4/270) 245 x 2410
	148 028 1	Blechschatz Mitte (TM 4/330) 245 x 2806	Steel guard in the centre (TM 4/330) 245 x 2806
15	250 115 1	Konsole für Gummipuffer	Bracket for rubber Stopper
16	147 285 0	Auflage für Schutz Mitte 30 x 6 x 210	Rest for centre guard 30 x 6 x 210
17	147 228 0	Gummiauflage 3 x 30 x 210	Rubber rest 3 x 30 x 210
18	141 059 1	Halterung für Rotorschutz rechtes Teil Lochabstand 320	Bracket for rotary guard right part hole distance 320
19	908 711 0	Mutter M 12 selbstsichernd	Self-locking nut M 12
20	900 296 0	Schraube M 12 x 25 DIN 933	Bolt M 12 x 25 DIN 933
21	141 069 0	Gummiauflage vorn 3 x 30 x 400	Rubber rest front 3 x 30 x 400
22	141 084 0	Auflage für Schutz vorn 30 x 6 x 400	Rest for front guard 30 x 6 x 400
23	147 262 1	Federblech für Gummi 52 breit x 340	Spring steel for rubber 52 wide x 340
24	147 121 3	Rotorschutz vorne (TM 4/270) 465 breit	Guard front (TM 4/270) 465 wide
	148 026 1	Rotorschutz vorne (TM 4/330) 480 breit	Guard front (TM 4/330) 480 wide
25	147 127 2	Blechschatz seitlich links	Steel guard left side
26	147 122 1	Gummischutz vorn 2 x 400 x 2970 (TM 4/270)	Rubber guard front 2 x 400 x 2970 (TM 4/270)
	148 027 0	Gummischutz vorn 2 x 400 x 3340 (TM 4/330)	Rubber guard front 2 x 400 x 3340 (TM 4/330)
27	147 128 2	Gummischutz seitlich links 2 x 545 x 1440	Rubber guard left side 2 x 545 x 1440
28	147 282 0	Clamping band 2 x 30 x 2960 (TM 4/270) front	Clamping band 2 x 30 x 2960 (TM 4/270) front
	148 047 0	Klemmband 2 x 30 x 3330 (TM 4/330) vorn	Clamping band 2 x 30 x 3330 (TM 4/330) front
29	147 283 0	Klemmband seitlich links 2 x 30 x 1383	Clamping band left side 2 x 30 x 1383
30	908 008 0	Mutter M 6 DIN 934	Nut M 6 DIN 934
31	910 008 0	Federring B 6 DIN 127	Spring washer B 6 DIN 127
32	900 235 0	Schraube M 6 x 16 DIN 933	Bolt M 6 x 16 DIN 933
33	910 012 0	Federring B 12 DIN 127	Spring washer B 12 DIN 127
34	910 212 0	Kugelfederring C 12,5 DIN 74361	Ball spring race C 12,5 DIN 74361

Antrieb Knickzetter  
Conditioner drive  
TM 4/270 + TM 4/330

14



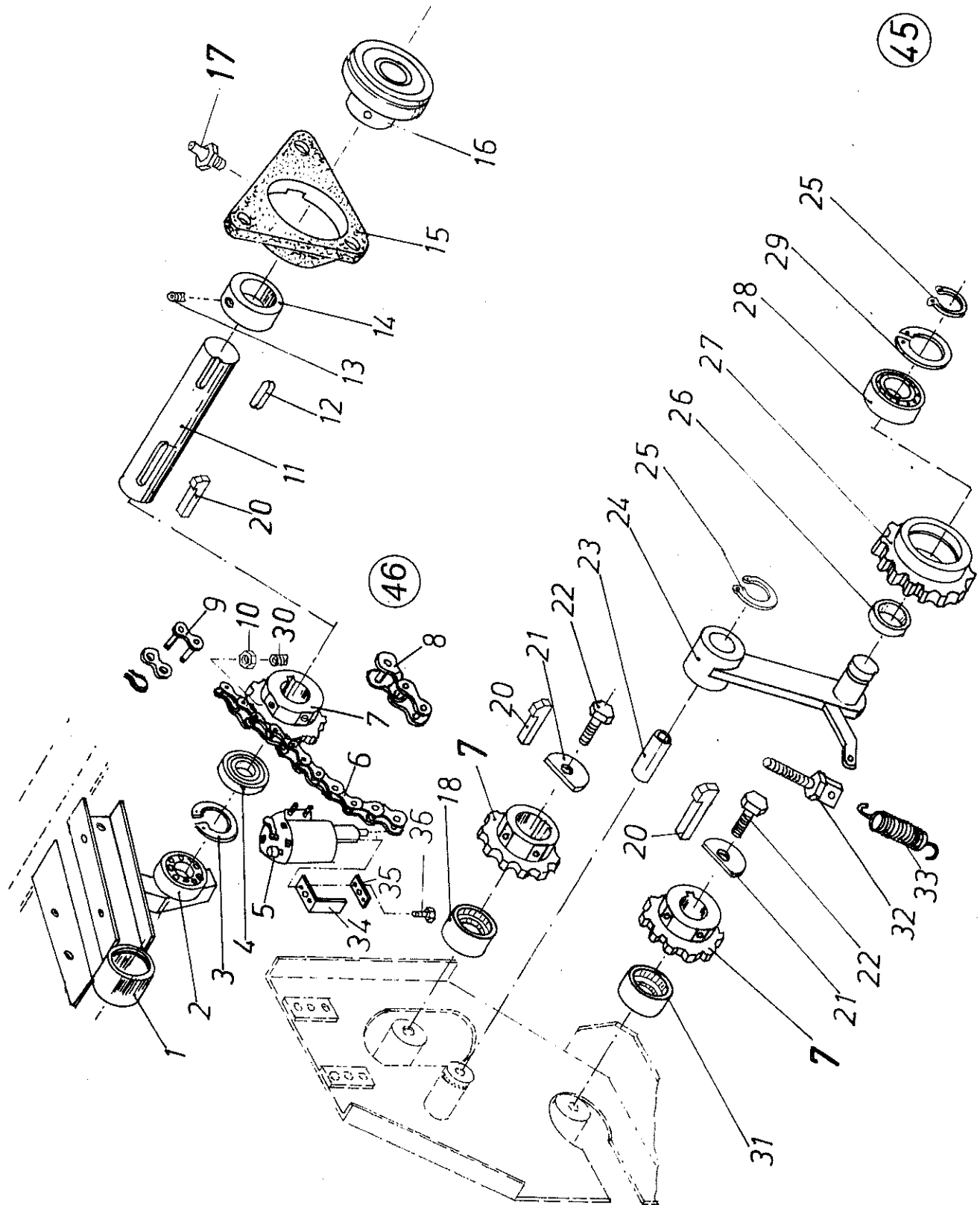
**Antrieb Knickzetter**  
**Conditioner drive**  
**TM 4/270 + TM 4/330**

**14**

Abb. III.	Part No. Bestell-Nr.	Bezeichnung	Description
1	250 130 0	Antriebswelle (nur bei TM 4/270 mit Knickzetter)	Drive shaft (only with conditioner TM 4/270)
		Ø 35 x 1490	Ø 35 x 1490
	252 010 1	Antriebswelle (nur bei TM 4/330 mit Knickzetter)	Drive shaft (only with conditioner TM 4/330)
		Ø 35 x 1754	Ø 35 x 1754
2	910 012 0	Federring B 12 DIN 127	Spring washer B 12 DIN 127
3	900 298 0	Schraube M 12 x 30	Bolt M 12 x 30
4	250 133 0	Lagerblech	Bearing housing
5	911 668 0	Seegerring J 72 x 2,5	Circlip J 72 x 2,5
6	930 137 0	Kugellager 6207	Ball bearing 6207
7	250 067 2	Zugfeder Ø 5 x 35 x 150 lang	Spring Ø 5 x 35 x 150 long
8	936 728 0	Simmerring Ø 45 x Ø 72 x 12 B 2 SL	Oil seal Ø 45 x Ø 72 x 12 B 2 SL
9	250 093 0	Distanzbuchse Ø 45 x 20	Spacer bushing Ø 45 x 20
10	250 054 0	Keilriemenspannbügel	V-belt tensioner
11	250 129 0	Spannschraube M 12 x 100	Tensioner bolt M 12 x 100
12	915 130 0	Paßfeder A 10 x 8 x 63	Key A 10 x 8 x 63
13	250 009 0	Keilriemenscheibe außen 149	V-belt pulley outer 149
14	250 055 1	Welle für Keilriemenspanner 30 x 135	Axle for bolt tensioner 30 x 135
15	250 057 0	Druckrolle für Keilriemenspanner Ø 95	Roller for bolt tensioner Ø 95
16	930 566 0	Kugellager 6306 2 RS oder 6306 LLU	Ball bearing 6306 2 RS or 6306 LLU
17	910 865 0	Scheibe Ø 30 x Ø 40 x 2	Round plate Ø 30 x Ø 40 x 2
18	911 535 0	Seegerring A 30 x 1,5	Circlip A 30 x 1,5
19	921 517 0	Keilriemen (nur Satzweise = 4 Stück)	V-belt (1 set = 4 belts)
		17 x 1215 LW	17 x 1215 LW
20	910 642 0	Scheibe Ø 13 x Ø 70 x 6	Round plate Ø 13 x Ø 70 x 6
22	250 004 2	Schutzkasten	Guard
23	250 010 0	Keilriemenscheibe außen 231	V-belt pulley outer 231
24	250 023 0	Distanzbuchse außen 42,5 x 24	Spacer bushing outer 42,5 x 24

Kettenantrieb - Knickzetter  
Chain drive on conditioner  
TM 4/270 + TM 4/330

15



445 087 0

**Kettenantrieb - Knickzetter**  
**Chain drive on conditioner**  
**TM 4/270 + TM 4/330**

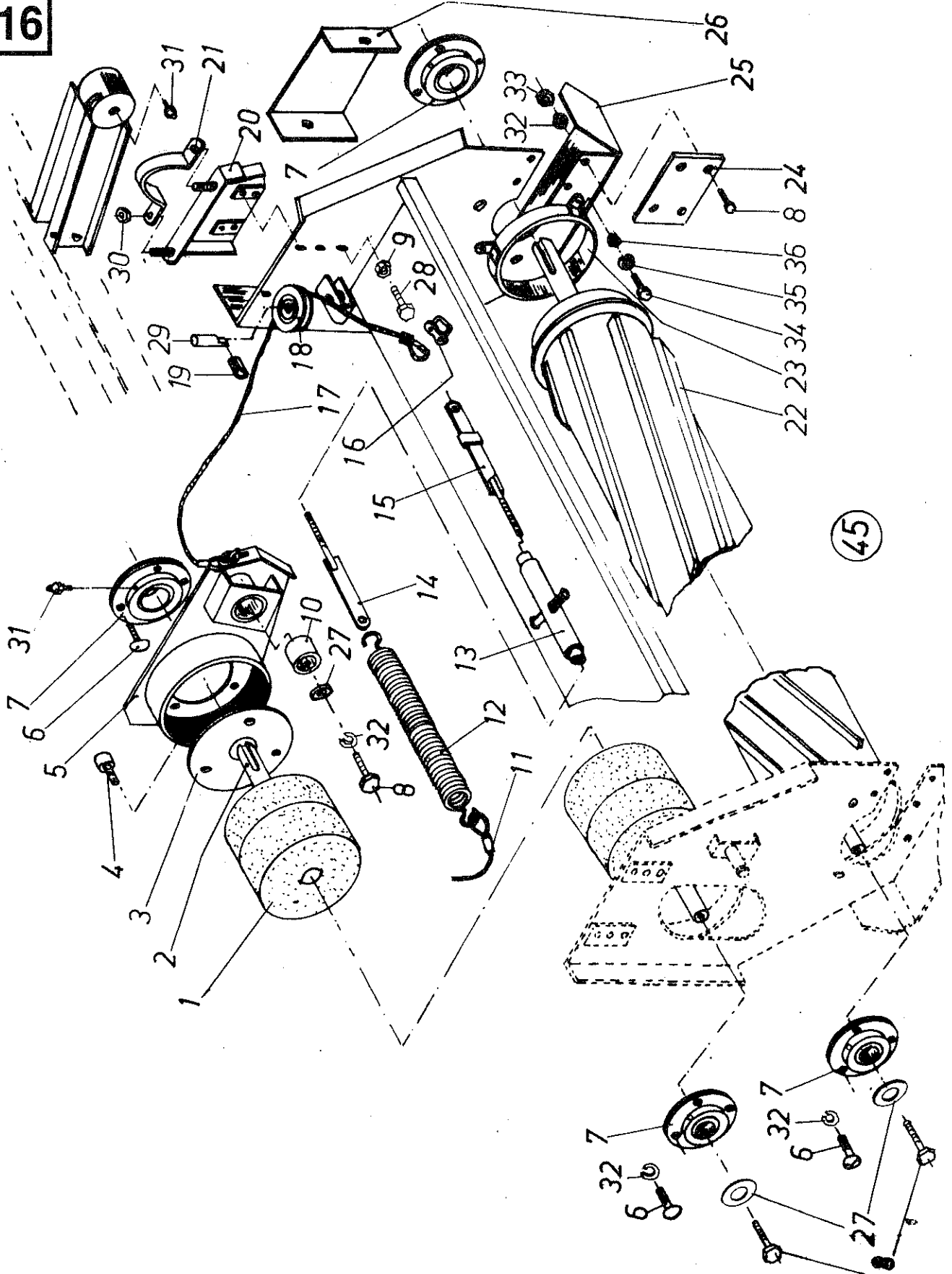
15

Abb. Ill.	Part No. Bestell-Nr.	Bezeichnung	Description
1	250 144 0	Haltebock rechts mit Lagersitz	Carrier bracket with bearing - right hand side
	250 006 3	Haltebock links ohne Lagersitz	Carrier bracket without bearing - left hand side
2	931 577 0	Pendelkugellager 2207	Ball bearing 2207
3	911 668 0	Seegerring J 72 x 2,5	Circlip J 72 x 2,5
4	936 337 0	Simmerring 35 x 72 x 12 B 2	Oil seal 35 x 72 x 12 B 2
5	919 250 0	Tropföler	Drip oiler
6	922 221 0	Antriebskette 1" x 60 Rollen (Renold 110088)	Drive chain 1" x 60 links (Renold 110088)
7	250 075 2	Kettenrad 14 Zähne 1" 35er-Bohrung mit 2 Stellschraubenbohrungen	Sprocket 14 teeth 1", bore 35 mm with holes for 2 set screws
8	922 290 0	gekröpftes Glied 1" (Renold BS 110088)	Stepping link 1" (Renold BS 110088)
9	922 280 0	Verschlußglied 1" (Renold BS 110088)	Joining link 1" (Renold BS 110088)
10	908 512 0	Mutter M 10 flach DIN 439	Nut M 10 DIN 439
11	250 005 1	Antriebswelle Ø 35 x 400	Drive shaft Ø 35 x 400
12	915 130 0	Paßfeder A 10 x 8 x 63	Key A 10 x 8 x 63
13	905 931 0	Stellschraube AM 10 x 8 DIN 916	Set screw AM 10 x 8 DIN 916
14	137 182 0	Stellring 35 ø	Collar 35 ø
15	934 347 0	Dreieckflanschgehäuse DFX 0701 35er Lager	Flange housing for bearing DFX 0701 35 mm bearing
16	934 617 0	Kugellager AEL 207 LLC (35 Bohr.)	Ball bearing AEL 207 LLC (35 bore)
17	919 003 0	Schmiernippel H 1 S 9/Sechskant 8 x 1	Grease nipple H 1 S 9/hexagonal 8 x 1
18	250 021 1	Distanzbuchse ø 35 x ø 46 x ø 55 x 22	Spacer bushing ø 35 x ø 46 x ø 55 x 22
20	915 543 0	Nasenkeil 10 x 8 x 45	Nose-key 10 x 8 x 45
21	250 125 0	Halbrundscheibe ø 11 x ø 55 x 5	Half-round plate ø 11 x ø 55 x 5
22	900 279 0	Schraube M 10 x 25	Bolt M 10 x 25
23	441 085 0	Rotgußbuchse 30 x 36 x 50	Bushing 30 x 36 x 50
24	250 147 0	Kettenspanner	Chain tensioner
25	911 535 0	Seegerring A 30 x 1,5	Circlip A 30 x 1,5
26	250 148 0	Distanzbuchse außen ø 44,5 x 11 breit	Spacer bushing outer ø 44,5 x 11 wide
27	250 060 1	Kettenrad 12 Zähne 1"	Sprocket 12 teeth 1"
28	930 506 0	Kugellager 6006 2 RS	Ball bearing 6006 2 RS
29	911 653 0	Seegerring J 55 x 2	Circlip J 55 x 2
30	905 939 0	Stellschraube AM 10 x 25 DIN 916	Set screw AM 10 x 25 DIN 916
31	250 143 0	Distanzbuchse ø 35 x ø 46 x ø 55 x 16	Spacer bushing ø 35 x ø 46 x ø 55 x 16
32	250 052 1	Spannschraube M 12 x 50	Tensioner bolt M 12 x 50
33	250 067 2	Zugfeder ø 5 x 35 x 150 lang	Spring ø 5 x 35 x 150 long
34	250 084 1	Ölabweiser	Oil kerf
35	250 119 0	Sicherung für Ölabweiser	Safety for oil kerf
36	900 233 0	Schraube M 6 x 10	Bolt M 6 x 10
45	250 026 1	Kettenspanner kpl. Abb. 24-29	Chain adjuster cpl. illustr. 24-29
46	922 120 0	Antriebskette kpl. mit gekröpftes und Verschluß- glied (Renold 110 088) für Normalschnitt	Drive chain cpl. for normal cut
	922 121 0	Antriebskette kpl. mit gekröpftes und Verschluß- glied (Renold 110 088) für Hochschnitt	Drive chain cpl. for high cut



Knickzetter  
Conditioner  
TM 4/270 + TM 4/330

16



445 088 0

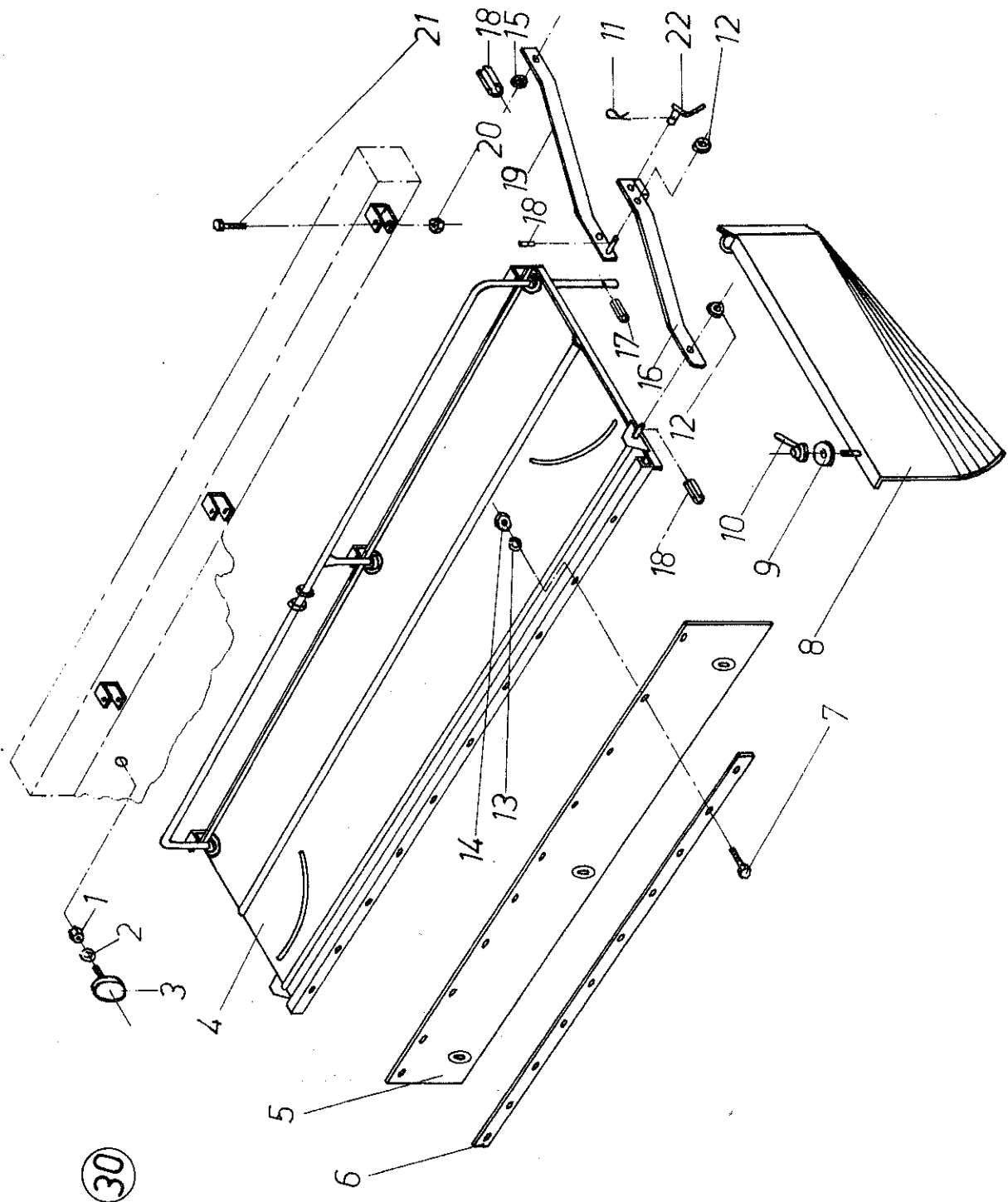
**Knickzetter  
Conditioner  
TM 4/270 + TM 4/330**

**16**

Abb. Ill.	Part No. Bestell-Nr.	Bezeichnung	Description
1	924 259 0	Gummirolle für obere Walze ( $\varnothing$ 169 x 96 je Rolle) übergedreht	Rubber roller section for upper conditioner roller ( $\varnothing$ 169 x 96) overturned
2	250 011 1	Gummiwalze kpl. (TM 4/270) mit 16 Einzelrollen	Rubber roller cpl. (TM 4/270) with 16 single rolls
	252 002 1	Gummiwalze kpl. (TM 4/330) mit 18 Einzelrollen	Rubber roller cpl. (TM 4/330) with 18 single rolls
3	250 014 0	Deckplatte $\varnothing$ 150	Plate $\varnothing$ 150
4	903 360 0	Zylinderschraube DIN 912 M 10 x 25	Allen screw DIN 912 M 10 x 25
5	250 025 1	Pendelarm rechts	Hinges housing right
	250 168 0	Pendelarm links	Hinges housing left
6	904 752 0	Flachrundschraube M 10 x 25	Flat headed screw M 10 x 25
7	934 117 1	Blechlager kpl. $\varnothing$ 35 AELPF 207 nachschmierbar	Bearing cpl. $\varnothing$ 35 AELPF 207
8	900 279 0	Schraube M 10 x 25 DIN 933	Bolt M 10 x 25 DIN 933
10	441 029 0	Rotgußbuchse $\varnothing$ 30 x $\varnothing$ 36 x 30	Bushing $\varnothing$ 30 x $\varnothing$ 36 x 30
11	250 163 0	Drahtseil links 420 mm lang mit Ösen	Cable left 420 mm long with eyes
12	250 086 0	Zugfeder außen $\varnothing$ 77 x 430 mm lang	Spring outer $\varnothing$ 77 x 430 mm long
13	250 087 0	Spannschloß Trapez 20 x 3	Turnbuckle trapezoid 20 x 3
14	250 172 0	Spannschraube links Trapez 20 x 3	Tensioner bolt left trapezoid 20 x 3
15	250 088 0	Spannschraube rechts Trapez 20 x 3	Tensioner bolt right trapezoid 20 x 3
16	922 602 0	Kettenschloß	Joning link
17	250 050 1	Drahtseil rechts 740 mm lang (TM 4/270) mit Ösen	Cable right 740 mm long (TM 4/270) with eyes
	252 026 0	Drahtseil rechts 1095 mm lang (TM 4/330) mit Ösen	Cable right 1095 mm long (TM 4/330) with eyes
18	250 094 0	Seilrolle Guß $\varnothing$ 80 außen	Cable pulley cast iron $\varnothing$ 80 outer
19	912 611 0	Spannhülse 5 x 26	Tension pin 5 x 26
20	250 173 0	Oberteil für Seitenblech rechts	Upper part of side plate right
	250 033 3	Oberteil für Seitenblech links	Upper part of side plate left
	250 192 0	Oberteil für Seitenblech rechts	Upper part of side plate right
	250 191 0	Oberteil für Seitenblech links	Upper part of side plate left
21	250 174 0	Bügel für Oberteil	Clamp for upper part
22	250 155 0	Untere Knickwalze (TM 4/270) Rohrlänge 2135	Lower conditioner roller (TM 4/270) tube length 2135
	252 025 0	Untere Knickwalze (TM 4/330) Rohrlänge 2500	Lower conditioner roller (TM 4/330) tube length 2500
23	250 024 0	Wickelschutz rechts	Antiwrap guard right
24	250 049 0	Blechplatte 5 x 65 x 105	Plate 5 x 65 x 105
25	250 090 0	Rahmen mit Seitenteilen (TM 4/270)	Frame with sides (TM 4/270)
	252 027 0	Rahmen mit Seitenteilen (TM 4/330)	Frame with sides (TM 4/330)
26	250 037 3	Schutzkasten (TM 4/270)	Guard (TM 4/270)
	252 023 0	Schutzkasten (TM 4/330)	Guard (TM 4/330)
27	910 608 0	Scheibe $\varnothing$ 11 x $\varnothing$ 55 x 5 verzinkt	Round plate $\varnothing$ 11 x $\varnothing$ 55 x 5
29	250 096 0	Bolzen für Seilrolle $\varnothing$ 20 x 48	Pin for cable pulley $\varnothing$ 20 x 48
30	908 515 0	Flachmutter M 12 DIN 439	Flat nut M 12 DIN 439
31	919 003 0	Schmiernippel H 1 S 9/Sechskant	Grease nipple H 1 S 9/hexagonal
32	910 011 0	Federring B 10 DIN 127	Spring washer B 10 DIN 127
33	908 012 0	Mutter M 10 DIN 934	Nut M 10 DIN 934
34	900 259 0	Schraube M 8 x 25 DIN 933	Bolt M 8 x 25 DIN 133
35	910 010 0	Federring B 8 DIN 127	Spring washer B 8 DIN 127
36	908 010 0	Mutter M 8 DIN 934	Nut M 8 DIN 934
④	250 118 0	Knickzetter komplett (TM 4/270)	Conditioner complete (TM 4/270)
		Abb. 1-36 und auf Seite 48 Abb. 18-33	illustr. 1-36 and side 48 illustr. 18-33
	252 028 0	Knickzetter komplett (TM 4/330) wie vorher beschrieben	Conditioner complete (TM 4/330) as described above

Schwadhaube  
Swath hood  
TM 4/270 + TM 4/330

17



445 089 0

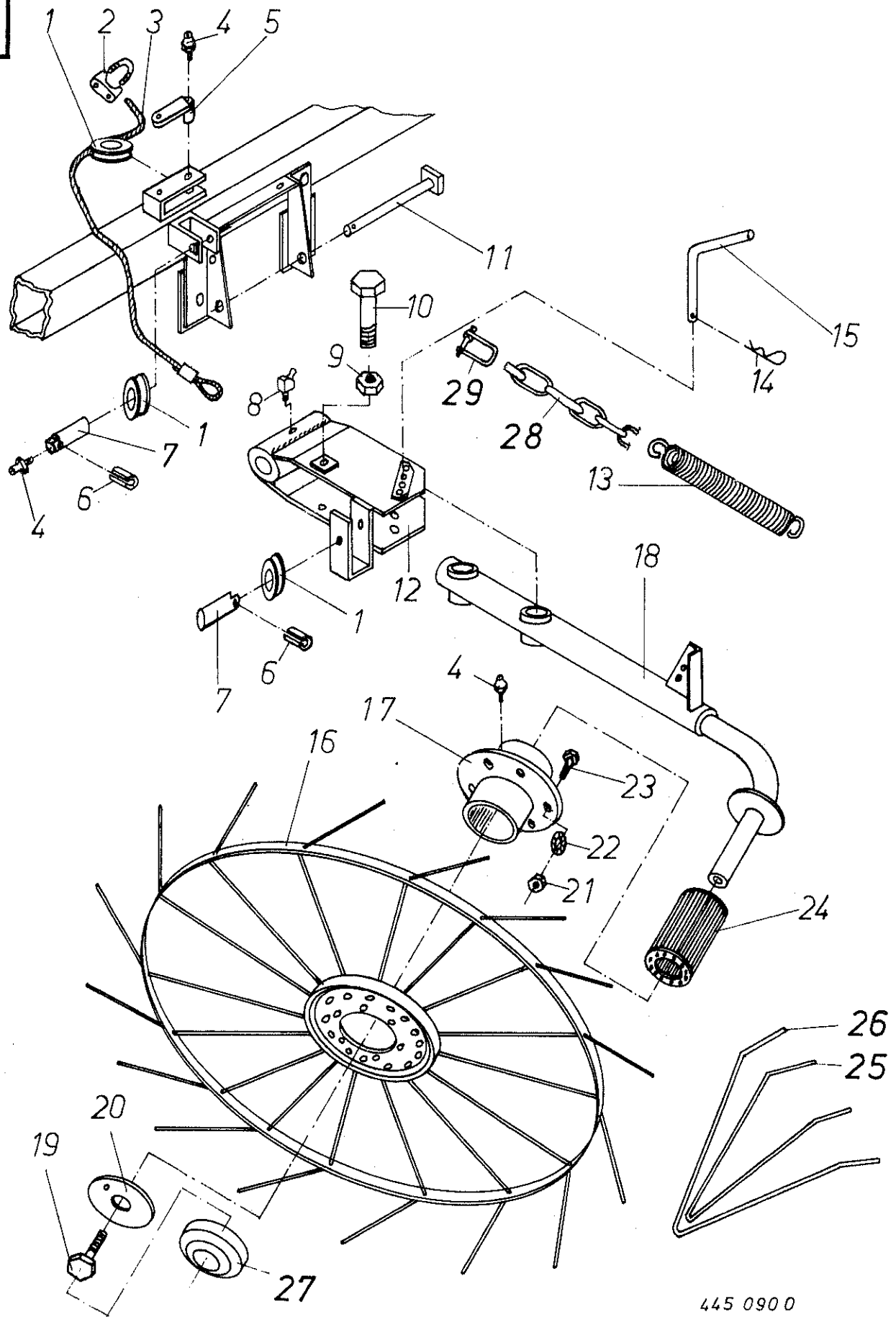
**Schwadhaube**  
**Swath hood**  
**TM 4/270 + TM 4/330**

17

Abb. Ill.	Part No. Bestell-Nr.	Bezeichnung	Description
1	908 015 0	Mutter M 12 DIN 934	Nut M 12 DIN 934
2	910 012 0	Federring B 12 DIN 127	Spring washer B 12 DIN 127
3	924 261 0	Gummipuffer $\varnothing$ 75 x 25 dick	Rubber stopper $\varnothing$ 75 x 25 thick
4	250 181 0	Schwadhaube (TM 4/270)	Swath hood (TM 4/270)
	252 029 0	Schwadhaube (TM 4/330)	Swath hood (TM 4/330)
5	250 106 0	Abstreifgummi	Scraper rubber
6	250 107 0	Klemmband	Clamping band
7	900 235 0	Schraube M 6 x 16 DIN 933	Bolt M 6 x 16 DIN 933
8	250 045 2	Schwadblech (TM 4/270) links	Swath board (TM 4/270) left
	250 182 0	Schwadblech (TM 4/270) rechts	Swath board (TM 4/270) right
	252 009 1	Schwadblech (TM 4/330) links	Swath board (TM 4/330) left
	252 030 0	Schwadblech (TM 4/330) rechts	Swath board (TM 4/330) right
9	910 642 0	Scheibe $\varnothing$ 13 x $\varnothing$ 70 x 6	Round plate $\varnothing$ 13 x $\varnothing$ 70 x 6
10	909 520 0	Kegelgriff M 12 DIN 99	Cone hold M 12 DIN 99
11	917 104 0	Federstecker 4 DIN 11024	Spring clip 4 DIN 11024
12	910 317 0	Scheibe $\varnothing$ 17 x 30 x 3	Round plate $\varnothing$ 17 x 30 x 3
13	910 008 0	Federring B 6 DIN 127	Spring washer B 6 DIN 127
14	908 008 0	Mutter M 6 DIN 934	Nut M 6 DIN 934
15	910 319 0	Scheibe B 21 x 37 x 3 DIN 125	Round plate B 21 x 37 x 3 DIN 125
16	250 117 0	kurze Strebe für Schwadhaube	Short stay for swath hood
17	912 674 0	Spannstift 8 x 40 DIN 1481	Tension pin 8 x 40 DIN 1481
18	912 644 0	Spannstift 6 x 40 DIN 1481	Tension pin 6 x 40 DIN 1481
19	250 116 0	lange Strebe für Schwadhaube	Long stay for swath hood
20	908 711 0	Mutter selbstsichernd M 12	Self-locking nut M 12
21	901 083 0	Schraube M 12 x 60 DIN 931	Bolt M 12 x 60 DIN 931
22	250 122 0	Steckbolzen $\varnothing$ 16 x 30	Pin $\varnothing$ 16 x 30
Ⓒ	250 042 3	Schwadhaube kpl. (TM 4/270) Abb. 4-7, 13, 14	Swath hood cpl. (TM 4/270) illustr. 4-7, 13, 14
	252 008 1	Schwadhaube komplett (TM 4/330) Abb. 4a, 5-7, 13, 14	Swath hood complete (TM 4/330) illustr. 4a, 5-7, 13, 14

Einschwadablage  
Single swath attachment  
TM 4/270 + TM 4/330

18



445 090 0

**Einschwadablage**  
**Single swath attachment**  
**TM 4/270 + TM 4/330**

Abb. Ill.	Part No. Bestell-Nr.	Bezeichnung	Description
1	250 094 0	Seilrolle Guß Ø 80 außen	Cable pulley cast iron Ø 80 outer
2	917 607 0	Seilklemme 13	Cable clamps 13
3	147 296 0	Drahtseil Ø 8 x 1500	Cable Ø 8 x 1500
4	919 003 0	Schmiernippel H 1 S 9/Sechskant	Grease nipple H 1 S 9/hexagonal
5	147 273 0	Bolzen für Seilrolle Ø 20 x 42	Pin for cable pulley Ø 20 x 42
6	912 611 0	Spannhülse Ø 5 x 26	Tension pin Ø 5 x 26
7	250 096 0	Bolzen für Seilrolle Ø 20 x 48	Pin for cable pulley Ø 20 x 48
8	919 103 0	Schmiernippel H 2 S 9/Sechskant	Grease nipple H 2 S 9/hexagonal
9	908 716 0	Mutter M 16 selbstsichernd	Self-locking nut M 16
10	901 140 0	Schraube M 16 x 95	Bolt M 16 x 95
11	147 179 1	Bolzen für Gelenktasche Ø 25 x 186	Pin for hinged bracket Ø 25 x 186
12	147 416 0	Gelenktasche links	Hinged bracket left
	147 417 0	Gelenktasche rechts	Hinged bracket right
13	018 119 0	Zugfeder mit Kette	Spring with chain
14	917 104 0	Federstecker 4 DIN 11024	Spring clip 4 DIN 11024
15	147 186 1	Steckbolzen Ø 16 x 175	Pin Ø 16 x 175
16	928 301 0	Sternrad links	Spider wheel left
	928 302 0	Sternrad rechts	Spider wheel right
17	928 305 0	Nabe	Hub
18	147 171 1	Sternradhalter rechts	Spider wheel bracket right
	147 410 0	Sternradhalter links	Spider wheel bracket left
19	900 277 0	Schraube M 10 x 20	Bolt M 10 x 20
20	928 306 0	Scheibe	Round plate
21	908 012 0	Mutter M 10 DIN 934	Nut M 10 DIN 934
22	909 805 0	Fächerscheibe J M 10 x 16 DIN 6797	Round fan plate J M 10 x 16 DIN 6797
23	900 281 0	Schraube M 10 x 30	Bolt M 10 x 30
24	935 015 0	Rollenlager 33 216/100	Roll bearing 33 216/100
25	928 303 0	Sternradzinken kurz	Tine short for spider wheel
26	928 304 0	Sternradzinken lang	Tine long for spider wheel
27	928 307 0	Staubkappe	Rust cape
28	922 517 0	Rundstahlkette 9 Glieder	Steel chain 9 links
29	918 203 0	Schäkel A 2,5	Clevis A 2,5







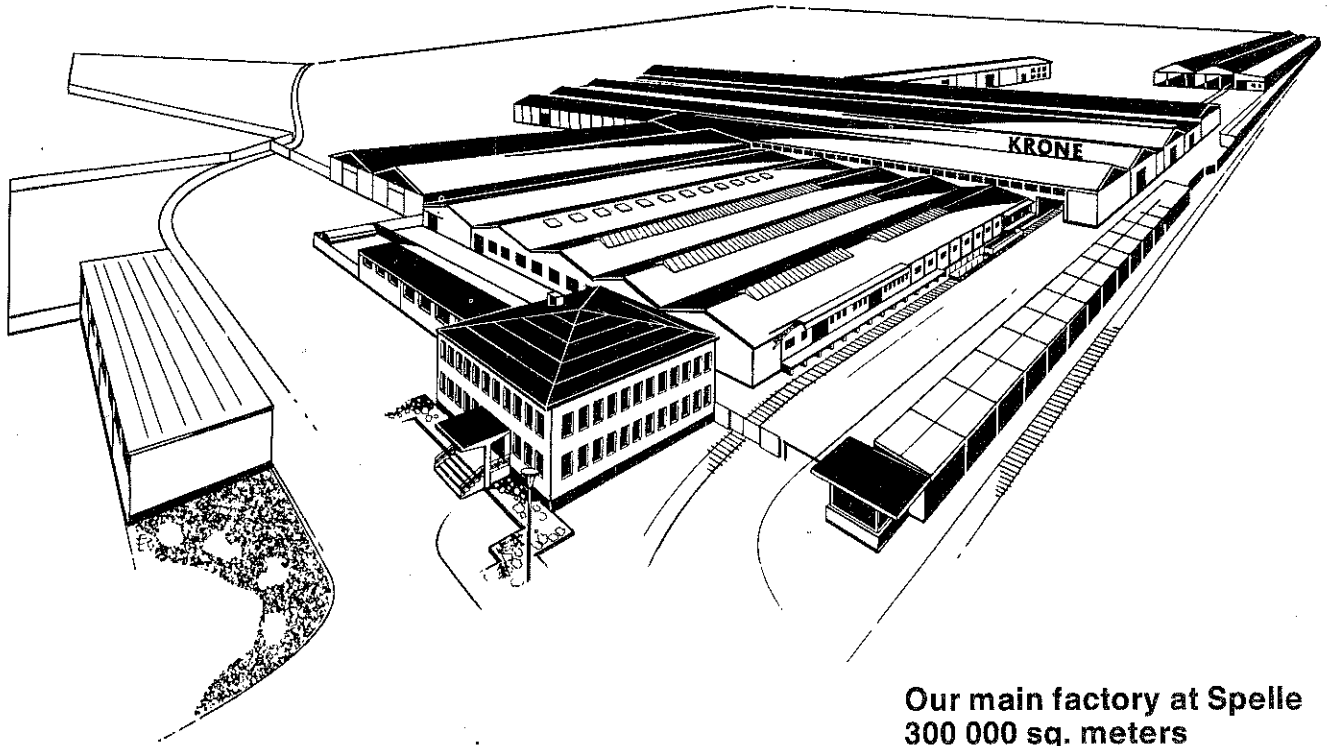




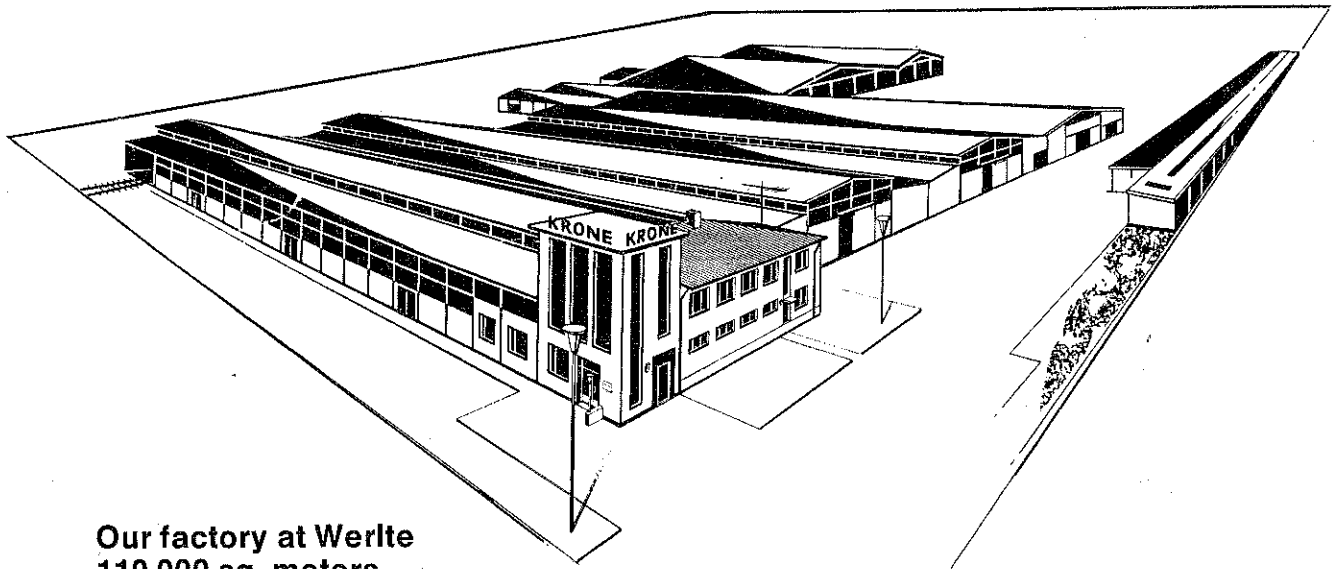








**Our main factory at Spelle  
300 000 sq. meters**



**Our factory at Werlte  
110 000 sq. meters**