

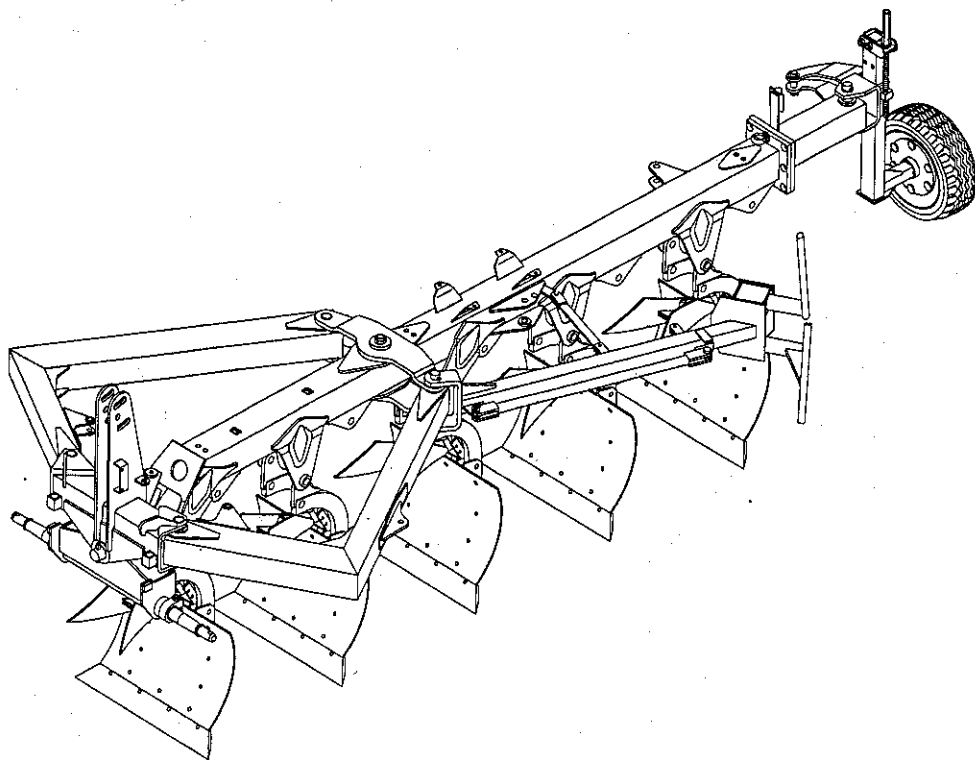


KRONE

ERSATZTEILE

SPARE PARTS

PIÈCES DETACHEES



Allround
RL 180/5-7 Non Stop

ab Masch.-Nr.
from mach.-no.
à partir de mach.-no. 355 500

1-466-0

| INHALTSVERZEICHNIS | TABLE OF CONTENTS | TABLE DES MATIERES | TAFEL DIAGRAM DIAGRAMME |
|--|---------------------------------------|--|-------------------------------|
| Freipunktbock | Headstock | Cadre d'attelage | 1.0 |
| Trägerarm | Carrier arm | Bras porteur | 2.0 |
| Rahmen und Brücke | Frame and connecting strap | Bâti et pont | 3.0 |
| Spurweitenanpassung | Track width adjusting device | Adaptation à la largeur de voie | 4.0 |
| Pflugkörper - Stroheinweisblech | Plough body | Corps de labour | 5.0 |
| Hydraulik 5 Schar Grundholm | Hydraulics 5 Share | Système hydraulique 5 Soc | 6.0 |
| Hydraulik 6 Schar Grundholm | Hydraulics 6 Share | Système hydraulique 6 Soc | 7.0 |
| Hydraulikspeicher | Hydraulic - reservoir | Reservoir hydraulique | 8.0 |
| Hydraulische Steinsicherung | Hydraulic stone security | Sécurité Non-Stop hydraulique | 9.0 |
| Hydraulische Steinsicherung | Hydraulic stone security | Sécurité Non-Stop hydraulique | 10.0 |
| Hydraulische Steinsicherung | Hydraulic stone security | Sécurité Non-Stop hydraulique | 11.0 |
| Packerausleger mechanisch | Mech.-operated packer arm | Bras pour outil combiné, à commande méca | 12.0 |
| Hydraulischer Packerausleger (Mechanik) | Hydr. operated packer arm (mechanic) | Support mécanique pour rouleau latéral | 13.0 |
| Hydraulischer Packerausleger (Hydraulik) | Hydr. operated packer arm (hydraulic) | Support hydraulique pour rouleau latéral | 14.0 |
| Stützrad kpl. | Support wheel cpl | Roue support cpl | 15.0 |
| Stützradholm | Depth wheel beam | Support de roue | 16.0 |

Erläuterungen
Illustration
Illustration

Tafel-Nr.
No. of diagram
No. de diagramme

Nr. der Zeichnung, die zu dieser Seite gehört
No. of drawing belonging to this page
No. du dessin appartenant à cette page

Gültigkeit dieser Tafel
Validity of this diagram
Validité du diagramme

Maschinentypen
Type of machines
Type de machines

Nr. dieser Ersatzteilliste
No. of this spare part list
No. de cette liste des pièces de rechange

Benennung dieser Tafel
Denomination of this diagram
Dénomination du diagramme

Gültigkeit dieses Teiles
Validity of this part
Validité de cette pièce

GEHÄUSE VORN
FRAME FRONT
BÂTI AVANT

| Pos. | ID-Nr. | Benennung | Description | Description |
|------|-----------|---------------------|-----------------|--------------------------------|
| 1 | 900 612 0 | 6kt-Schraube | Hex head bolt | Boulon tete hex |
| 2 | 910 413 0 | Scheibe | Washer | Rondelle |
| 3 | 900 638 0 | 6kt-Schraube | Hex head bolt | Boulon tete hex |
| 4 | 910 111 1 | Federring | Spring washer | Rondelle elastique |
| 5 | 908 212 0 | 6kt-Mutter | Hex nut | Ecrou hex |
| 6 | 276 753 0 | Schutz - Garnkasten | Twine box guard | Toile de protect.boite ficelle |

| | | |
|-------------------|----------------------------|-----------|
| 323 600 - 346 600 | K R 8 - 1 6 | 1-276-3 |
| Masch.-Nr. | | 447 573 2 |
| 323 600 330 000 | X | 1.0 |
| 344 600 346 600 | X | |
| | X | |
| | X | |
| | X | |
| | X | |
| | x | |

Bemerkung/Remarks/Remarque

- M 8 x 16
- A 8,4
- M 10 x 35
- B 10
- M 10

Dieses Ersatzteil ist gültig ab Masch.-Nr. 344 600
This spare part is valid from mach. no. 344 600
Cette pièce de rechange est valable à partir de no. de machine 344 600

Dieses Ersatzteil ist gültig von Masch.-Nr. 323 600 bis Masch.-Nr. 330 000
This spare part is valid from mach. no. 323 600 up to mach. no. 330 000
Cette pièce de rechange est valable à partir de no. de machine 323 600 jusqu'au no. 330 000

Dieses Ersatzteil ist gültig bis Masch.-Nr. 346 600
This spare part is valid up to mach. no. 346 600
Cette pièce de rechange est valable jusqu'au no de machine 346 600

Anzahl Teile je Typ
X = nach Bedarf
Kein Eintrag = Keine Verwendung für diesen Typ

Quantity of parts for each type
x = as needed
No entry = No use for this type

Quantité de pièces de chaque type
X = selon besoin
Aucune inscription = Pas d'utilisation pour ce type

Bestell-Nr.
Order no.
No. de commande

Position des Ersatzteiles in der Zeichnung
Position of the spare part in the drawing
Position de la pièce de rechange au dessin

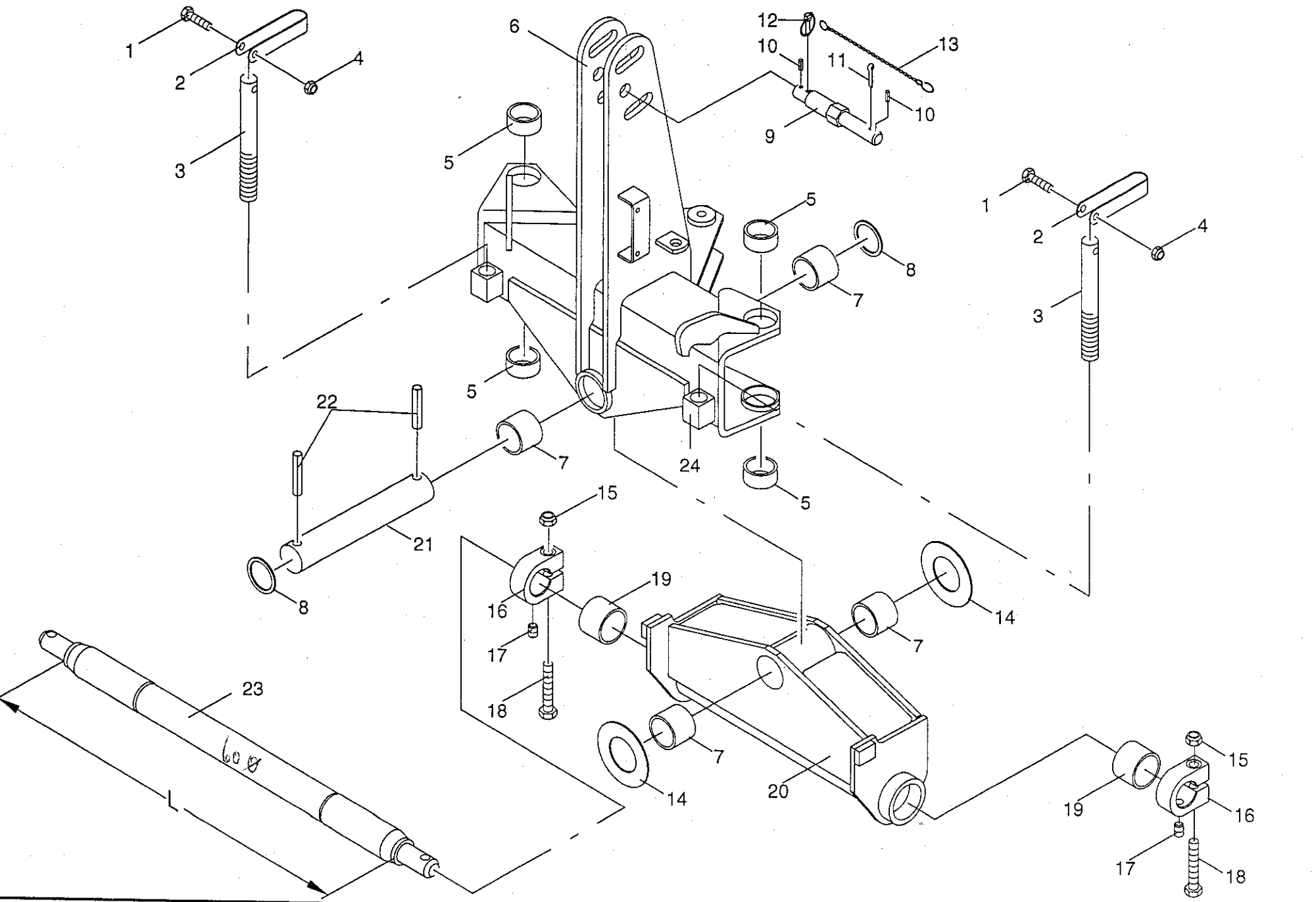
DREIPUNKTBOCK
HEADSTOCK
CADRE D'ATTELAGE

344 406 -

1-466-0
1.0

447 830 0

| Pos. | ID-Nr. | Benennung | Description | Description | Masch.-Nr. | R | R | R | Bemerkung/Remarks/Remarque |
|------|-----------|---------------------|--------------------|---------------------|------------|---|---|---|------------------------------------|
| | | | | | | L | L | L | |
| | | | | | | 1 | 1 | 1 | |
| | | | | | | 8 | 8 | 8 | |
| | | | | | | 0 | 0 | 0 | |
| | | | | | | 7 | 7 | 7 | |
| | | | | | | 5 | 6 | 7 | |
| 1 | 900 302 0 | 6kt-Schraube | Hex head bolt | Boulon tete hex | | X | X | X | M 12 X 50 |
| 2 | 462 809 0 | Griff | Handle | Poignee | | 2 | 2 | 2 | |
| 3 | 465 241 1 | Spindel | Spindle | Tige filetee | | 2 | 2 | 2 | |
| 4 | 908 711 1 | Sicherungsmutter | Hex nut | Ecrou 6 pans | | X | X | X | 30x295 NM 12 |
| 5 | 935 706 0 | Einspannbuchse | Clamp bush | Tube eg | | X | X | X | EG 50/60 X 28 |
| 6 | 465 231 0 | Oberteil | Top part headstock | Partie superieuer | | 1 | 1 | 1 | incl.Abb.5,7,24 |
| 7 | 935 705 0 | Einspannbuchse | Clamp bush | Tube eg | | X | X | X | EG 55/65 X 50 |
| 8 | 910 703 0 | Stützscheibe | Washer | Rondelle | | X | X | X | S 55 X 68 X 3,0 |
| 9 | 462 804 2 | Oberlenkerbolzen | Upper link pin | Axe du 3ieme point | | 1 | 1 | 1 | Kat II / III |
| 10 | 912 669 0 | Spannhülse | Roll pin | Goupille de serrage | | X | X | X | 7 X 20 |
| 11 | 912 287 1 | Splint | Split pin | Goupille fendue | | X | X | X | 5 x 32 |
| 12 | 917 006 0 | Klappstecker | Linch pin | Goupille clip | | X | X | X | 6 X 42 |
| 13 | 922 650 0 | Knotenkette | Chain | Chaine | | X | X | X | |
| 14 | 935 312 0 | Lagerscheibe | Washer | Rondelle | | X | X | X | 1,8 x 14 67 X 125 X 2,7 |
| 15 | 908 716 1 | Sicherungsmutter | Hex nut | Ecrou 6 pans | | X | X | X | NM 16 |
| 16 | 465 243 2 | Klemmring | Lock collar | Bague de serrage | | 2 | 2 | 2 | |
| 17 | 905 974 0 | Gewindestift | Allen screw | Goupille filetee | | X | x | x | M 16 X 20 |
| 18 | 901 141 1 | 6kt-Schraube | Hex head bolt | Boulon tete hex | | x | x | x | M 16 X 100 |
| 19 | 935 710 0 | Einspannbuchse | Clamp bush | Tube eg | | X | X | X | 60/70 X 50 |
| 20 | 465 239 0 | Unterteil | Bottom part | Partie inferieuer | | 1 | 1 | 1 | incl.Abb.7,19 |
| 21 | 465 064 0 | Lagerbolzen | Bolt | Axe de fixation | | X | X | X | Rd. 55 X 328 |
| 22 | 912 854 1 | Spannhülse | Roll pin | Goupille de serrage | | X | X | X | 16 X 90 |
| 23 | 463 372 0 | Zugwelle | Bottom linkage | Barre de liaison | | 1 | 1 | 1 | Kat III (L= 965) Laenge Kat |
| 23 | 463 373 0 | Zugwelle | Bottom linkage | Barre de liaison | | 1 | 1 | 1 | Kat III (L= 825) |
| 24 | 465 071 0 | Vierkant-Mutter | Nut | Ecrou | | 2 | 2 | 2 | |
| | 461.3780 | Ringschlüssel 14-30 | | | | | | | |



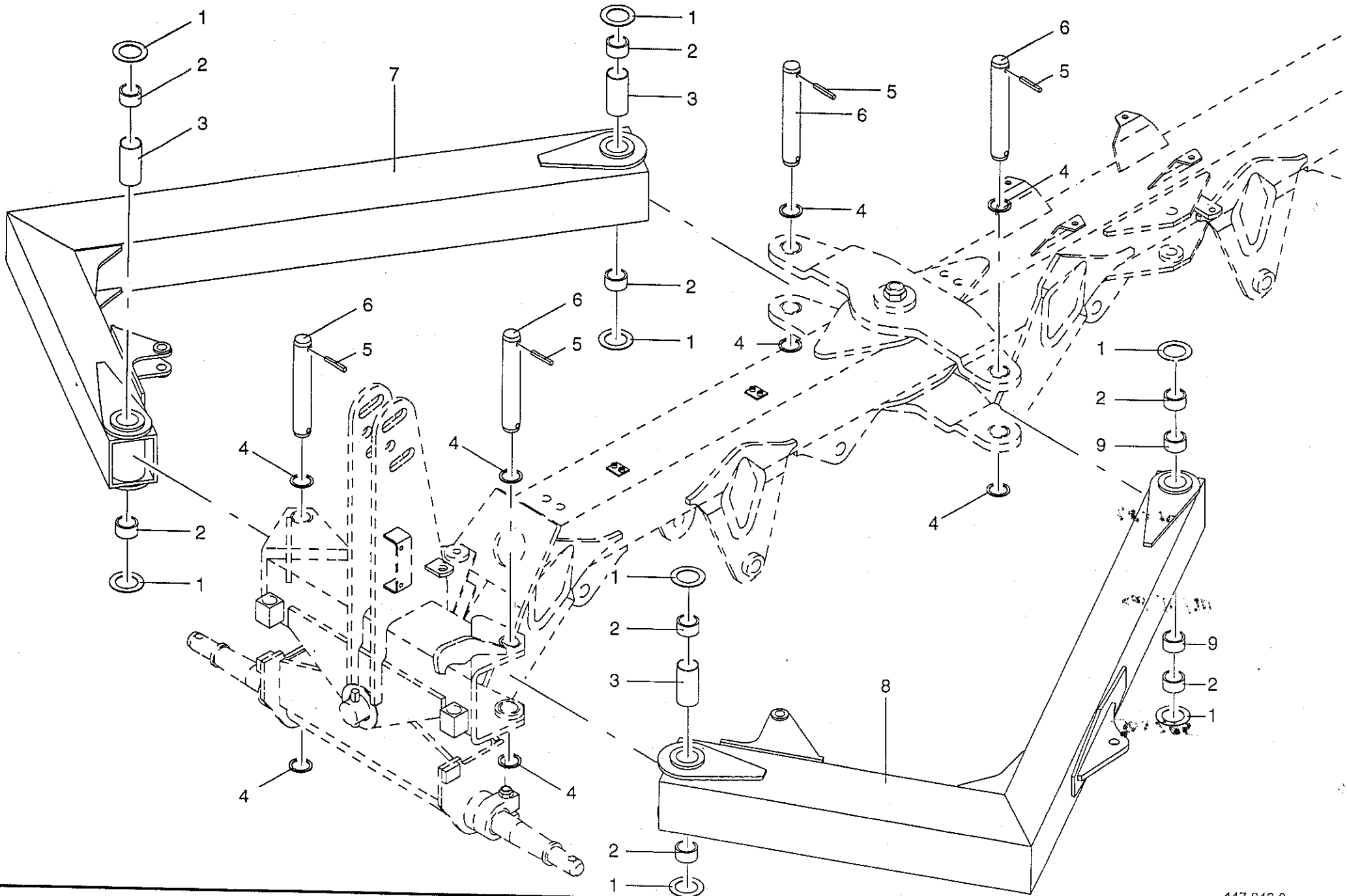
LAGERARM
CARRIER ARM
BRAS PORTEUR

344 406 -

1-466-0
2.0

| Pos. | ID-Nr. | Benennung | Description | Description | Masch.-Nr. | R | R | R | Bemerkung/Remarks/Remarque |
|------|-----------|----------------|------------------|---------------------|------------|---|---|---|----------------------------|
| | | | | | | L | L | L | |
| | | | | | | 1 | 1 | 1 | |
| | | | | | | 8 | 8 | 8 | |
| | | | | | | 0 | 0 | 0 | |
| | | | | | | / | / | / | |
| | | | | | | 5 | 6 | 7 | |
| 1 | 935 311 0 | Lagerscheibe | Washer | Rondelle | | | | | |
| 2 | 935 704 0 | Einspannbuchse | Clamp bush | Tube eg | | X | X | X | 62 X 100 X 2,7 |
| 3 | 465 384 0 | Distanzbuchse | Distance bushing | Entretoise | | X | X | X | EG 50/60 X 40 |
| 4 | 910 735 1 | Stützscheibe | Washer | Rondelle | | X | X | X | 63.5x7.1x110 |
| 5 | 912 720 0 | Spannhülse | Roll pin | Goupille de serrage | | X | X | X | S 50 X 62 X 3,2 |
| 6 | 465 245 1 | Lagerbolzen | Bolt | Axe de fixation | | X | X | X | 10 X 70 |
| 7 | 465 249 1 | Arm rechts | Rh arm | Bras droit | | 4 | 4 | 4 | |
| 8 | 465 251 1 | Arm links | Lh arm | Bras cote gauche | | 1 | 1 | 1 | incl. Abb. 2,3 |
| 9 | 935 706 0 | Einspannbuchse | Clamp bush | Tube eg | | 1 | 1 | 1 | incl. Abb. 2,3,9 |
| | | | | | | X | X | X | EG 50/60 X 28 |

447 843 0



RAHMEN UND BRÜCKE
 FRAME AND CONNECTING STRAP
 BÂTI ET PONT

344 406 -

R
L
1
8
0
/
5

R
L
1
8
0
/
6

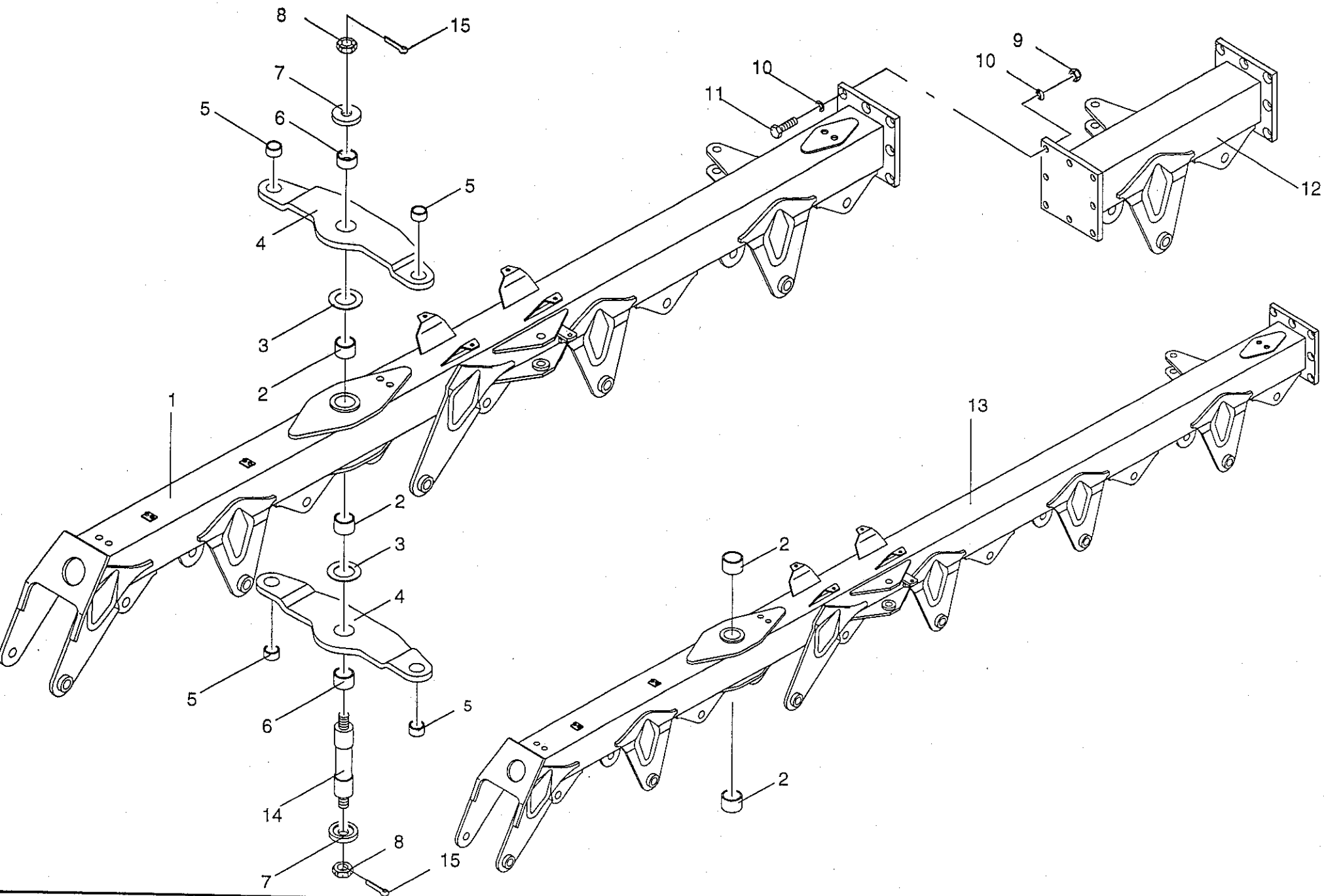
R
L
1
8
0
/
7

1-466-0

447 844 0

3.0

| Pos. | ID-Nr. | Benennung | Description | Description | Masch.-Nr. | R L 1 8 0 / 5 | R L 1 8 0 / 6 | R L 1 8 0 / 7 | Bemerkung/Remarks/Remarque |
|------|-----------|-------------------|------------------|--------------------|------------|---------------------------------|---------------------------------|---------------------------------|----------------------------|
| 1 | 465 012 0 | Grundholm | Beam | Poutre | | 1 | 1 | 1 | incl. Abb. 2 |
| 2 | 935 705 0 | Einspannbuchse | Clamp bush | Tube eg | | X | X | X | EG 55/65 X 50 |
| 3 | 935 312 0 | Lagerscheibe | Washer | Rondelle | | X | X | X | 67 X 125 X 2,7 |
| 4 | 465 247 1 | Brücke | Connecting strap | Pont | | 2 | 2 | 2 | incl. Pos 5 und 6) |
| 5 | 935 706 0 | Einspannbuchse | Clamp bush | Tube eg | | X | X | X | EG 50/60 X 28 |
| 6 | 935 711 0 | Einspannbuchse | Clamp bush | Tube eg | | X | X | X | EG 55/65 X 28 |
| 7 | 465 060 0 | Druckscheibe | Pression disc | Disque de pression | | X | X | X | 100 x 22 |
| 8 | 908 943 0 | Kronenmutter | Castellated nut | Ecrou crenele plat | | X | X | X | M 36 X 1,5 |
| 9 | 908 721 0 | Sicherungsmutter | Hex nut | Ecrou 6 pans | | X | X | X | NM 20 |
| 0 | 910 216 0 | Federring | Spring washer | Rondelle elastique | | X | X | X | C 20,5 |
| 1 | 901 505 0 | 6kt-Schraube | Hex head bolt | Boulon tete hex | | X | X | X | M 20 X 70 |
| 2 | 465 058 1 | Verlängerungsholm | Extension | Prolongement | | 1 | 1 | 1 | |
| 3 | 465 285 0 | Grundholm | Beam | Poutre | | 1 | 1 | 1 | incl. Pos. 2 |
| 4 | 465 059 0 | Gewindebolzen | Threaded bolt | Boulon filete | | 1 | 1 | 1 | 60 x 375 |
| 5 | 912 111 1 | Splint | Split pin | Goupille fendue | | X | X | X | 6,3 X 50 |



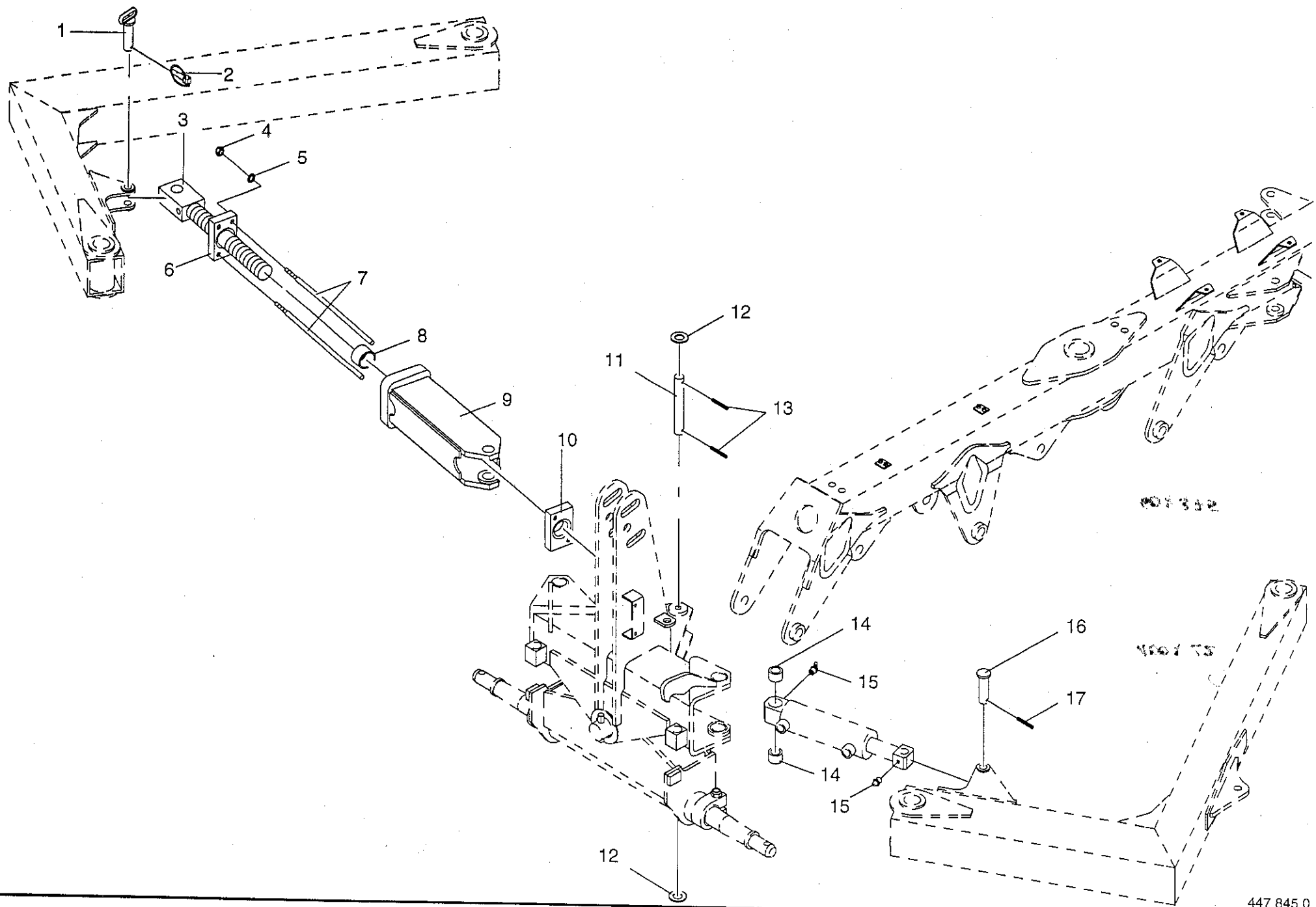
ADAPTION A LA LARGEUR DE VOIE
 TRACK WIDTH ADJUSTING DEVICE
 PURANPASSUNG

344 406 -

1-466-0
4.0

447 845 0

| No. | ID-Nr. | Benennung | Description | Description | Masch.-Nr. | R | R | R | | Bemerkung/Remarks/Remarque |
|-----|-----------|-----------------------------|------------------|---------------------|------------|---|---|---|--|----------------------------|
| | | | | | | L | L | L | | |
| | | | | | | 1 | 1 | 1 | | |
| | | | | | | 8 | 8 | 8 | | |
| | | | | | | 0 | 0 | 0 | | |
| | | | | | | 7 | 7 | 7 | | |
| | | | | | | 6 | 6 | 6 | | |
| | | | | | | 5 | 5 | 5 | | |
| | | | | | | 4 | 4 | 4 | | |
| | | | | | | 3 | 3 | 3 | | |
| | | | | | | 2 | 2 | 2 | | |
| | | | | | | 1 | 1 | 1 | | |
| 1 | 465 304 0 | Bolzen | Pin | Axe | | | | | | |
| 2 | 917 006 0 | Klapstecker | Linch pin | Goupille clip | | X | X | X | | |
| 3 | 465 290 1 | Spindel | Spindle | Tige filetee | | X | X | X | | 6 X 42 |
| 4 | 908 704 1 | Sicherungsmutter | Hex nut | Ecrou 6 pans | | X | X | X | | incl. Abb. 6 |
| 5 | 910 411 1 | Scheibe | Washer | Rondelle | | X | X | X | | NM 6 |
| 6 | 465 293 1 | Stellmutter (Linksgewinde) | Adjusting nut | Ecrou de reglage | | X | X | X | | A 6,4 |
| 7 | 465 385 0 | Führungsstange | Guide pin | Tige conductrice | | X | X | X | | |
| 8 | 465 296 0 | Lagerbuchse | Bearing bush | Coussinet | | X | X | X | | |
| 9 | 465 287 0 | Stellstück | Adjusting member | Element de reglage | | X | X | X | | |
| 10 | 465 292 1 | Stellmutter (Rechtsgewinde) | Adjusting nut | Ecrou de reglage | | X | X | X | | incl. Abb. 8 |
| 11 | 465 301 0 | Bolzen | Pin | Axe | | X | X | X | | |
| 12 | 910 516 1 | Scheibe | Washer | Rondelle | | X | X | X | | 30x165 |
| 13 | 912 717 0 | Spannhülse | Roll pin | Goupille de serrage | | X | X | X | | 33 |
| 14 | 460 322 1 | Buchse | Bushing | Douille | | X | X | X | | 10 X 55 |
| 15 | 919 003 0 | Kegel-Schmiernippel | Grease nipple | Graisiseur conique | | X | X | X | | 30x20 |
| 16 | 462 448 2 | Bolzen m. Hl. Kopf | Pin | Axe | | X | X | X | | H1/S M8 X 1 |
| 17 | 912 646 0 | Spannhülse | Roll pin | Goupille de serrage | | X | X | X | | 6 X 50 |



FLUGKÖRPER - STROHEINWEISBLECH
 BLOUGH BODY
 CORPS DE LABOUR

355 500 -

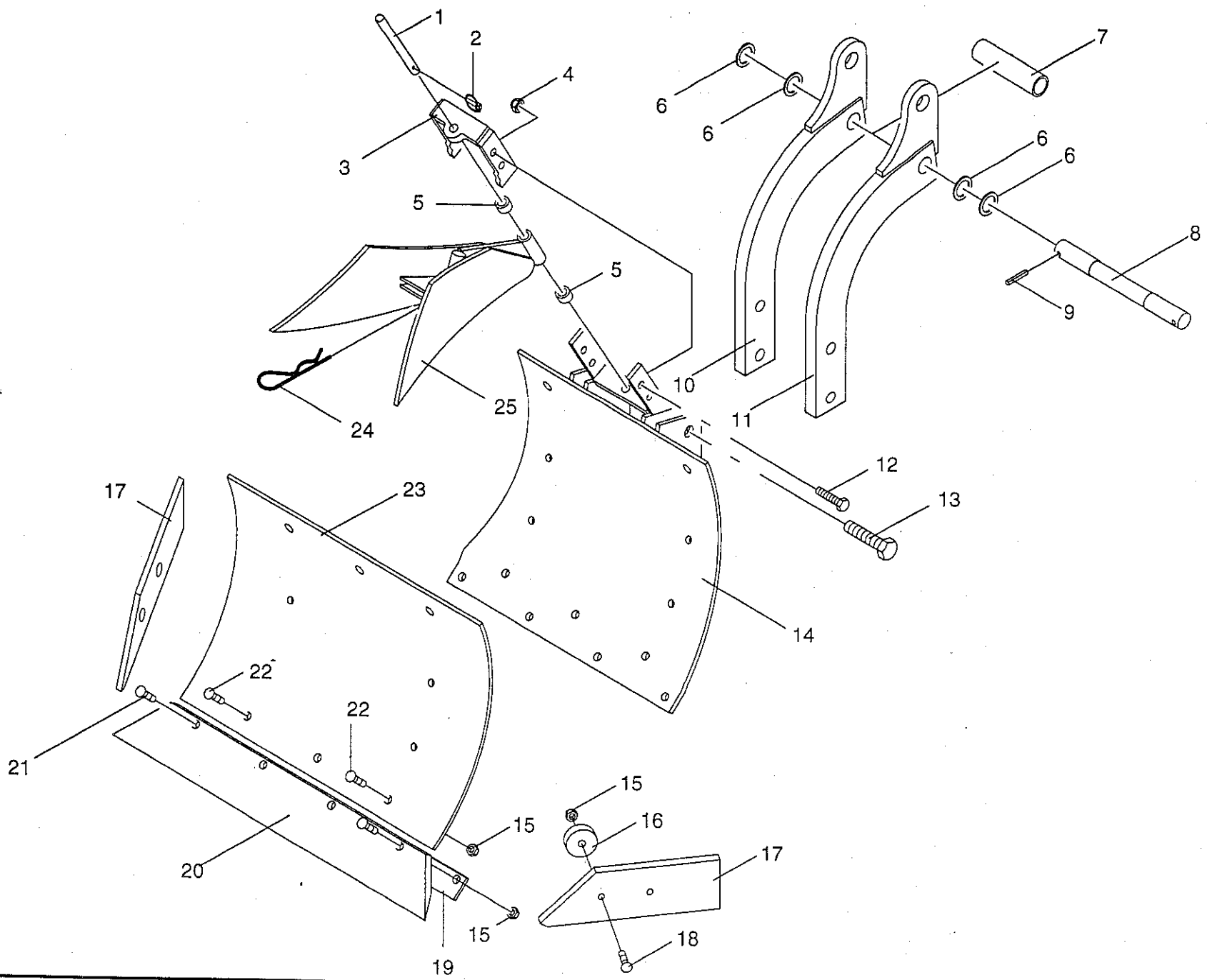
R L
1 8 0 / 5
R L
1 8 0 / 6
R L
1 8 0 / 7

1-466-0

447 840 0

5.0

| s. | ID-Nr. | Benennung | Description | Description | Masch.-Nr. | R L 1 8 0 / 5 | R L 1 8 0 / 6 | R L 1 8 0 / 7 | Bemerkung/Remarks/Remarque |
|----|-----------|------------------|-------------------|------------------------|------------|------------------|------------------|------------------|---|
| 1 | 015 756 3 | Bolzen | Pin | Axe | | 5 | 6 | 7 | |
| 2 | 917 004 1 | Klappstecker | Linch pin | Goupille clip | | X | X | X | 5 x 32 |
| 3 | 465 185 0 | Halter | Support | Support | | 5 | 6 | 7 | |
| 4 | 908 711 1 | Sicherungsmutter | Hex nut | Ecrou 6 pans | | X | X | X | NM 12 |
| 5 | 465 192 0 | Hülse | Cover | Douille | | 10 | 12 | 14 | |
| 6 | 910 702 0 | Stützscheibe | Washer | Rondelle | | X | X | X | S 30 x 42 x 2,5 |
| 7 | 465 270 0 | Distanzstück | Spacer | Piece d'entretoisement | | 5 | 6 | 7 | |
| 8 | 465 267 0 | Grindelbolzen | Pin - leg | boulon de timon | | 5 | 6 | 7 | |
| 9 | 912 675 0 | Spannhülse | Roll pin | Goupille de serrage | | X | X | X | 35 x 292 8 x 45 |
| 0 | 465 348 0 | Grindel rechts | Leg right | Age droit | | 5 | 6 | 7 | |
| 1 | 465 349 0 | Grindel Links | Leg left | Age gauche | | 5 | 6 | 7 | |
| 2 | 900 656 0 | 6kt-Schraube | Hex head bolt | Boulon tete hex | | X | X | X | M 12 x 30 |
| 3 | 901 504 0 | 6kt-Schraube | Hex head bolt | Boulon tete hex | | X | X | X | M 20 x 65 |
| 4 | 465 347 0 | Brustblech | Breast | Ventre | | 5 | 6 | 7 | |
| 5 | 908 215 0 | 6kt-Mutter | Hex nut | Ecrou hex | | X | X | X | M 12 |
| 6 | 465 478 0 | Scheibe | Washer | Rondelle | | X | X | X | 14 x 60 x 10 |
| 7 | 465 129 0 | Anlage | Landslide | Contre-sep | | 10 | 12 | 14 | |
| 8 | 905 345 0 | Senkschraube | Countersunk screw | Vis | | X | X | X | M 12 x 45 <i>M 12 + 1/2" = gewer</i> |
| 9 | 123 743 0 | Zwischenlage | Spring support | Cale | | 5 | 6 | 7 | |
| 0 | 969 197 1 | Schar | Share | Soc | | 5 | 6 | 7 | <i>grain poppe</i> |
| 1 | 905 343 0 | Senkschraube | Countersunk screw | Vis | | X | X | X | M 12 x 35 |
| 2 | 905 342 0 | Senkschraube | Countersunk screw | Vis | | X | X | X | M 12 x 30 |
| 3 | 123 722 1 | Riester | Mouldboard | Versoir | | 5 | 6 | 7 | |
| 4 | 917 104 0 | Federstecker | Spring clip | Goupille elastique | | X | X | X | 4 |
| 5 | 465 454 0 | Einweisblech | Trashboard | Deflecteur | | 5 | 6 | 7 | 800 + 850 H H |



HYDRAULIK
HYDRAULICS
SYSTÈME HYDRAULIQUE

5 SCHAR GRUNDHOLM
5 SHARE
5 SOC

355 500 -

R
L
1
8
0
/
5

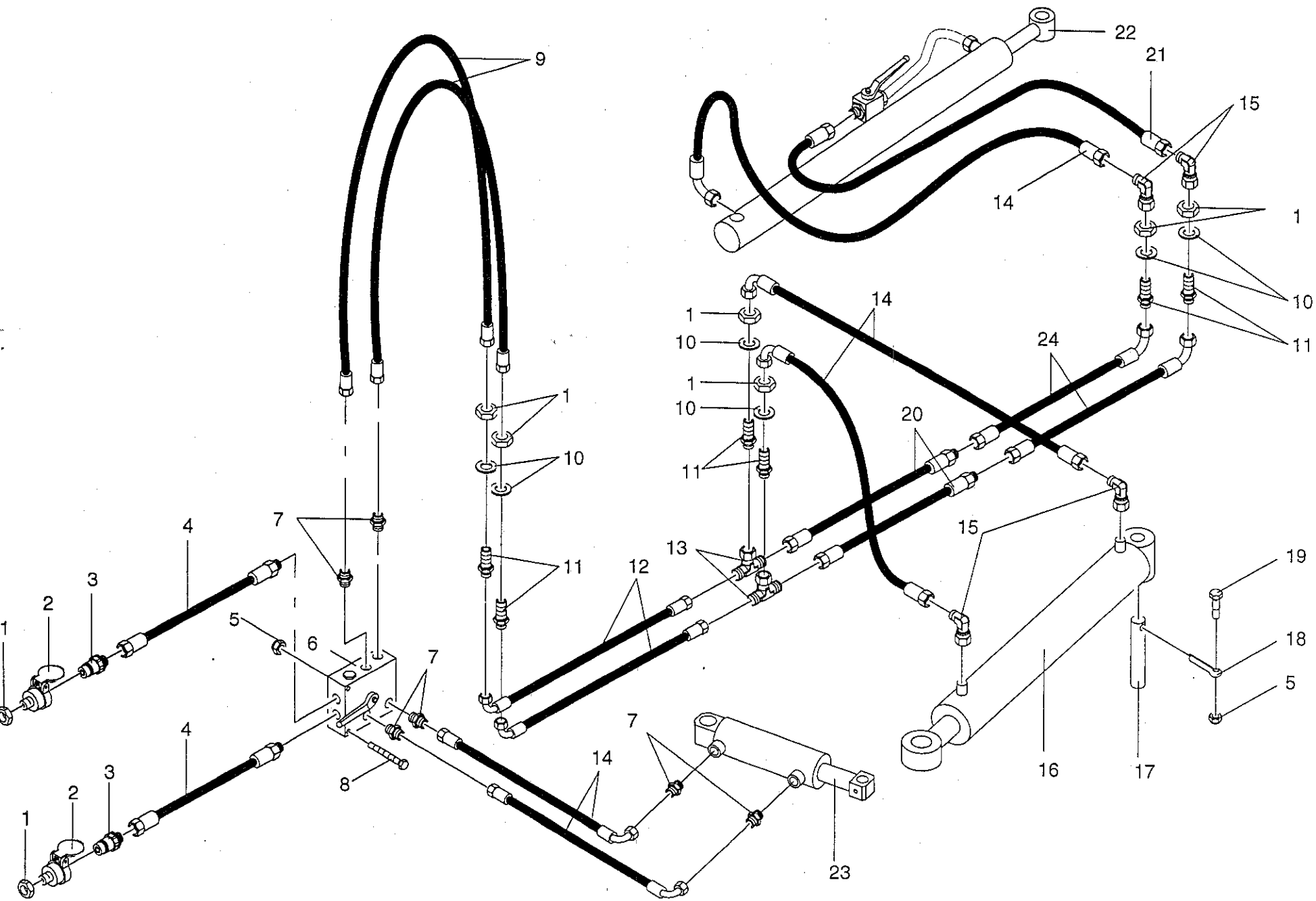
R
L
1
8
0
/
6

1-466-0
6.0

447 846 0

Bemerkung/Remarks/Remarque

| Id-Nr. | Benennung | Description | Description | Masch.-Nr. | | | | | |
|-----------|--------------------------------|--------------------------|------------------------------|------------|---|---|--|--|----------------------------|
| 908 524 1 | 6kt-Mutter | Hex nut | Ecrou hex | | | | | | |
| 921 084 0 | Hydr. Steckerhalter | Plug holder | Support de coupleurs males | | X | X | | | M 18 X 1,5 |
| 921 145 0 | Kupplungsstecker | Plug | Coupleur male | | X | X | | | |
| 921 002 0 | Hochdruckschlauchleitung | High pressure hose | Flexible | | X | X | | | M 18 X 1,5 lg = 1200 mm |
| 908 706 0 | Sicherungsmutter | Hex nut | Ecrou 6 pans | | X | X | | | NM 8 |
| 465 400 0 | Kompaktblock | Control valve | Soupape de commande | | X | X | | | |
| 920 901 0 | Einschraubstutzen | Male connector | Raccord filet | | X | X | | | L 12 MB |
| 901 425 0 | 6kt-Schraube | Hex head bolt | Boulon tete hex | | X | X | | | M 8 X 60 |
| 920 969 0 | Hochdruckschlauchleitung | High pressure hose | Flexible | | X | X | | | lg = 1500 mm |
| 910 512 2 | Scheibe | Washer | Rondelle | | X | X | | | B 21 |
| 921 087 1 | Gerade-Schottstutzen | Straight 2-way connector | Coupleur droit deux raccords | | X | X | | | L 12 |
| 921 004 1 | Hochdruckschlauchleitung | High pressure hose | Flexible | | X | X | | | lg = 1600 mm / 122 |
| 921 077 1 | T-Stutzen | Adjustable t connection | Raccord t réglable | | X | X | | | L 12 |
| 921 258 1 | Hochdruckschlauchleitung | High pressure hose | Flexible | | X | X | | | lg = 670 mm |
| 921 067 1 | Stutzen | Connector | Coude | | X | X | | | L 12 |
| 465 047 0 | Hydro-Zylinder (Schwenkung) | Hydraulic ram | Verin hydraulique | | X | X | | | DZ 40/100 x 364/650 |
| 918 718 0 | Dichtungssatz | Sealing set | Jeu de joints | | X | X | | | |
| 490 689 2 | Bolzen | Pin | Axe | | X | X | | | 30 x 200 |
| 912 145 1 | Splint | Split pin | Goupille fendue | | X | X | | | 10 x 50 |
| 900 617 0 | 6kt-Schraube | Hex head bolt | Boulon tete hex | | X | X | | | M 8 X 30 |
| 921 002 0 | Hochdruckschlauchleitung | High pressure hose | Flexible | | X | X | | | lg = 1200 mm |
| 921 016 0 | Hochdruckschlauchleitung | High pressure hose | Flexible | | X | X | | | lg = 1050 mm |
| 465 213 1 | Hydro-Zylinder (Stützrad) | Hydraulic ram | Verin hydraulique | | X | X | | | DZ 30/60 x 430/625 |
| 918 708 0 | Dichtungssatz | Sealing set | Jeu de joints | | X | X | | | |
| 465 048 0 | Hydro-Zylinder (Spuranpassung) | Hydraulic ram | Verin hydraulique | | X | X | | | DZ 30/65 x 160/410 |
| 918 717 0 | Dichtungssatz | Sealing set | Jeu de joints | | X | X | | | |
| 920 972 0 | Hochdruckschlauchleitung | High pressure hose | Flexible | | X | X | | | lg = 500 mm |



RAULIK 6 SCHAR GRUNDHOLM
 RAULICS 6 SHARE
 ÈME HYDRAULIQUE 6 SOC

355 500 -

R L
 1 8
 0 /
 6

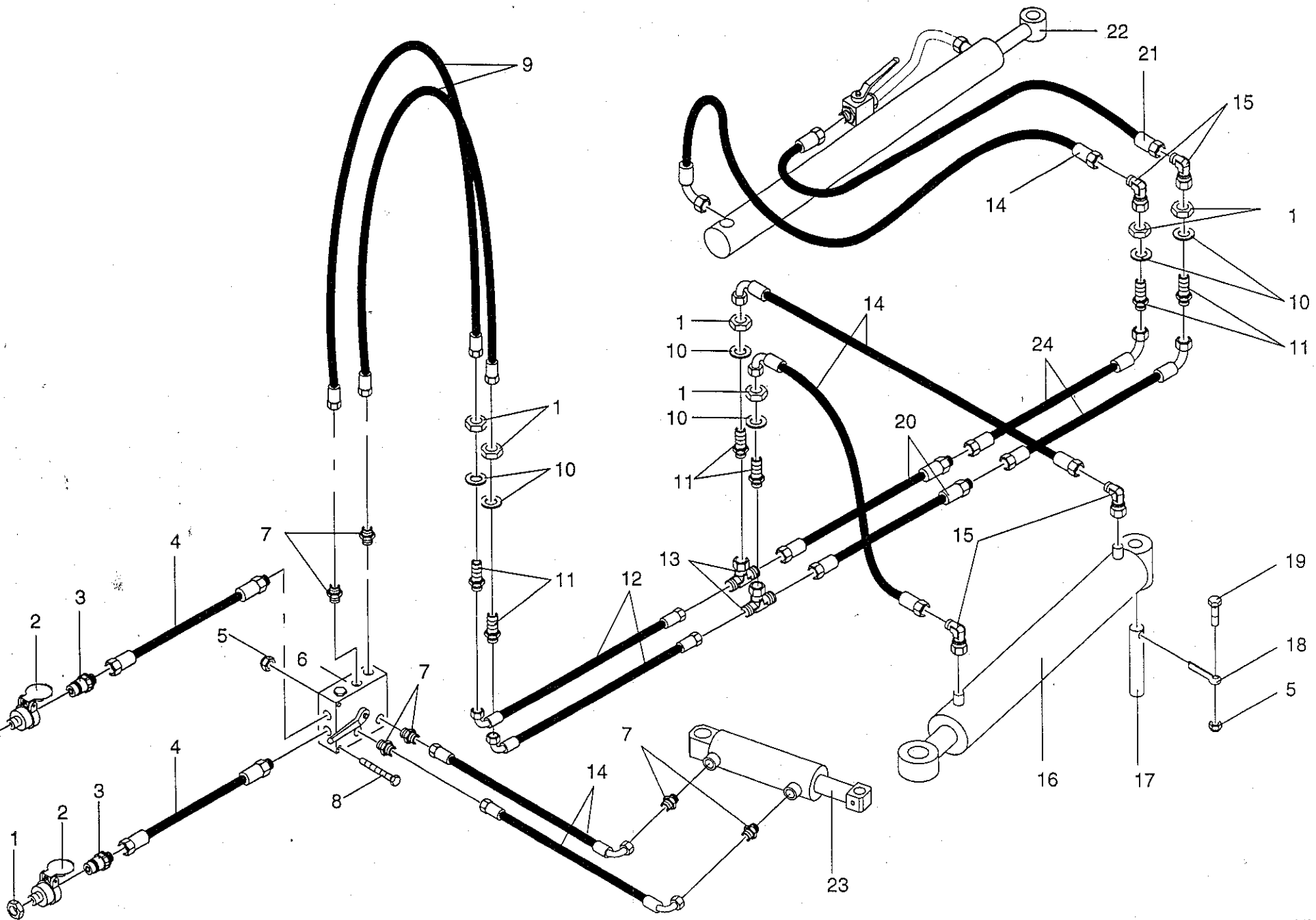
R L
 1 8
 0 /
 7

1-466-0

447 846 0

7.0

| ID-Nr. | Benennung | Description | Description | Masch.-Nr. | | | | Bemerkung/Remarks/Remarque |
|-----------|--------------------------------|--------------------------|------------------------------|------------|--|---|---|----------------------------|
| 008 524 1 | 6kt-Mutter | Hex nut | Ecrou hex | | | X | X | M 18 X 1,5 |
| 021 084 0 | Hydr. Steckerhalter | Plug holder | Support de coupleurs males | | | X | X | |
| 021 145 0 | Kupplungsstecker | Plug | Coupleur male | | | X | X | M 18 X 1,5 |
| 021 002 0 | Hochdruckschlauchleitung | High pressure hose | Flexible | | | X | X | lg= 1200 mm |
| 008 706 0 | Sicherungsmutter | Hex nut | Ecrou 6 pans | | | X | X | NM 8 |
| 065 400 0 | Kompaktblock | Control valve | Soupape de commande | | | X | X | |
| 020 901 0 | Einschraubstutzen | Male connector | Raccord filet | | | X | X | L 12 MB |
| 001 425 0 | 6kt-Schraube | Hex head bolt | Boulon tete hex | | | X | X | M 8 X 60 |
| 020 969 0 | Hochdruckschlauchleitung | High pressure hose | Flexible | | | X | X | lg = 1500 mm |
| 010 512 2 | Scheibe | Washer | Rondelle | | | X | X | B 21 |
| 021 087 1 | Gerade-Schottstutzen | Straight 2-way connector | Coupleur droit deux raccords | | | X | X | L 12 |
| 021 004 1 | Hochdruckschlauchleitung | High pressure hose | Flexible | | | X | X | lg = 1600 mm |
| 021 077 1 | T-Stutzen | Adjustable t connection | Raccord t réglable | | | X | X | L 12 |
| 021 258 1 | Hochdruckschlauchleitung | High pressure hose | Flexible | | | X | X | lg = 670 mm |
| 021 067 1 | Stutzen | Connector | Coude | | | X | X | L 12 |
| 065 047 0 | Hydro-Zylinder (Schwenkung) | Hydraulic ram | Verin hydraulique | | | X | X | DZ 40/100 x 364/650 |
| 018 718 0 | Dichtungssatz | Sealing set | Jeu de joints | | | X | X | |
| 090 689 2 | Bolzen | Pin | Axe | | | X | X | 30 x 200 |
| 012 145 1 | Splint | Split pin | Goupille fendue | | | X | X | 10 X 50 |
| 000 617 0 | 6kt-Schraube | Hex head bolt | Boulon tete hex | | | X | X | M 8 X 30 |
| 021 001 0 | Hochdruckschlauchleitung | High pressure hose | Flexible | | | X | X | lg = 600 mm |
| 021 016 0 | Hochdruckschlauchleitung | High pressure hose | Flexible | | | X | X | lg = 1050 mm |
| 065 213 1 | Hydro-Zylinder (Stützrad) | Hydraulic ram | Verin hydraulique | | | X | X | DZ 30/60 x 430/625 |
| 018 708 0 | Dichtungssatz | Sealing set | Jeu de joints | | | X | X | |
| 065 048 0 | Hydro-Zylinder (Spuranpassung) | Hydraulic ram | Verin hydraulique | | | X | X | DZ 30/65 x 160/400 |
| 018 717 0 | Dichtungssatz | Sealing set | Jeu de joints | | | X | X | |
| 020 989 0 | Hochdruckschlauchleitung | High pressure hose | Flexible | | | X | X | lg = 2000 mm |



DRAULIKSPEICHER
 DRAULIC - RESERVOIR
 SERVOIR HYDRAULIQUE

355 500 -

R
L
1
8
0
/
5

R
L
1
8
0
/
6

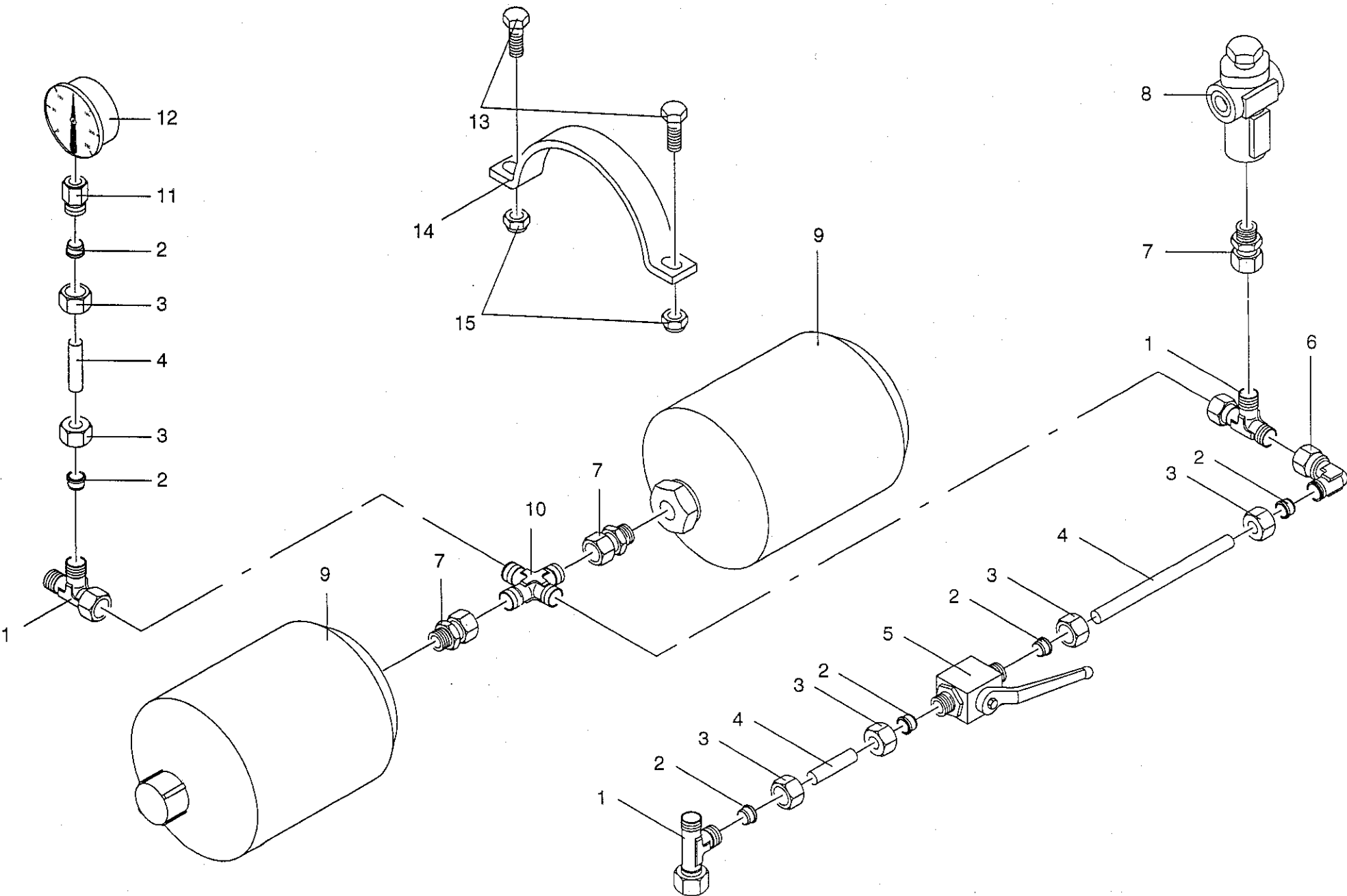
R
L
1
8
0
/
7

1-466-0

447 841 0

8.0

| ID-Nr. | Benennung | Description | Description | Masch.-Nr. | R L 1 8 0 / 5 | R L 1 8 0 / 6 | R L 1 8 0 / 7 | Bemerkung/Remarks/Remarque |
|-----------|------------------------|----------------------------|-----------------------|------------|---------------------------------|---------------------------------|---------------------------------|----------------------------|
| 921 079 1 | L-Stutzen | Connector | Coude | | X | X | X | L12 |
| 921 046 1 | Schneidenring | Cutting ring | Baque coupante | | X | X | X | L 12 |
| 921 206 0 | Überwurfmutter | Union nut | Ecrou-raccord | | X | X | X | AL 12 |
| | Hydraulikrohr | Hydraulic Pipe | Tube hydraulique | | X | X | X | 12 x 1,5 |
| 921 122 0 | Kugelhahn | Ball cock | Robinet a bille | | X | X | X | NW 10 |
| 921 067 1 | Stutzen | Connector | Coude | | X | X | X | L12 |
| 921 093 1 | Einschraubstutzen | Male connector | Raccord filet | | X | X | X | M 18 x 1,5 |
| 921 115 0 | Druckbegrenzungsventil | Valve - over pressure | Limiteur de pression | | X | X | X | |
| 920 925 0 | Hydraulikspeicher | Hydraulic - reservoir | Reservoir hydraulique | | X | X | X | 2 Ltr. |
| 921 094 1 | Stutzen | Connector | Coude | | X | X | X | L 12 |
| 920 919 0 | Stutzen - Manometer | Connector - pressure guage | Coude de manometre | | X | X | X | MAVL 12 R1/4" |
| 920 914 0 | Manometer | Pressure guage | Manometre | | X | X | X | |
| 900 298 0 | 6kt-Schraube | Hex head bolt | Boulon tete hex | | X | X | X | M 12 X 30 |
| 465 689 0 | Haltebügel | Holding bow | Etrier de fixation | | X | X | X | |
| 908 711 1 | Sicherungsmutter | Hex nut | Ecrou 6 pans | | X | X | X | NM 12 |



RAULISCHE STEINSICHERUNG
 RAULIC STONE SECURITY
 URITÉ NON-STOP HYDRAULIQUE

180/5

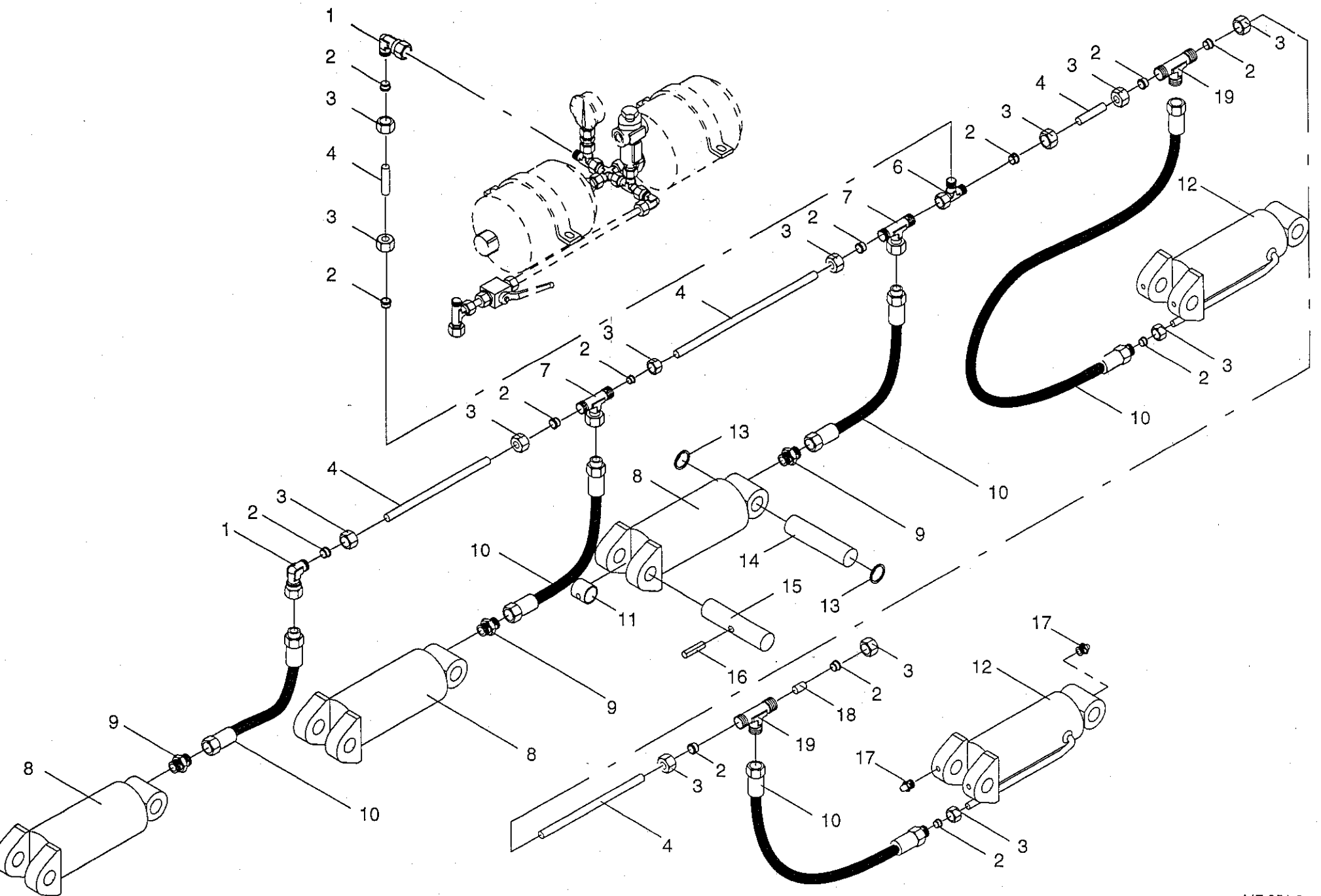
355 500 -

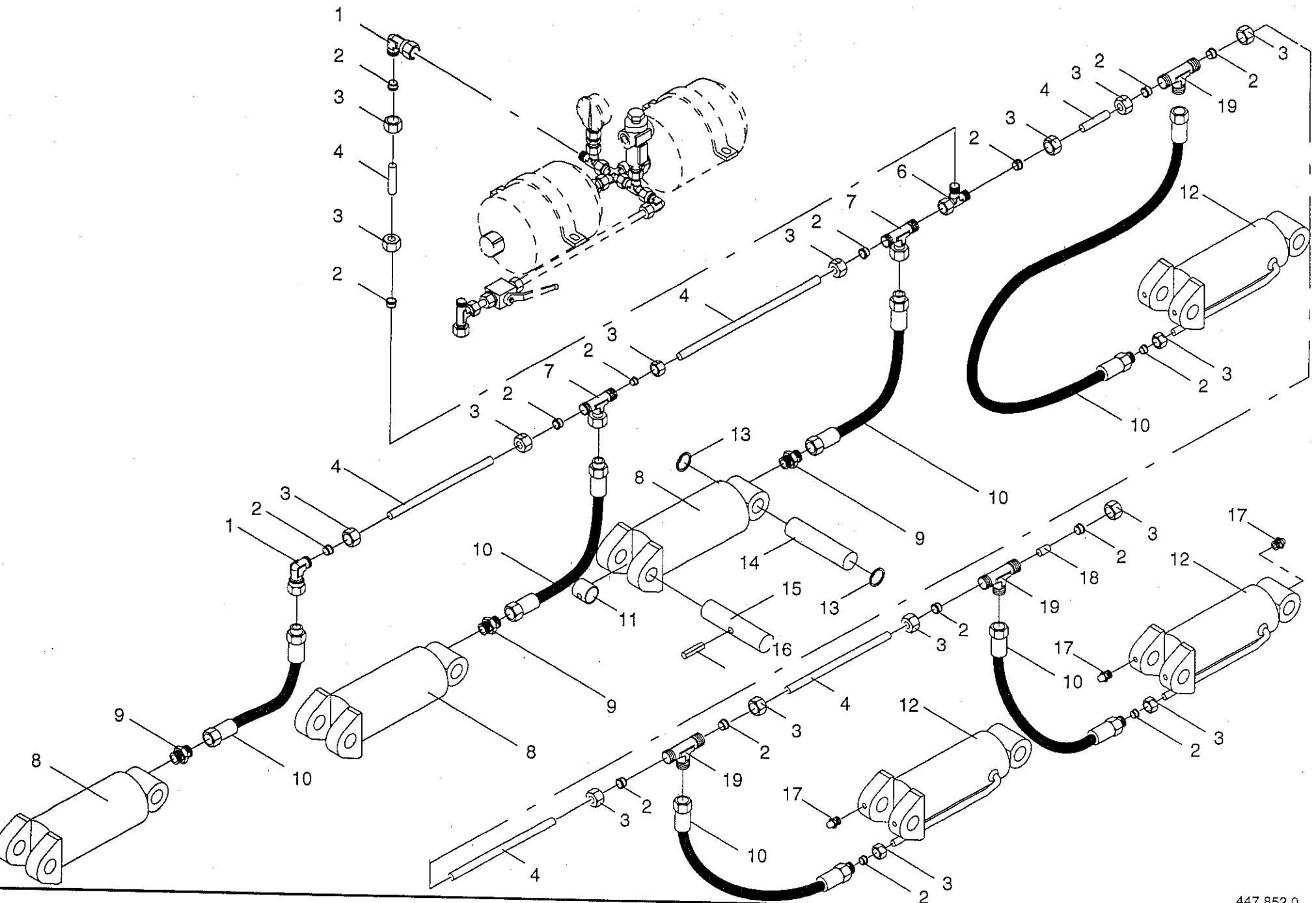
R
L
1
8
0
/
5

1-466-0
9.0

447 851 0

| ID-Nr. | Benennung | Description | Description | Masch.-Nr. | | | | | Bemerkung/Remarks/Remarque |
|-----------|--------------------------|-------------------------|---------------------|------------|---|--|--|--|----------------------------|
| 921 067 1 | Stutzen | Connector | Coude | | X | | | | L12 |
| 921 046 1 | Schneidenring | Cutting ring | Baque coupante | | X | | | | L 12 |
| 921 206 0 | Überwurfmutter | Union nut | Ecrou-raccord | | X | | | | AL 12 |
| | Hydraulikrohr | Hydraulic Pipe | Tube hydraulique | | X | | | | 12 x 1,5 |
| 921 079 1 | L-Stutzen | Connector | Coude | | X | | | | L12 |
| 921 077 1 | T-Stutzen | Adjustable t connection | Raccord t réglable | | X | | | | L12 |
| 465 049 0 | Hydro-Zylinder | Hydraulic ram | Verin hydraulique | | X | | | | 22 35x 90x 110/300 |
| 918 715 0 | Dichtungssatz | Sealing set | Jeu de joints | | X | | | | |
| 921 060 1 | Einschraubstutzen | Male connector | Raccord filet | | X | | | | L 12 MB |
| 921 001 0 | Hochdruckschlauchleitung | High pressure hose | Flexible | | X | | | | Lg = 600 mm |
| 465 271 0 | Hülse | Cover | Douille | | X | | | | |
| 465 405 0 | Hydro-Zylinder | Hydraulic ram | Verin hydraulique | | X | | | | mit 10er Rohra. |
| 918 713 0 | Dichtungssatz | Sealing set | Jeu de joints | | X | | | | |
| 956 446 0 | Sicherungsring | Circlip | Circlip | | X | | | | I 30 x 1,2 |
| 465 269 0 | Bolzen hinten | pin - rear | boulon arrière | | X | | | | 35x 124 |
| 465 268 0 | Bolzen vorne | Pin - front | Boulon avant | | X | | | | 35x 184 |
| 912 670 0 | Spannhülse | Roll pin | Goupille de serrage | | X | | | | 8 x 40 |
| 919 003 0 | Kegel-Schmiernippel | Grease nipple | Graisser conique | | X | | | | H1/S M8 x 1 |
| 280 411 0 | Stopfen | Stopper | Bouchon | | X | | | | 12x 20 |
| 921 071 1 | T-Verbindungsstutzen | T connector | Coude | | X | | | | L 12 |



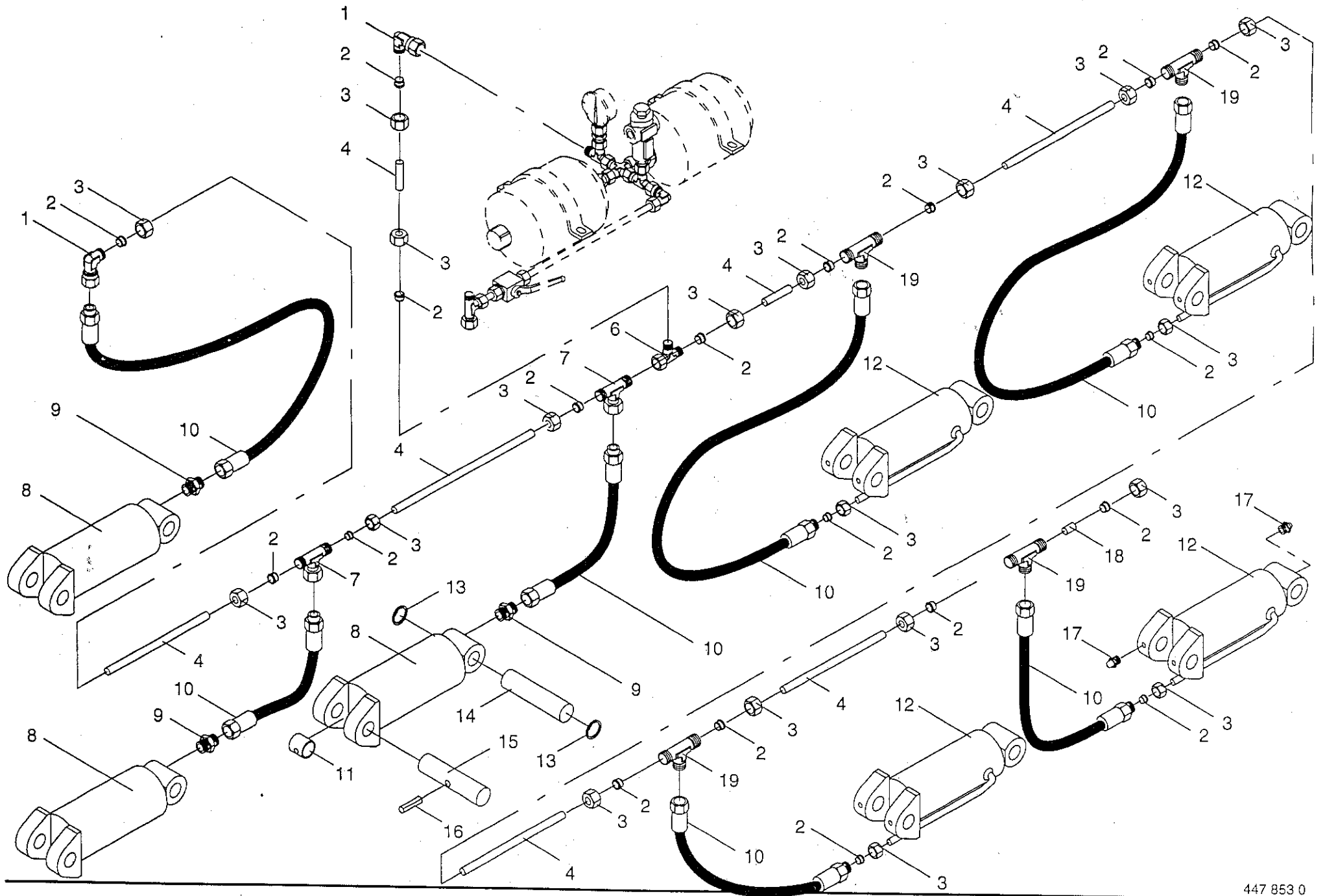


HYDRAULISCHE STEINSICHERUNG
 HYDRAULIC STONE SECURITY
 SÉCURITÉ NON-STOP HYDRAULIQUE

180/7

1-466-0
 11.0

| ps. | ID-Nr. | Benennung | Description | Description | Masch.-Nr. | RL 1 8 0 7 | Bemerkung/Remarks/Remarque |
|-----|-----------|--|-------------------------|---------------------|------------|------------------------|----------------------------|
| 1 | 921 067 1 | Stutzen | Connector | Coude | | | |
| 2 | 921 046 1 | Schneidenring | Cutting ring | Baue coupante | | X | L 12 |
| 3 | 921 206 0 | Überwurfmutter | Union nut | Ecrou-raccord | | X | L 12 |
| 4 | 045 506 0 | Hydraulikrohr <i>NA. sogt Amh. dau</i> | Hydraulic Pipe | Tube hydraulique | | X | AL 12 |
| 6 | 921 079 1 | L-Stutzen | Connector | Coude | | X | 12 x 1,5 |
| 7 | 921 077 1 | T-Stutzen | Adjustable t connection | Raccord t réglable | | X | L12 |
| 8 | 465 049 0 | Hydro-Zylinder | Hydraulic ram | Verin hydraulique | | X | L12 |
| | 918 715 0 | Dichtungssatz | Sealing set | Jeu de joints | | X | 22 35 / 90 x 110 / 300 |
| 9 | 921 060 1 | Einschraubstutzen | Male connector | Raccord filet | | X | |
| 0 | 921 001 0 | Hochdruckschlauchleitung | High pressure hose | Flexible | | X | L 12 MB |
| 1 | 465 271 0 | Hülse | Cover | Douille | | X | Lg = 600 mm |
| 2 | 465 405 0 | Hydro-Zylinder | Hydraulic ram | Verin hydraulique | | X | |
| | 918 713 0 | Dichtungssatz | Sealing set | Jeu de joints | | X | <i>mit 40er Rollen</i> |
| 3 | 956 446 0 | Sicherungsring | Circlip | Circlip | | X | |
| 4 | 465 269 0 | Bolzen hinten | | | | X | I 30 x 1,2 |
| 5 | 465 268 0 | Bolzen vorne | | | | X | 35 x 124 |
| | 912 670 0 | Spannhülse | Roll pin | Goupille de serrage | | X | 35 x 184 |
| 7 | 919 003 0 | Kegel-Schmiernippel | Grease nipple | Graisseur conique | | X | 8 x 40 |
| 8 | 280 411 0 | Stopfen | Stopper | Bouchon. | | X | H1/S MB X 1 |
| | 921 071 1 | T-Verbindungsstutzen | T connector | Coude | | X | 12 x 20 |
| | | | | | | X | L 12 |



ACKERAUSLEGER MECHANISCH
 ECH.-OPERATED PACKER ARM
 RAS POUR OUTIL COMBINÉ, À COMMANDE MÉCA

355 500 -

R
L
1
8
0
/
5

R
L
1
8
0
/
6

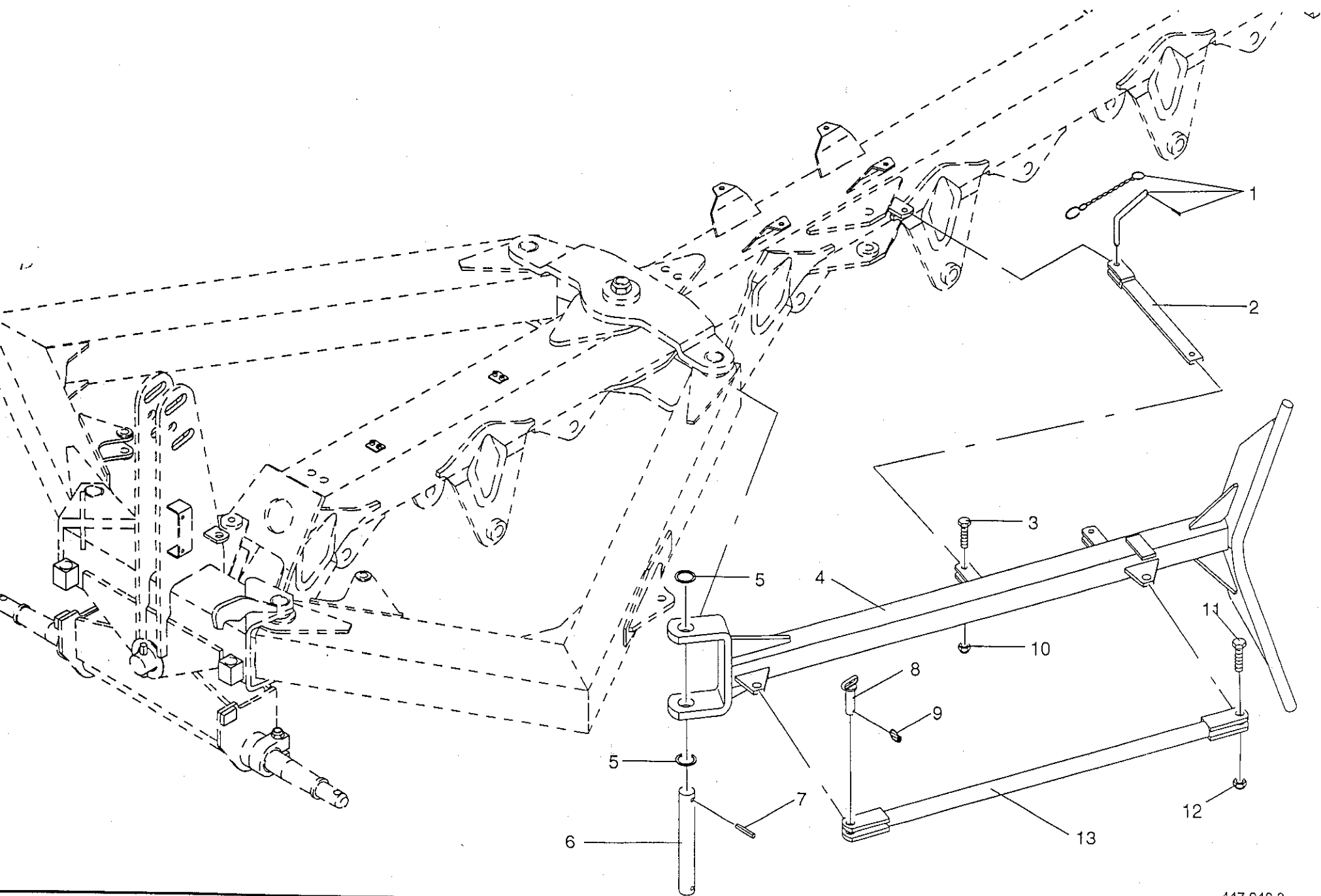
R
L
1
8
0
/
7

1-466-0

447 940 0

12.0

| ID-Nr. | Benennung | Description | Description | Masch.-Nr. | R L 1 8 0 / 5 | R L 1 8 0 / 6 | R L 1 8 0 / 7 | Bemerkung/Remarks/Remarque |
|-----------|--------------------|-----------------|-------------------------|------------|---------------------------------|---------------------------------|---------------------------------|----------------------------|
| 511 136 0 | Steckbolzen | Safety pin | Axe debroch. | | X | X | X | |
| 465 030 0 | Lenker | Guide | Guide | | X | X | X | 12x.165 |
| 901 451 0 | 6kt-Schraube | Hex head bolt | Boulon tete hex | | X | X | X | M 12 x 45 |
| 465 390 0 | Packerarm | Packer arm | Bras pour outil combine | | X | X | X | |
| 910 735 1 | Stützscheibe | Washer | Rondelle | | X | X | X | S 50 x 62 x 3,2 |
| 132 169 1 | Befestigungsbolzen | Bolt | Axe | | X | X | X | |
| 912 718 0 | Spannhülse | Roll pin | Goupille de serrage | | X | X | X | 10 x 60 |
| 129 543 0 | Bolzen | Pin | Axe | | X | X | X | |
| 917 004 1 | Klappstecker | Linch pin | Goupille clip | | X | X | X | 5 x 32 |
| 908 711 1 | Sicherungsmutter | Hex nut | Ecrou 6 pans | | X | X | X | NM 12 |
| 900 380 0 | 6kt-Schraube | Hex head bolt | Boulon tete hex | | X | X | X | M 20 x 60 |
| 908 721 0 | Sicherungsmutter | Hex nut | Ecrou 6 pans | | X | X | X | NM 20 |
| 460 543 0 | Zugstrebe | Pulling support | Tirant | | X | X | X | |



HYDRAULISCHER PACKERAUSLEGER (MECHANIK) / *Hydraulic*
 HYDR. OPERATED PACKER ARM (MECHANIC)
 SUPPORT MÉCANIQUE POUR ROULEAU LATÉRAL

355 500 -

R
L
1
8
0
/
5

R
L
1
8
0
/
6

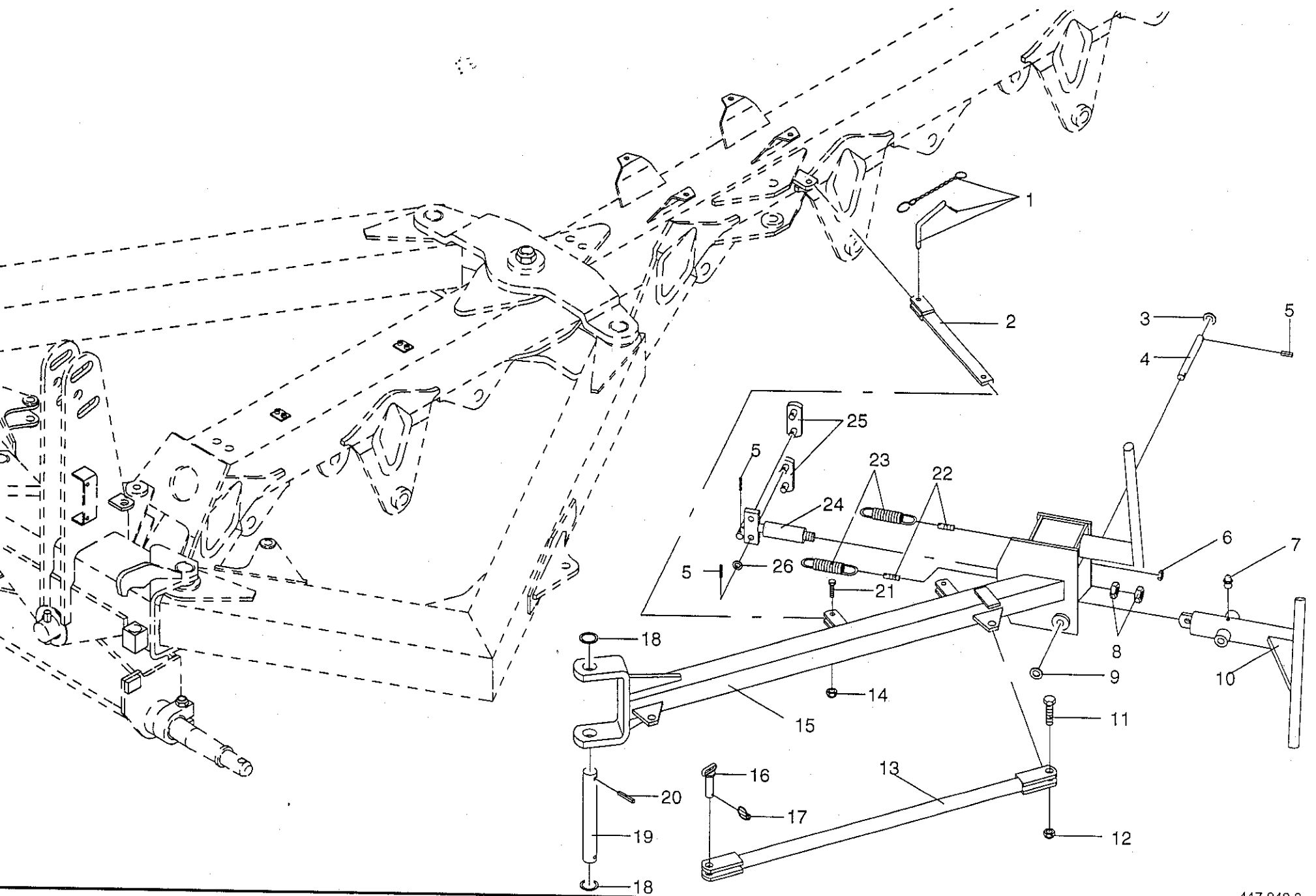
R
L
1
8
0
/
7

1-466-0

447 942 0

13.0

| Pos. | ID-Nr. | Benennung | Description | Description | Masch.-Nr. | R L 1 8 0 / 5 | R L 1 8 0 / 6 | R L 1 8 0 / 7 | Bemerkung/Remarks/Remarque |
|------|-----------|---------------------|------------------|------------------------|------------|---------------------------------|---------------------------------|---------------------------------|----------------------------|
| 1 | 511 136 0 | Steckbolzen | Safety pin | Axe debroch. | | X | X | X | |
| 2 | 465 030 0 | Lenker | Guide | Guide | | X | X | X | <i>12x 165</i> |
| 3 | 910 512 2 | Scheibe | Washer | Rondelle | | X | X | X | B 21 |
| 4 | 462 125 0 | Bolzen | Pin | Axe | | X | X | X | <i>20 x 145</i> |
| 5 | 912 615 0 | Spannhülse | Roll pin | Goupille de serrage | | X | X | X | 5 X 36 |
| 6 | 908 215 0 | 6kt-Mutter | Hex nut | Ecrou hex | | X | X | X | M 12 |
| 7 | 919 003 0 | Kegel-Schmiernippel | Grease nipple | Graisser conique | | X | X | X | H1/S M8 X 1 |
| 8 | 908 525 1 | 6kt-Mutter | Hex nut | Ecrou hex | | X | X | X | M 20 |
| 9 | 910 512 2 | Scheibe | Washer | Rondelle | | X | X | X | B 21 |
| 0 | 462 128 1 | Schwenkarm | Swing arm | Bras pivotant | | X | X | X | |
| 1 | 900 380 0 | 6kt-Schraube | Hex head bolt | Boulon tete hex | | X | X | X | M 20 X 60 |
| 2 | 908 721 0 | Sicherungsmutter | Hex nut | Ecrou 6 pans | | X | X | X | NM 20 |
| 3 | 460 543 0 | Zugstrebe | Pulling support | Tirant | | X | X | X | |
| 4 | 908 711 1 | Sicherungsmutter | Hex nut | Ecrou 6 pans | | X | X | X | |
| 5 | 465 389 1 | Packerarm links | Packer arm left | Bras pour outil gauche | | X | X | X | NM 12 |
| 6 | 465 388 1 | Packerarm rechts | Packer arm right | Bras pour outil droit | | X | X | X | |
| 7 | 129 543 0 | Bolzen | Pin | Axe | | X | X | X | |
| 8 | 917 004 1 | Klappstecker | Linch pin | Goupille clip | | X | X | X | 5 X 32 |
| 9 | 910 735 1 | Stützscheibe | Washer | Rondelle | | X | X | X | S 50 X 62 X 3,2 |
| 0 | 132 169 1 | Befestigungsbolzen | Bolt | Axe | | X | X | X | |
| 1 | 912 718 0 | Spannhülse | Roll pin | Goupille de serrage | | X | X | X | 10 X 60 |
| 2 | 901 451 0 | 6kt-Schraube | Hex head bolt | Boulon tete hex | | X | X | X | M 12 X 45 |
| 3 | 462 283 0 | Spannbolzen | Clamping bolt | Axe | | X | X | X | <i>12x 50</i> |
| 4 | 345 573 1 | Zugfeder | Tension spring | Ressort tendeur | | X | X | X | |
| 5 | 462 123 0 | Hydro-Zylinder | Hydraulic ram | Verin hydraulique | | X | X | X | |
| 6 | 921 416 0 | Dichtungssatz | Sealing set | Jeu de joints | | X | X | X | |
| 7 | 462 281 0 | Lenker | Guide | Guide | | X | X | X | |
| 8 | 910 510 1 | Scheibe | Washer | Rondelle | | X | X | X | 16 |



HYDRAULISCHER PACKERAUSLEGER (HYDRAULIK)
DR. OPERATED PACKER ARM (HYDRAULIC)
APPAREIL HYDRAULIQUE POUR ROULEAU LATÉRAL

355 500 -

R
L
1
8
0
/
5

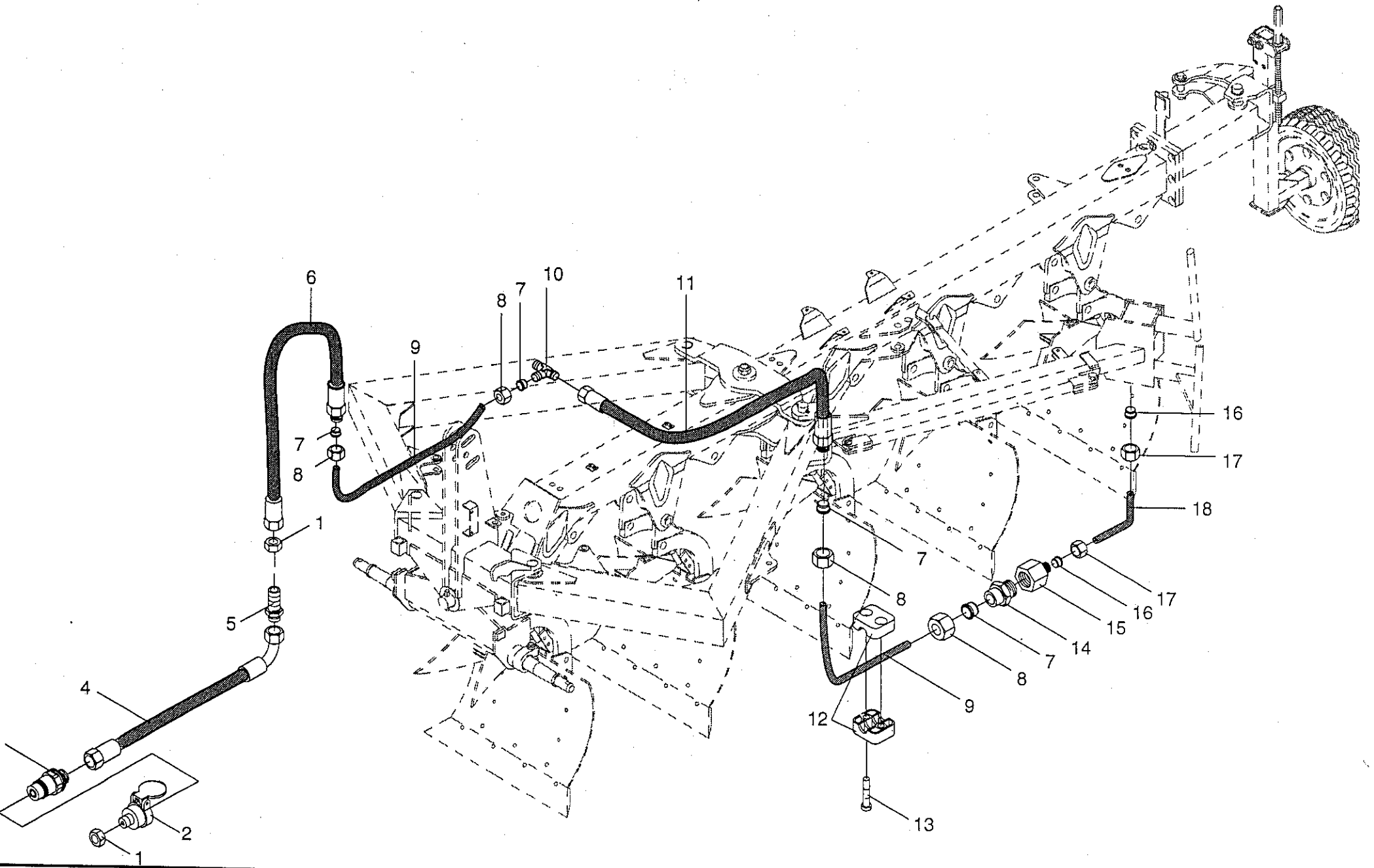
R
L
1
8
0
/
6

R
L
1
8
0
/
7

1-466-0
14.0

447 943 0

| ID-Nr. | Benennung | Description | Description | Masch.-Nr. | R L 1 8 0 / 5 | R L 1 8 0 / 6 | R L 1 8 0 / 7 | Bemerkung/Remarks/Remarque |
|-----------|--------------------------|--------------------------|--------------------------------|------------|---------------------------------|---------------------------------|---------------------------------|----------------------------|
| 908 524 1 | 6kt-Mutter | Hex nut | Ecrou hex | | X | X | X | M 18 X 1,5 |
| 921 084 0 | Hydr. Steckerhalter | Plug holder | Support de coupleurs males | | X | X | X | |
| 921 145 0 | Kupplungsstecker | Plug | Coupleur male | | X | X | X | M 18 X 1,5 |
| 921 257 0 | Hochdruckschlauchleitung | High pressure hose | Flexible | | X | X | X | Lg = 1200 mm |
| 921 087 1 | Gerade-Schottstutzen | Straight 2-way connector | Coupleur droit deux raccords | | X | X | X | L 12 |
| 921 030 1 | Hochdruckschlauchleitung | High pressure hose | Flexible | | X | X | X | Lg = 1600 mm |
| 921 046 1 | Schneidenring | Cutting ring | Baque coupante | | X | X | X | L 12 |
| 921 206 0 | Überwurfmutter | Union nut | Ecrou-raccord | | X | X | X | AL 12 |
| 921 071 1 | Hydraulikrohr | Hydraulic Pipe | Tube hydraulique | | X | X | X | 12 x 1,5 |
| 921 002 0 | T-Verbindungsstutzen | T connector | Coude | | X | X | X | L 12 |
| 925 107 1 | Hochdruckschlauchleitung | High pressure hose | Flexible | | X | X | X | Lg = 1200 mm |
| 925 107 1 | Schelle (2 Hälften) | Clamp (two half) | Collier pour tuyaux (2moities) | | X | X | X | 12 Bo. |
| 903 477 1 | Zylinderschraube | Allen screw | Vis tete cylindrique | | X | X | X | AM 6 X 20 |
| 921 054 1 | Verbindungsstutzen | Connector | Raccord | | X | X | X | L12 |
| 921 083 1 | Reduzier-Verschraubung | Red.-connector | Reducteur | | X | X | X | KOR 12/ 6-PL |
| 921 045 1 | Schneidenring | Cutting ring | Baque coupante | | X | X | X | L 6 |
| 921 039 1 | Überwurfmutter | Union nut | Ecrou-raccord | | X | X | X | AL 6 |
| | Hydraulikrohr | Hydraulic Pipe | Tube hydraulique | | X | X | X | 6 x 1 |



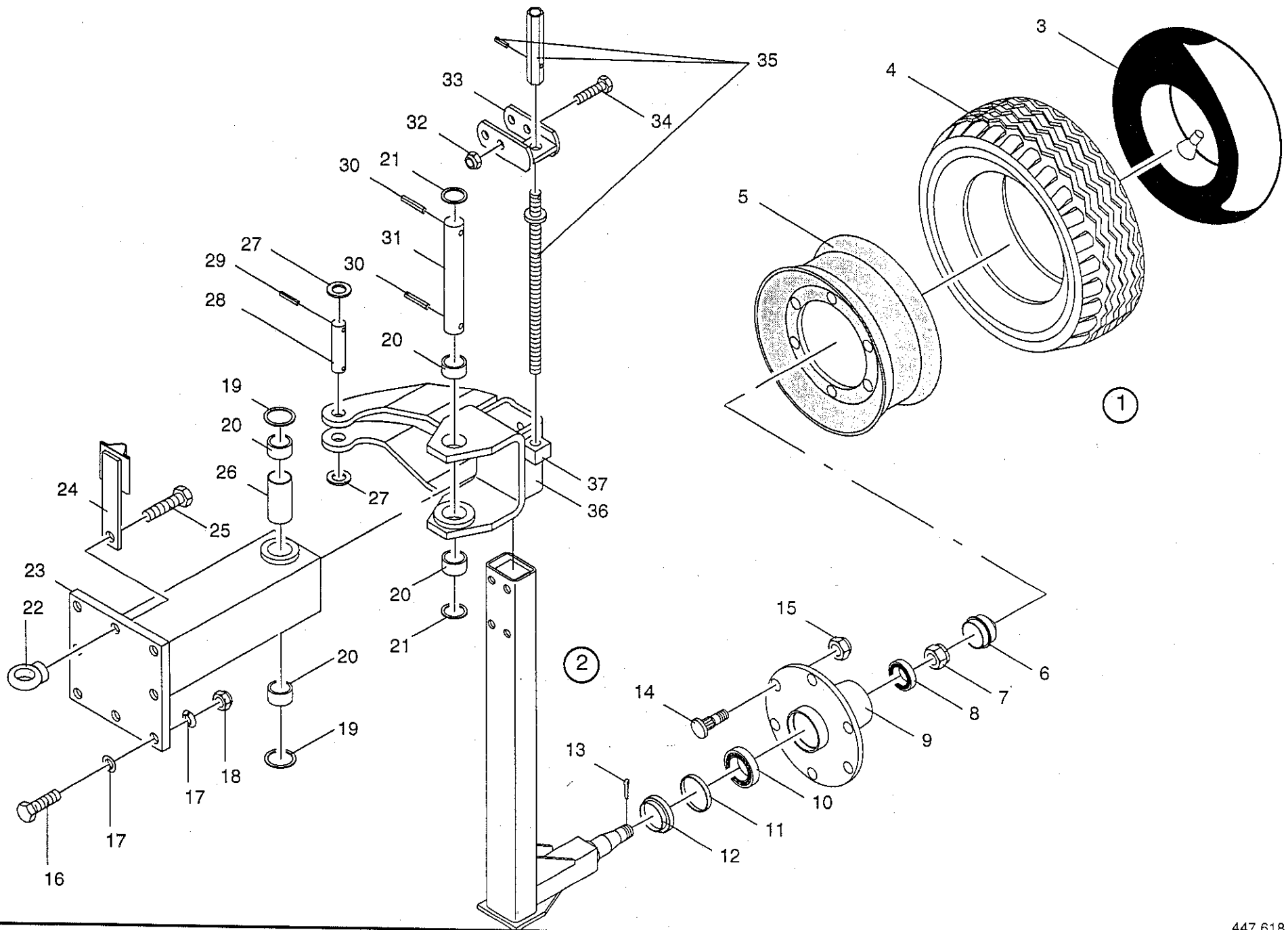
STÜTZRAD KPL.
SUPPORT WHEEL CPL
ROUE SUPPORT CPL

355 500 -

1-466-0
15.0

447 618 2

| Pos. | ID-Nr. | Benennung | Description | Description | Masch.-Nr. | R L 1 8 0 / 5 | R L 1 8 0 / 6 | R L 1 8 0 / 7 | Bemerkung/Remarks/Remarque |
|------|-----------|----------------------------|------------------------------|-----------------------------|------------|---------------------------------|---------------------------------|---------------------------------|----------------------------|
| 1 | 953 015 0 | Rad 11.5/80-15.3 IMPL 8 PR | Wheel 11.5/80-15.3 IMPL 8 PR | Roue 11.5/80-15.3 IMPL 8 PR | | X | X | X | |
| 2 | 465 201 1 | Radschiene | Wheel bracket | Support de roue | | X | X | X | incl. Pos. 6-15 |
| 3 | 953 308 1 | Schlauch | Tube | Chambre a air | | X | X | X | 10.0/75-15 / 11,5/80-15 |
| 4 | 953 215 0 | Reifen | Tyre | Pneu | | X | X | X | 11.5/80 - 15.3 Impl 8 Pl |
| 5 | 953 108 0 | Felge | Rim | Jante | | X | X | X | 9.00 X 15.3 |
| 6 | 952 310 1 | Radkappe | Wheel cap | Chapeau de roue | | X | X | X | 30,5 0 |
| 7 | 908 827 0 | Kronenmutter | Castellated nut | Ecrou crenele plat | | X | X | X | M 24 X 1,5 |
| 8 | 932 212 0 | Kegelrollenlager | Tap. roll. bearing | Roulem.roul.con. | | X | X | X | L 44610/49 |
| 9 | 952 254 0 | Radnabe | Hub f. axle | Moyeu | | X | X | X | LF 2806 |
| 10 | 932 222 0 | Kegelrollenlager | Tap. roll. bearing | Roulem.roul.con. | | X | X | X | LM 501310/49 |
| 11 | 952 330 0 | Labyrinthring | Labyrinth seal | Bague a labyrinthe | | X | X | X | |
| 12 | 952 320 0 | Stoßring | Push ring g 1038 | Bague | | X | X | X | |
| 13 | 912 069 1 | Splint | Split pin | Goupille fendue | | X | X | X | 4 X 40 |
| 14 | 910 256 0 | Riffelbolzen | Wheel pin | Boulon de fix.de roue | | X | X | X | M 18 X 1,5 X 46 |
| 15 | 910 225 0 | Radmutter | Nut | Ecrou de roue | | X | X | X | A 18 X 1,5 |
| 16 | 901 505 0 | 6kt-Schraube | Hex head bolt | Boulon tete hex | | X | X | X | M 20 X 70 |
| 17 | 910 216 0 | Federring | Spring washer | Rondelle elastique | | X | X | X | C 20,5 |
| 18 | 908 721 0 | Sicherungsmutter | Hex nut | Ecrou 6 pans | | X | X | X | NM 20 |
| 19 | 935 319 0 | Lagerscheibe | Washer | Rondelle | | X | X | X | 46 X 70 X 2,2 |
| 20 | 935 709 0 | Einspannbuchse | Clamp bush | Tube eg | | X | X | X | EG 36/45 X 25 |
| 21 | 910 729 1 | Stützscheibe | Washer | Rondelle | | X | X | X | S 37 X 47 X 2,5 |
| 22 | 909 506 0 | Ringmutter | Ring nut | Ecrou | | X | X | X | M 20 |
| 23 | 465 369 1 | Stützradholm | incl.Pos.20 + 26 | Support de roue | | X | X | X | Allround 180 |
| 24 | 465 366 0 | Beleuchtungshalter | Lighting bracket | Support d'eclairage | | X | X | X | |
| 25 | 901 507 0 | 6kt-Schraube | Hex head bolt | Boulon tete hex | | X | X | X | M 20 X 80 |
| 26 | 465 034 0 | Buchse | Bushing | Douille | | X | X | X | 44 X 2 X 90 |
| 27 | 910 514 1 | Scheibe | Washer | Rondelle | | X | X | X | 26 |
| 28 | 153 088 0 | Bolzen | Pin | Axe | | X | X | X | 25 X 107 |
| 29 | 912 675 0 | Spannhülse | Roll pin | Goupille de serrage | | X | X | X | 8 X 45 |
| 30 | 912 717 0 | Spannhülse | Roll pin | Goupille de serrage | | X | X | X | 10 X 55 |
| 31 | 465 026 0 | Lagerbolzen | Bolt | Axe de fixation | | X | X | X | 70 X 231 |
| 32 | 908 716 1 | Sicherungsmutter | Hex nut | Ecrou 6 pans | | X | X | X | NM 16 |
| 33 | 465 212 0 | Spindelhalter | Spindle holder | Support | | X | X | X | |
| 34 | 901 139 0 | 6kt-Schraube | Hex head bolt | Boulon tete hex | | X | X | X | M 16 X 90 |
| 35 | 461 403 0 | Verstellspindel | Adjusting spindle | Broche de reglage | | X | X | X | |
| 36 | 465 215 1 | Gelenk | Link | Joint | | X | X | X | incl. Pos. 20 |
| 37 | 461 400 1 | Spindelmutter | Spindle nut | Ecrou pour tige de reglage | | X | X | X | |



STÜTZRADHOLM
DEPTH WHEEL BEAM
SUPPORT DE ROUE

349 646 -

R
L
1
8
0
/
5

R
L
1
8
0
/
6

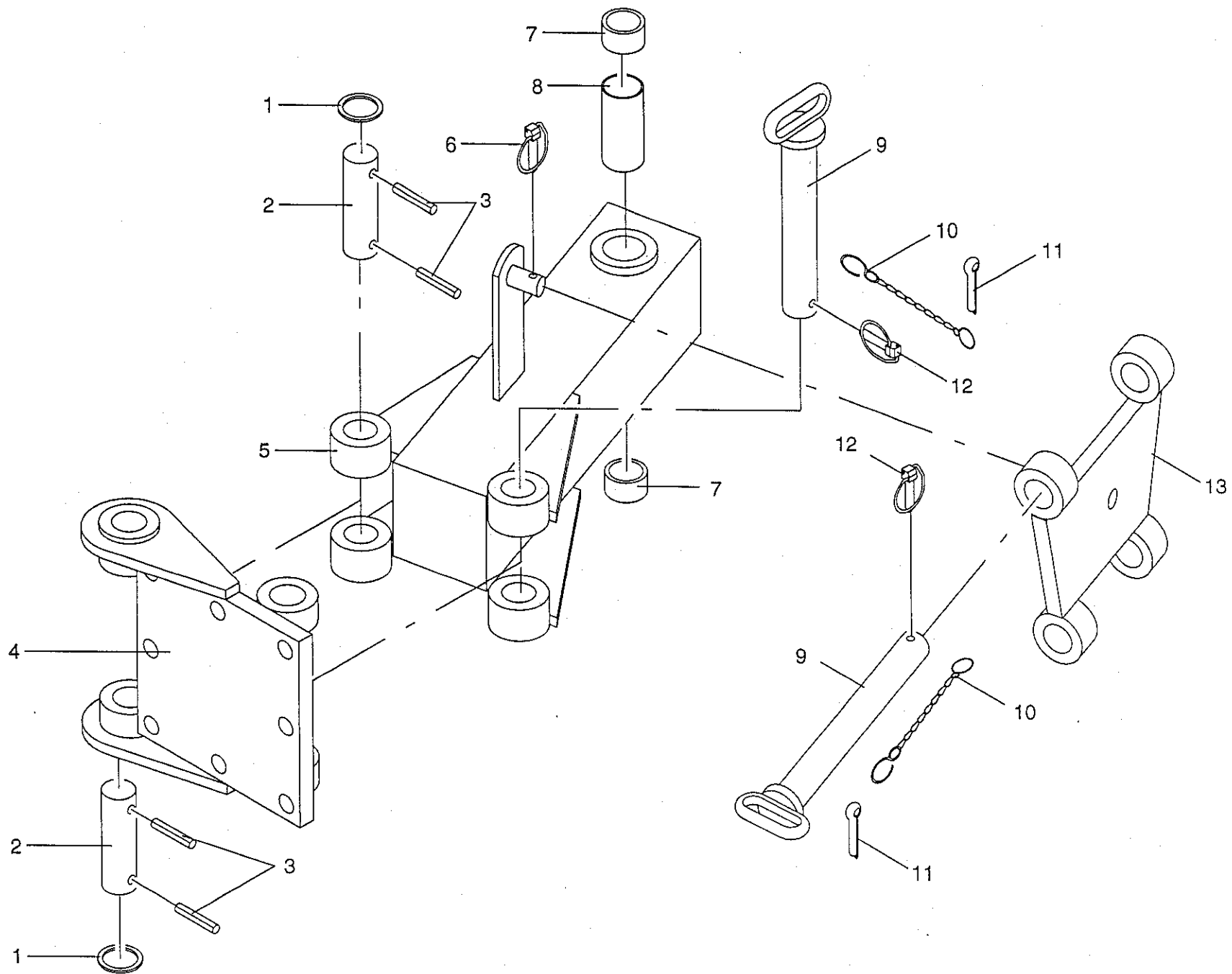
R
L
1
8
0
/
7

1-466-0

447 837 0

16.0

| os. | ID-Nr. | Benennung | Description | Description | Masch.-Nr. | R L 1 8 0 / 5 | R L 1 8 0 / 6 | R L 1 8 0 / 7 | Bemerkung/Remarks/Remarque |
|-----|-----------|----------------|------------------|-----------------------|------------|---------------------------------|---------------------------------|---------------------------------|----------------------------|
| 1 | 910 729 1 | Stützscheibe | Washer | Rondelle | | X | X | X | S 37 X 47 X 2,5 |
| 2 | 465 665 0 | Bolzen | Pin | Axe | | X | X | X | 35 x 116 |
| 3 | 912 677 0 | Spannhülse | Roll pin | Goupille de serrage | | X | X | X | 8 X 55 |
| 4 | 465 490 0 | Flanschplatte | Flange plate | Plaque d accouplement | | X | X | X | |
| 5 | 465 499 0 | Stützradholm | Depth wheel beam | Support de roue | | X | X | X | (mit Abb.7 und 8) |
| 6 | 917 009 0 | Klappstecker | Linch pin | Goupille clip | | X | X | X | 8 X 42 |
| 7 | 935 709 0 | Einspannbuchse | Clamp bush | Tube eg | | X | X | X | EG 36/45 X 25 |
| 8 | 465 034 0 | Buchse | Bushing | Douille | | X | X | X | |
| 9 | 465 668 0 | Bolzen | Pin | Axe | | X | X | X | |
| 10 | 922 650 0 | Knotenkette | Chain | Chaine | | X | X | X | |
| 11 | 912 287 1 | Splint | Split pin | Goupille fendue | | X | X | X | 5 X 32 |
| 12 | 917 012 2 | Klappstecker | Linch pin | Goupille clip | | X | X | X | 12 X 55 |
| 13 | 465 489 0 | Zwischenstück | Sandwich piece | Pièce intermediaire | | X | X | X | |



| ID-NR. ID-No. | TAFEL DIAG. | POS. POS. | ID-NR. ID-No. | TAFEL DIAG. | POS. POS. | ID-NR. ID-No. | TAFEL DIAG. | POS. POS. | ID-NR. ID-No. | TAFEL DIAG. | POS. POS. | ID-NR. ID-No. | TAFEL DIAG. | POS. POS. |
|------------------|----------------|--------------|------------------|----------------|--------------|------------------|----------------|--------------|------------------|----------------|--------------|------------------|----------------|--------------|
| 18 708 0 | 6.0 | 22 | 921 045 1 | 14.0 | 16 | 921 145 0 | 6.0 | 3 | 956 446 0 | 10.0 | 13 | | | |
| 18 708 0 | 7.0 | 22 | 921 046 1 | 8.0 | 2 | 921 145 0 | 7.0 | 3 | 956 446 0 | 11.0 | 13 | | | |
| 18 713 0 | 9.0 | 12 | 921 046 1 | 9.0 | 2 | 921 145 0 | 14.0 | 3 | 969 197 1 | 5.0 | 20 | | | |
| 18 713 0 | 10.0 | 12 | 921 046 1 | 10.0 | 2 | 921 206 0 | 8.0 | 3 | | | | | | |
| 18 713 0 | 11.0 | 12 | 921 046 1 | 11.0 | 2 | 921 206 0 | 9.0 | 3 | | | | | | |
| 18 715 0 | 9.0 | 8 | 921 046 1 | 14.0 | 7 | 921 206 0 | 10.0 | 3 | | | | | | |
| 18 715 0 | 10.0 | 8 | 921 054 1 | 14.0 | 14 | 921 206 0 | 11.0 | 3 | | | | | | |
| 18 715 0 | 11.0 | 8 | 921 060 1 | 9.0 | 9 | 921 206 0 | 14.0 | 8 | | | | | | |
| 18 717 0 | 6.0 | 23 | 921 060 1 | 10.0 | 9 | 921 257 0 | 14.0 | 4 | | | | | | |
| 18 717 0 | 7.0 | 23 | 921 060 1 | 11.0 | 9 | 921 258 1 | 6.0 | 14 | | | | | | |
| 18 718 0 | 6.0 | 16 | 921 067 1 | 6.0 | 15 | 921 258 1 | 7.0 | 14 | | | | | | |
| 18 718 0 | 7.0 | 16 | 921 067 1 | 7.0 | 15 | 921 416 0 | 13.0 | 24 | | | | | | |
| 19 003 0 | 4.0 | 15 | 921 067 1 | 8.0 | 6 | 922 650 0 | 1.0 | 13 | | | | | | |
| 19 003 0 | 9.0 | 17 | 921 067 1 | 9.0 | 1 | 922 650 0 | 16.0 | 10 | | | | | | |
| 19 003 0 | 10.0 | 17 | 921 067 1 | 10.0 | 1 | 925 107 1 | 14.0 | 12 | | | | | | |
| 19 003 0 | 11.0 | 17 | 921 067 1 | 11.0 | 1 | 932 212 0 | 15.0 | 8 | | | | | | |
| 19 003 0 | 13.0 | 7 | 921 071 1 | 9.0 | 19 | 932 222 0 | 15.0 | 10 | | | | | | |
| 20 901 0 | 6.0 | 7 | 921 071 1 | 10.0 | 19 | 935 311 0 | 2.0 | 1 | | | | | | |
| 20 901 0 | 7.0 | 7 | 921 071 1 | 11.0 | 19 | 935 312 0 | 1.0 | 14 | | | | | | |
| 20 914 0 | 8.0 | 12 | 921 071 1 | 14.0 | 10 | 935 312 0 | 3.0 | 3 | | | | | | |
| 20 919 0 | 8.0 | 11 | 921 077 1 | 6.0 | 13 | 935 319 0 | 15.0 | 19 | | | | | | |
| 20 925 0 | 8.0 | 9 | 921 077 1 | 7.0 | 13 | 935 704 0 | 2.0 | 2 | | | | | | |
| 20 969 0 | 6.0 | 9 | 921 077 1 | 9.0 | 7 | 935 705 0 | 1.0 | 7 | | | | | | |
| 20 969 0 | 7.0 | 9 | 921 077 1 | 10.0 | 7 | 935 705 0 | 3.0 | 2 | | | | | | |
| 20 972 0 | 6.0 | 24 | 921 077 1 | 11.0 | 7 | 935 706 0 | 1.0 | 5 | | | | | | |
| 20 989 0 | 7.0 | 24 | 921 079 1 | 8.0 | 1 | 935 706 0 | 2.0 | 9 | | | | | | |
| 21 001 0 | 7.0 | 20 | 921 079 1 | 9.0 | 6 | 935 706 0 | 3.0 | 5 | | | | | | |
| 21 001 0 | 9.0 | 10 | 921 079 1 | 10.0 | 6 | 935 709 0 | 15.0 | 20 | | | | | | |
| 21 001 0 | 10.0 | 10 | 921 079 1 | 11.0 | 6 | 935 709 0 | 16.0 | 7 | | | | | | |
| 21 001 0 | 11.0 | 10 | 921 083 1 | 14.0 | 15 | 935 710 0 | 1.0 | 19 | | | | | | |
| 21 002 0 | 6.0 | 4 | 921 084 0 | 6.0 | 2 | 935 711 0 | 3.0 | 6 | | | | | | |
| 21 002 0 | 6.0 | 20 | 921 084 0 | 7.0 | 2 | 952 254 0 | 15.0 | 9 | | | | | | |
| 21 002 0 | 7.0 | 4 | 921 084 0 | 14.0 | 2 | 952 310 1 | 15.0 | 6 | | | | | | |
| 21 002 0 | 14.0 | 11 | 921 087 1 | 6.0 | 11 | 952 320 0 | 15.0 | 12 | | | | | | |
| 21 004 1 | 6.0 | 12 | 921 087 1 | 7.0 | 11 | 952 330 0 | 15.0 | 11 | | | | | | |
| 21 004 1 | 7.0 | 12 | 921 087 1 | 14.0 | 5 | 953 015 0 | 15.0 | 1 | | | | | | |
| 21 016 0 | 6.0 | 21 | 921 093 1 | 8.0 | 7 | 953 108 0 | 15.0 | 5 | | | | | | |
| 21 016 0 | 7.0 | 21 | 921 094 1 | 8.0 | 10 | 953 215 0 | 15.0 | 4 | | | | | | |
| 21 030 1 | 14.0 | 6 | 921 115 0 | 8.0 | 8 | 953 308 1 | 15.0 | 3 | | | | | | |
| 21 039 1 | 14.0 | 17 | 921 122 0 | 8.0 | 5 | 956 446 0 | 9.0 | 13 | | | | | | |

