

Trioliet Mullos

Mengdoseerwagen

Futter-, Misch- und Verteilwagen

Feeder Mixer

Mélangeuse - distributrice

Solomix 800-1400



Onderdelenlijst/Ersatzteilliste/Spare parts list/Liste de Pièces de Réchange

Bestelnummer/Bestellnummer/Ordernummer/Numéro de commande 92125/4

Geldig vanaf productieserie nr. / Gültig ab / Valid form Prod. Series No.: 01

A partir du Série de production No.: 01

| | |
|-------------|--|
| Afb. | |
| 1A | Stickers voorlossend |
| 1B | Stickers zijlossend |
| 1C | Stickers achterlossend |
| 2A | Dissel voorlossend |
| 2B | Dissel achterlossend / zijlossend |
| 3A | Wielas ongeremd 8/1000 → 02 |
| 3B | Wielas ongeremd 8/1000 ↳03 |
| 3C | Wielas ongeremd 12/1400 |
| 4A | Wielas met hydraulisch remsysteem 8/1000 ↳03 |
| 4B | Wielas met hydr. remsysteem 8/1000 → 02 12/1400 |
| 5 | Speciale wielen |
| 6 | Frame voorlossend |
| 7A | Frame achterlossend → 02 |
| 7B | Frame achterlossend ↳03 |
| 8 | Frame 8/10/1200 met zijkleppen |
| 9A | Dwarsband voorlossend (en achterlossend → 02) |
| 9B | Dwarsband achterlossend ↳03 |
| 10A | Aandrijving en Mengvijzel 800 ↳03 |
| 10B | Aandrijving en Mengvijzel 800 → 02 10/1200 → 03 |
| 10C | Aandrijving en Mengvijzel 1400 → 03 |
| 10D | Aandrijving en Mengvijzel 8/10/12/1400 ↳04 |
| 10E | Vijzelmessen |
| 11 | Doseerklappcilinder |
| 12A | Mechanische afstandsbedieningdosering voor en achter |
| 12B | Mechanische afstandsbediening zijkleppen |
| 13A | Slangenschema voorlossend |
| 13B | Slangenschema achterlossend |
| 13C | Slangenschema zijlossend |
| 13D | Slangenschema directe aansluiting ZK en VL types |
| 14 | Elektronisch weegsysteem |
| 15A | Vertragskast 8/10/1200 |
| 15B | Vertragskast 1400 |
| 16 | Hydraulische bediening contrames |
| 17 | Hydraulische steunpoot |
| 18 | Hydraulische steunpoot met sensor en accu |
| 19A | Opvoerband |
| 19B | Hydrauliek schema opvoerband |
| 20 | Dwarsband tweezijdig lossend |
| 21 | Elektrische afstandsbediening |
| 22 | Gekromde losunit |
| 23 | Beplating gekromde losunit |
| 24 | Klepmechanisme gekromde afvoerketting |
| 25 | Hydrauliek gekromde losunit |
| 26 | Pompunit |
| 27A | Opvoerketting |
| 27B | Hydrauliek opvoerketting |
| 28A | Magneet met verlengingsklep opvoerketting |
| 28B | Magneet opvoerband |
| 28C | Magneet ZK machines |
| 29A | Aftakas 8/10/1200 |
| 29B | Aftakas 12/1400 |
| 29C | Aftakas 1400 |

| | |
|-------------|---|
| Abb. | |
| 1A | Aufkleber Entleerung Vorne |
| 1B | Aufkleber Entleerung Seitlich |
| 1C | Aufkleber Entleerung Hinten |
| 2A | Deichsel Entleerung Vorne |
| 2B | Deichsel Entleerung Hinten / Seitlich |
| 3A | Radachse ohne Bremse 8/1000 → 02 |
| 3B | Radachse ohne Bremse 8/1000 ↳03 |
| 3C | Radachse ohne Bremse 12/1400 |
| 4A | Radachse mit Hydr. Bremse 8/1000 ↳03 |
| 4B | Radachse mit Hydr. Bremse 8/1000 → 02 12/1400 |
| 5 | Speziale Räder |
| 6 | Rahmen Entleerung Vorne |
| 7A | Rahmen Entleerung Hinten → 02 |
| 7B | Rahmen Entleerung Hinten ↳03 |
| 8 | Rahmen Seitliche Entleerung 8/10/1200 |
| 9A | Querförderband Entleerung vorne (und hinten → 02) |
| 9B | Querförderband Entleerung Hinten ↳03 |
| 10A | Schnecke und Antrieb 800 ↳03 |
| 10B | Schnecke und Antrieb 800 → 02/ 10/1200 → 03 |
| 10C | Schnecke und Antrieb 1400 → 03 |
| 10D | Schnecke und Antrieb 8/10/12/1400 ↳04 |
| 10E | Schneckenmesser |
| 11 | Auswurfschieberzylinder |
| 12A | Mechanische Fernbedienung Entleerung Vorne und Hinten |
| 12B | Mechanische Fernbedienung Entleerung Seitlich |
| 13A | Hydraulik Plan Entleerung Vorne |
| 13B | Hydraulik Plan Entleerung Hinten |
| 13C | Hydraulik Plan Entleerung Seitlich |
| 13D | Hydraulik Plan Direct Anschuß ZK und VL Types |
| 14 | Elektronische Waage |
| 15A | Reduziergetriebe 8/10/1200 |
| 15B | Reduziergetriebe 1400 |
| 16 | Hydraulische Bedienung Kontramesser |
| 17 | Hydraulischer Stützfuß |
| 18 | Hydraulischer Stützfuß mit Wiegestab und Batterie |
| 19A | Querbandverlängerung |
| 19B | Schaltplan Querband Verlängerung |
| 20 | Querband beidseitige Entleerung |
| 21 | Elektrische Fernbedienung |
| 22 | Gebogene Förderkette |
| 23 | Verkleidung gebogene Förderkette |
| 24 | Klappen und Bedienungsteile gebogene Förderkette |
| 25 | Schaltplan gebogene Förderkette |
| 26 | Bordhydraulik |
| 27A | Schräg Förderkette |
| 27B | Hydraulikplan Schräg Förderkette |
| 28A | Magnet mit Verlängerung Klappe für Schrägförderkette |
| 28B | Magnet für Querbandverlängerung |
| 28C | Magnet ZK Machine |
| 29A | Gelenkwelle 8/10/1200 |
| 29B | Gelenkwelle 12/1400 |
| 29C | Gelenkwelle |

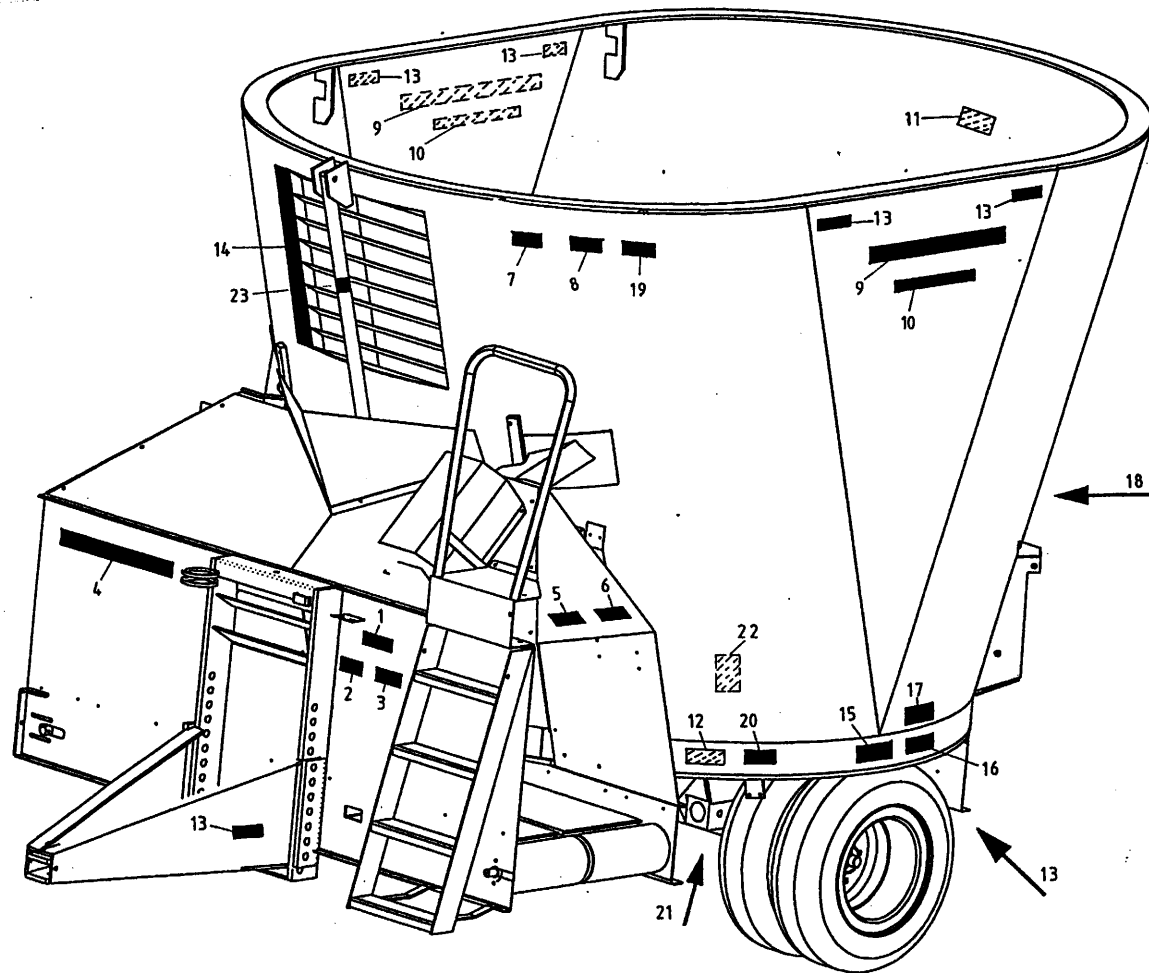
CONTENTS

Picture

| | |
|-----|---|
| 1A | Decals front discharge |
| 1B | Decals side discharge |
| 1C | Decals rear discharge |
| 2A | Drawbar front discharge |
| 2B | Drawbar rear and side discharge |
| 3A | Unbraked wheelaxle 8/1000 → 02 |
| 3B | Unbraked wheelaxle 8/1000 ↳ 03 |
| 3C | Unbraked wheelaxle 12/1400 |
| 4A | Wheelaxle with hydraulic brakes 8/1000 ↳ 03 |
| 4B | Wheelaxle with hydraulic brakes 8/1000 → 02 12/1400 |
| 5 | Special wheels |
| 6 | Frame front discharge |
| 7A | Frame rear discharge → 02 |
| 7B | Frame rear discharge ↳ 03 |
| 8 | Frame Solomix 8/10/1200 side discharge |
| 9A | Side conveyor front discharge (and rear → 02) |
| 9B | Side conveyor rear discharge ↳ 03 |
| 10A | Auger and drive system 800 ↳ 03 |
| 10B | Auger and drive system 800 → 02 10/1200 → 03 |
| 10C | Auger and drive system 1400 → 03 |
| 10D | Auger and drive system 8/10/12/1400 ↳ 04 |
| 10E | Augerknives |
| 11 | Slide cilinder |
| 12A | Mechanical remote control front and rear discharge |
| 12B | Mechanical remote control side discharge |
| 13A | Hydraulics front discharge |
| 13B | Hydraulics rear discharge |
| 13C | Hydraulics side discharge |
| 13D | Hydraulics direkt connection ZK and VL types |
| 14 | Electronic weighing system |
| 15A | Reduction gearbox 8/10/1200 |
| 15B | Reduction gearbox 1400 |
| 16 | Hydraulic control counter knife |
| 17 | Hydraulic support |
| 18 | Hydraulic support with weighing sensor |
| 19A | Side conveyor belt extension |
| 19B | Hydraulic scheme belt extension |
| 20 | Dual side conveyor |
| 21 | Electrical remote control |
| 22 | Curved conveyor chain |
| 23 | Sheeting curved conveyor chain |
| 24 | Flap system curved conveyor chain |
| 25 | Hydraulics curved conveyor chain |
| 26 | Pump unit |
| 27A | Extension chain |
| 27B | Hydraulics side conveyor chain |
| 28A | Magnet with deflector for chain extension |
| 28B | Magnet for belt extension |
| 28C | Magnet ZK machines |
| 29A | PTO shaft 8/10/1200 |
| 29B | PTO shaft 12/1400 |
| 29C | PTO shaft 1400 |

92125/4

Afbeelding 1A : Stickers voorlossend
 Abbildung 1A : Aufkleber Entleerung Vorne
 Picture 1A : Decals Front discharge

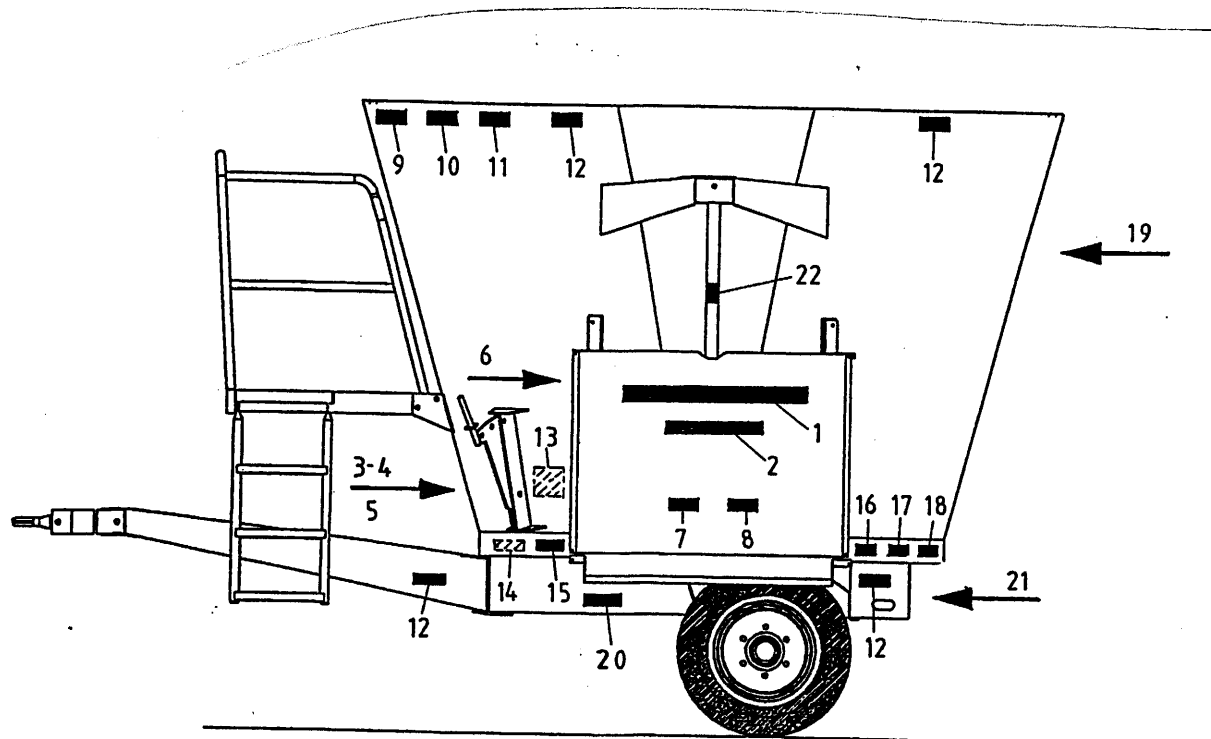


bestelnummer
 ordernummer
 Num. à commander
 Bestellnummer

| | | | |
|-----|-------|---|---------|
| 1 | 91160 | 1 | |
| 2 | 91159 | 1 | |
| 3 | 91243 | 1 | |
| 4 | 91247 | 1 | |
| 5 | 91162 | 2 | |
| 6 | 91152 | 2 | |
| 7 | 91240 | 1 | |
| 8 | 91242 | 1 | |
| 9 | 91249 | 2 | |
| 10 | 91252 | 2 | |
| 11 | 91241 | 1 | |
| 12 | 91118 | 1 | |
| 13 | 91183 | 8 | |
| 14 | 91143 | 1 | |
| 15 | 91228 | 2 | |
| 16A | 91330 | 2 | 6.0 bar |
| 16B | 91324 | 2 | 8.0 bar |
| 17 | 91325 | 2 | |
| 18A | 91331 | 1 | 8 kmh |
| 18B | 91130 | 1 | 25 kmh |
| 19 | 91245 | 2 | |
| 20 | 91335 | 1 | |
| 21 | 91333 | 1 | |
| 22 | 91340 | 1 | |
| 23 | 91182 | 1 | |

92125/4

Afbeelding 1B : Stickers zijlossend
 Abbildung 1B : Aufkleber Entleerung Seitlich
 Picture 1B : Decals side discharge



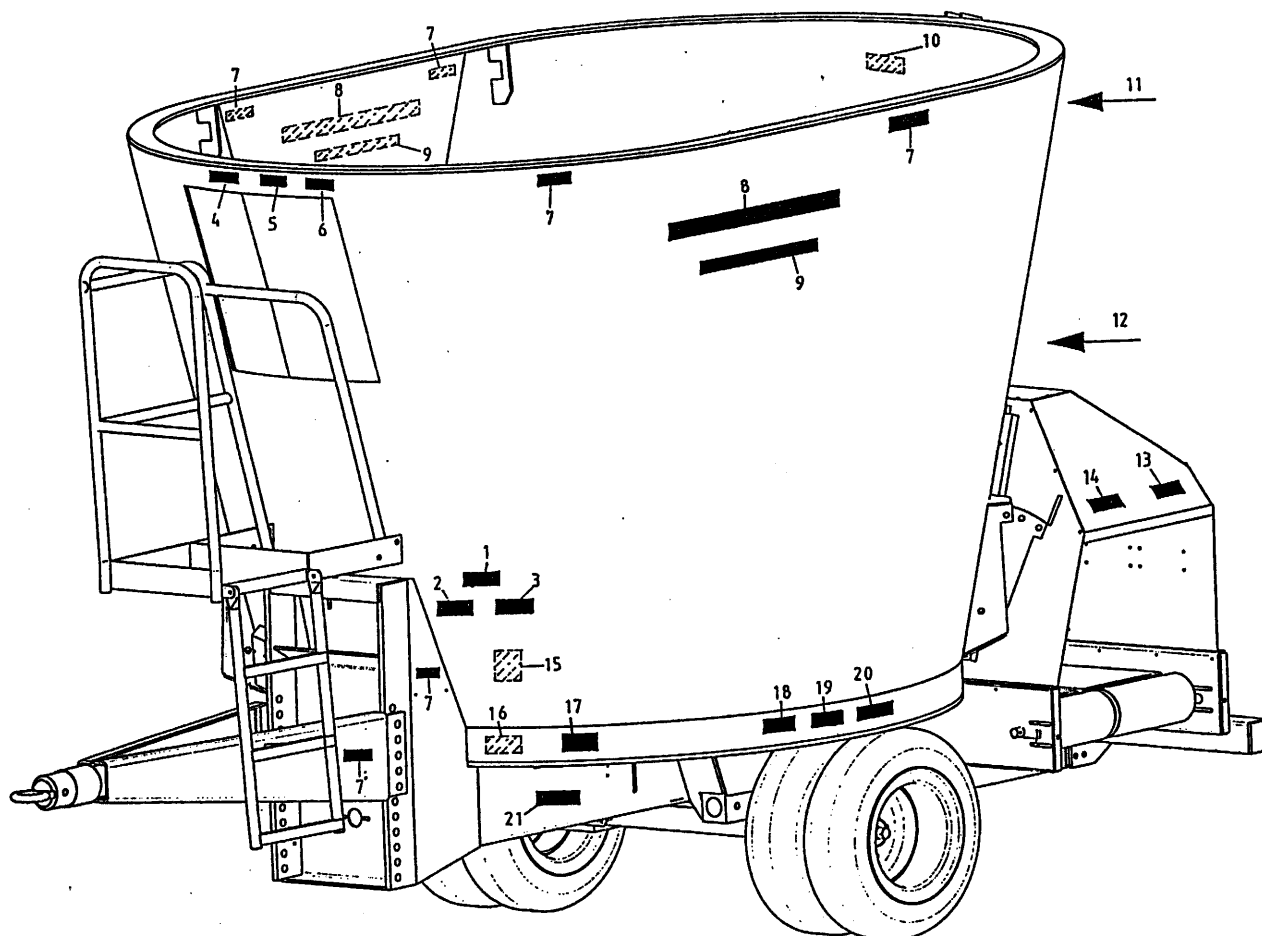
bestelnummer
 ordernummer
 Num. à commander
 Bestellnummer

| | | | |
|-----|-------|---|---------|
| 1 | 91248 | 2 | |
| 2 | 91252 | 2 | |
| 3 | 91159 | 1 | |
| 4 | 91160 | 1 | |
| 5 | 91243 | 1 | |
| 6 | 91143 | 2 | |
| 7 | 91211 | 2 | |
| 8 | 91327 | 2 | |
| 9 | 91240 | 1 | |
| 10 | 91242 | 1 | |
| 11 | 91245 | 1 | |
| 12 | 91183 | 8 | |
| 13 | 91340 | 1 | |
| 14 | 91118 | 1 | |
| 15 | 91335 | 1 | |
| 16 | 91228 | 2 | |
| 17A | 91330 | 2 | 6.0 bar |
| 17B | 91324 | 2 | 8.0 bar |
| 18 | 91325 | 2 | |
| 19 | 91241 | 1 | |
| 20 | 91333 | 2 | |
| 21A | 91331 | 1 | 8 kmh |
| 21B | 91130 | 1 | 25 kmh |
| 22 | 91182 | 1 | |

92125/4

Afbeelding 1C
Abbildung 1C
Picture 1C

: Stickers achterlossend
: Aufkleber Entleerung Hinten
: Decals rear discharge

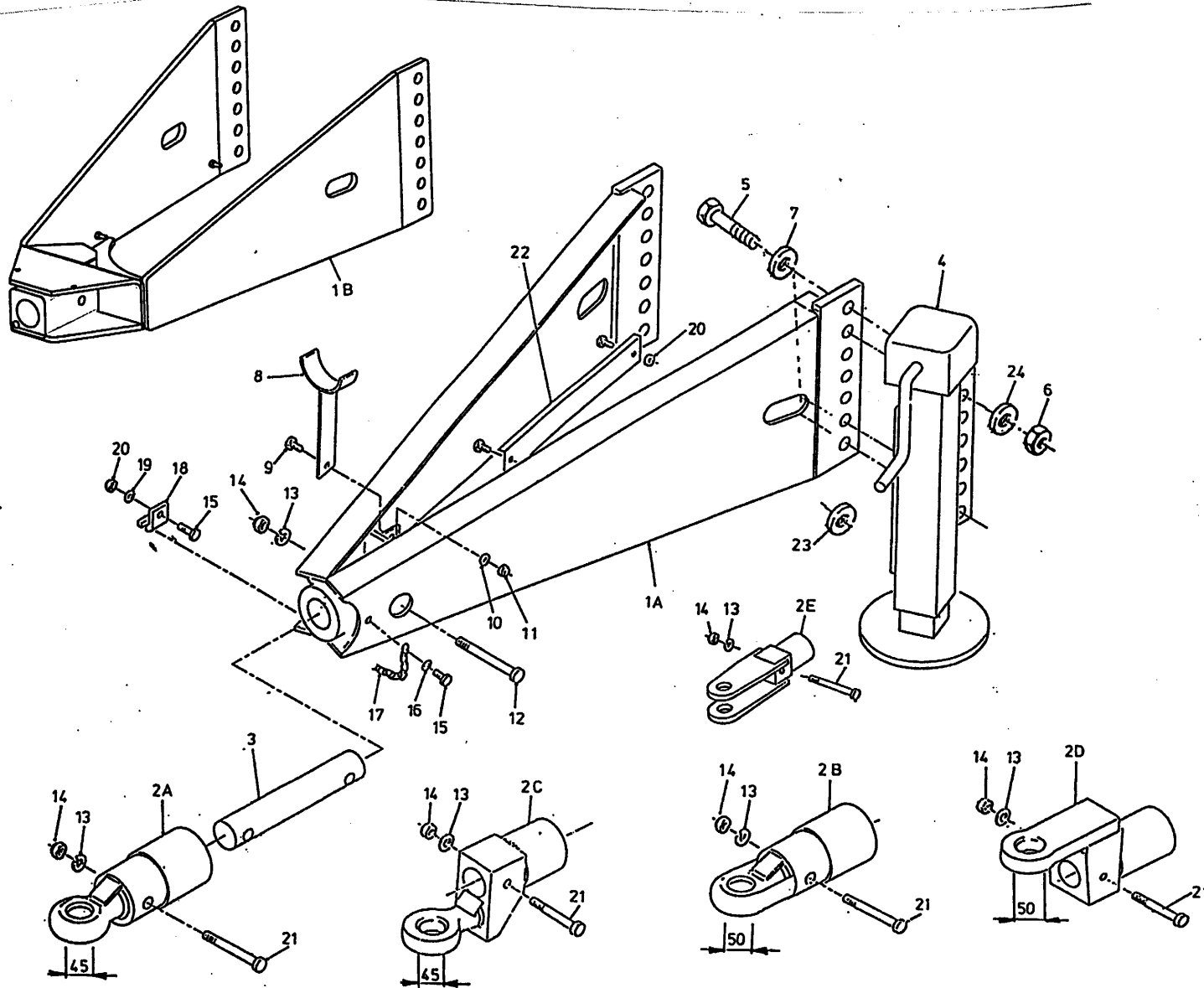


bestelnummer
ordernummer
Num. à commander
Bestellnummer

| | | | |
|-----|-------|---|---------|
| 1 | 91160 | 1 | |
| 2 | 91159 | 1 | |
| 3 | 91243 | 1 | |
| 4 | 91240 | 1 | |
| 5 | 91242 | 1 | |
| 6 | 91245 | 1 | |
| 7 | 91183 | 8 | |
| 8 | 91249 | 2 | |
| 9 | 91252 | 2 | |
| 10 | 91241 | 1 | |
| 11 | 91182 | 1 | |
| 12A | 91331 | 1 | 8 kmh |
| 12B | 91130 | 1 | 25 kmh |
| 13 | 91152 | 2 | |
| 14 | 91162 | 2 | |
| 15 | 91340 | 1 | |
| 16 | 91118 | 1 | |
| 17 | 91335 | 1 | |
| 18 | 91228 | 2 | |
| 19A | 91330 | 2 | 6.0 bar |
| 19B | 91324 | 2 | 8.0 bar |
| 20 | 91325 | 2 | |
| 21 | 91333 | 2 | |

92125/4

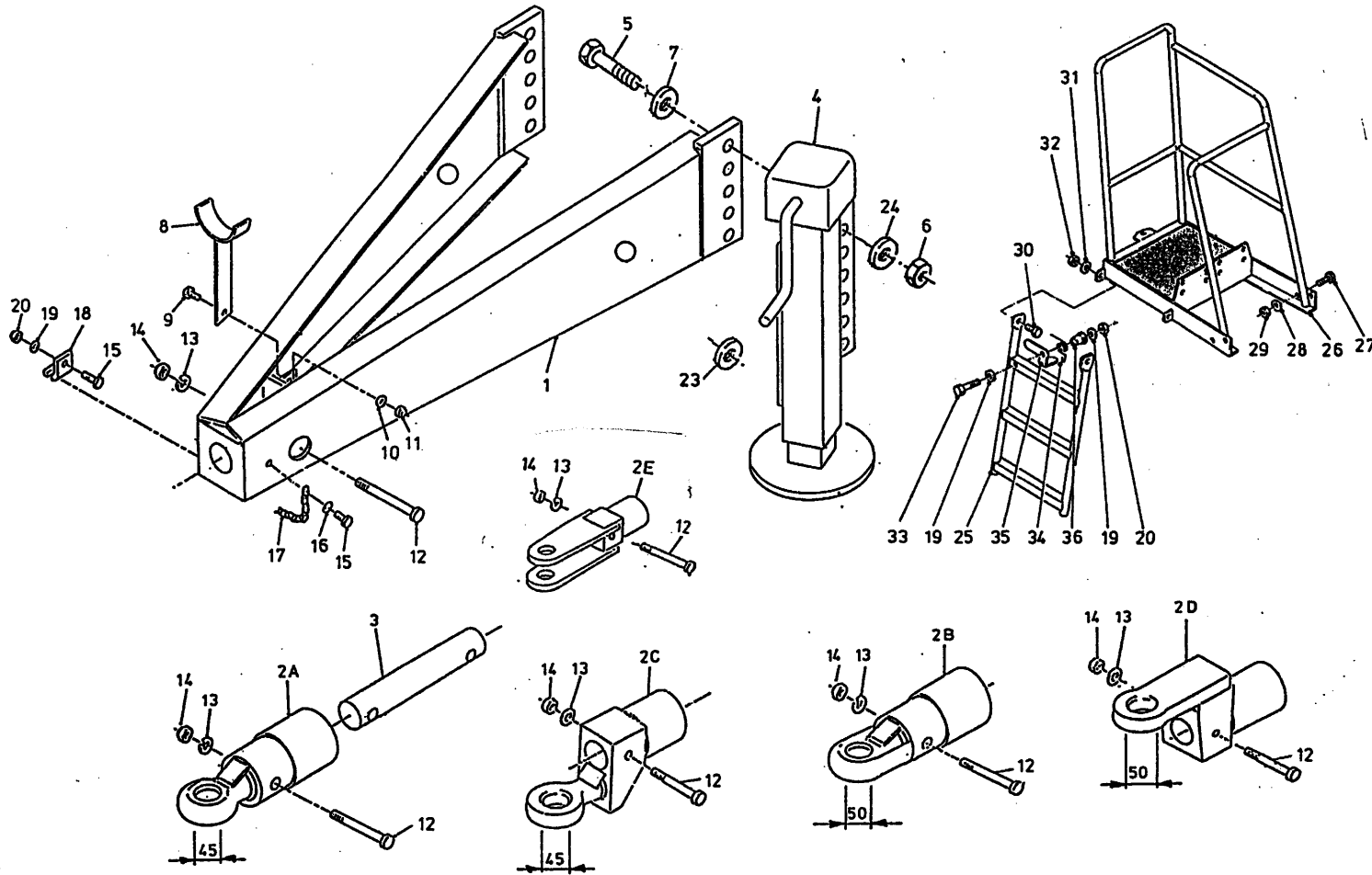
Afbeelding 2A : Dissel voorlossend
 Abbildung 2A : Deichsel Entleerung Vorne
 Picture 2A : Drawbar front discharge



| bestelnummer | ordernummer | Num. à commander | Bestellnummer |
|--------------|-------------|------------------|----------------|
| 1A | 11942 | 1 | |
| 1B | 12746 | 1 | USA |
| 2A | 12229 | 1 | Ø45 |
| 2B | 12560 | 1 | Ø50 |
| 2C | 12230 | 1 | Ø45 |
| 2D | 12612 | 1 | Ø50 |
| 2E | 12953 | 1 | |
| 3 | 31746 | 1 | |
| 4 | 11946 | 1 | |
| 5A | 82409 | 3 | M24 x 90 8.8 |
| 5B | 82470 | 2 | M24x70 8.8 |
| 6 | 86224 | 5 | M24 |
| 7 | 85124 | 5 | M24 |
| 8 | 11709 | 1 | |
| 9 | 81026 | 1 | M10 x 25 |
| 10 | 85110 | 1 | M10 |
| 11 | 86210 | 1 | M10 |
| 12 | 82014 | 2 | M20 x 140 12.9 |
| 13 | 85020 | 3 | M20 |
| 14 | 86220 | 3 | M20 |
| 15 | 80831 | 2 | M8 x 30 |
| 16 | 85109 | 1 | M8 |
| 17 | 39136 | 1 | |
| 18 | 24528 | 1 | |
| 19 | 85108 | 1 | M8 |
| 20 | 86208 | 3 | M8 |
| 21 | 82013 | 1 | M20 x 130 12.9 |
| 22 | 40431 | 1 | |
| 23 | 31627 | 1 | |
| 24 | 85024 | 5 | M24 |

92125/4

Afbeelding 2B : Dissel achterlossend zijlossend
 Abbildung 2B : Deichsel Entleerung Hinten / Seitlich
 Picture 2B : Drawbar rear and side discharge



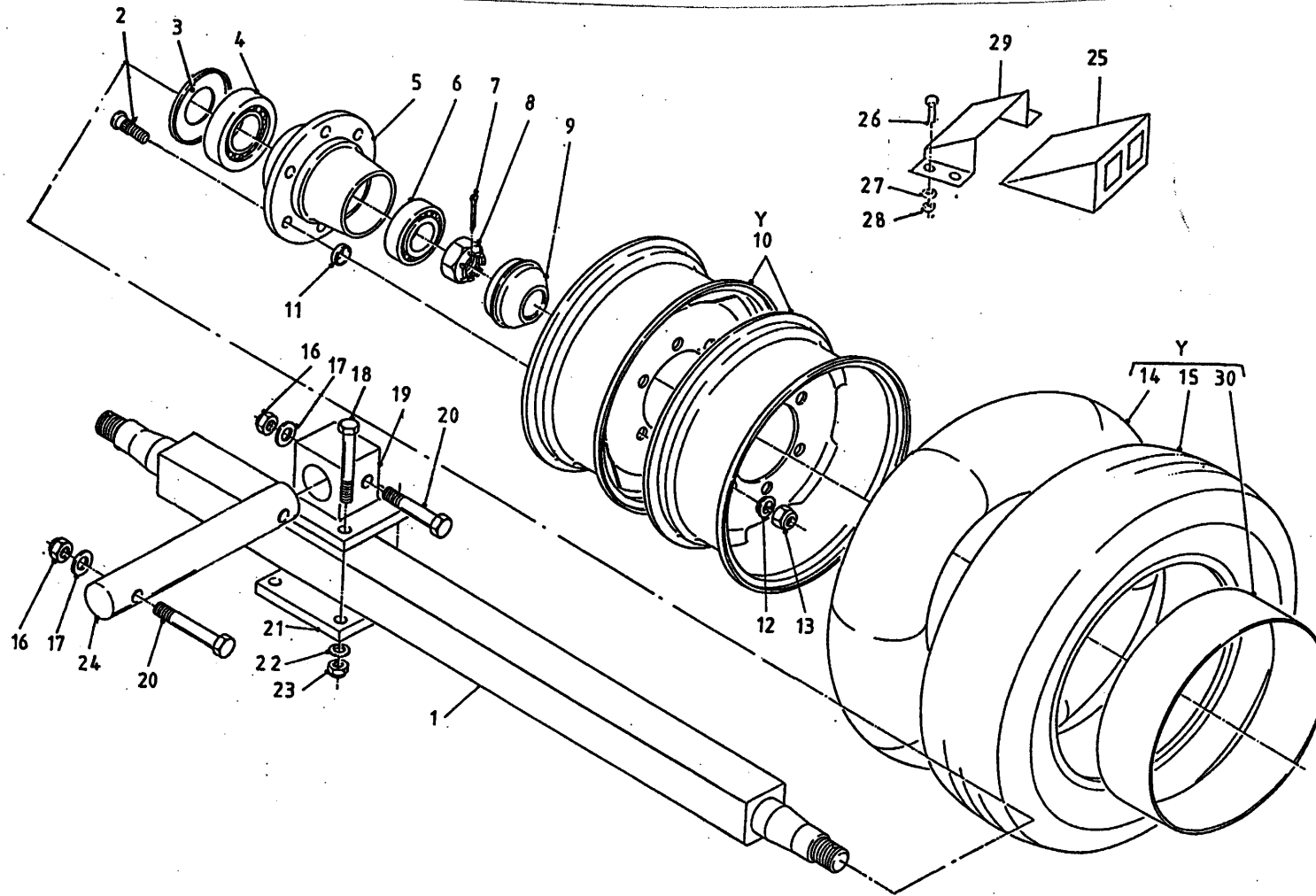
bestelnummer
 ordernummer
 Num. à commander
 Bestellnummer

| | | | |
|-----|-------|---|----------------|
| 1 | 12592 | 1 | |
| 2A | 12229 | 1 | Ø45 |
| 2B | 12560 | 1 | Ø50 |
| 2C | 12230 | 1 | Ø45 |
| 2D | 12612 | 1 | Ø50 |
| 2E | 12953 | 1 | |
| 3 | 31746 | 1 | |
| 4 | 11946 | 1 | |
| 5A | 82470 | 2 | M24 x 70 8.8 |
| 5B | 82450 | 3 | M24 x 50 8.8 |
| 6 | 86124 | 5 | M24 |
| 7 | 85124 | 5 | M24 |
| 8 | 11709 | 1 | |
| 9 | 81026 | 1 | M10 x 25 |
| 10 | 85110 | 1 | M10 |
| 11 | 86210 | 1 | M10 |
| 12 | 82013 | 2 | M20 x 130 12.9 |
| 13 | 85020 | 2 | M20 |
| 14 | 86220 | 2 | M20 |
| 15 | 80831 | 2 | M8 x 30 |
| 16 | 85109 | 1 | M8 |
| 17 | 39136 | 1 | |
| 18 | 24528 | 1 | |
| 19 | 85108 | 3 | M8 |
| 20 | 86208 | 2 | M8 |
| 23 | 31502 | 1 | |
| 24 | 85024 | 5 | M24 |
| 25 | 12557 | 1 | |
| 26 | 12556 | 1 | |
| 27 | 81636 | 4 | M16 x 35 |
| 28 | 85116 | 4 | M16 |
| 29 | 86216 | 4 | M16 |
| 30 | 81231 | 2 | M12 x 30 |
| 31 | 85112 | 2 | M12 |
| 32 | 86212 | 2 | M12 |
| 33 | 80840 | 1 | M8 x 40 |
| 34A | 65084 | 1 | → 02 |
| 34B | 65088 | 1 | ↳ 03 |
| 35A | 12586 | 1 | → 02 |
| 35B | 28064 | 1 | ↳ 03 |
| 36 | 32064 | 1 | |

92125/4

Afbeelding 3A
Abbildung 3A
Picture 3A

: Wielas ongeremd 8/1000 → 02
: Radachse ohne Bremse 8/1000 → 02
: Unbraked wheelaxle 8/1000 → 02

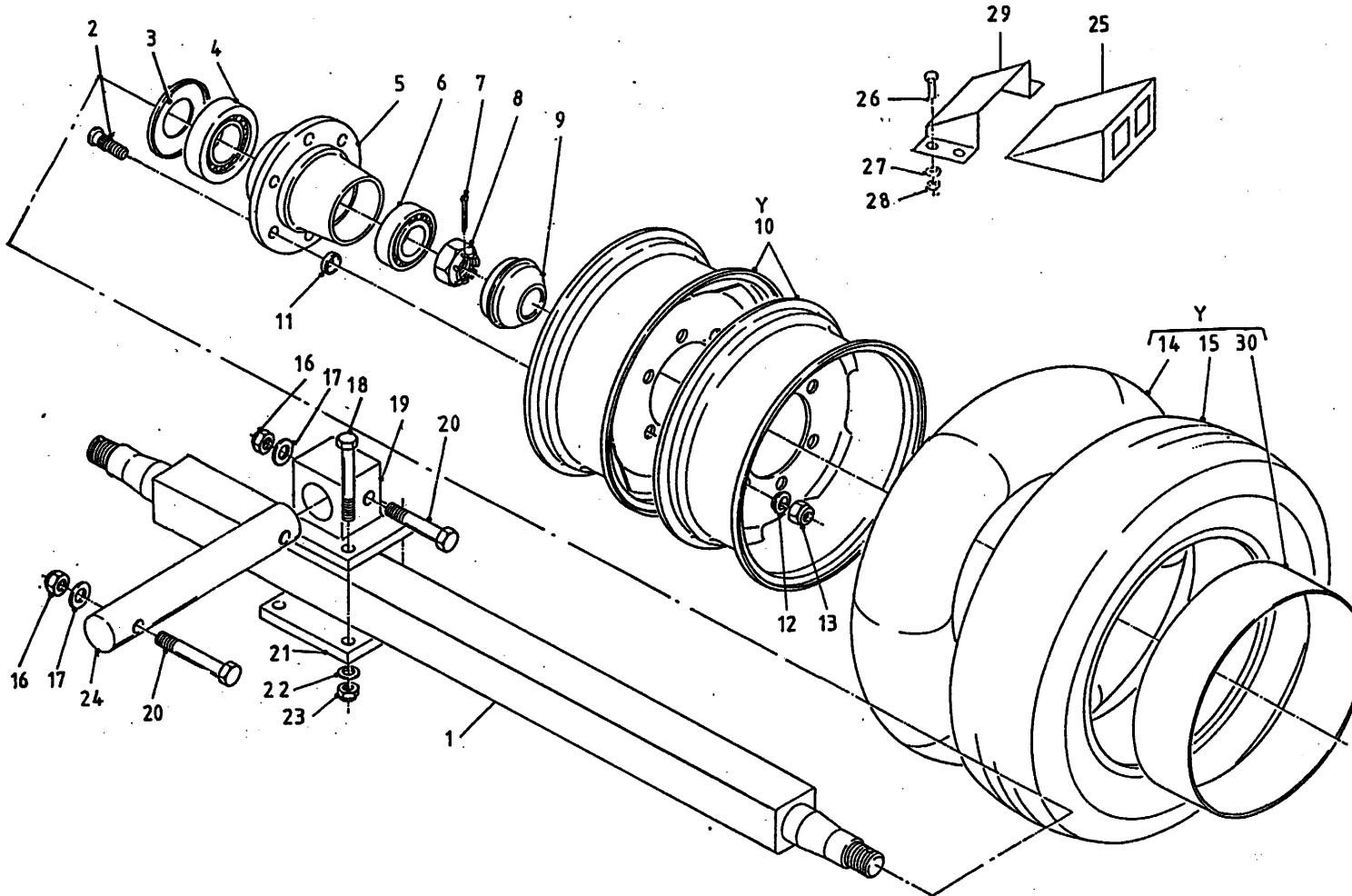


bestelnummer
ordernummer
Num. à commander
Bestellnummer

| | | | |
|----|-------|----|----------------------|
| 1 | 90655 | 1 | □ 80mm L=1500 |
| 2 | 84939 | 12 | M18 x 1.5 L=60/65 |
| 3 | 90790 | 2 | |
| 4 | 70132 | 2 | 32215 |
| 5 | 90501 | 2 | |
| 6 | 70131 | 2 | 32212 |
| 7 | 90522 | 2 | |
| 8 | 90504 | 2 | M45 x 2 |
| 9 | 90505 | 2 | |
| 10 | 90599 | 4 | 6.00 x 15 |
| 11 | 90520 | 12 | |
| 12 | 90521 | 12 | |
| 13 | 90519 | 12 | M18 x 1.5 H=18 |
| 14 | 90976 | 4 | 600/650 x 15 |
| 15 | 90601 | 4 | 27 x 7.75 - 15 |
| 16 | 86220 | 4 | M20 |
| 17 | 85120 | 4 | M20 |
| 18 | 81615 | 8 | M16 x 140 10.9 |
| 19 | 11945 | 2 | |
| 20 | 82013 | 4 | M20 x 130 12.9 |
| 21 | 25221 | 2 | |
| 22 | 85116 | 4 | M16 |
| 23 | 86516 | 8 | M16 |
| 24 | 31746 | 2 | |
| 25 | 90402 | 2 | |
| 26 | 80821 | 8 | M8 x 20 |
| 27 | 85108 | 16 | M8 |
| 28 | 86208 | 8 | M8 |
| 29 | 90403 | 2 | |
| 30 | 90728 | 4 | 250 x 15/8.15 |
| Y | 90493 | 2 | buiten 27 X 7.75 -15 |
| Y | 90611 | 2 | binnen 27 X 7.75-15 |

92125/4

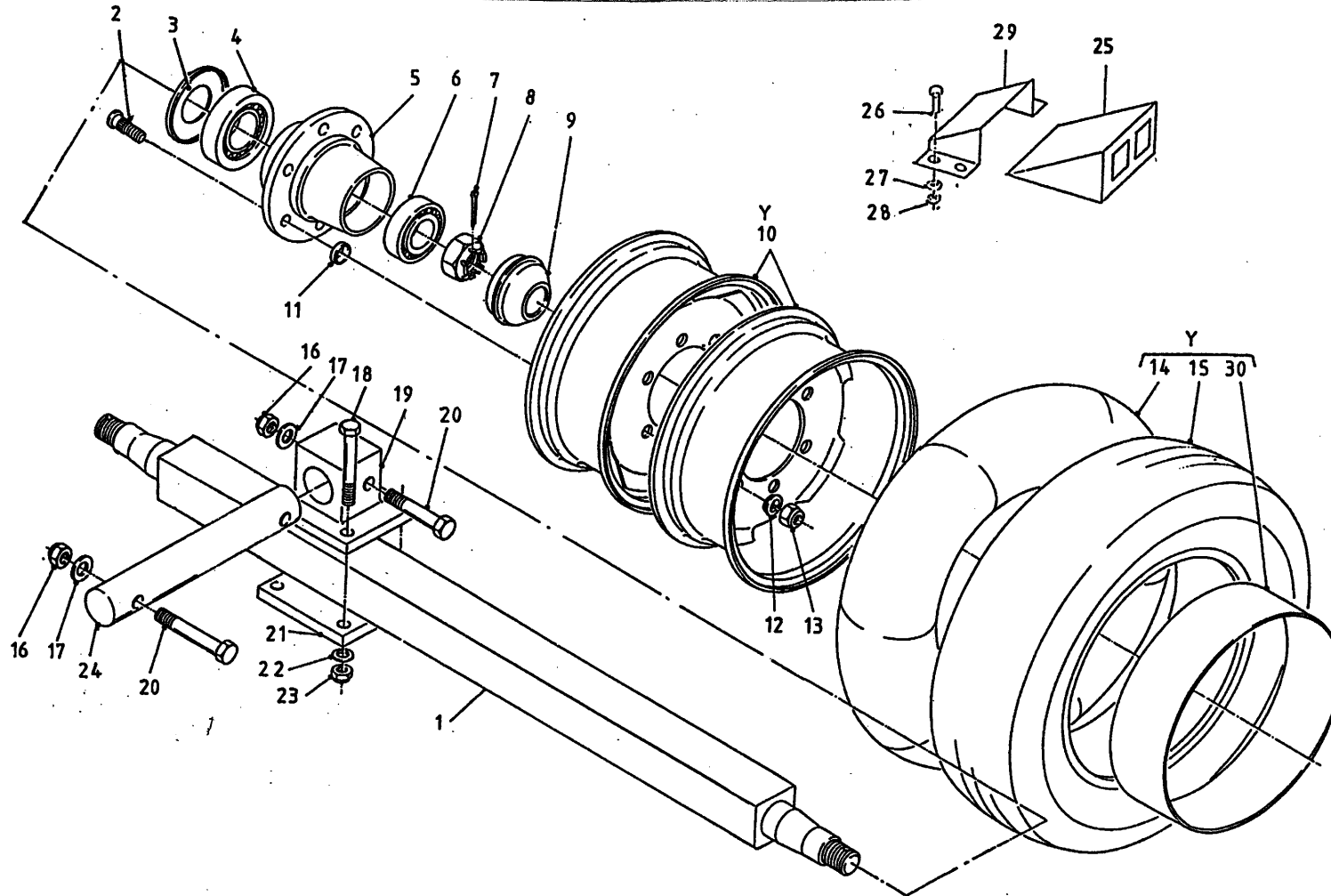
Afbeelding 3B : Wielas ongeremd 8/1000 I → 03
 Abbildung 3B : Radachse ohne Bremse 8/1000 I → 03
 Picture 3B : Unbraked wheelaxle 8/1000 I → 03



| bestelnummer | | ordernummer | |
|------------------|-------|---------------|--------------------|
| Num. à commander | | Bestellnummer | |
| 1 | 90788 | 1 | □ 70mm L=1500 |
| 2 | 84939 | 12 | M18 x 1.5 |
| 3 | 90790 | 2 | |
| 4 | 70149 | 2 | 30213 |
| 5 | 90787 | 2 | |
| 6 | 70137 | 2 | 32210 |
| 7 | 90758 | 2 | |
| 8 | 90789 | 2 | M39 x 2 |
| 9 | 90791 | 2 | |
| 10 | 90599 | 4 | 6.00 x 15 |
| 11 | 90520 | 12 | |
| 12 | 90521 | 12 | |
| 13 | 90519 | 12 | M18 x 1.5 H=18 |
| 14 | 90976 | 4 | 600/650 x 15 |
| 15 | 90601 | 4 | 27 x 7.75 - 15 |
| 16 | 86220 | 4 | M20 |
| 17 | 85120 | 4 | M20 |
| 18 | 81615 | 8 | M16 x 140 10.9 |
| 19 | 11945 | 2 | |
| 20 | 82013 | 4 | M20 x 130 12.9 |
| 21 | 25221 | 2 | |
| 22 | 85116 | 4 | M16 |
| 23 | 86516 | 8 | M16 |
| 24 | 31746 | 2 | |
| 25 | 90402 | 2 | |
| 26 | 80821 | 8 | M8 x 20 |
| 27 | 85108 | 16 | M8 |
| 28 | 86208 | 8 | M8 |
| 29 | 90403 | 2 | |
| 30 | 90728 | 4 | 250 x 15/8.15 |
| Y | 90493 | 2 | buiten 27X7.75 -15 |
| Y | 90611 | 2 | binnen 27X7.75-15 |

92125/4

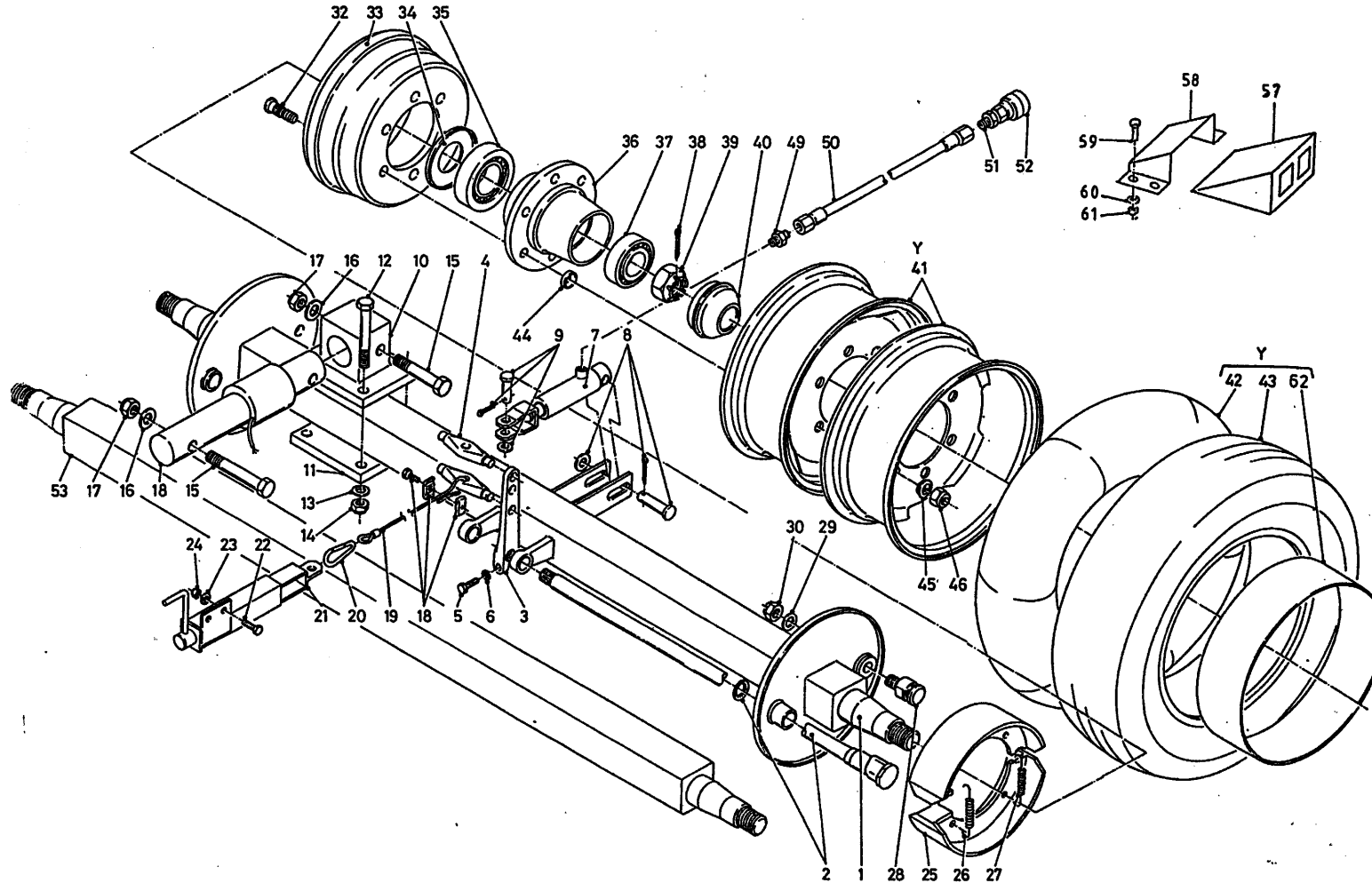
Afbeelding 3C : Wielas ongeremd 12/1400
 Abbildung 3C : Radachse ohne Bremse 12/1400
 Picture 3C : Unbraked wheelaxle 12/1400



| | | bestelnummer | ordernummer | Num. à commander | Bestellnummer |
|-----|-------|--------------|-------------------------------|------------------|---------------|
| 1A | 90655 | 1 | 12m ³ □80mm L=1500 | | |
| 1B | 90532 | 1 | 14m ³ □80mm L=1700 | | |
| 2 | 84939 | 12 | M18 x 1.5 L=60/65 | | |
| 3 | 90503 | 2 | | | |
| 4 | 70132 | 2 | 32215 | | |
| 5 | 90501 | 2 | | | |
| 6 | 70131 | 2 | 32212 | | |
| 7 | 90522 | 2 | | | |
| 8 | 90504 | 2 | M45 x 2 | | |
| 9 | 90505 | 2 | | | |
| 10A | 90596 | 4 | 6.5 x 15 | | |
| 10B | 90599 | 4 | 6.0 x 15 | | |
| 11 | 90520 | 12 | | | |
| 12 | 90521 | 12 | | | |
| 13 | 90519 | 12 | M18 x 1.5 H=18 | | |
| 14A | 90597 | 4 | 8.15 - 15 | | |
| 14B | 90600 | 4 | 700-15 | | |
| 15A | 90598 | 4 | 8.15 - 15 | | |
| 15B | 90808 | 4 | H 29 x 9.00 - 15 | | |
| 16 | 86220 | 4 | M20 | | |
| 17 | 85120 | 4 | M20 | | |
| 18 | 81615 | 8 | M16 x 140 10.9 | | |
| 19 | 11945 | 2 | | | |
| 20 | 82013 | 4 | M20 x 130 12.9 | | |
| 21 | 25221 | 2 | | | |
| 22 | 85116 | 8 | M16 | | |
| 23 | 86516 | 8 | M16 | | |
| 24 | 31746 | 2 | | | |
| 25 | 90402 | 2 | | | |
| 26 | 80821 | 8 | M8 x 20 | | |
| 27 | 85108 | 16 | M8 | | |
| 28 | 86208 | 8 | M8 | | |
| 29 | 90403 | 2 | | | |
| 30 | 90728 | 4 | 250 x 15/8.15 | | |
| Y1 | 90489 | 2 | buiten 8.15 - 15 → 02 | | |
| Y1 | 90612 | 2 | binnen 8.15 - 15 → 02 | | |
| Y2 | 90860 | 2 | buiten H29x9.00-15 → 03 | | |
| Y2 | 90859 | 2 | binnen H29x9.00-15 → 03 | | |

92125/4

Afbeelding 4A : Wielas met hydraulisch Remsysteem 8 /1000 I→ 03
 Abbildung 4A : Radachse mit Hydraulische Bremse 8/1000 I→ 03
 Picture 4A : Wheelaxle with hydraulic brakes 8/1000 I→ 03

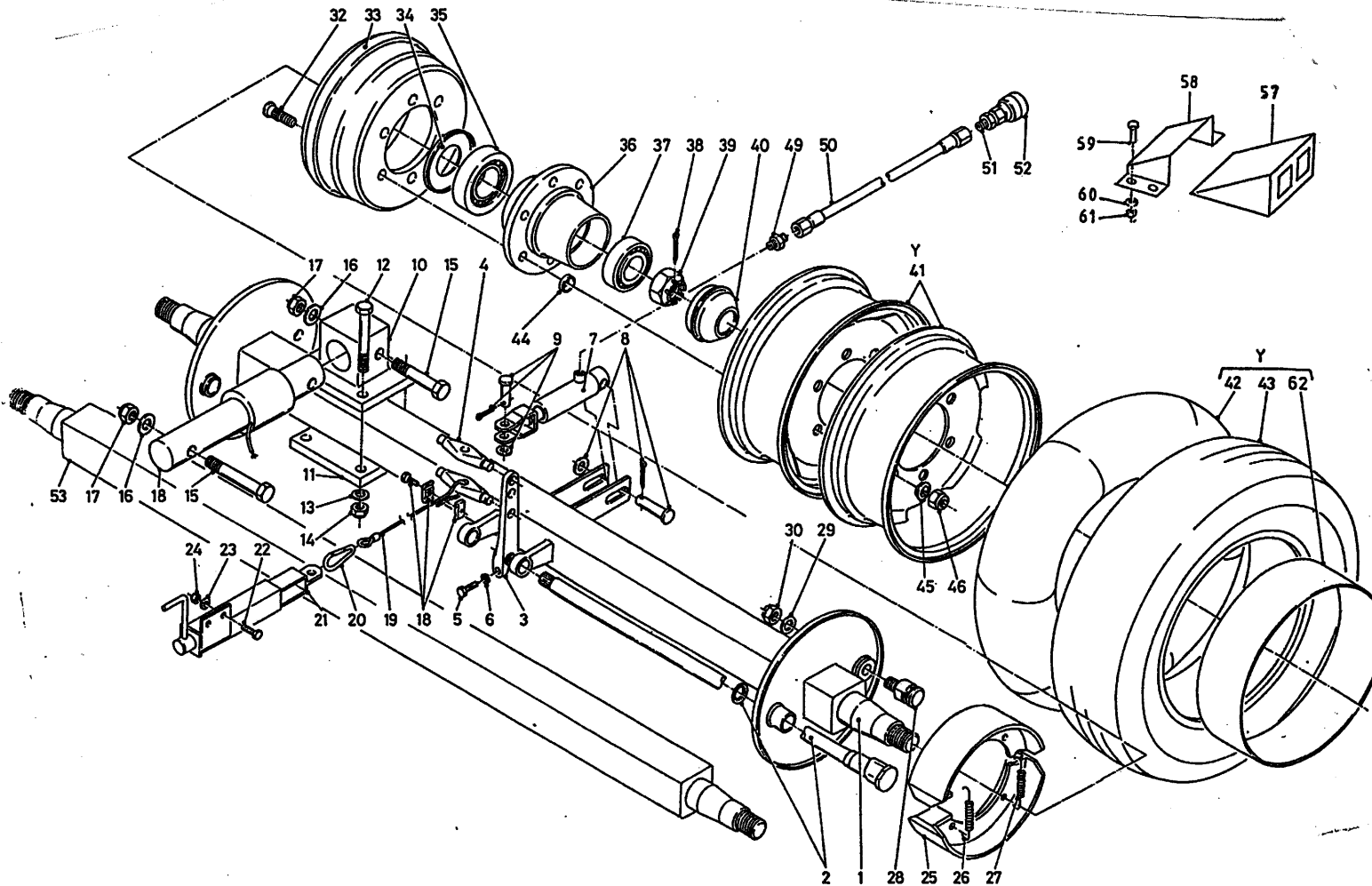


bestelnummer
 ordernummer
 Num. à commander
 Bestellnummer

| | | | |
|----|-------|----|----------------|
| 1 | 90783 | 1 | L=1500 □ 70mm |
| 2 | 90761 | 2 | |
| 3 | 90760 | 2 | |
| 4 | 90506 | 2 | |
| 5 | 80845 | 2 | M8 x 45 |
| 6 | 86108 | 2 | M8 |
| 7 | 51110 | 1 | |
| 8 | 90514 | 1 | |
| 9 | 90515 | 1 | |
| 10 | 11945 | 2 | |
| 11 | 25221 | 2 | |
| 12 | 81615 | 8 | M16 x 140 10.9 |
| 13 | 85116 | 8 | M16 |
| 14 | 86516 | 8 | M16 |
| 15 | 82013 | 4 | M20 x 130 12.9 |
| 16 | 85120 | 4 | M20 |
| 17 | 86220 | 4 | M20 |
| 18 | 31746 | 2 | |
| 19 | 79081 | 1 | L=1800 |
| 20 | 39139 | 1 | |
| 21 | 11997 | 1 | |
| 22 | 81031 | 2 | M10 x 30 |
| 23 | 85110 | 2 | M10 |
| 24 | 86210 | 2 | M10 |
| 25 | 90762 | 4 | |
| 26 | 90767 | 2 | |
| 27 | 90768 | 2 | |
| 28 | 90763 | 2 | |
| 29 | 90765 | 2 | |
| 30 | 90764 | 2 | M16 x 2 H=13 |
| 32 | 84938 | 12 | M18 x 1.5 |
| 33 | 90792 | 2 | |
| 34 | 90790 | 2 | |
| 35 | 70149 | 2 | 30213 |
| 36 | 90787 | 2 | |
| 37 | 70137 | 2 | 32210 |

92125/4

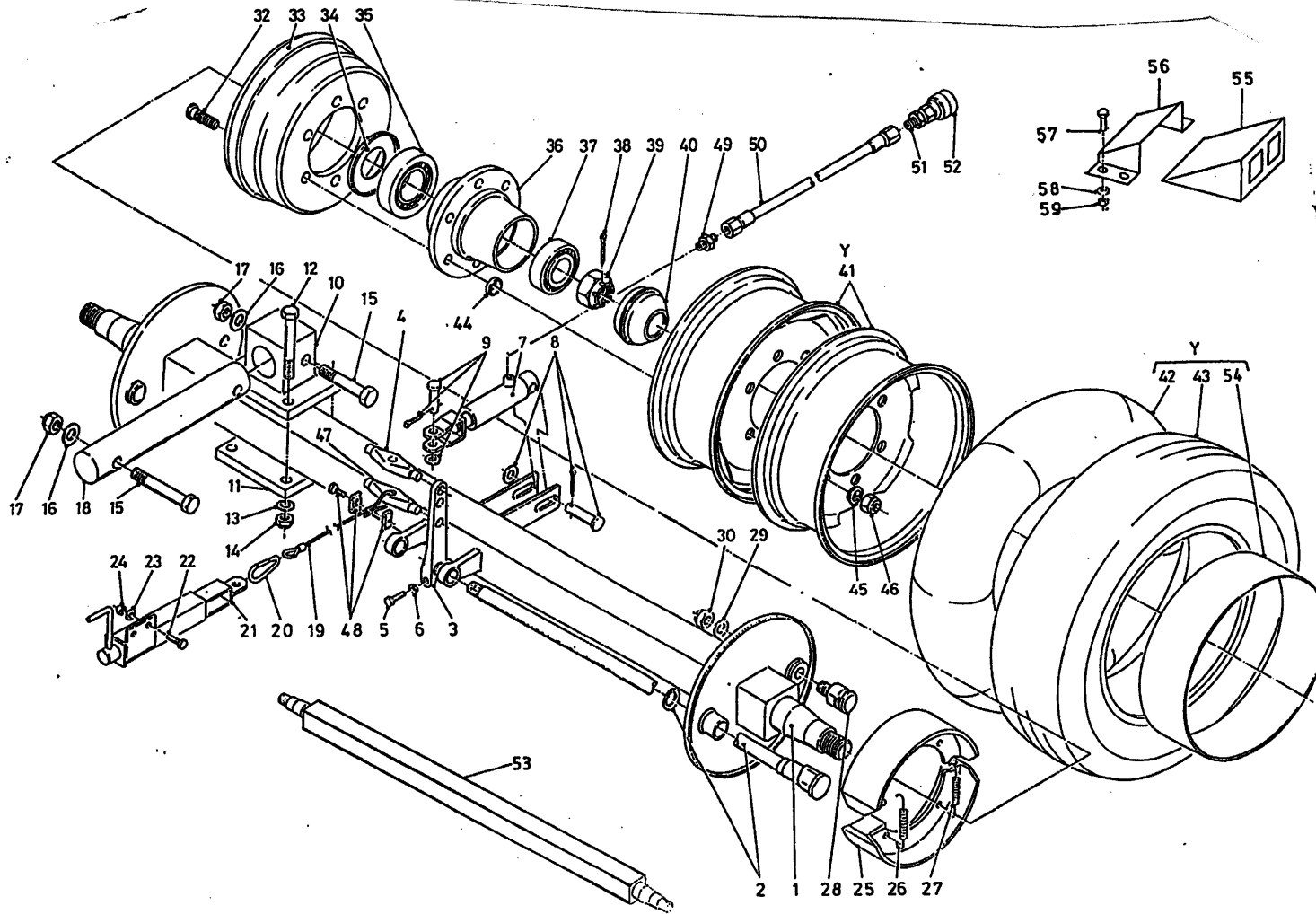
Afbeelding 4A : Wielas met hydraulisch Remstelsiem 8/1000 I→ 03
 Abbildung 4A : Radachse mit Hydraulische Bremse 8/1000 I→ 03
 Picture 4A : Wheelaxle with hydraulic brakes 8/1000 I→ 03



| bestelnummer | ordernummer | Num. à commander | Bestellnummer |
|--------------|-------------|------------------|-------------------|
| 38 | 90758 | 2 | |
| 39 | 90757 | 2 | M39 x 2 |
| 40 | 90791 | 2 | |
| 41 | 90599 | 4 | |
| 42 | 90976 | 4 | 600/650 x 15 |
| 43 | 90601 | 4 | 27 x 7.75 -15 |
| 44 | 90520 | 12 | |
| 45 | 90521 | 12 | |
| 46 | 90519 | 12 | M18 x 1.5 H=18 |
| 47 | 31747 | 1 | |
| 48 | 90430 | 1 | |
| 49 | X50124 | 1 | |
| 50 | W50974 | 1 | 1/4" 5800 RR |
| 51 | X50114 | 1 | |
| 52 | 53327 | 1 | |
| 53 | 90788 | 1 | |
| 54 | 90769 | 1 | |
| 57 | 90402 | 2 | |
| 58 | 90403 | 2 | |
| 59 | 80821 | 8 | M8 x 20 |
| 60 | 85108 | 16 | M8 |
| 61 | 86208 | 8 | M8 |
| 62 | 90728 | 2 | 250 x 15/8.15 |
| Y | 90493 | 2 | Buiten 27x7.75-15 |
| Y | 90611 | 2 | Binnen 27x7.75-15 |

92125/4

Afbeelding 4B : Wielas met hydraulisch remsysteem Solomix 8/1000 → I 02 en Solomix 12/1400
 Abbildung 4B : Radachse mit hydraulischer Bremse Solomix 8/1000 → I 02 und Solomix 12/1400
 Picture 4B : Wheelaxle with hydraulic brakes Solomix 8/1000 → I 02 and Solomix 12/1400

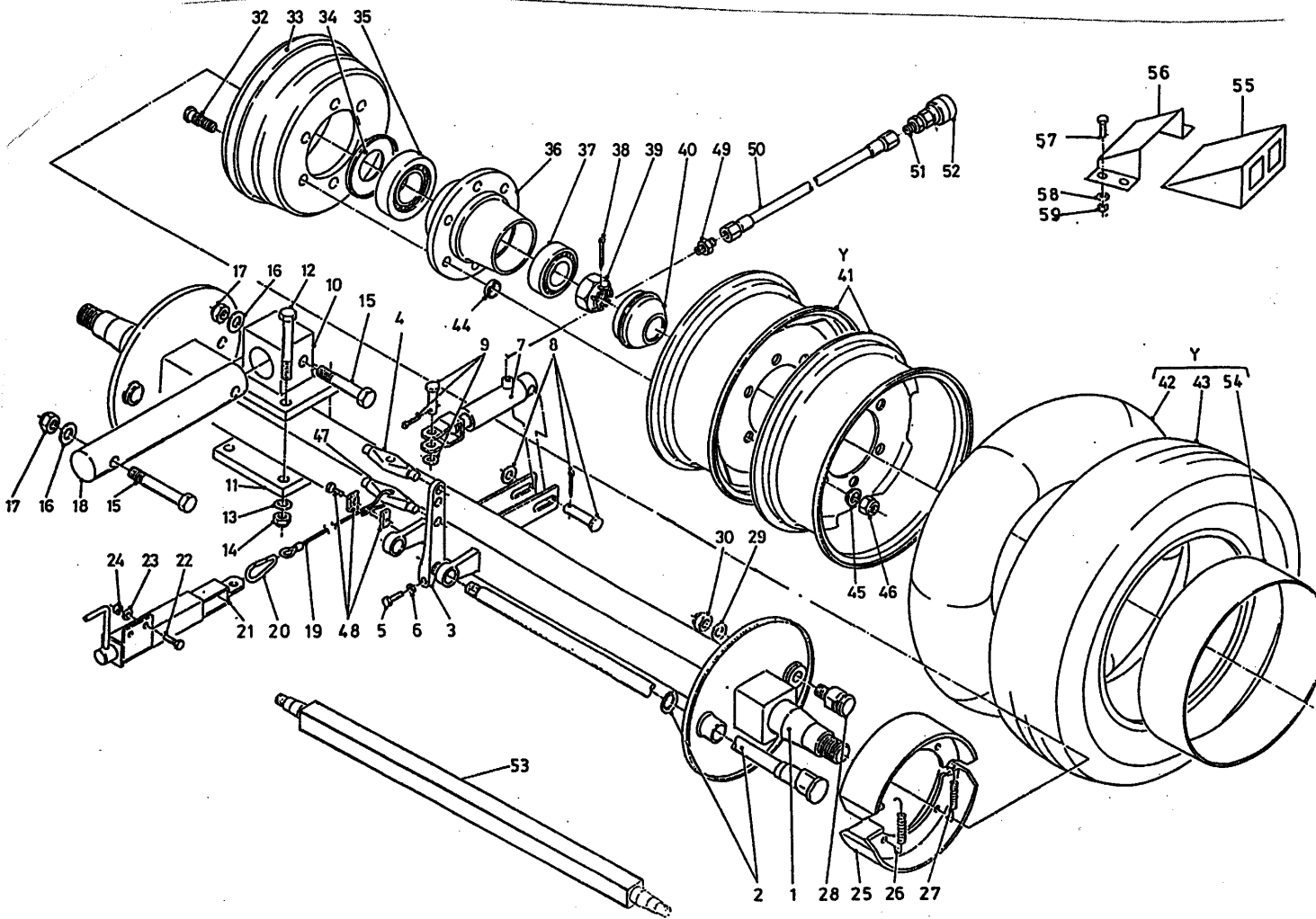


bestelnummer
 ordernummer
 Num. à commander
 Bestellnummer

| | | | |
|-----|-------|----|----------------|
| 1A | 90480 | 1 | L=1500 □ 80mm |
| 1B | 90487 | 1 | L=1700 □ 80mm |
| 2 | 90508 | 2 | |
| 3 | 90507 | 2 | |
| 4 | 90506 | 1 | |
| 5 | 81060 | 2 | M10 x 60 |
| 6 | 86110 | 2 | M10 |
| 7 | 51110 | 1 | |
| 8 | 90514 | 1 | |
| 9 | 90515 | 1 | |
| 10 | 11945 | 2 | |
| 11 | 25221 | 2 | |
| 12 | 81615 | 8 | M16 x 140 10.9 |
| 13 | 85016 | 8 | M16 |
| 14 | 86516 | 8 | M16 |
| 15 | 82013 | 4 | M20 x 130 12.9 |
| 16 | 85020 | 4 | M20 |
| 17 | 86220 | 4 | M20 |
| 18 | 31746 | 2 | |
| 19 | 79081 | 1 | L=1800 |
| 20 | 39139 | 1 | |
| 21 | 11997 | 1 | |
| 22 | 81031 | 2 | M10 x 30 |
| 23 | 85110 | 2 | M10 |
| 24 | 86210 | 2 | M10 |
| 25 | 90509 | 4 | |
| 26 | 90512 | 2 | |
| 27 | 90513 | 2 | |
| 28 | 90510 | 2 | |
| 29 | 90523 | 2 | |
| 30 | 90511 | 2 | |
| 31 | 90524 | 2 | |
| 32A | 84939 | 12 | M18x1,5L=60 |
| 32B | 84938 | 12 | M18x1,5L=74 |
| 33 | 90502 | 2 | |
| 34 | 90503 | 2 | |
| 35 | 70132 | 2 | 32215 |

92125/4

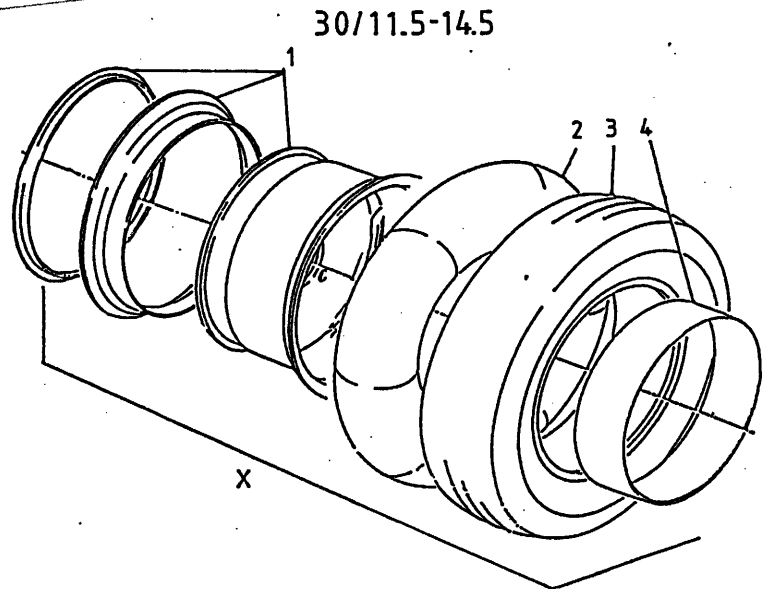
Afbeelding 4B : Wielas met hydraulisch remsysteem Solomix 8/1000 → 02 en Solomix 12/1400
 Abbildung 4B : Radachse mit hydraulischer Bremse Solomix 8/1000 → 02 und Solomix 12/1400
 Picture 4B : Wheelaxle with hydraulic brakes Solomix 8/1000 → 02 and Solomix 12/1400



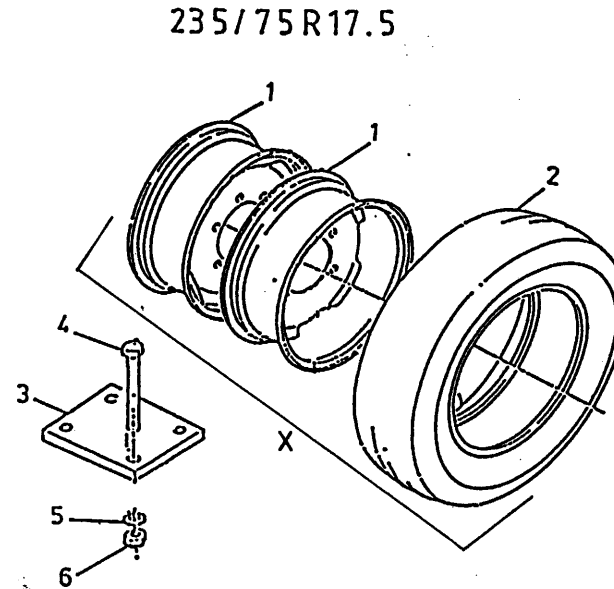
| bestelnummer | ordernummer | Num. à commander | Bestellnummer |
|--------------|-------------|------------------|------------------------|
| 36 | 90501 | 2 | |
| 37 | 70131 | 2 | 32212 |
| 38 | 90522 | 2 | |
| 39 | 90504 | 2 | |
| 40 | 90505 | 2 | |
| 41A | 90599 | 2 | 6.00 x 15 |
| 41B | 90596 | 2 | 5.5 x 15 |
| 42A | 90976 | 2 | 600/650 x 15 |
| 42B | 90597 | 2 | 8.15 - 15 |
| 42C | 90600 | 2 | 700 - 15 |
| 43A | 90601 | 2 | 27 x 7.75 |
| 43B | 90598 | 2 | 8.15 - 15 |
| 43C | 90808 | 2 | H29 x 9.00 - 15 |
| 44 | 90520 | 12 | |
| 45 | 90521 | 12 | |
| 46 | 90519 | 12 | M18 x 1,5 H=18 |
| 47 | 31747 | 1 | |
| 48 | 90430 | 1 | |
| 49 | X50124 | 1 | |
| 50 | W50974 | 1 | ½"5800 RR |
| 51 | X50114 | 1 | |
| 52 | 53327 | 1 | |
| 53A | 90632 | 1 | L=1500 |
| 53B | 90531 | 1 | L=1700 |
| 54 | 90728 | 4 | 250 x 15/8.15 |
| 55 | 90402 | 2 | |
| 56 | 90403 | 2 | |
| 57 | 80821 | 8 | M8 x 20 |
| 58 | 85108 | 16 | M8 |
| 59 | 86208 | 8 | M8 |
| Y | 90493 | 2 | 27x7.75 buiten |
| Y | 90611 | 2 | 27 x 7.75 binnen |
| Y1 | 90489 | 2 | 8.15-15 buiten → 02 |
| Y1 | 90612 | 2 | 8.15 - 15 binnen → 02 |
| Y2 | 90860 | 2 | H29 x 9.00 buiten → 03 |
| Y2 | 90859 | 2 | H29 x 9.00 binnen |

92125/4

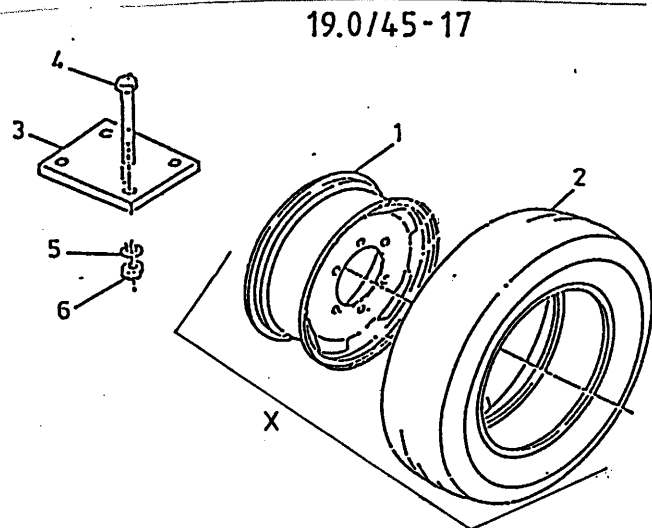
Afbeelding 5 : Speciale wielen
 Abbildung 5 : Spezielle Räder
 Picture 5 : Special wheels



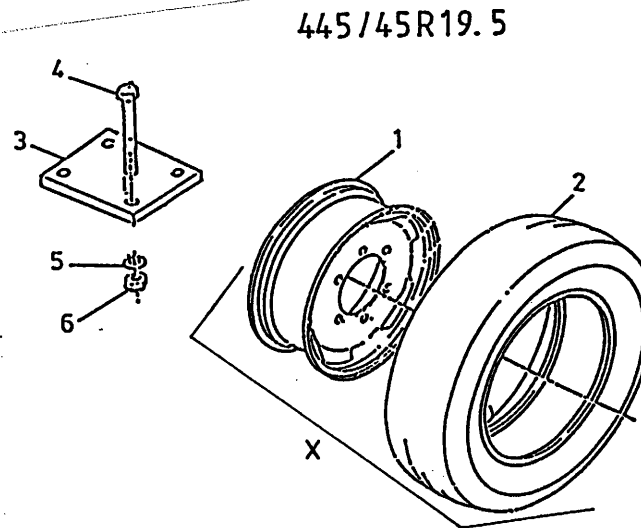
30/11.5-14.5



235/75 R17.5



19.0/45-17



445/45 R19.5

bestelnummer
 ordernummer
 Num. à commander
 Bestellnummer

30/11.5 - 14.5

| | | | |
|---|-------|---|----------------|
| 1 | 90749 | 2 | 10 x 14.5 |
| 2 | 90751 | 2 | 7.00 - 15 |
| 3 | 90750 | 2 | 30/11.5 - 14.5 |
| 4 | 80752 | 2 | 30/11.5 - 14.5 |
| X | 80748 | 2 | |

235-75 R17,5

| | | | |
|---|-------|---|----------------|
| 1 | 90846 | 4 | 1D 6.75 x 17.5 |
| 2 | 90847 | 4 | 235/75 R17.5 |
| 3 | 27821 | 2 | H=40 |
| 4 | 81620 | 8 | M16 x 200 12.9 |
| 5 | 85116 | 8 | M16 |
| 6 | 86124 | 8 | M16 |
| X | 90845 | 8 | |

19.0/45 -17

| | | | |
|---|-------|---|----------------|
| 1 | 90955 | 2 | 1D 16.0 x 17 |
| 2 | 90954 | 2 | 19.0/45 - 17 |
| 3 | 27821 | 2 | H=40 |
| 4 | 84495 | 8 | M16 x 240 12.9 |
| 5 | 85116 | 8 | M16 |
| 6 | 86216 | 8 | M16 |
| X | 90953 | 4 | |

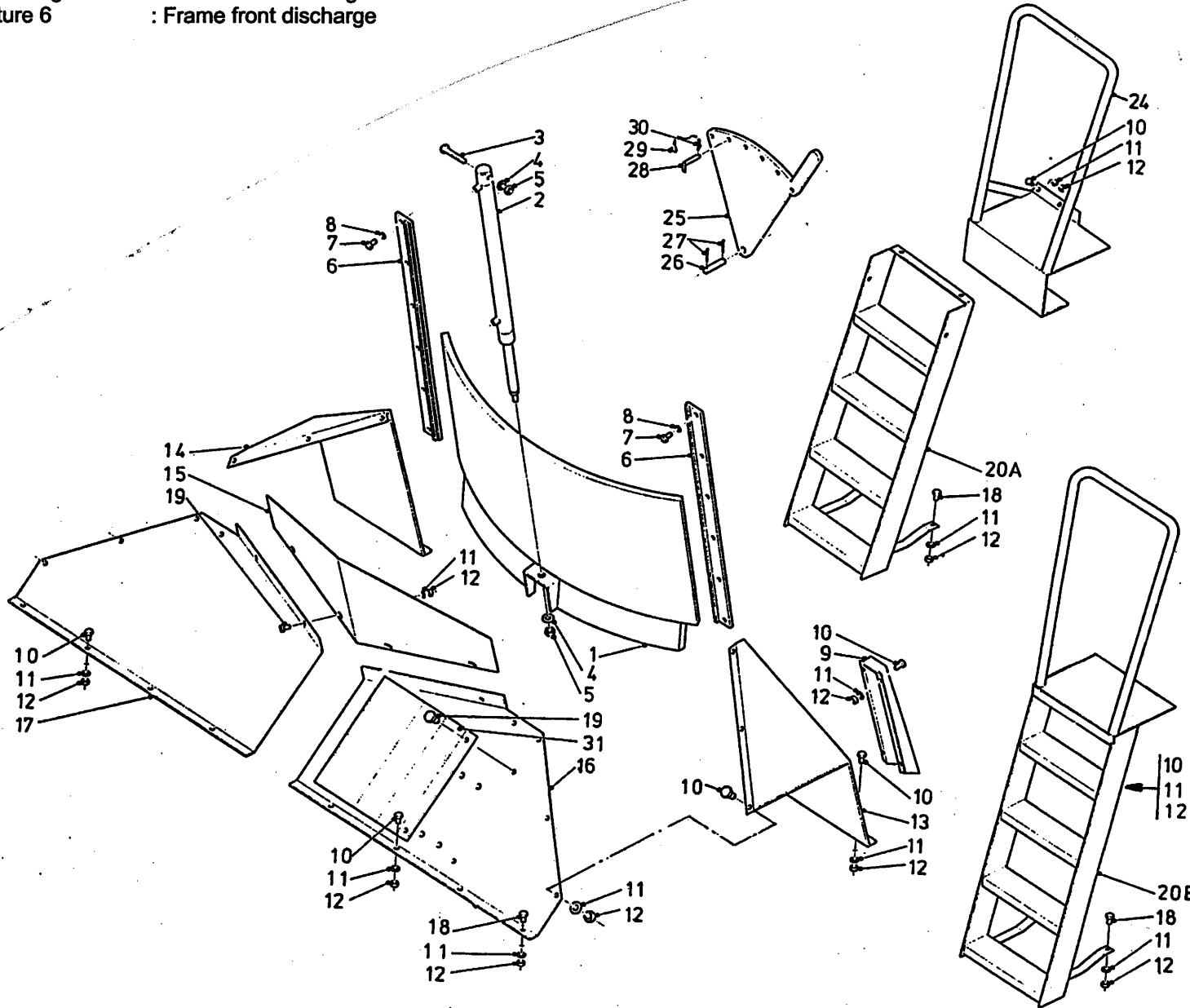
445/45 R 19,5

| | | | |
|---|-------|---|---------------|
| 1 | 90947 | 2 | 13 x 19.5 |
| 2 | 90907 | 2 | 445/45 - 19.5 |
| 3 | 27821 | 2 | H=40 |
| 4 | 82412 | 8 | M24 x 120 |
| 5 | 85024 | 8 | M24 |
| 6 | 86124 | 8 | M24 |
| X | 90946 | 4 | |

92125/4

Afbeelding 6
Abbildung 6
Picture 6

: Frame voorlossend
: Rahmen Entleerung Vorne
: Frame front discharge

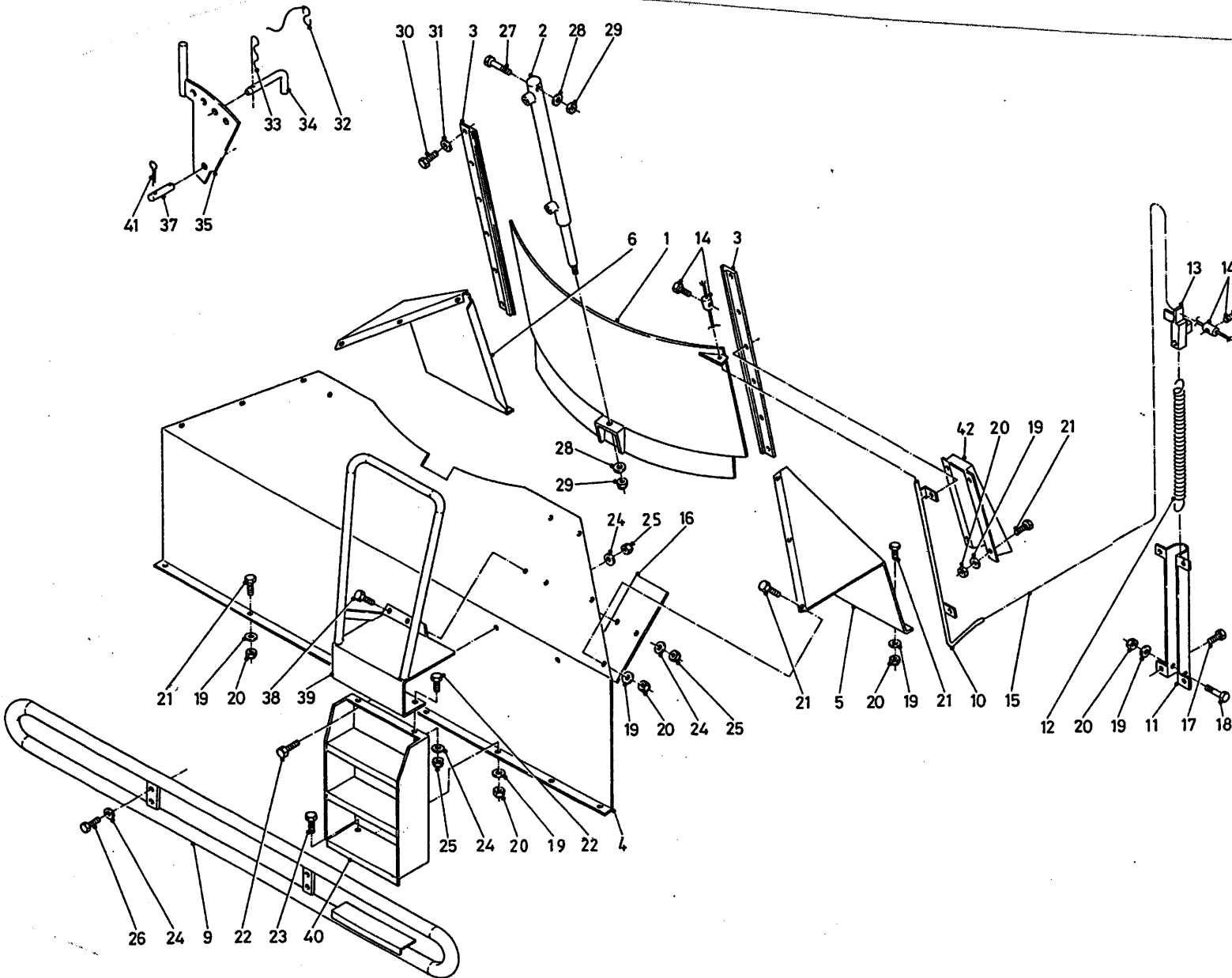


bestelnummer
ordernummer
Num. à commander
Bestellnummer

| | | | |
|-----|-------|----|------------|
| 1A | 12042 | 1 | 800 |
| 1B | 11682 | 1 | 1000 |
| 1C | 12011 | 1 | 1200 |
| 1D | 12012 | 1 | 1400 |
| 2A | 51114 | 1 | 800 |
| 2B | 51062 | 1 | 10/12/1400 |
| 3 | 81690 | 1 | M16 x 90 |
| 4 | 85116 | 2 | M16 |
| 5 | 86216 | 2 | M16 |
| 6 | 24446 | 2 | |
| 7 | 81031 | 2 | M10 x 30 |
| 8 | 85010 | 2 | M10 |
| 9 | 12064 | 1 | |
| 10 | 80821 | 32 | M8 x 20 |
| 11 | 85108 | 42 | M8 |
| 12 | 86208 | 38 | M8 |
| 13A | 25269 | 1 | 8/10/1200 |
| 13B | 25507 | 1 | 1400 |
| 14A | 25270 | 1 | 8/10/1200 |
| 14B | 25506 | 1 | 1400 |
| 15 | 40434 | 1 | |
| 16A | 26249 | 1 | 8/10/1200 |
| 16B | 26250 | 1 | 1400 |
| 17A | 25202 | 1 | 8/10/1200 |
| 17B | 25503 | 1 | 1400 |
| 18 | 80831 | 4 | M8 x 30 |
| 19 | 80810 | 4 | M8 x 10 |
| 20A | 11906 | 1 | → 02 |
| 20B | 12477 | 1 | ↳ 03 |
| 24 | 11981 | 1 | |
| 25 | 11998 | 1 | |
| 26 | 25332 | 2 | |
| 27 | 88239 | 4 | ∅ 5 x 40 |
| 28 | 90490 | 2 | |
| 29 | 90282 | 2 | |
| 30 | 65030 | 2 | |
| 31A | 12024 | 1 | → 02 |
| 31B | 12136 | 1 | ↳ 03 |

92125/4

Afbeelding 7A : Frame achterlossend → I 02
 Abbildung 7A : Rahmen Entleerung Hinten → I 02
 Picture 7A : Frame rear discharge → I 02



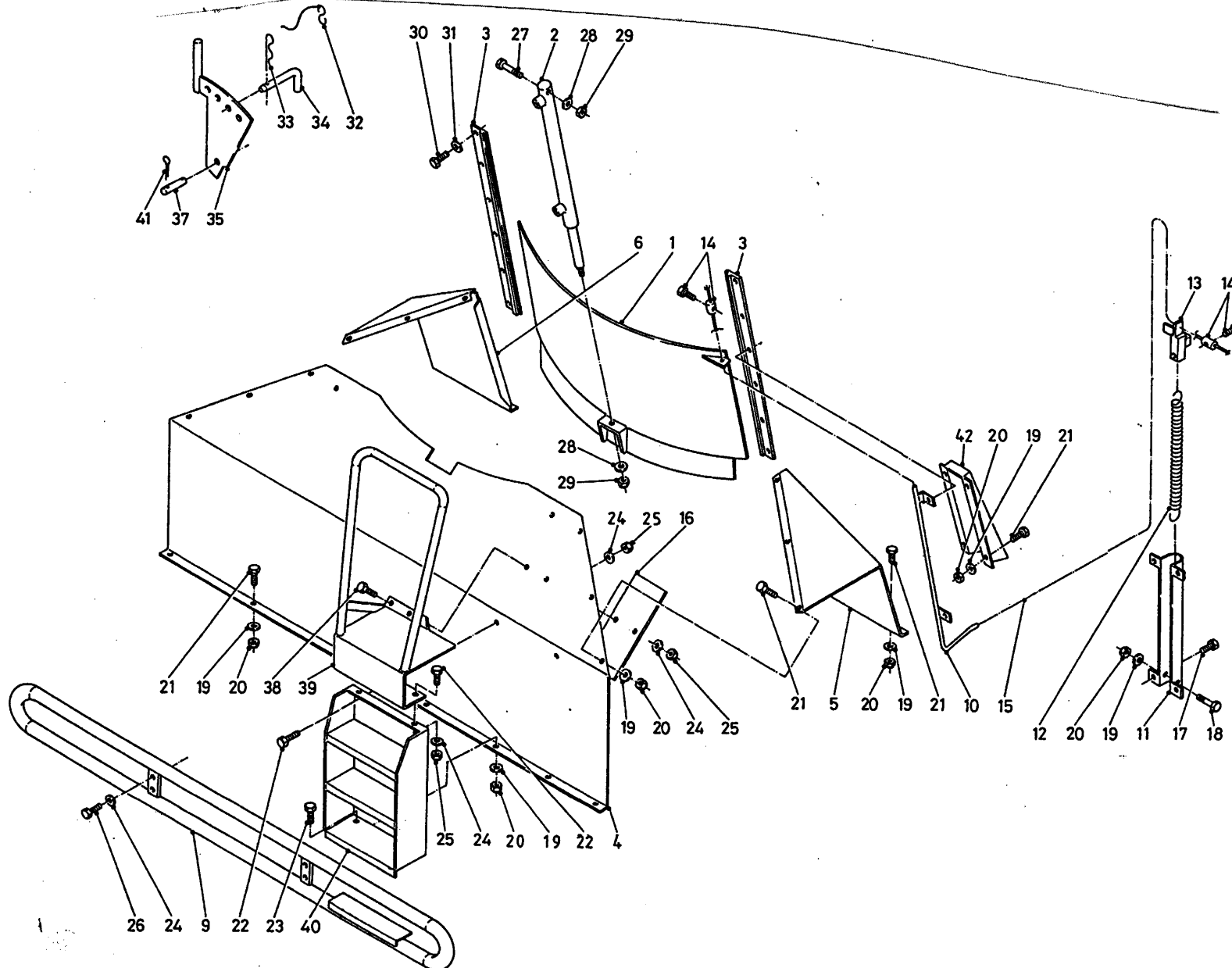
bestelnummer
 ordernummer
 Num. à commander
 Bestellnummer

| | | | |
|-----|-------|----|------------|
| 1A | 12263 | 1 | 800 |
| 1B | 12122 | 1 | 1000 |
| 1C | 12278 | 1 | 1200 |
| 1D | 12367 | 1 | 1400 |
| 2A | 51114 | 1 | 800 |
| 2B | 51062 | 1 | 10/12/1400 |
| 3 | 24446 | 2 | |
| 4A | 25841 | 1 | 8/10/1200 |
| 4B | 26772 | 1 | 1400 |
| 5A | 25904 | 1 | 8/10/1200 |
| 5B | 25506 | 1 | 1400 |
| 6A | 25903 | 1 | 8/10/1200 |
| 6B | 25507 | 1 | 1400 |
| 9A | 12121 | 1 | 8/10/1200 |
| 9B | 12364 | 1 | 1400 |
| 10A | 12264 | 1 | 800 |
| 10B | 12120 | 1 | 10/12/1400 |
| 11 | 12116 | 1 | |
| 12 | 65075 | 1 | |
| 13 | 12124 | 1 | |
| 14 | 90171 | 2 | |
| 15A | 79087 | 1 | 800 |
| 15B | 79085 | 1 | 10/1200 |
| 15C | 79088 | 1 | 1400 |
| 16 | 25937 | 1 | |
| 17 | 84705 | 4 | 6,3 x 13 |
| 18 | 80835 | 1 | M8 x 35 |
| 19 | 85108 | 23 | M8 |
| 20 | 86208 | 23 | M8 |
| 21 | 80821 | 21 | M8 x 20 |
| 22 | 81220 | 4 | M12 x 20 |
| 23 | 80831 | 2 | M8 x 30 |
| 24 | 85112 | 10 | M12 |
| 25 | 86212 | 6 | M12 |
| 26 | 81250 | 4 | M12 x 50 |
| 27 | 81690 | 1 | M16 x 90 |
| 28 | 85116 | 2 | M16 |
| 29 | 86216 | 2 | M16 |
| 30 | 81031 | 14 | M10 x 30 |

92125/4

Afbeelding 7A
Abbildung 7A
Picture 7A

: Frame achterlossend → 02
: Rahmen Entleerung Hinten → 02
: Frame rear discharge → 02



bestelnummer
ordernummer
Num. à commander
Bestellnummer

| | | | |
|----|-------|----|----------|
| 31 | 85010 | 14 | M10 |
| 32 | 90282 | 2 | |
| 33 | 65030 | 2 | |
| 34 | 90490 | 2 | |
| 35 | 11998 | 2 | |
| 37 | 25332 | 2 | |
| 38 | 81230 | 2 | M12 x 30 |
| 39 | 11981 | 1 | |
| 40 | 12110 | 1 | |
| 41 | 88239 | 4 | Ø 5 x 40 |
| 42 | 12064 | 1 | |

92125/4

Afbeelding 7B

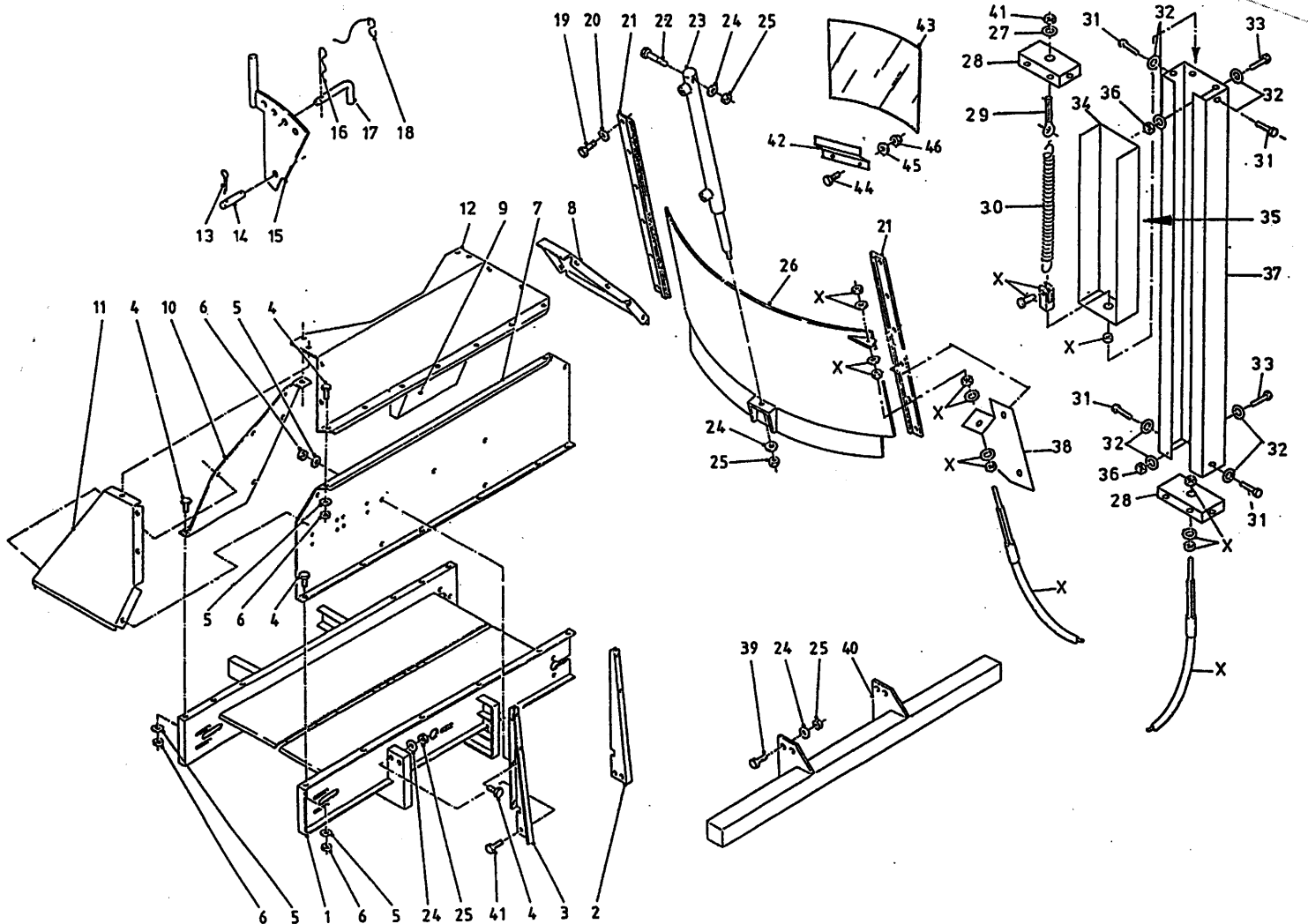
: Frame achterlossend I → 03

Abbildung 7B

: Rahmen Entleerung Hinten I → 03

Picture 7B

: Frame rear discharge I → 03



bestelnummer
 ordernummer
 Num. à commander
 Bestellnummer

| | | | |
|-----|-------|----|---------------|
| 1A | 12455 | 1 | 8/10/1200 |
| 1B | 12820 | 1 | 1400 |
| 2 | 27038 | 1 | |
| 3 | 27039 | 1 | |
| 4 | 80816 | 35 | M8 x 16 |
| 5 | 86208 | 41 | M8 |
| 6 | 85108 | 41 | M8 |
| 7A | 27054 | 1 | 8/10/1200 |
| 7B | 40620 | 1 | 1400 |
| 8 | 40567 | 1 | |
| 9A | 40565 | | 8/10/1200 |
| 9B | 40621 | 1 | 1400 |
| 10A | 40566 | 1 | 8/10/1200 |
| 10B | 40622 | 1 | 1400 |
| 11 | 40568 | 1 | |
| 12A | 40564 | 1 | 8/10/1200 |
| 12B | 40623 | 1 | 1400 |
| 13 | 88239 | 2 | Ø5 x 40 |
| 14 | 25332 | 2 | |
| 15A | 12603 | 1 | |
| 15B | 11998 | 1 | |
| 16 | 65030 | 2 | |
| 17 | 90490 | 2 | |
| 18 | 90282 | 2 | |
| 19 | 81031 | 14 | M10 x 30 |
| 20 | 85010 | 14 | M10 |
| 21 | 24446 | 2 | |
| 22 | 81690 | 1 | M16 x 90 |
| 23A | 51154 | 1 | 800 |
| 23B | 51062 | 1 | 10/12/1400 |
| 24 | 85116 | 10 | M16 |
| 25 | 86216 | 14 | M16 |
| 26A | 12263 | 1 | 800 |
| 26B | 12122 | 1 | 1000 |
| 26 | 12278 | 1 | 1200 |
| 26 | 12367 | 1 | 1400 |
| 27 | 85010 | 1 | M10 |
| 28 | 27702 | 2 | |
| 29 | 84174 | 1 | M10 x 80 x 14 |

92125/4

Afbeelding 7B

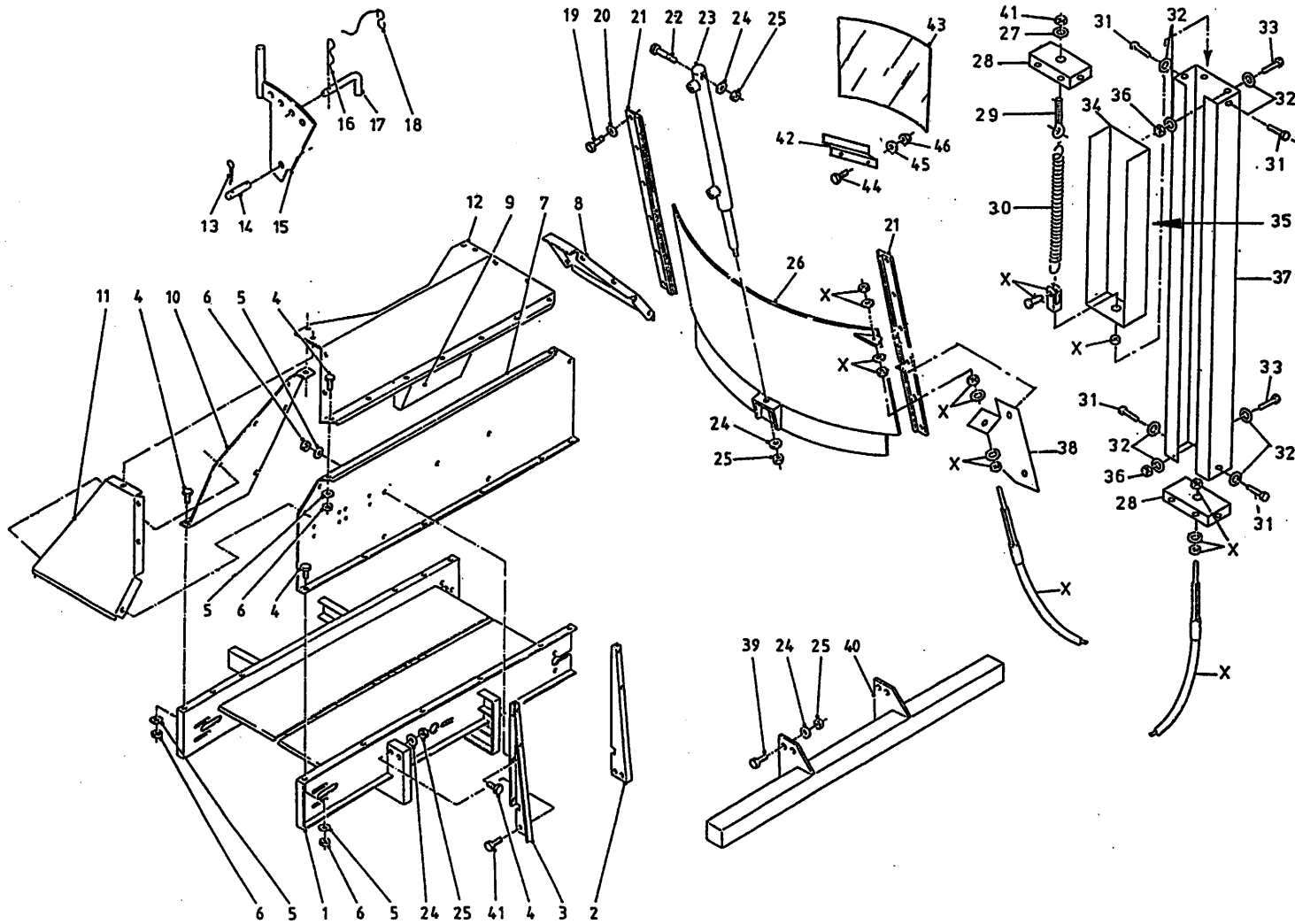
: Frame achterlossend I → 03

Abbildung 7B

: Rahmen Entleerung Hinten I → 03

Picture 7B

: Frame rear discharge I → 03



bestelnummer

ordernummer

Num. à commander

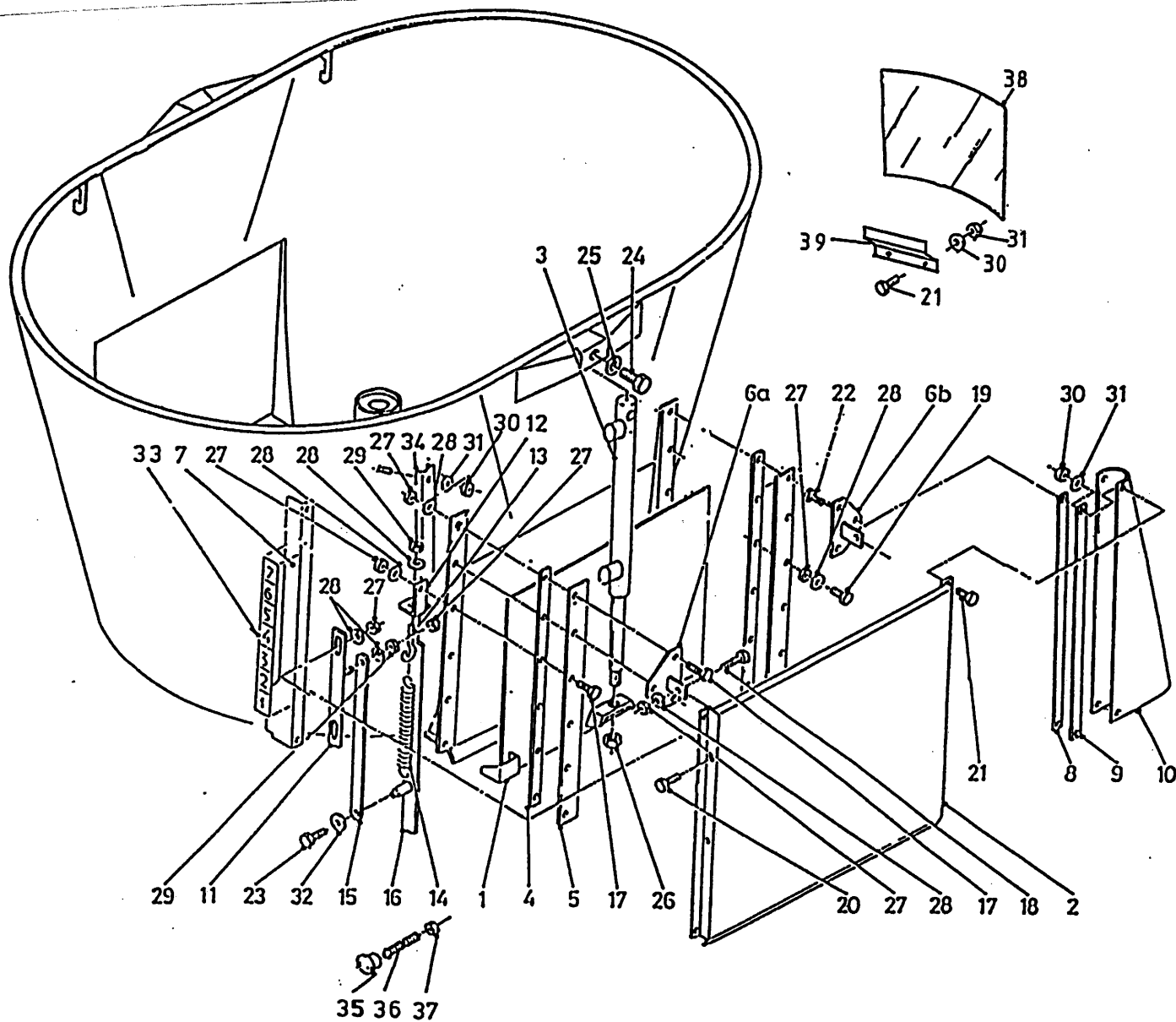
Bestellnummer

| | | | |
|-----|-------|---|-------------------|
| 30 | 65075 | 1 | |
| 31 | 80612 | 4 | M6 x 12 |
| 32 | 85106 | 6 | M6 |
| 33 | 80665 | 2 | M6 x 65 |
| 34A | 40596 | 1 | 800 |
| 34B | 12891 | 1 | 10/12/1400 |
| 35 | 91143 | 1 | |
| 36 | 86206 | 2 | M6 |
| 37A | 40595 | 1 | 800 |
| 37B | 40597 | 1 | 10/12/1400 |
| 38 | 27724 | 1 | |
| 39 | 81646 | 8 | M16 x 45 |
| 40A | 12475 | 1 | 8/10/1200 |
| 40B | 12833 | 1 | 1400 |
| 41 | 81636 | 4 | M16 x 35 |
| 42 | 40619 | 1 | |
| 43 | 60320 | 1 | |
| 44 | 80821 | 2 | M8 x 20 |
| 45 | 85108 | 2 | M8 |
| 46 | 86208 | 2 | M8 |
| X | 79094 | 1 | 800 L=3800 |
| X | 79093 | 1 | 10/12/1400 L=4250 |

92125/4

- Afbeelding 8 : Frame Solomix 8/10/1200 met zijkleppen
 Abbildung 8 : Rahmen Solomix 8/10/1200 mit Seitliche Entleerung
 Picture 8 : Frame Solomix 8/10/1200 side discharge

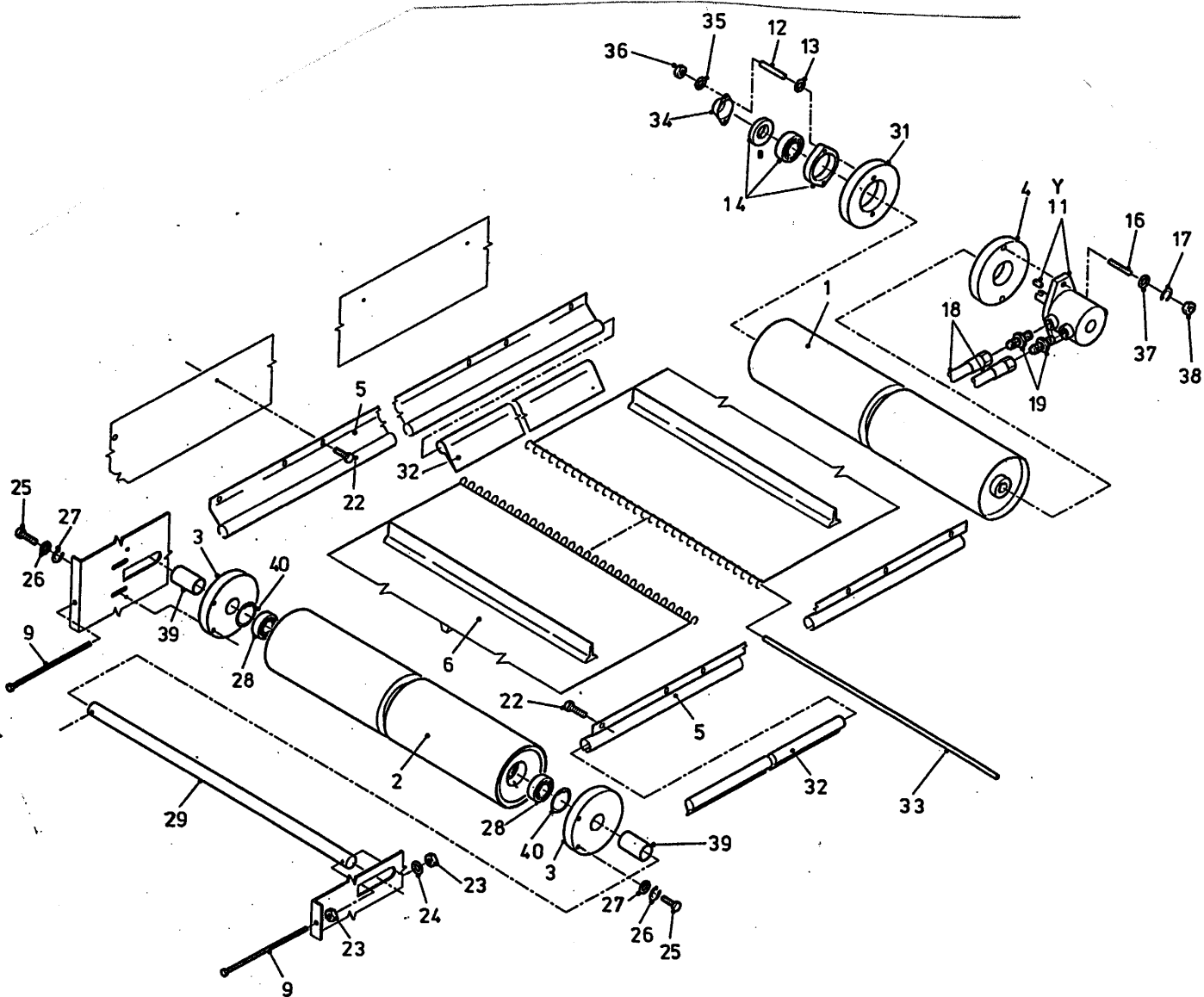
bestelnummer
 ordernummer
 Num. à commander
 Bestellnummer



| | | | |
|-----|-------|----|---------------|
| 1A | 12574 | 1 | Rechts |
| 1B | 12573 | 1 | Links |
| 2 | 12587 | 1 | |
| 3 | 51154 | 2 | |
| 4 | 26448 | 4 | |
| 5 | 26449 | 4 | |
| 6A | 12588 | 2 | |
| 6B | 12589 | 2 | |
| 7A | 40610 | 1 | Rechts |
| 7B | 40609 | 1 | Links |
| 8 | 27416 | 4 | |
| 9 | 27427 | 4 | |
| 10A | 60347 | 2 | |
| 10B | 60348 | 2 | |
| 11 | 12591 | 2 | |
| 12A | 27475 | 1 | Rechts |
| 12B | 27474 | 1 | Links |
| 13 | 84174 | 2 | M10 x 80 x 14 |
| 14 | 65021 | 2 | |
| 15 | 27473 | 2 | |
| 16 | 12604 | 2 | |
| 17 | 81060 | 10 | M10 x 60 |
| 18 | 81050 | 4 | M10 x 50 |
| 19 | 81045 | 14 | M10 x 45 |
| 20 | 81026 | 4 | M10 x 25 |
| 21 | 80821 | 6 | M8 x 20 |
| 22 | 81031 | 4 | M10 x 30 |
| 23 | 80812 | 2 | M8 x 12 |
| 24 | 81690 | 1 | M16 x 90 |
| 25 | 85116 | 2 | M16 |
| 26 | 86216 | 1 | M16 |
| 27 | 86210 | 36 | M10 |
| 28 | 85010 | 40 | M10 |
| 29 | 86110 | 4 | M10 |
| 30 | 86208 | 9 | M8 |
| 31 | 85108 | 9 | M8 |
| 32 | 85109 | 2 | M8 |
| 33 | 91143 | 2 | |
| 34 | 40573 | 2 | |
| 35 | 84947 | 2 | M6 x 100 |
| 36 | 60368 | 2 | |
| 37 | 86106 | 2 | M6 |
| 38 | 60320 | 1 | |
| 39 | 40619 | 1 | |

92125/4

Afbeelding 9A : Dwarsband voorlossend (en achterlossend → 02)
 Abbildung 9A : Querförderband Entleerung vorne (und hinten → 02)
 Picture 9A : Side conveyor front discharge (and rear discharge → 02)

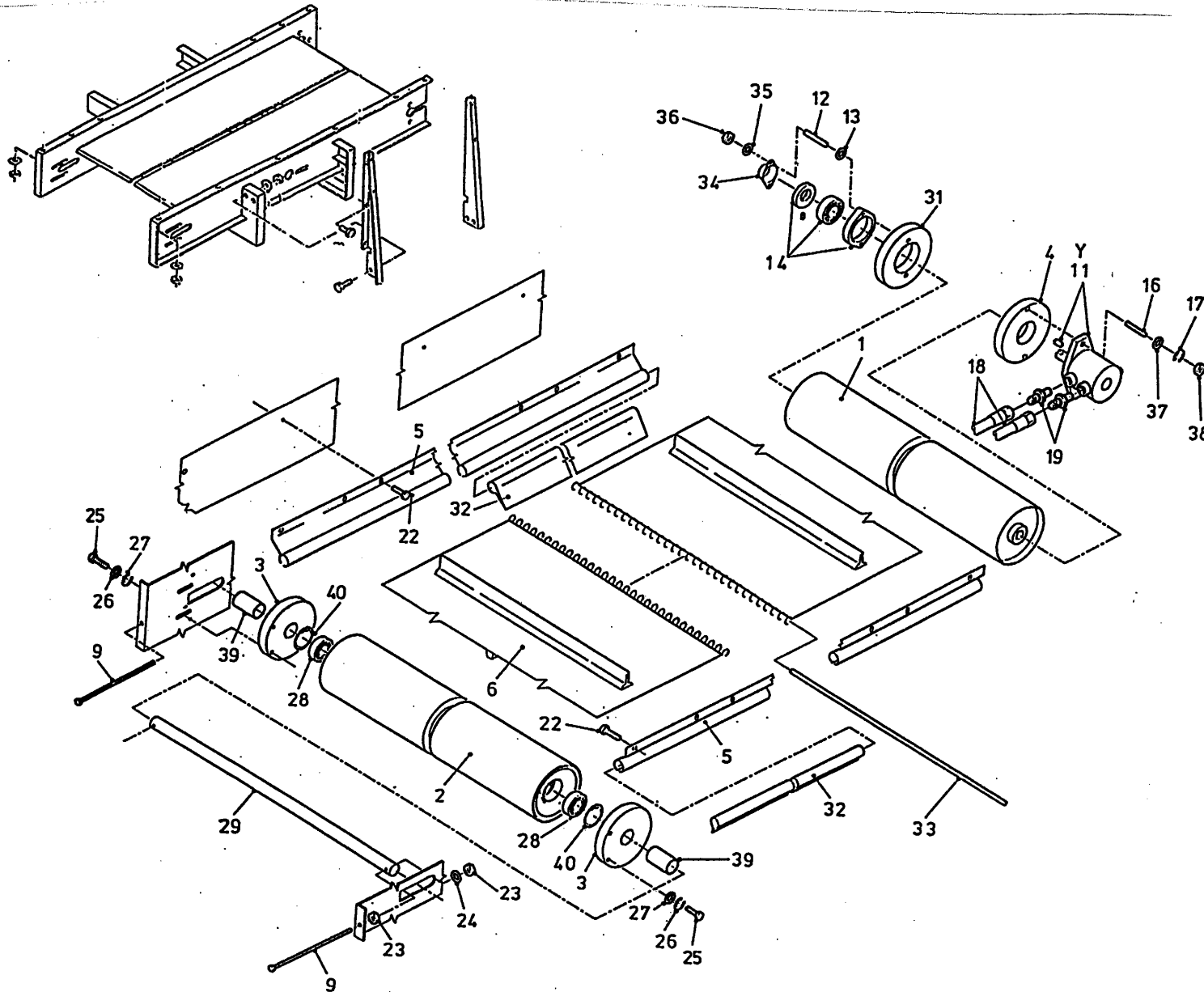


bestelnummer
 ordernummer
 Num. à commander
 Bestellnummer

| | | | |
|-----|--------|----|----------------------|
| 1 | 11940 | 1 | |
| 2 | 11979 | 1 | |
| 3 | 60290 | 2 | |
| 4 | 31709 | 1 | |
| 5A | 90274 | 2 | L=2280 |
| 5B | 90535 | 2 | L=2460 |
| 5C | 90745 | 2 | L=1980 |
| 6A | 60294 | 1 | 8/10/1200 12m³L=4570 |
| 6B | 60297 | 1 | 1400 L=4925 |
| 9 | 81223 | 2 | M12 x 180 |
| 11A | 51109 | 1 | White 160cc→01 |
| 11B | 51080 | 1 | Danfoss160cc→01 |
| 11C | 51083 | 1 | White 127cc→02 |
| 11D | 51129 | 1 | Sam 128cc→02 |
| 12 | 84176 | 2 | M8 x 60 |
| 13 | 86108 | 2 | M8 |
| 14 | 70084 | 1 | |
| 16 | 84108 | 2 | M12 x 60 |
| 17 | 85112 | 2 | M12 |
| 18 | W50601 | 2 | ½" 1800 RH |
| 19 | X50117 | 2 | |
| 22 | 84717 | 22 | M6 x 12 |
| 23 | 86212 | 2 | M12 |
| 24 | 85012 | 2 | M12 |
| 25 | 81031 | 4 | M10 x 30 |
| 26 | 85010 | 4 | M10 |
| 27 | 85113 | 4 | M10 |
| 28 | 70010 | 2 | |
| 29 | 25200 | 1 | |
| 31 | 32190 | 1 | |
| 32A | 60216 | 2 | 8/10/1200 L=2280 |
| 32B | 60296 | 2 | 1400 L=2440 |
| 33 | 25422 | 1 | |
| 34 | 23304 | 1 | |
| 35 | 85008 | 2 | M8 |
| 36 | 86208 | 2 | M8 |
| 37 | 85012 | 2 | M12 |
| 38 | 86212 | 2 | M12 |
| 39 | 25207 | 2 | L=53 |
| 40 | 87162 | 2 | |
| Y | 05356 | 1 | White |
| Y | 05169 | 1 | Danfoss |
| Y | 05358 | 1 | Sam |

92125/4

Afbeelding 9B : Dwarsband achterlossend I → 03
 Abbildung 9B : Querförderband Entleerung Hinten I → 03
 Picture 9B : Side conveyor rear discharge I → 03



bestelnummer
 ordernummer
 Num. à commander
 Bestellnummer

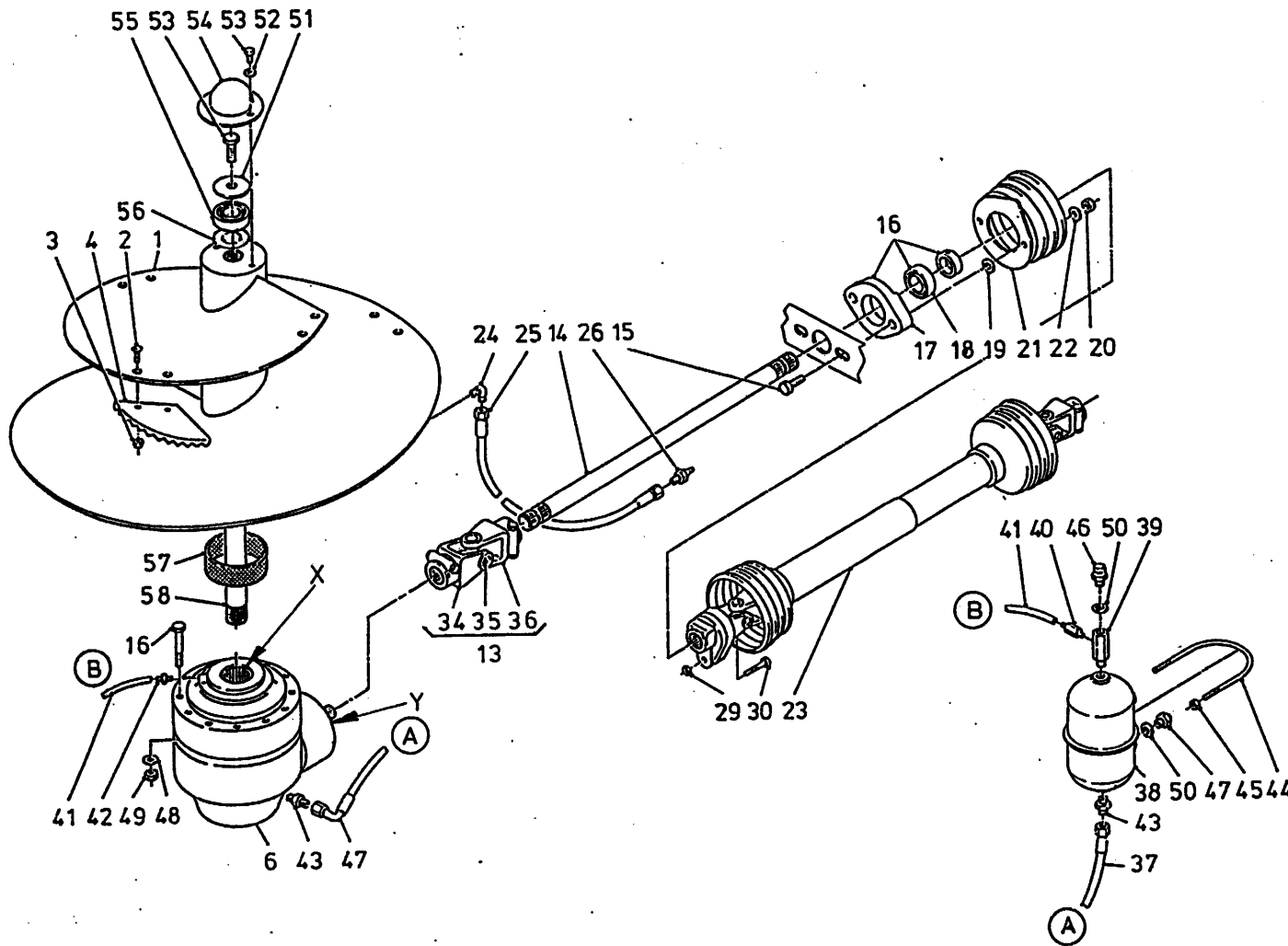
| | | | |
|-----|--------|----|-----------------|
| 1 | 11940 | 1 | |
| 2 | 11979 | 1 | |
| 3 | 60290 | 2 | |
| 4 | 31709 | 1 | |
| 5A | 90745 | 2 | 8/10/1200 |
| 5B | 90274 | 2 | 1400 |
| 6A | 60334 | 1 | 8/10/1200 |
| 6B | 60294 | 1 | 1400 |
| 9 | 81223 | 2 | M12 x 180 |
| 11A | 51129 | 1 | SAM 128 cc |
| 11B | 51130 | 1 | OMP 125 cc |
| 11C | 51083 | 1 | White 127 cc |
| 12 | 84176 | 2 | M8 x 60 |
| 13 | 86108 | 2 | M8 |
| 14 | 70084 | 1 | |
| 16 | 84108 | 2 | M12 x 60 |
| 17 | 85112 | 2 | M12 |
| 18A | W50846 | 2 | ½" 3250 RH |
| 18B | W50668 | 2 | ½" 4000 RH 1400 |
| 19 | X50117 | 2 | |
| 22 | 84717 | 22 | M6 x 12 |
| 23 | 86212 | 4 | M12 |
| 24 | 85012 | 2 | M12 |
| 25 | 81031 | 4 | M10 x 30 |
| 26 | 85010 | 4 | M10 |
| 27 | 85113 | 4 | M10 |
| 28 | 70010 | 2 | |
| 29 | 25200 | 1 | |
| 31 | 32190 | 1 | |
| 32A | 60333 | 2 | 8/10/1200 |
| 32B | 60216 | 2 | 1400 |
| 33 | 25422 | 1 | |
| 34 | 23304 | 1 | |
| 35 | 85008 | 2 | M8 |
| 36 | 86208 | 2 | M8 |
| 37 | 85012 | 2 | M12 |
| 38 | 86212 | 2 | M12 |
| 39 | 25207 | 2 | L=53 |
| 40 | 87162 | 2 | |
| Y | 05356 | 1 | White |
| Y | 05169 | 1 | Danfoss |
| Y | 05358 | 1 | Sam |

92125/4

Afbeelding 10A : Aandrijving en Mengvijzel 800 |→ 03

Abbildung 10A : Schnecke und Antrieb 800 |→ 03

Picture 10A : Auger and drive system 800 |→ 03



bestelnummer
ordernummer
Num. à commander
Bestellnummer

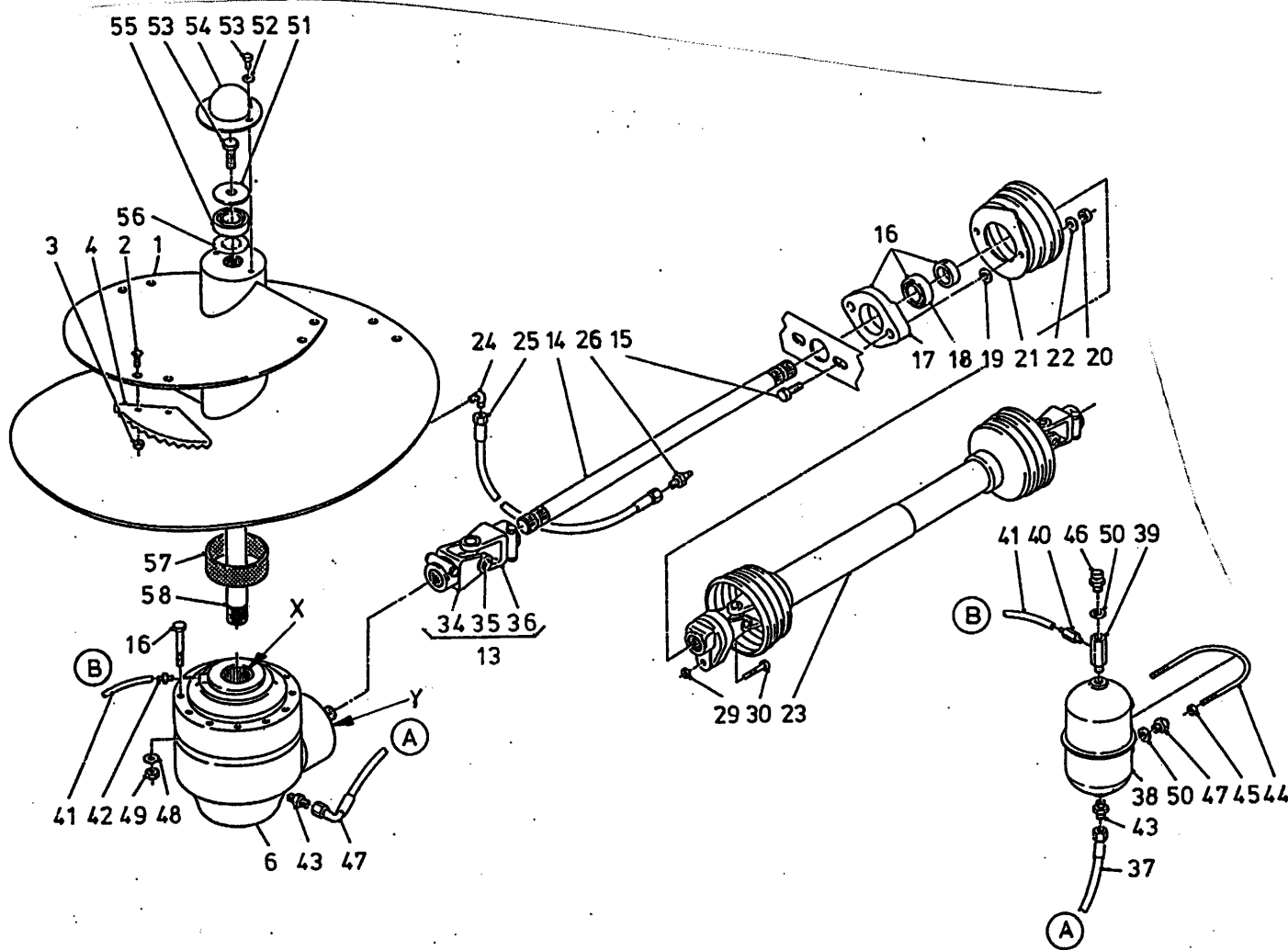
| | | | |
|-----|--------|----|--------------------|
| 1 | 12354 | 1 | |
| 2 | 84121 | 10 | M16 x 45 |
| 3 | 86216 | 10 | M16 |
| 4 | 31841 | 5 | L=350 |
| 6 | 90650 | 1 | 1 1/2 - 20 |
| 8 | 81414 | 12 | M14 x 140 |
| 12 | 88371 | 1 | 14 x 9 x 70 → 101 |
| 13 | 90798 | 1 | 1 3/8-6 - 1 3/8-20 |
| 14A | 31760 | 1 | L=1390 VL |
| 14B | 31793 | 1 | L=900 AL/ ZK |
| 15 | 81070 | 2 | M10 x 70 |
| 16 | 70059 | 1 | |
| 17 | 70089 | 1 | |
| 18 | 70090 | 1 | |
| 19 | 85113 | 4 | M10 |
| 20 | 86110 | 4 | M10 |
| 21 | 90499 | 1 | |
| 22 | 85010 | 2 | M10 |
| 23A | 90795 | 1 | L=1210 |
| 23B | 90794 | 1 | L=1610 |
| 24 | 50107 | 1 | |
| 25 | 50957 | 1 | 1/4 1520 |
| 26 | 89519 | 1 | |
| 29 | 86208 | 1 | M8 |
| 30 | 80860 | 1 | M8 x 60 |
| 34 | 90801 | 1 | 1 1/4" - 20 |
| 35 | 90729 | 1 | |
| 36 | 90730 | 1 | 1 3/8"-6 |
| 37 | W50665 | 1 | 3/8" 1850 RH |
| 38 | 90443 | 1 | |
| 39 | 50176 | 1 | |
| 40 | 50200 | 1 | |
| 41 | 50950 | 1 | |
| 42 | 50199 | 1 | |
| 43 | X50112 | 2 | |

92125/4

Afbeelding 10A : Aandrijving en Mengvijzel 800 |→ 03

Abbildung 10A : Schnecke und Antrieb 800 |→ 03

Picture 10A : Auger and drive system 800 |→ 03

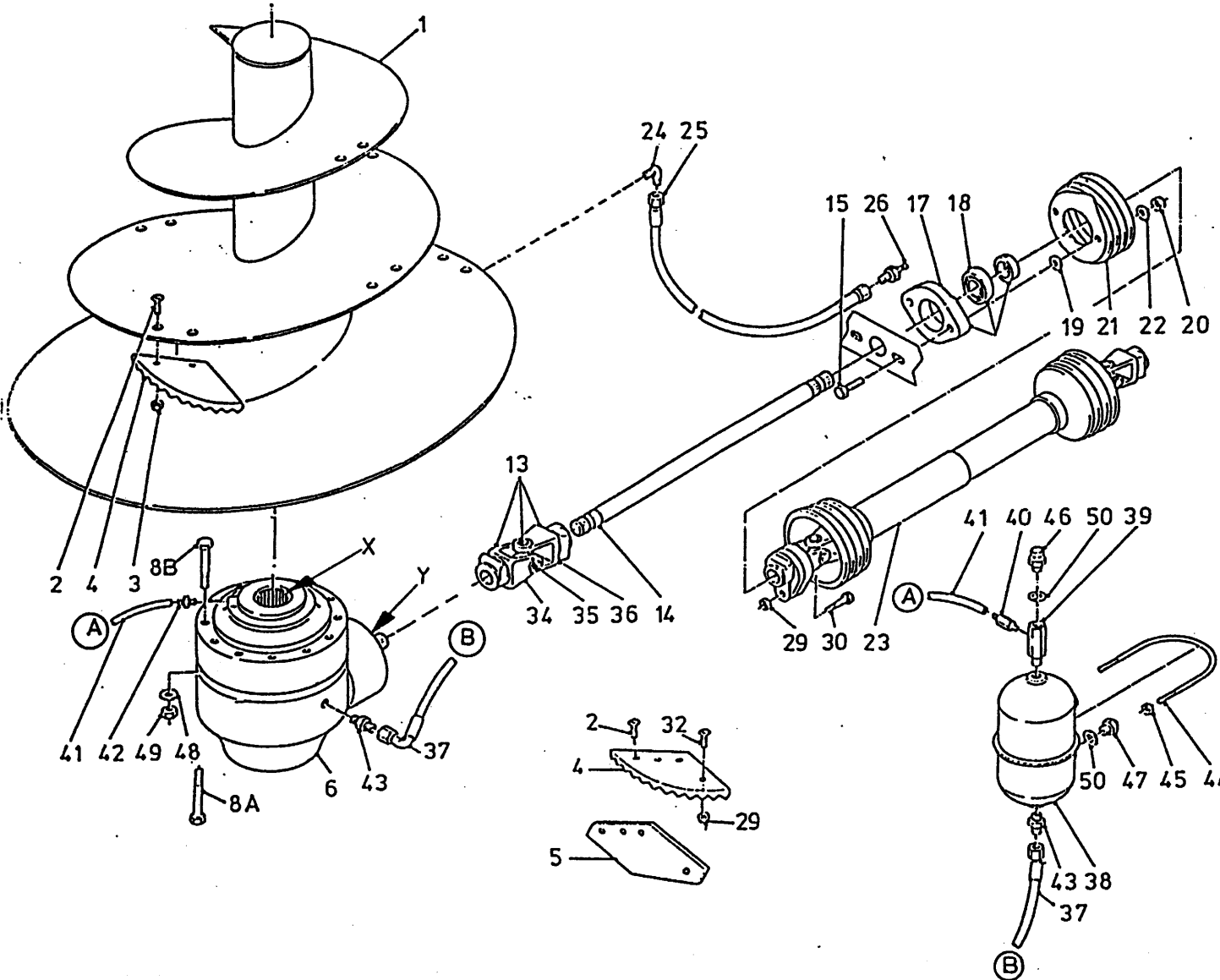


bestelnummer
ordernummer
Num. à commander
Bestellnummer

| | | | |
|----|-------|----|----------|
| 44 | 84191 | 1 | |
| 45 | 86206 | 2 | M6 |
| 46 | 90567 | 1 | |
| 47 | 90566 | 2 | |
| 48 | 85114 | 12 | M14 |
| 49 | 86214 | 12 | M14 |
| 50 | 85215 | 3 | |
| 51 | 26873 | 1 | |
| 52 | 85116 | 2 | M16 |
| 53 | 81626 | 3 | M16 x 25 |
| 54 | 26871 | 1 | |
| 55 | 70143 | 1 | |
| 56 | 70145 | 1 | |
| 57 | 51867 | 1 | |
| 58 | 31832 | 1 | L=880 |
| X | 05443 | 1 | |
| Y | 05444 | 1 | |

92125/4

Afbeelding 10B : Aandrijving en Mengvijzel 800 → 02 / 10/1200 → 03
 Abbildung 10B : Schnecke und Antrieb 800 → 02 / 10/1200 → 03
 Picture 10B : Auger and drive system 800 → 02 / 10/1200 → 03

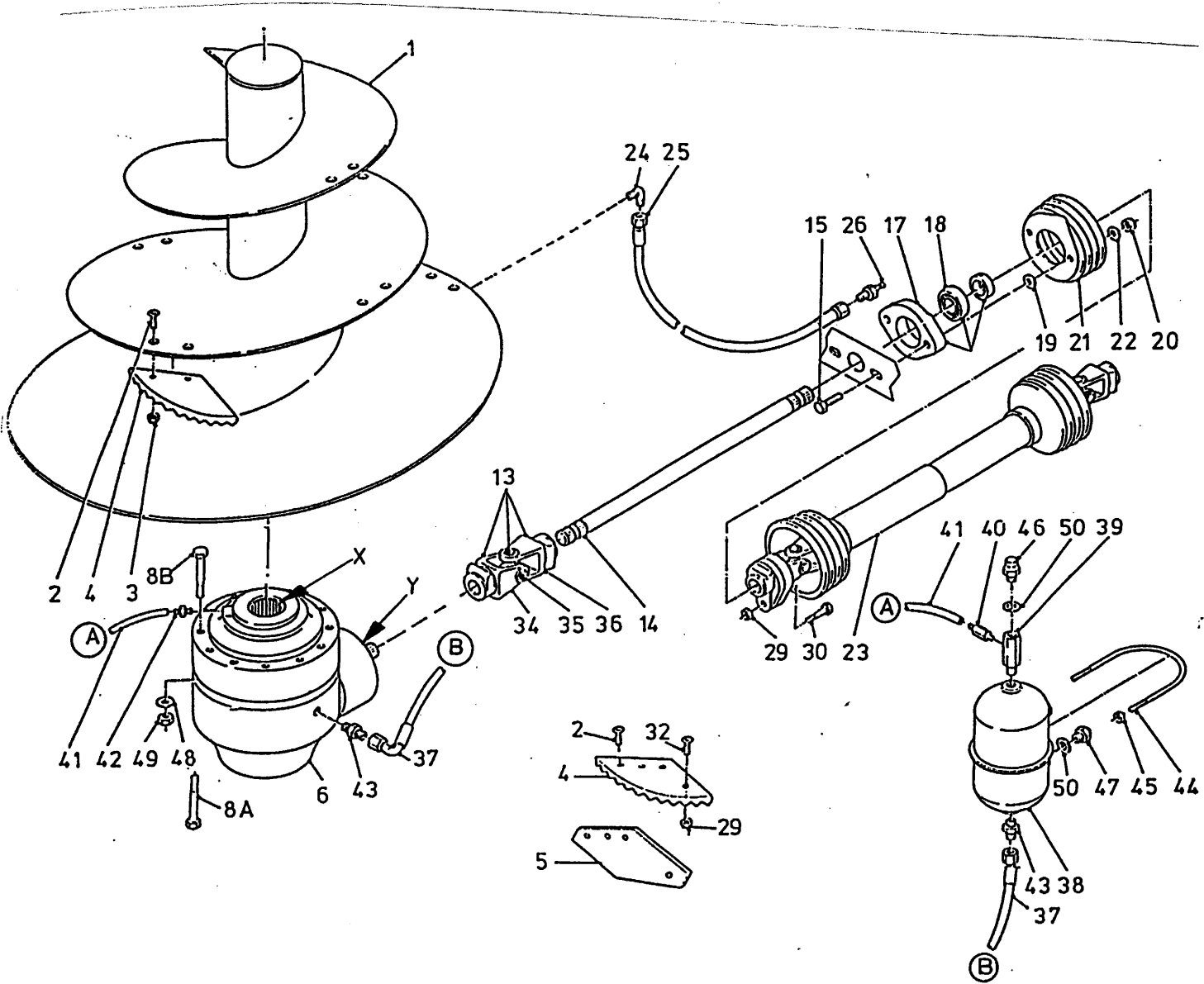


| bestelnummer | | ordernummer | |
|------------------|-------|---------------|------------------------------|
| Num. à commander | | Bestellnummer | |
| 1A | 12069 | 1 | 800→02/ 1000 |
| 1B | 12099 | 1 | 1200 |
| 2A | 84120 | | M16x50 → 02 |
| 2B | 84121 | | M16 x 45 → 03 |
| 3 | 86216 | | M16 |
| 4A | 31639 | | L=550 → 01 |
| 4B | 31841 | | L=350 → 03 |
| 5 | 31640 | | → 02 |
| 6A | 90516 | 1 | 8/1000 RR → 01 |
| 6B | 90574 | 1 | 8/10/1200 BRE → 01 |
| 6C | 90546 | 1 | 8/10/1200 SOM → 01 |
| 6D | 90650 | 1 | 8/10/1200 BRE → 02 |
| 8A | 84483 | 12 | M14x120 RR |
| 8B | 81414 | 12 | M14x140 BR |
| 8C | 81418 | 12 | M14 x 180 SOM |
| 12 | 88371 | 1 | 14x9x70 |
| 13A | 90438 | 1 | 1 1/8"-6 - Ø48 → 01 |
| 13B | 90497 | 1 | 1 1/8"-6 - 1 1/8"-6 → 01 |
| 13C | 90545 | 1 | 1 1/8"-6 - 1 1/4" - 20 W2500 |
| 13D | 90798 | 1 | 1 1/8"-6 - 1 1/4" - 20 W2400 |
| 14A | 31760 | 1 | L=1390 SOM/BRE VL |
| 14B | 31743 | 1 | L=1420 RR VL |
| 14C | 31793 | 1 | L=900 ZK / AL |
| 15 | 81070 | 2 | M10x70 |
| 16 | 70059 | 1 | |
| 17 | 70089 | 1 | |
| 18 | 70090 | 1 | |
| 19 | 85113 | 4 | M10 |
| 20 | 86110 | 4 | M10 |
| 21 | 90499 | 1 | |
| 22 | 85010 | 2 | M10 |
| 23A | 90495 | 1 | 8/1000 → 02/ 1200 |
| 23B | 90795 | 1 | 8/1000 → 03 L=1210 |
| 23C | 90794 | 1 | 8/1000 → 03 L=1610 |
| 24 | 50107 | 1 | |
| 25 | 50957 | 1 | 1/2" 1520 RR |
| 26 | 89518 | 1 | |
| 29 | 86208 | 1 | M8 |
| 30 | 80860 | 1 | M8x60 8,8 |

6 splines
21 splines

92125/4

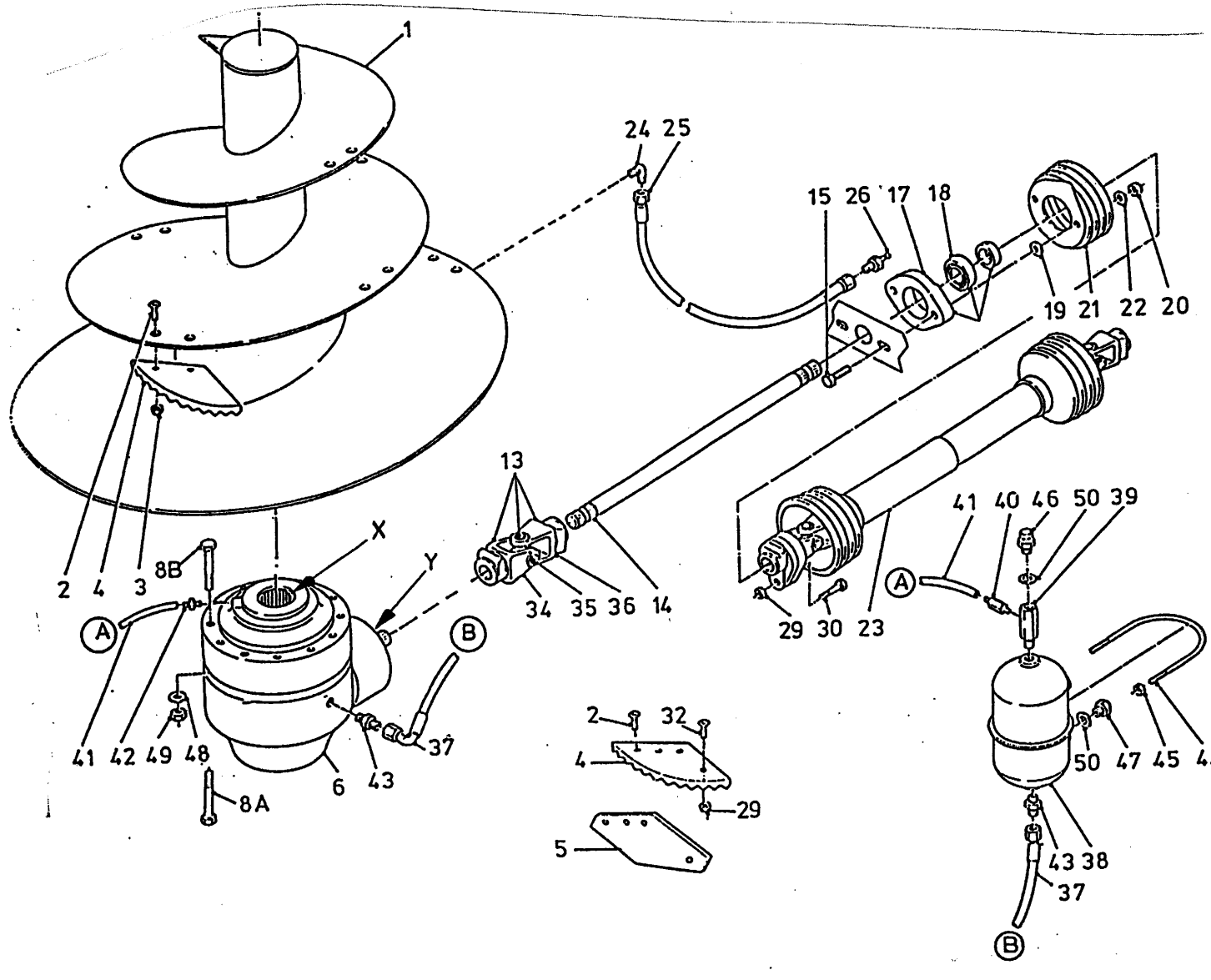
Afbeelding 10B : Aandrijving en Mengvijzel 800 → 02 / 10/1200 → 03
 Abbildung 10B : Schnecke und Antrieb 800 → 02 / 10/1200 → 03
 Picture 10B : Auger and drive system 800 → 02 / 10/1200 → 03



| bestelnummer | | | |
|------------------|--------|----|-------------------------------|
| ordernummer | | | |
| Num. à commander | | | |
| Bestellnummer | | | |
| 32 | 84101 | 5 | M8x20 |
| 33 | 86208 | 5 | M8 |
| 34A | 90575 | 1 | Ø48 W2500 |
| 34B | 90365 | 1 | 1 1/8" - 6 W2500 |
| 34C | 90562 | 1 | 1 1/4" - 20 W2500 |
| 34D | 90801 | 1 | 1 1/2" - 20 W2400 8/1000 → 03 |
| 35A | 90561 | 1 | W2500 |
| 35B | 90729 | 1 | W2400 |
| 36A | 90563 | 1 | 1 1/8" - 6 W2500 |
| 36B | 90730 | 1 | 1 1/8" - 6 W2400 |
| 37 | W50665 | 1 | 3/8" 1850 RH |
| 38 | 90443 | 1 | |
| 39 | 50176 | 1 | |
| 40 | 50200 | 1 | |
| 41 | 50950 | 1 | |
| 42A | 50178 | 1 | |
| 42B | 50181 | 1 | |
| 42C | 50196 | 1 | |
| 43 | X50112 | 2 | |
| 44 | 84191 | 1 | |
| 45 | 86206 | 2 | M6 |
| 46 | 90567 | 1 | |
| 47 | 90566 | 2 | |
| 48 | 85114 | 12 | M14 |
| 49 | 86214 | 12 | M14 |
| 50 | 85215 | 3 | |
| X | 05443 | 1 | BRE |
| X | 70156 | 1 | SOM |
| X | 70160 | 1 | RR |
| Y | 05444 | 1 | BRE |
| Y | 70174 | 1 | SOM |
| Y | 70163 | 1 | RR |

92125/4

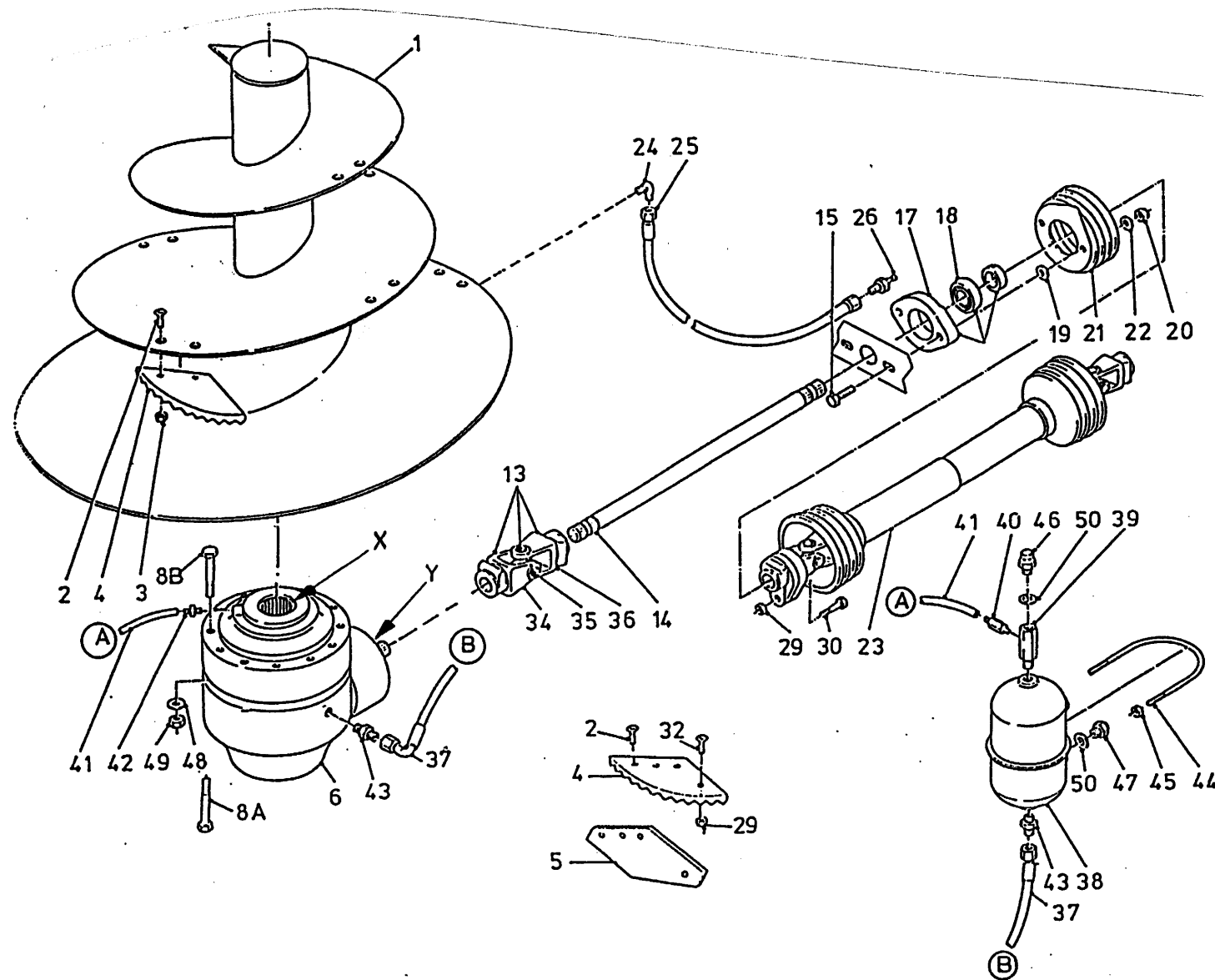
Afbeelding 10C : Aandrijving en Mengvijzel 1400 → I 03
 Abbildung 10C : Schnecke und Antrieb 1400 → I 03
 Picture 10C : Auger and drive system 1400 → I 03



| bestelnummer | | ordernummer | |
|------------------|--------|---------------|--------------------------|
| Num. à commander | | Bestellnummer | |
| 1 | 12104 | 1 | |
| 2A | 84120 | 27 | M16 x 50 → I 01 |
| 2B | 84121 | 27 | M16 x 45 I → 02 |
| 3 | 86216 | 27 | M16 |
| 4A | 31639 | 9 | → I 01 |
| 4B | 31841 | 9 | I → 02 |
| 5 | 31640 | 9 | → I 01 |
| 6A | 90530 | 1 | BR Ø45 |
| 6B | 90651 | 1 | BR 1 1/4-20 |
| 8 | 84485 | 12 | M16 x 140 |
| 13A | 90537 | 1 | Ø45 - 1 1/4-6 W2500 |
| 13B | 90683 | 1 | 1 1/4-20 - 1 1/4-6 W2500 |
| 14 | 31761 | 1 | L=1520 |
| 15 | 81270 | 2 | M12x70 |
| 16 | 70133 | 1 | |
| 17 | 70135 | 1 | |
| 18 | 70134 | 1 | |
| 19 | 85119 | 2 | M12 |
| 20 | 86112 | 2 | M12 |
| 21 | 90499 | 1 | |
| 22 | 85012 | 2 | M12 |
| 23 | 90496 | 1 | WWE 2580 |
| 24 | 50107 | 1 | |
| 25 | 50957 | 1 | 1/2" 1520 RR |
| 26 | 89518 | 1 | |
| 29 | 86210 | 1 | M10 |
| 30 | 81060 | 1 | M10 x 60 8.8 |
| 32 | 84101 | 9 | M8x20 |
| 34A | 90605 | 1 | Ø 45/14 |
| 34B | 90562 | 1 | 1 1/4"-20 |
| 35 | 90561 | 1 | |
| 36 | 90608 | 1 | 1 1/4-6 |
| 37 | W50665 | 1 | 3/8" 1850 RH |
| 38 | 90443 | 1 | |
| 39 | 50176 | 1 | |
| 40 | 50200 | 1 | |

92125/4

Afbeelding 10C : Aandrijving en Mengvijzel 1400 → 03
 Abbildung 10C : Schnecke und Antrieb 1400 → 03
 Picture 10C : Auger and drive system 1400 → 03



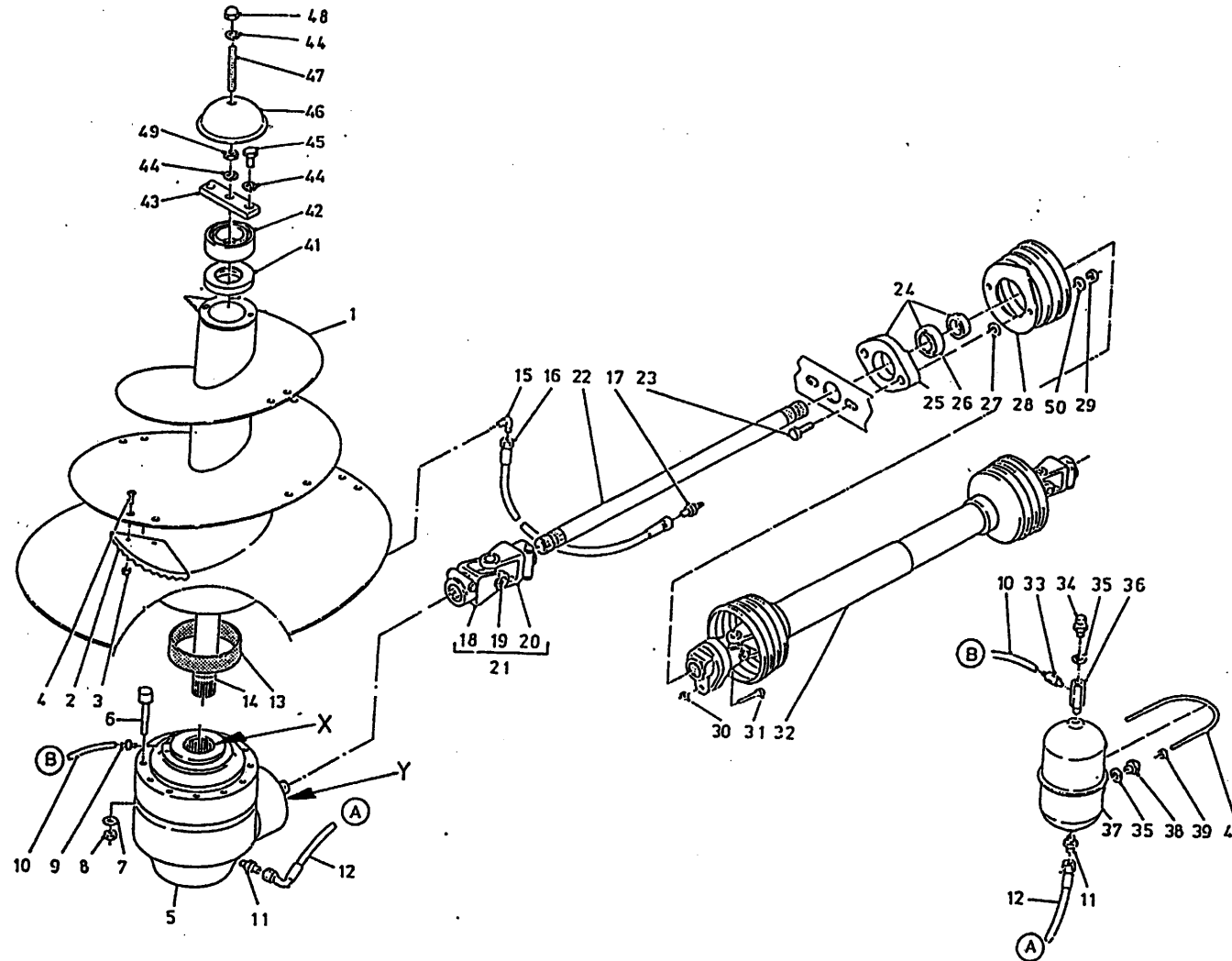
bestelnummer
 ordernummer
 Num. à commander
 Bestellnummer

| | | |
|-----|--------|---|
| 41 | 50950 | 1 |
| 42A | 50199 | 1 |
| 42B | 50181 | 1 |
| 43 | X50112 | 2 |
| 44 | 84191 | 1 |
| 45 | 86206 | 2 |
| 46 | 90567 | 1 |
| 47 | 90566 | 2 |
| 50 | 85215 | 3 |
| X | 05445 | 1 |
| Y | 05444 | 1 |

92125/4

Afbeelding 10D : Aandrijving en Mengvijzel 8/10/12/1400 ↳ 04
 Abbildung 10D : Schnecke und Antrieb 8/10/12/1400 ↳ 04
 Picture 10D : Auger and drive system 8/10/12/1400 ↳ 04

bestelnummer
 ordernummer
 Num. à commander
 Bestellnummer



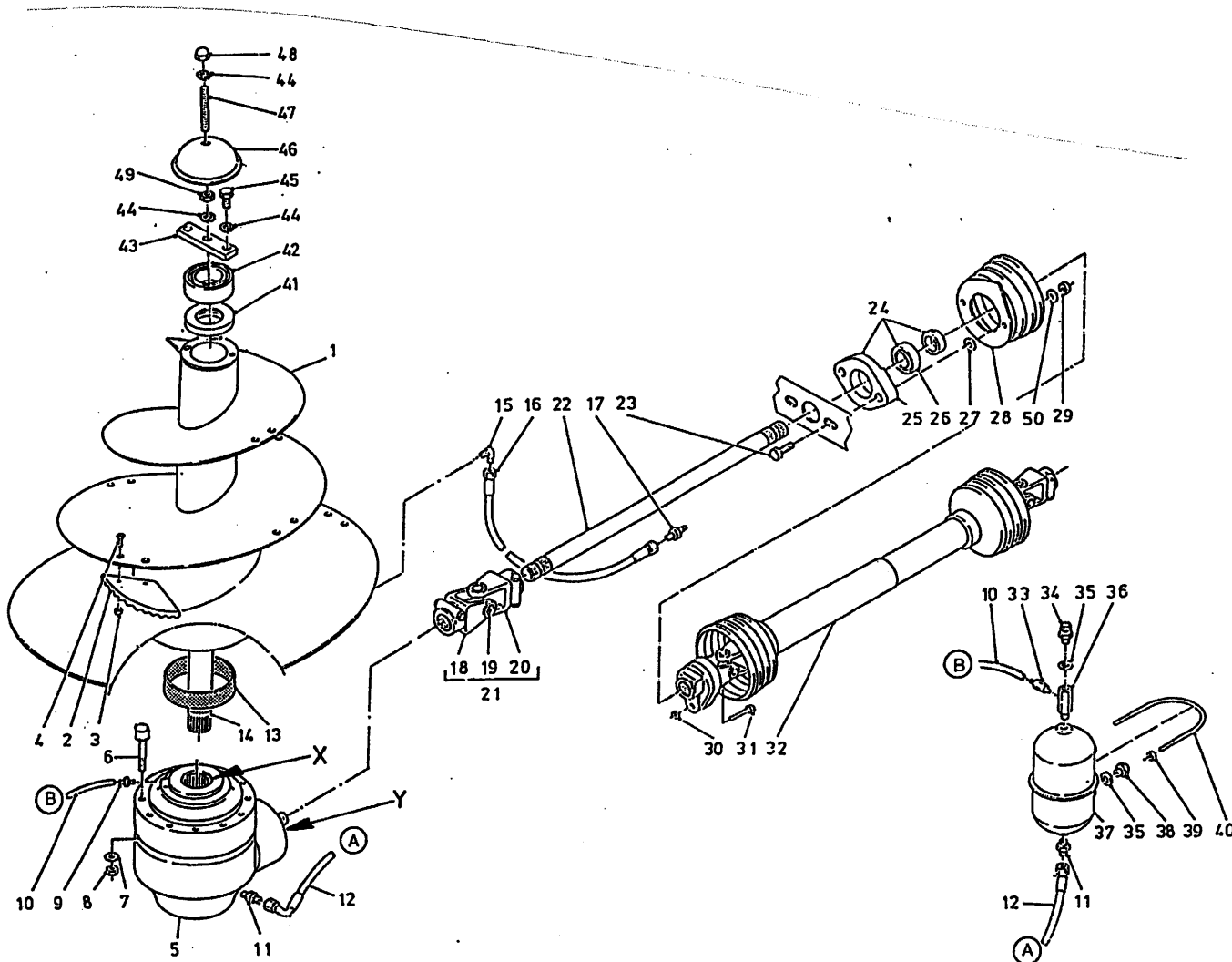
| | | | |
|-----|--------|-------|-----------------------|
| 1A | 12534 | 1 | 800 |
| 1B | 12702 | 1 | 1000 ↳ 04 |
| 1C | 12823 | 1 | 1000 ↳ 05 |
| 1D | 12827 | 1 | 1200 |
| 1E | 12832 | 1 | 1400 |
| 2 | 31841 | 5/9 | |
| 3 | 86216 | 10/18 | M16 |
| 4 | 84121 | 10/18 | M16 x 45 |
| 5A | 90650 | 1 | 8/10/1200 |
| 5B | 90651 | 1 | 1400 |
| 6A | 84487 | 12 | M14 x 140 |
| 6B | 84485 | 13 | M16 x 140 |
| 7A | 85114 | 12 | M14 |
| 7B | 85116 | 13 | M16 |
| 8A | 86214 | 12 | M14 |
| 8B | 86216 | 13 | M16 |
| 9 | 50199 | 1 | |
| 10 | 50950 | 1 | |
| 11 | X50112 | 1 | |
| 12A | W50665 | 1 | ¾" 1850 RR 8/10/1200 |
| 12B | W50621 | 1 | ¾" 2300 RH 1400 |
| 13 | 51867 | 1 | |
| 14A | 31832 | 1 | 800 L=880 |
| 14B | 32026 | 1 | 1000 L=1071 ↳ 04 |
| 14C | 32198 | 1 | 1000 L=1135 ↳ 05 |
| 14D | 32201 | 1 | 1200 L=1355 |
| 14E | 32206 | 1 | 1400 L=1360 |
| 15 | 50107 | 1 | |
| 16 | 50957 | 1 | ½" 1520 RR |
| 17 | 89518 | 1 | |
| 18A | 90801 | 1 | 1½"-20 W2400 |
| 18B | 90562 | 1 | 1½"-20 W2500 |
| 19A | 90729 | 1 | W2400 |
| 19B | 90561 | 1 | W2500 |
| 20A | 90730 | 1 | 1½" - 6 W2400 |
| 20B | 90563 | 1 | 1½" - 6 W2500 |
| 20C | 90608 | 1 | 1½" - 6 W2500 |
| 21A | 90798 | 1 | 1½"-20-1½"- 6 W2400 |
| 21B | 90545 | 1 | 1½"-20-1½"- 6 W2500 |
| 21C | 90802 | 1 | 1½"-20-1½"- 6 W2500 |
| 22A | 31760 | 1 | 8/10/1200 VL L=1390 |
| 22B | 31793 | 1 | 8/10/1200 AL/ZK L=900 |
| 22C | 31936 | 1 | 1400 AL/ZK L=1000 |
| 22D | 31761 | 1 | 1400 VL L=1540 |
| 23A | 81070 | 2 | M10x70 8/10/1200 |

92125/4

Afbeelding 10D : Aandrijving en Mengvijzel 8/10/12/1400 ↳ 04

Abbildung 10D : Schnecke und Antrieb 8/10/12/1400 ↳ 04

Picture 10D : Auger and drive system 8/10/12/1400 ↳ 04



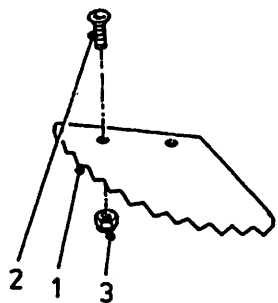
bestelnummer
ordernummer
Num. à commander
Bestellnummer

| | | | |
|-----|-------|---|---------------------------|
| 23B | 81270 | 2 | M12x70 1400 |
| 24A | 70059 | 1 | 8/10/1200 |
| 24B | 70133 | 1 | 1400 |
| 25A | 70089 | 1 | 8/10/1200 |
| 25B | 70135 | 1 | 1400 |
| 26A | 70090 | 1 | 8/10/1200 |
| 26B | 70134 | 1 | 1400 |
| 27A | 85113 | 2 | 8/10/1200 |
| 27B | 85119 | 2 | 1400 |
| 28 | 90499 | 1 | |
| 29A | 86210 | 2 | M10 8/10/1200 |
| 29B | 86212 | 2 | M12 1400 |
| 30A | 86208 | 1 | M8 8/10/1200 |
| 30B | 86210 | 1 | M10 1400 |
| 31A | 80860 | 1 | M8x60 8.8 8/10/1200 |
| 31B | 81060 | 1 | M10x60 8.8 1400 |
| 32A | 90795 | 1 | 8/1000 VL L=1210 W2400 |
| 32B | 90794 | 1 | 8/1000 ZK/AL L=1610 W2400 |
| 32C | 90495 | 1 | 1200 VL L=1210 W2400 |
| 32D | 90496 | 1 | 1400 VL L=1210 W2500 |
| 32E | 90881 | 1 | 1200 ZK/AL L=1610 W2400 |
| 32F | 90882 | 1 | 1400 AL L=1610 W2500 |
| 33 | 50200 | 1 | |
| 34 | 90567 | 1 | |
| 35 | 85215 | 3 | |
| 36 | 50176 | 1 | |
| 37 | 90443 | 1 | |
| 38 | 90566 | 2 | |
| 39 | 86206 | 2 | M6 |
| 40 | 84191 | 1 | |
| 41A | 70145 | 1 | 8/10/1200 |
| 41B | 70163 | 1 | 1400 |
| 42A | 70143 | 1 | 8/10/1200 |
| 42B | 70162 | 1 | 1400 |
| 43 | 27937 | 1 | |
| 44 | 85016 | 3 | M16 |
| 45 | 81626 | 2 | M16 x 25 |
| 46 | 27690 | 1 | |
| 47 | 84001 | 1 | M16 x 140 |
| 48 | 86937 | 1 | M16 |
| 49 | 86116 | 1 | M16 |
| 50A | 85010 | 2 | M10 8/10/1200 |
| 50B | 85012 | 2 | M12 1400 |
| X | 05443 | 1 | 8/10/1200 |
| X | 05445 | 1 | 1400 |
| Y | 05444 | 1 | 8/10/12/1400 |

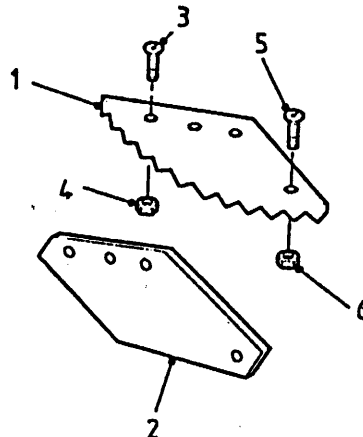
92125/4

Afbeelding 10E : Vijzelmessen
 Abbildung 10E : Schneckenmesser
 Picture 10E : Augerknives

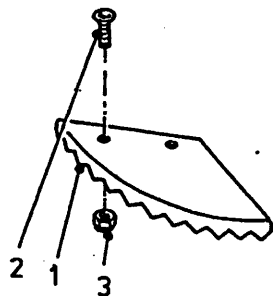
Standaard L=350



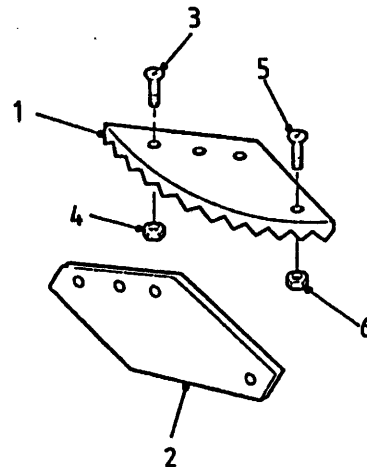
Standaard L=550



L=350 + TC



L=550 + TC



bestelnummer
 ordernummer
 Num. à commander
 Bestellnummer

Standaard

| | | | |
|---|-------|---|----------|
| 1 | 31841 | 1 | |
| 2 | 84121 | 2 | M16 x 45 |
| 3 | 86216 | 2 | M16 |

L = 350 + TC

| | | | |
|---|---------|---|----------|
| 1 | 31841TC | 1 | |
| 2 | 84121 | 2 | M16 x 45 |
| 3 | 86216 | 2 | M16 |

L = 550

| | | | |
|---|-------|---|----------|
| 1 | 31639 | 1 | |
| 2 | 31640 | 1 | |
| 3 | 84188 | 3 | M16 x 55 |
| 4 | 86216 | 3 | M16 |
| 5 | 84125 | 1 | M8 x 25 |
| 6 | 86208 | 1 | M8 |

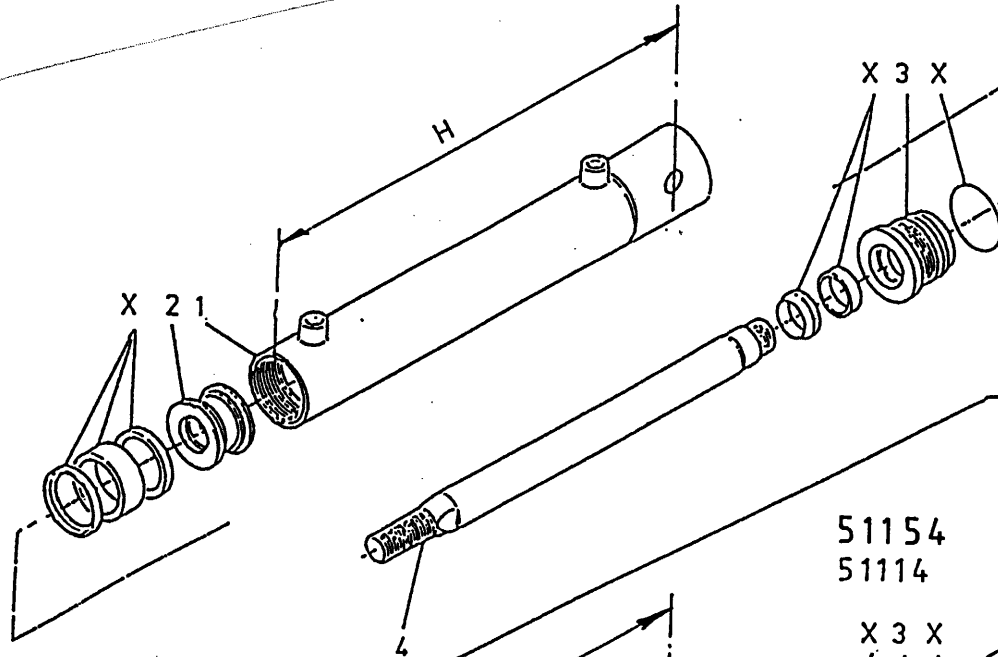
L = 550 + TC

| | | | |
|---|---------|---|----------|
| 1 | 31639TC | 1 | |
| 2 | 31640 | 1 | |
| 3 | 84188 | 3 | M16 x 55 |
| 4 | 86216 | 3 | M16 |
| 5 | 84125 | 1 | M8 x 25 |
| 6 | 86208 | 1 | M8 |

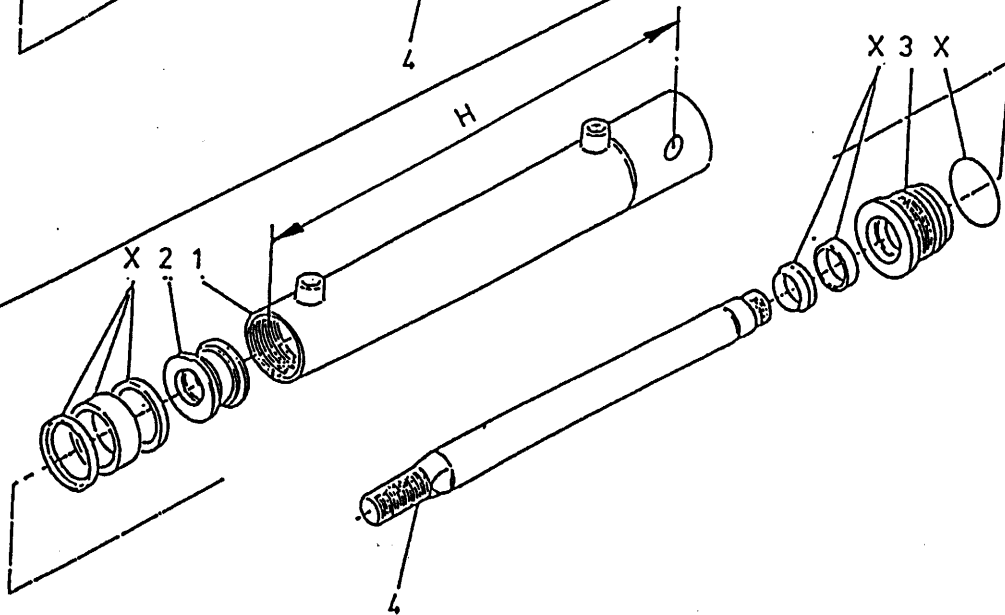
92125/4

Afbeelding 11 : Doseerklapcilinder
 Abbildung 11 : Auswurfschieberzylinder
 Picture 11 : Slide cilinder

51062



51154
51114



bestelnummer
 ordernummer
 Num. à commander
 Bestellnummer

51062 10/12/1400

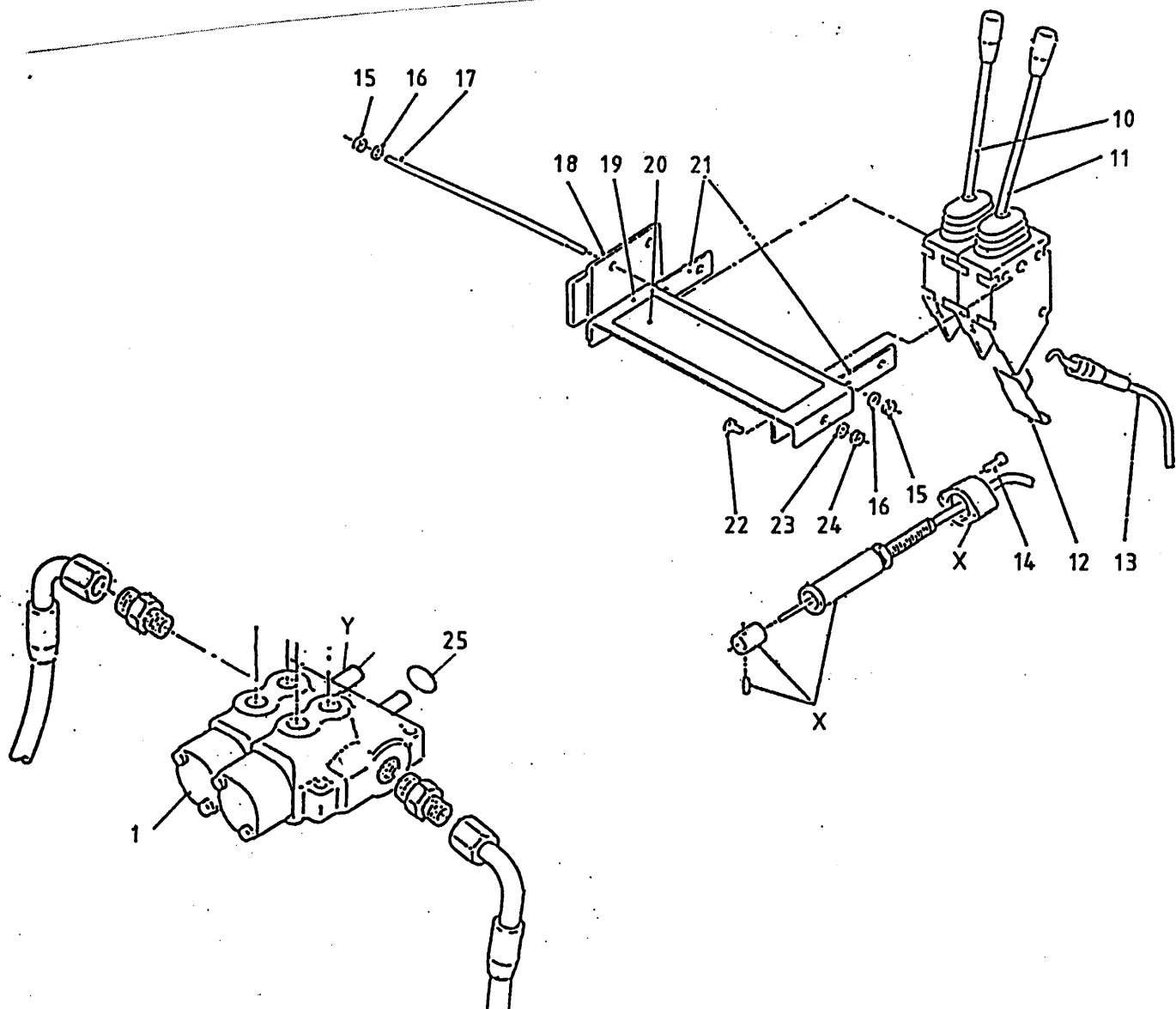
| | | | |
|---|-------|---|-----------|
| 1 | 11600 | 1 | H=1008 mm |
| 2 | 30860 | 1 | |
| 3 | 31460 | 1 | |
| 4 | 31459 | 1 | |
| X | 05317 | 1 | |

51114 / 51154 800

| | | | |
|----|-------|---|----------|
| 1A | 12045 | 1 | H=798 mm |
| 1B | 12870 | 1 | H=798 mm |
| 2 | 30860 | 1 | |
| 3 | 31460 | 1 | |
| 4 | 31764 | 1 | |
| X | 05317 | 1 | |

92125/4

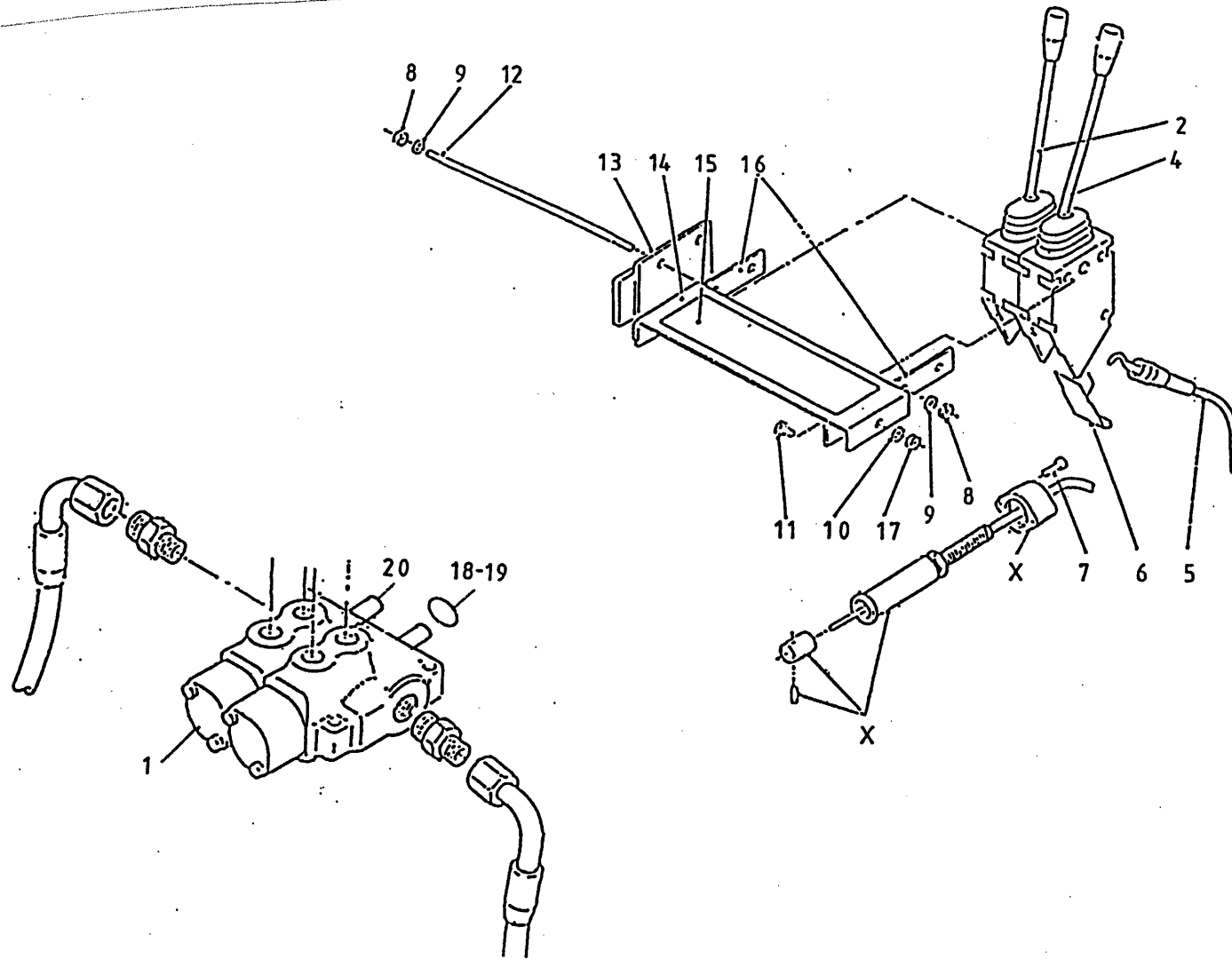
Afbeelding 12A : Mechanische afstandsbediening dosering voor en achter
 Abbildung 12A : Mechanische Fernbedienung Entleerung Vorne und Hinten
 Picture 12A : Mechanical remote control front and rear discharge



| bestelnummer | | ordernummer | |
|------------------|-------|---------------|---------------------|
| Num. à commander | | Bestellnummer | |
| 1A | 53262 | 1 | 2H →I01 |
| 1B | 53265 | 1 | 3H →I01 |
| 1C | 53266 | 1 | 4H →I01 |
| 1D | 53292 | 1 | 2H I→02 |
| 10 | 53129 | 1 | |
| 11 | 53127 | 1 | |
| 12 | 60210 | 2 | |
| 13A | 79060 | 2 | L = 3000 →I01 |
| 13B | 79086 | 2 | L=3500 I→02 |
| 14 | 84480 | 4 | M6 x 45 |
| 15 | 86206 | 6 | M6 |
| 16 | 85106 | 6 | M6 |
| 17 | 84042 | 3 | M6 x 120 |
| 18 | 11139 | 1 | |
| 19 | 23167 | 1 | |
| 20 | 91237 | 1 | |
| 21 | 22244 | 2 | |
| 22 | 80816 | 2 | M8 x 16 |
| 23 | 85108 | 2 | M8 |
| 24 | 86208 | 2 | M8 |
| 25A | 78126 | 2 | 15,08 x 2,62/70 |
| 25B | 78128 | 2 | 17,86 x 2,62/70 |
| X | 53231 | 2 | |
| Y1 | 53430 | 2/3/4 | (53262/53265/53266) |
| Y2 | 53436 | 2 | (53292) |

92125/4

Afbeelding 12B : Mechanische afstandsbediening zijkleppen
 Abbildung 12B : Mechanische Fernbedienung Seitliche Entleerung
 Picture 12B : Mechanical remote control side discharge

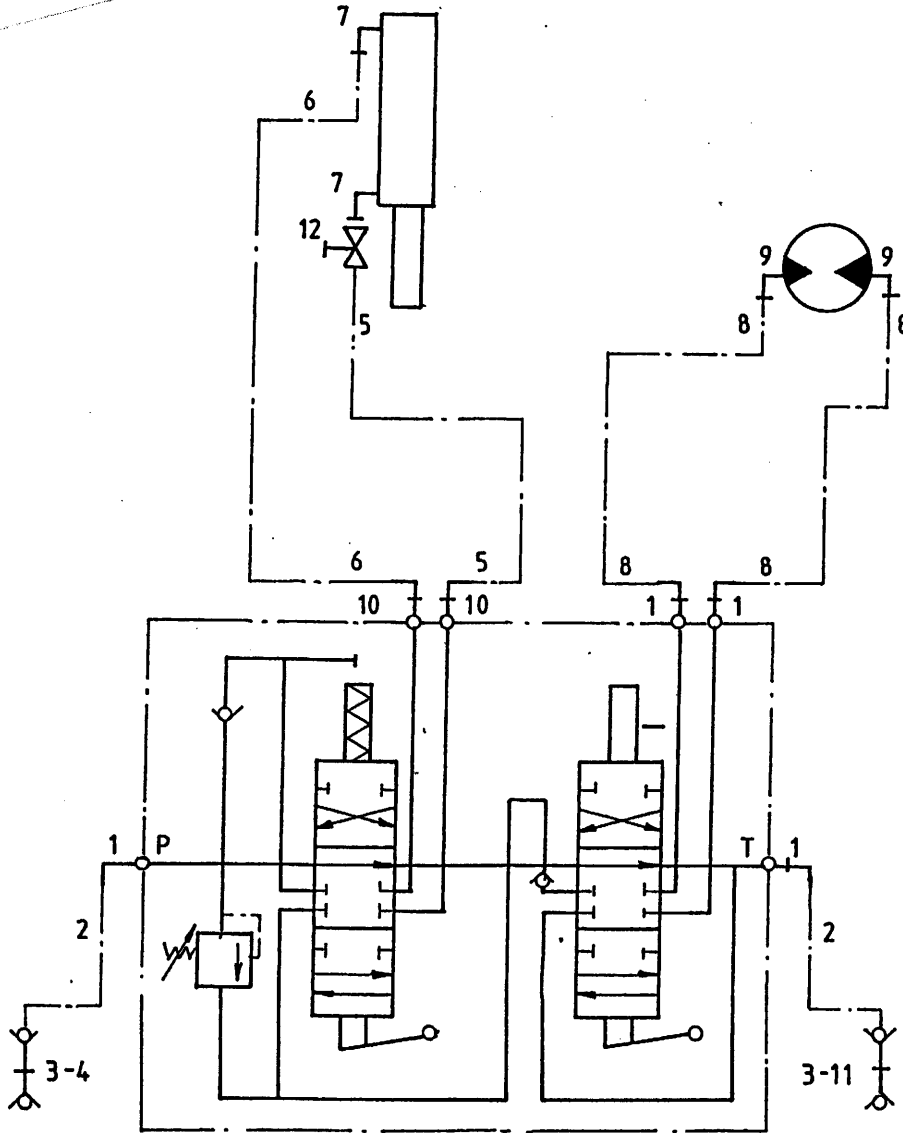


bestelnummer
 ordernummer
 Num. à commander
 Bestellnummer

| | | | |
|----|-------|---|-----------------|
| 1 | 53267 | 1 | |
| 2 | 53129 | 1 | |
| 4 | 53127 | 1 | |
| 5 | 79086 | 1 | L=3500 |
| 6 | 60210 | 3 | |
| 7 | 84480 | 6 | M6 x 45 |
| 8 | 86206 | 6 | M6 |
| 9 | 85106 | 6 | M6 |
| 10 | 85108 | 2 | M8 |
| 11 | 80816 | 2 | M8 x 16 |
| 12 | 84042 | 3 | M6 x 120 |
| 13 | 11139 | 1 | |
| 14 | 23167 | 1 | |
| 15 | 91237 | 1 | |
| 16 | 22244 | 2 | |
| 17 | 86208 | 2 | M8 |
| 18 | 78128 | 1 | 17,86 x 2.62/70 |
| 19 | 78126 | 2 | 15.08 x 2.62/70 |
| 20 | 53430 | 2 | |
| X | 53231 | 2 | |

92125/4

Afbeelding 13A : Slangenschema Voorlossend
 Abbildung 13A : Hydraulik Plan Entleerung Vorne
 Picture 13A : Hydraulics front discharge

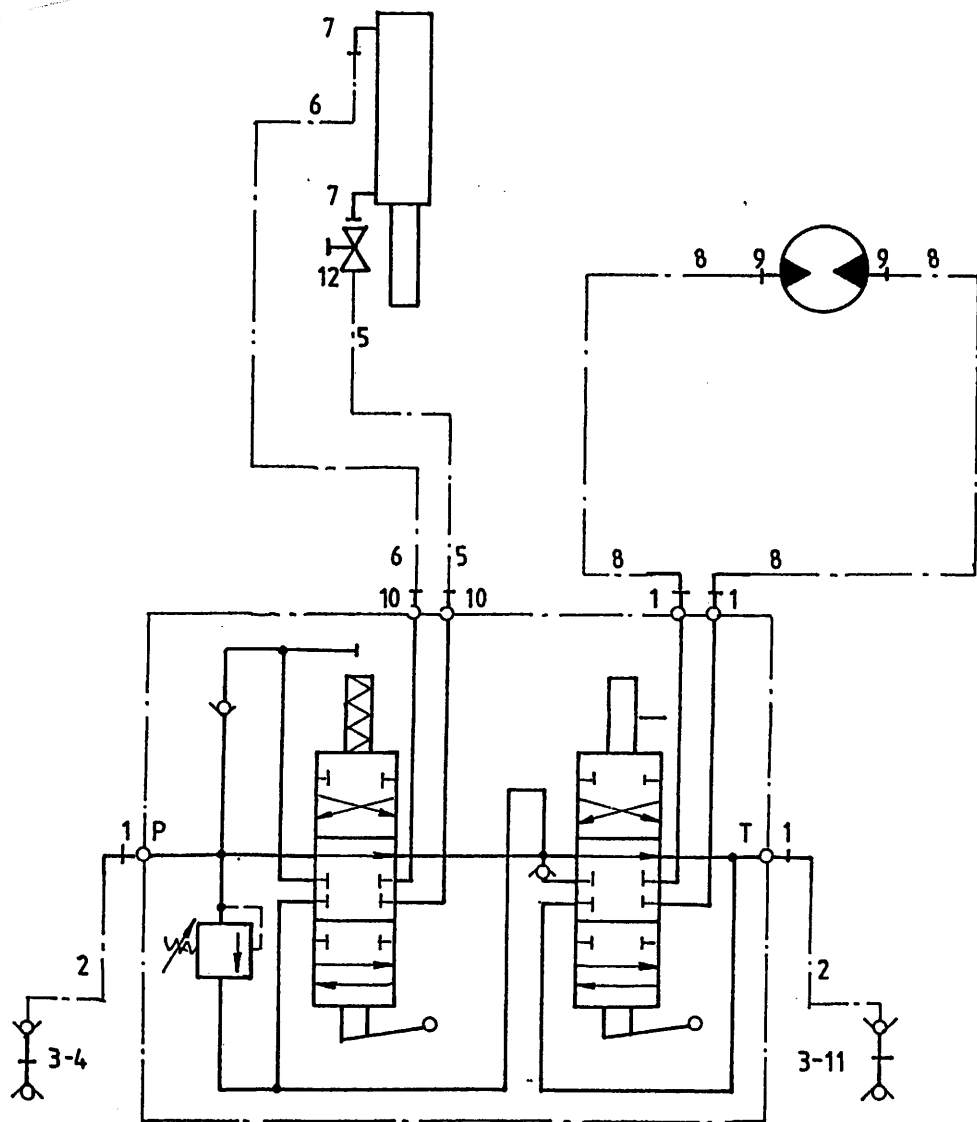


bestelnummer
 ordernummer
 Num. à commander
 Bestellnummer

| | | | |
|----|--------|---|------------|
| 1 | X50102 | 4 | |
| 2 | W50768 | 2 | ½" 3000 RH |
| 3 | 53301 | 2 | |
| 4 | 53303 | 1 | |
| 5 | W50650 | 1 | ¼" 1000 RH |
| 6 | W50700 | 1 | ¼" 1800 RH |
| 7 | X50107 | 2 | |
| 8 | W50601 | 2 | ½" 1800 RH |
| 9 | X50123 | 2 | |
| 10 | X50114 | 2 | |
| 11 | 53326 | 1 | |
| 12 | 51027 | 1 | |

92125/4

Afbeelding 13B : Slangen achterlossend
 Abbildung 13B : Hydraulik Plan Entleerung Hinten
 Picture 13B : Hydraulics rear discharge

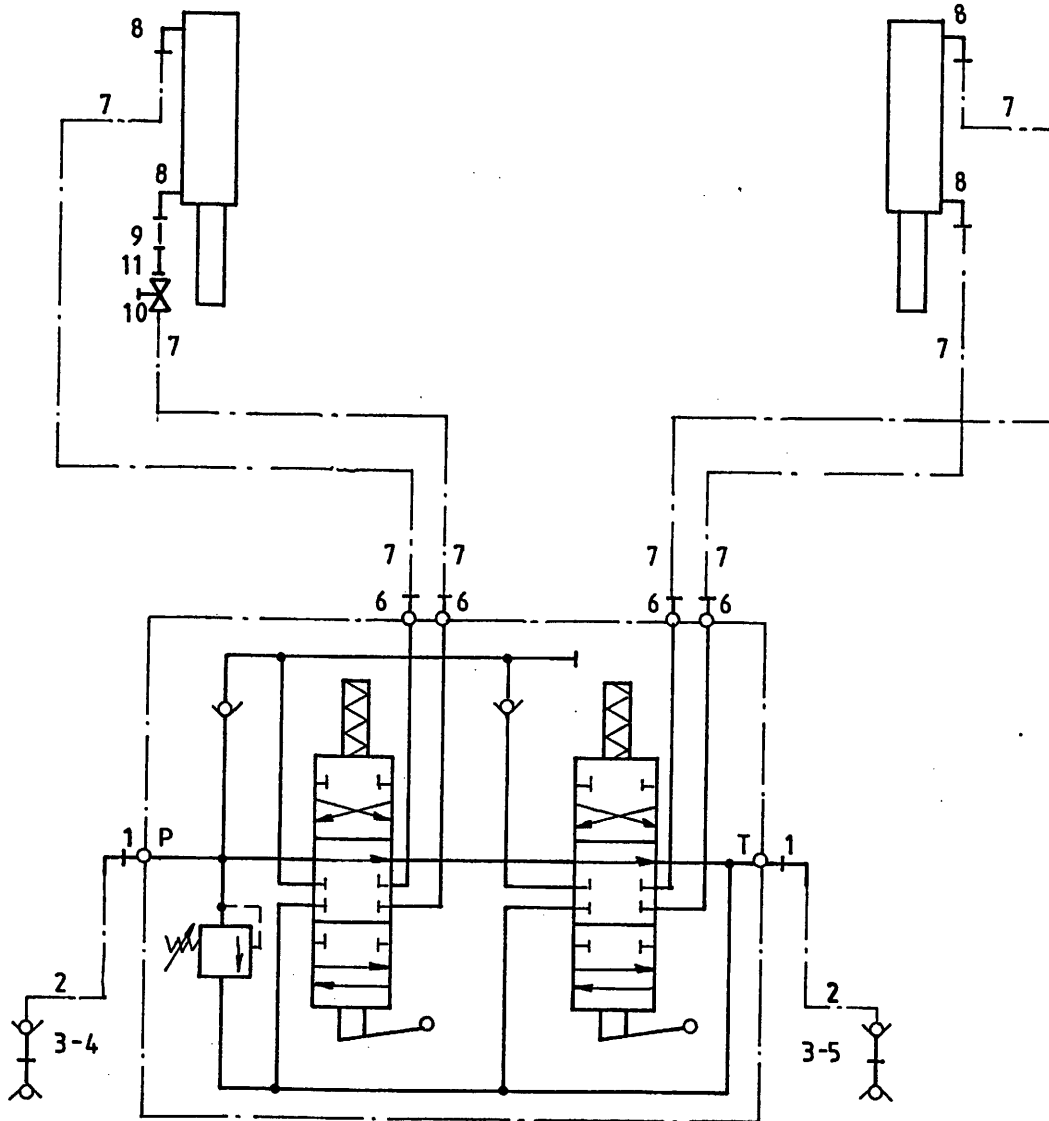


bestelnummer
 ordernummer
 Num. à commander
 Bestellnummer

| | | | |
|----|--------|---|-----------------|
| 1 | X50102 | 4 | |
| 2 | W50643 | 2 | ½" 2500 RH |
| 3 | 53301 | 2 | |
| 4 | 53303 | 1 | |
| 5 | W50961 | 1 | ¼" 5100 RR |
| 6 | W50974 | 1 | ¼" 5800 RR |
| 7 | 50107 | 2 | |
| 8A | W50846 | 2 | ½" 3250 RH |
| 8B | W50668 | 2 | ½" 4000 RH 1400 |
| 9 | X50117 | 2 | |
| 10 | X50114 | 2 | |
| 11 | 53326 | 1 | |
| 12 | 51027 | 1 | |

92125/4

Afbeelding 13C : Slangenschema zijlossend
 Abbildung 13C : Hydraulik Plan Seitliche Entleerung
 Picture 13C : Hydraulics side discharge



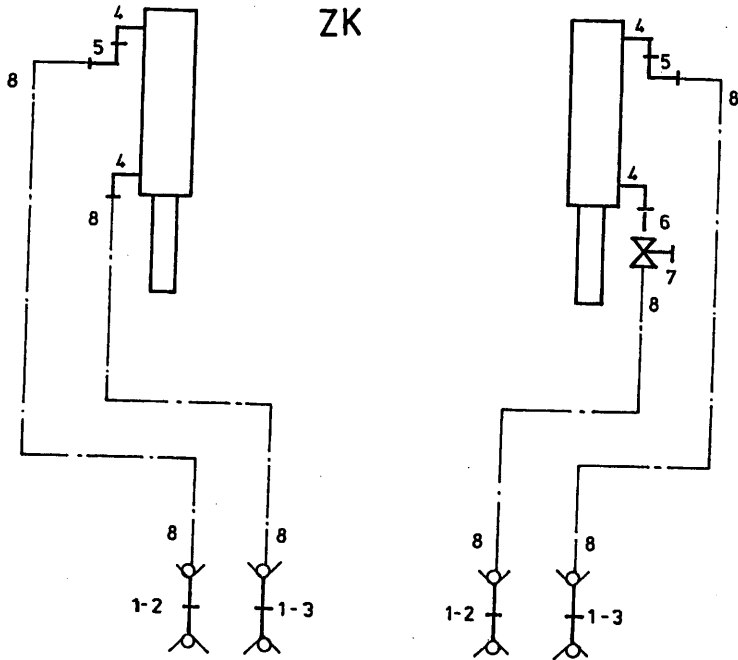
bestelnummer
 ordernummer
 Num. à commander
 Bestellnummer

| | | | |
|----|--------|---|------------|
| 1 | X50102 | 2 | |
| 2 | W50643 | 2 | ½" 2500 RH |
| 3 | 53301 | 2 | |
| 4 | 53303 | 1 | Rood |
| 5 | 53326 | 1 | Blauw |
| 6 | X50114 | 4 | |
| 7 | W50745 | 4 | ¼" 4600 RR |
| 8 | X50107 | 4 | |
| 9 | 52654 | 1 | |
| 10 | 51027 | 1 | |
| 11 | 50135 | 1 | |

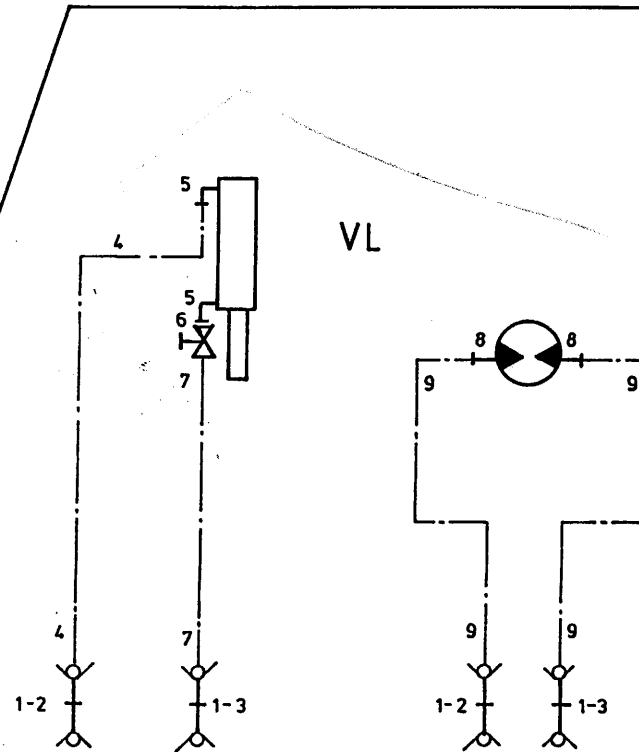
92125/4

Afbeelding 13D : Slangenschema directe aansluiting ZK en VL types
 Abbildung 13D : Hydraulik Plan Direct Anschluß ZK und VL Types
 Picture 13D : Hydraulics direkt connection ZK and VL types

bestelnummer
 ordernummer
 Num. à commander
 Bestellnummer



ZK



VL

ZK

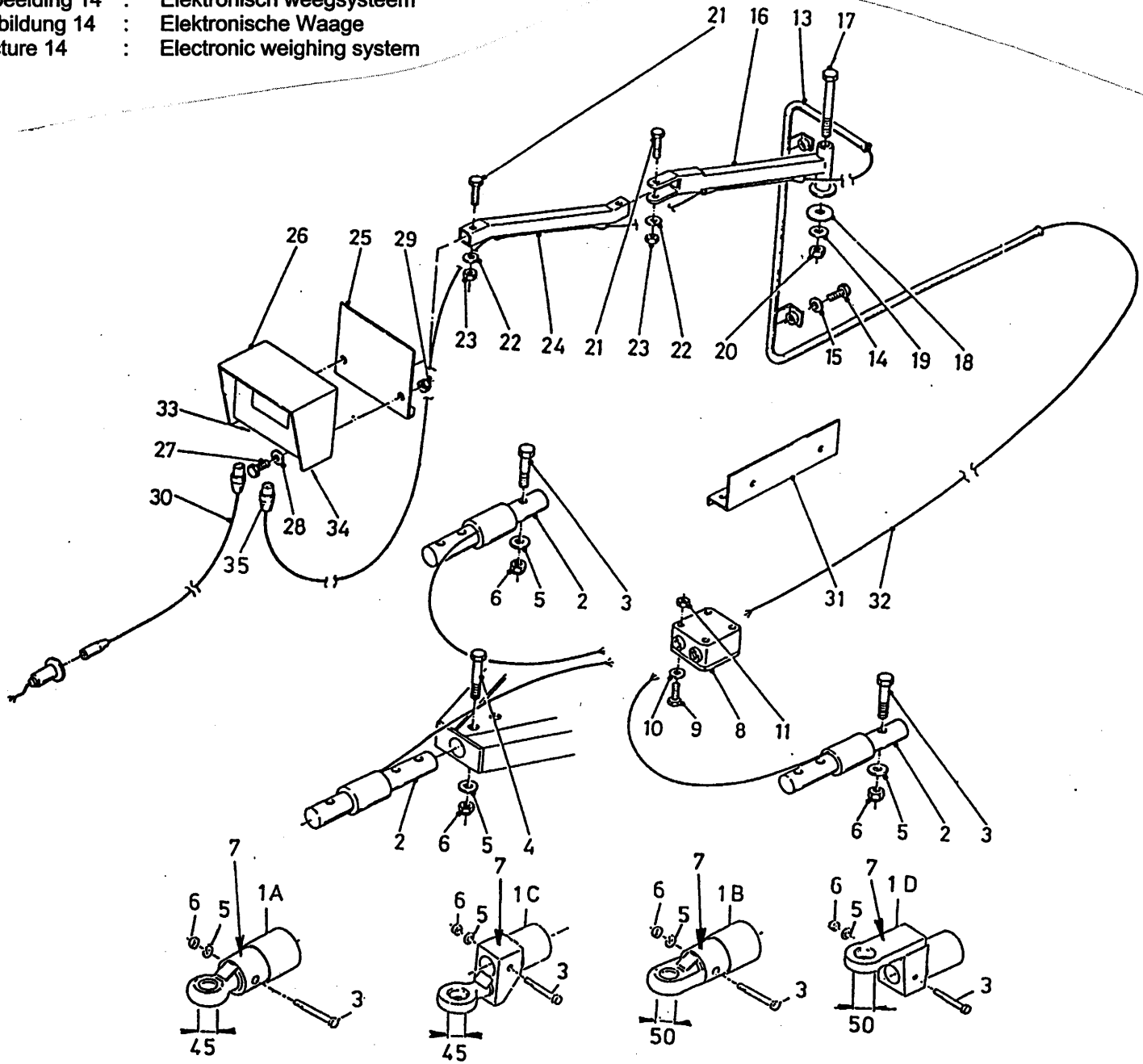
| | | | |
|---|--------|---|------------|
| 1 | 53016 | 4 | |
| 2 | 53303 | 2 | Rood |
| 3 | 53326 | 2 | Blauw |
| 4 | X50107 | 4 | |
| 5 | X50147 | 2 | |
| 6 | 52654 | 1 | L=40 |
| 7 | 51027 | 1 | |
| 8 | W50920 | 4 | ¼" 6500 RR |

VL

| | | | |
|---|--------|---|------------|
| 1 | 53016 | 4 | |
| 2 | 53303 | 2 | Rood |
| 3 | 53326 | 2 | Blauw |
| 4 | W50754 | 1 | ¼" 3900 RR |
| 5 | X50107 | 2 | |
| 6 | 51027 | 1 | |
| 7 | W50660 | 1 | ¼" 3100 RR |
| 8 | X50117 | 2 | |
| 9 | W50765 | 2 | ½" 4300 RR |

92125/4

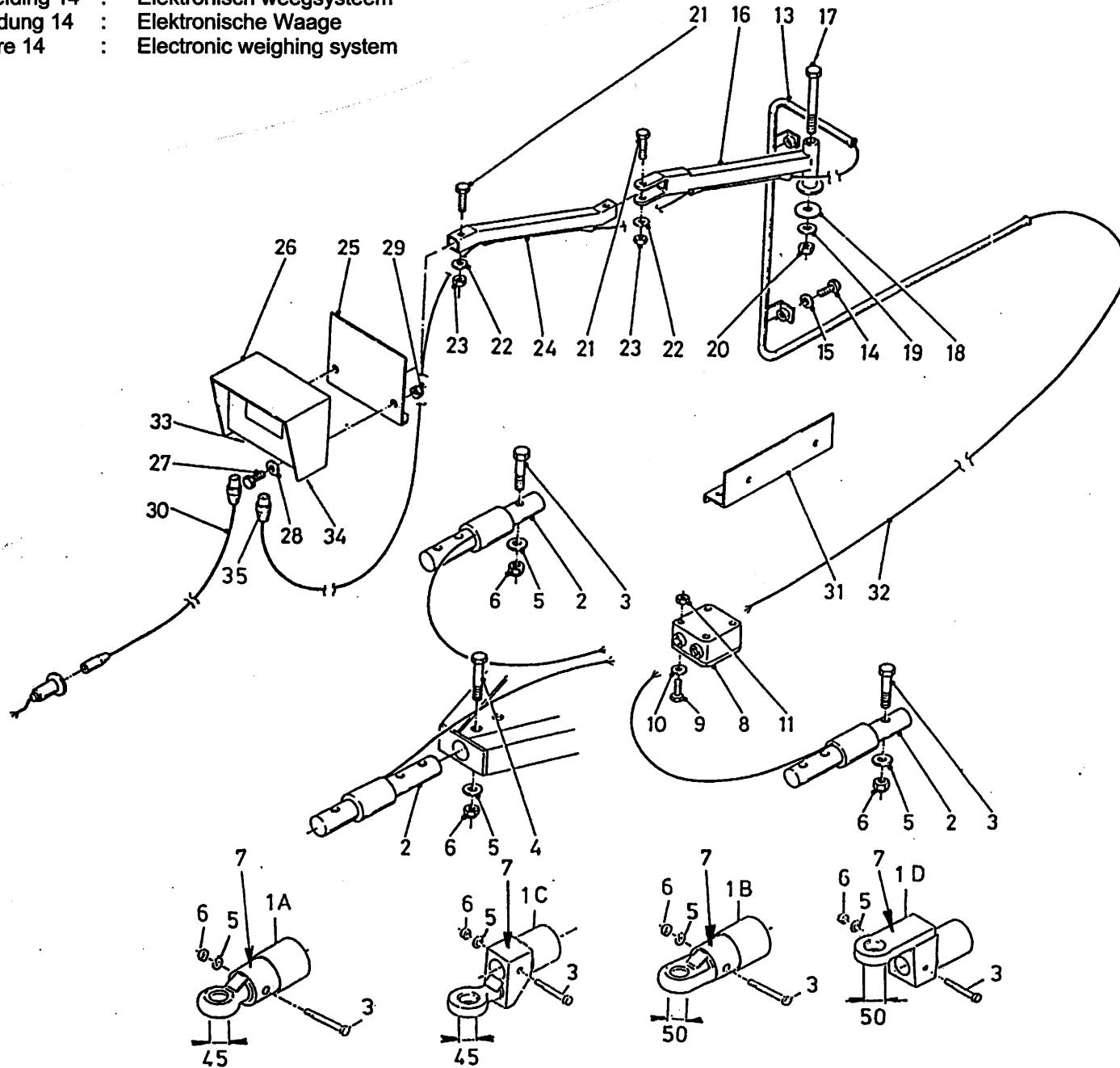
Afbeelding 14 : Elektronisch weegsystem
 Abbildung 14 : Elektronische Waage
 Picture 14 : Electronic weighing system



| bestelnummer | | ordernummer | |
|------------------|-------|---------------|----------------|
| Num. à commander | | Bestellnummer | |
| 1A | 12229 | 1 | Ø45 |
| 1B | 12560 | 1 | Ø50 |
| 1C | 12230 | 1 | Ø45 |
| 1D | 12612 | 1 | Ø50 |
| 2 | 90447 | 3 | |
| 3 | 82013 | 3 | M20 x 130 12.9 |
| 4 | 82014 | 1 | M20 x 140 12.9 |
| 5 | 85020 | 4 | M20 |
| 6 | 86220 | 4 | M20 |
| 7 | 91216 | 1 | |
| 8 | 90482 | 1 | |
| 9 | 84445 | 4 | M5 x 20 |
| 10 | 85105 | 4 | M5 |
| 11 | 86505 | 4 | M5 |
| 13 | 12034 | 1 | |
| 14 | 80821 | 2 | M8 x 20 |
| 15 | 85108 | 2 | M8 |
| 16A | 12037 | 1 | VL |
| 16B | 12625 | 1 | ZK/AL |
| 17 | 81653 | 1 | M16 x 150 |
| 18 | 60298 | 1 | |
| 19 | 85116 | 1 | M16 |
| 20 | 86216 | 1 | M16 |
| 21 | 81055 | 2 | M10 x 55 |
| 22 | 85110 | 2 | M10 |
| 23 | 86210 | 2 | M10 |
| 24A | 12036 | 1 | VL |
| 24B | 12624 | 1 | ZK/AL |
| 25 | 12038 | 1 | |
| 26A | 90481 | 1 | F150 |
| 26B | 90744 | 1 | F150 View |
| 26C | 90573 | 1 | F320 |
| 26D | 94007 | 1 | EZ 2000 |
| 26E | 90977 | 1 | EZ 2000 View |
| 27 | 80621 | 2 | M6 x 20 |
| 28 | 85106 | 2 | M6 |
| 29 | 86506 | 2 | M6 |
| 30 | 90483 | 1 | |

92125/4

Afbeelding 14 : Elektronisch weegsystem
 Abbildung 14 : Elektronische Waage
 Picture 14 : Electronic weighing system

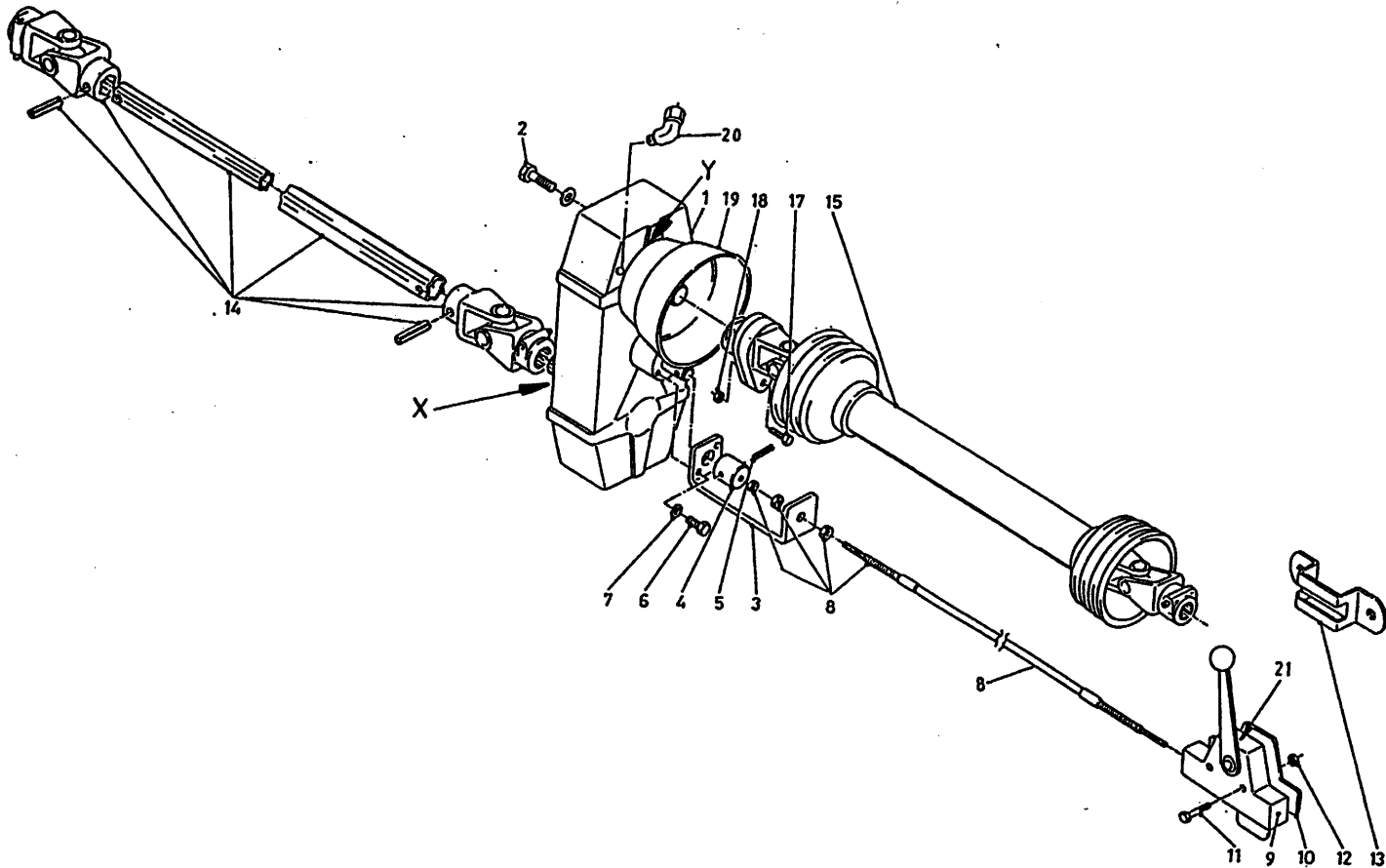


bestelnummer
 ordernummer
 Num. à commander
 Bestellnummer

| | | | |
|-----|-------|---|-----------|
| 31A | 40456 | 1 | 8/10/1200 |
| 31B | 40470 | 1 | 1400 |
| 32 | 90719 | 1 | L=5m |
| 33 | 05389 | 1 | Female |
| 34 | 05390 | 1 | Female |
| 35 | 98218 | 1 | |

92125/4

Afbeelding 15A : Vertragingkast 8/10/1200
 Abbildung 15A : Reduziergetriebe 8/10/1200
 Picture 15A : Reduction gearbox 8/10/1200

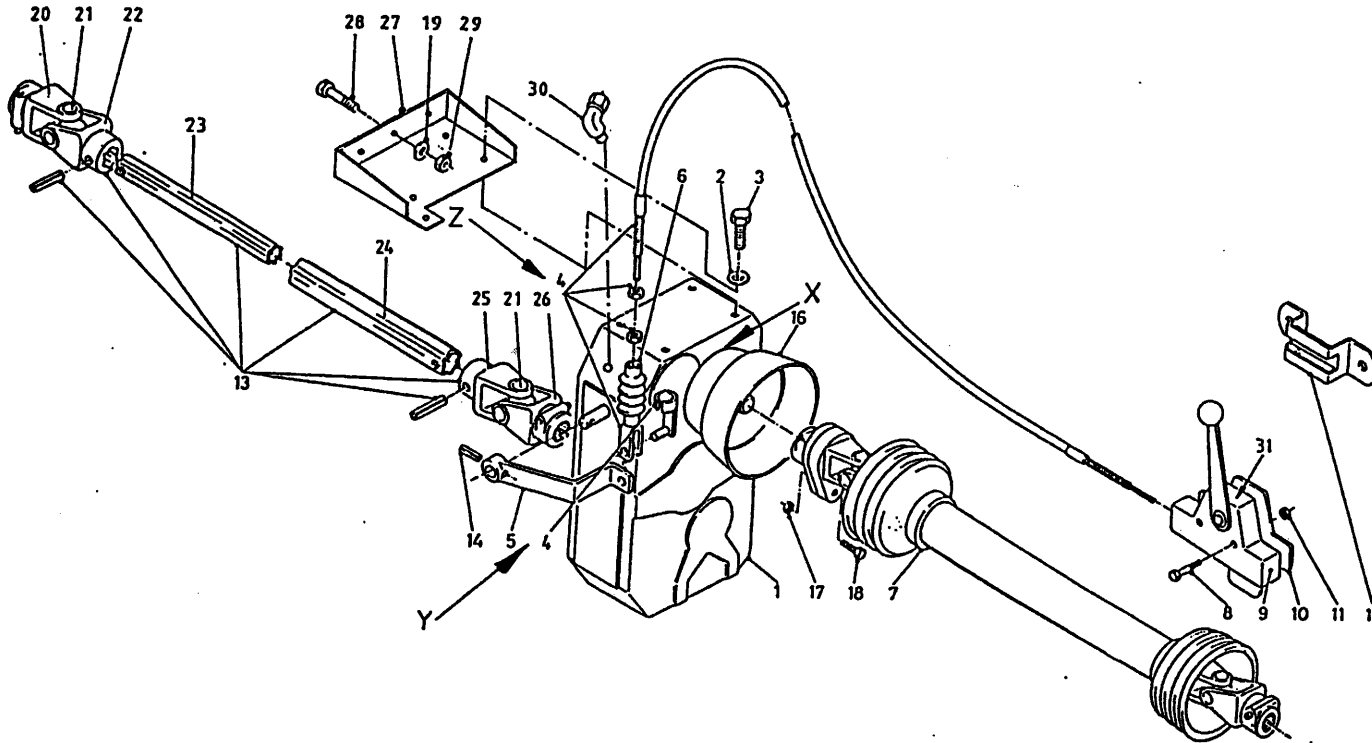


bestelnummer
 ordernummer
 Num. à commander
 Bestellnummer

| | | | |
|-----|-------|---|---------------------|
| 1A | 90488 | 1 | Comer → I 03 |
| 1B | 90911 | 1 | GB I → 04 |
| 2 | 81445 | 4 | M 14x45 |
| 3 | 25775 | 1 | |
| 4 | 31781 | 1 | |
| 5 | 88027 | 1 | Ø 6x26 |
| 6 | 80831 | 2 | M8x30 |
| 7 | 85008 | 2 | M8 |
| 8 | 90810 | 1 | |
| 9 | 79051 | 1 | L=3000 |
| 10 | 10525 | 1 | |
| 11 | 80630 | 2 | M6x30 |
| 12 | 86206 | 2 | M6 |
| 13 | 20199 | 1 | |
| 14A | 90559 | 1 | Ø48 1 3/4"-6 |
| 14B | 90560 | 1 | 1 3/4" -20 1 3/4"-6 |
| 14C | 90627 | 1 | 1 3/8"-6 - 1 3/4"-6 |
| 15A | 90495 | 1 | → I 02 |
| 15B | 90795 | 1 | I → 03 |
| 17 | 80860 | 1 | M8x60 |
| 18 | 86208 | 1 | M8 |
| 19 | 90948 | 1 | |
| 20 | 50550 | 1 | |
| 21 | 91336 | 1 | |
| X | 70170 | 1 | |
| Y | 70169 | 1 | |

92125/4

Afbeelding 15B : Verdragingskast 1400
 Abbildung 15B : Reduziergetriebe 1400
 Picture 15B : Reduction gearbox 1400

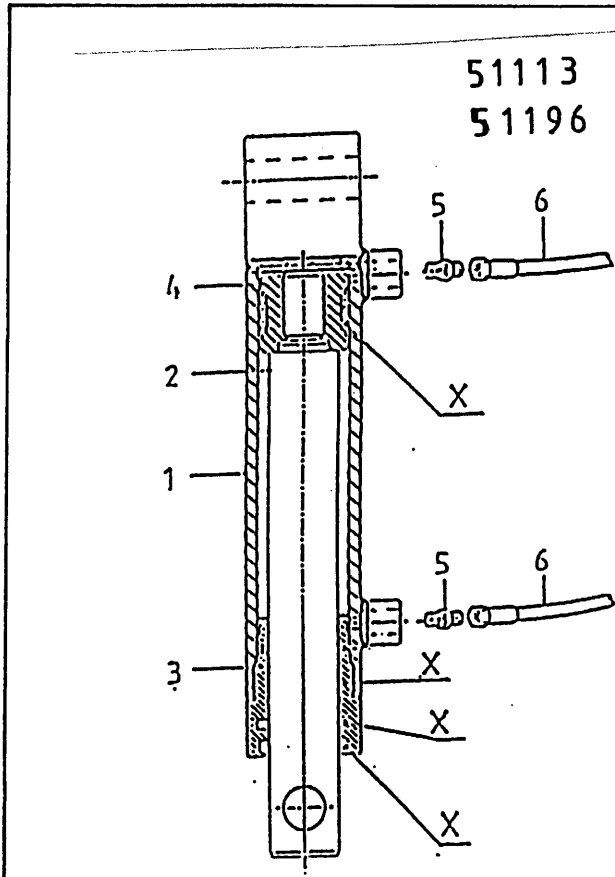
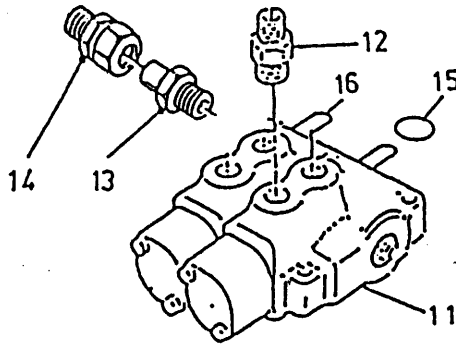
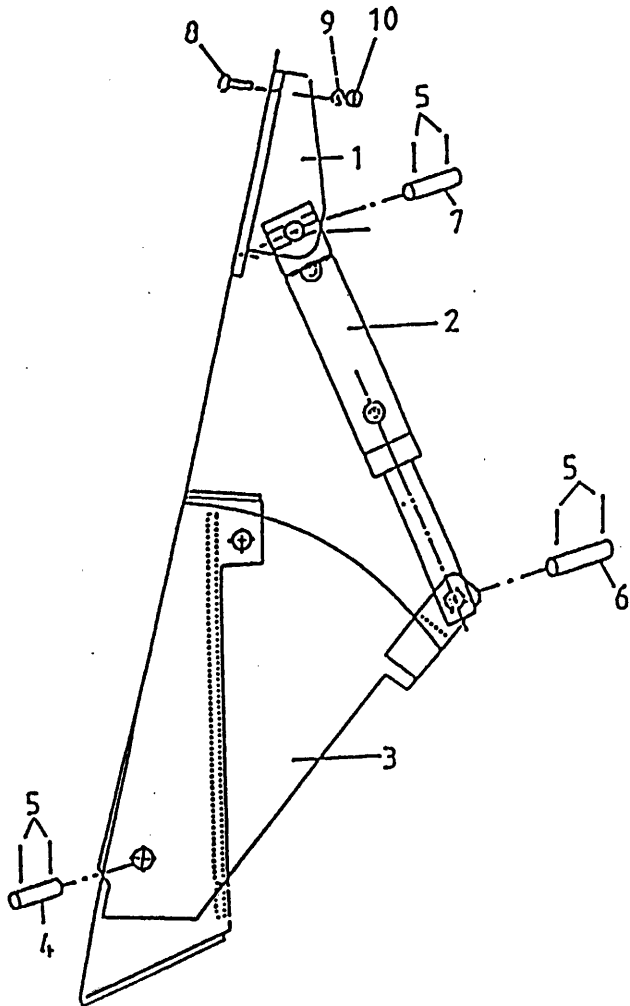


bestelnummer
 ordernummer
 Num. à commander
 Bestellnummer1906331

| | | | |
|-----|-------|---|--------------------|
| 1A | 90633 | 1 | BIMA → 03 |
| 1B | 90857 | 1 | GB ↗ 04 |
| 2 | 85114 | 4 | M14 |
| 3 | 81430 | 4 | M14x30 |
| 4 | 79051 | 1 | L=3000 |
| 5A | 12235 | 1 | BIMA → 03 |
| 5B | 12862 | 1 | GB ↗ 04 |
| 6 | 90280 | 1 | |
| 7 | 90495 | 1 | |
| 8 | 80630 | 2 | M6x60 |
| 9 | 90770 | 1 | |
| 10 | 10525 | 1 | |
| 11 | 86206 | 2 | M6 |
| 12 | 20199 | 1 | |
| 13A | 90560 | 1 | 1 1/4"-20-1 1/4"-6 |
| 13B | 90537 | 1 | Ø 45 1 1/4"-6 |
| 14 | 88030 | 1 | Ø 6x30 |
| 16 | 90499 | 1 | |
| 17 | 86208 | 1 | M8 |
| 18 | 80860 | 1 | M8x60 |
| 19 | 85116 | 3 | M16 |
| 20A | 90562 | 1 | 1 1/4"-20 |
| 20B | 90605 | 1 | Ø 45/14 |
| 21 | 90561 | 2 | |
| 22 | 90607 | 1 | |
| 23 | 90741 | 1 | |
| 24 | 90742 | 1 | |
| 25 | 90606 | 1 | |
| 26 | 90608 | 1 | 1 1/4" - 6 |
| 27A | 12428 | 1 | BIMA → 03 |
| 27B | 12861 | 1 | GB ↗ 04 |
| 28 | 81641 | 3 | M16 x 40 |
| 29 | 86216 | 3 | M16 |
| 30 | 50276 | 1 | 45° |
| 31 | 91336 | 1 | |
| X | 70171 | 1 | GB |
| X | 70173 | 1 | BIMA |
| Y | 70171 | 1 | GB / BIMA |
| Z | 70172 | 1 | BIMA |

92125/4

Afbeelding 16 : Hydraulische bediening conframes
 Abbildung 16 : Hydraulische Bedienung Kontramesser
 Picture 16 : Hydraulic control counter knife



bestelnummer
 ordernummer
 Num. à commander
 Bestellnummer

| | | | |
|----|--------|---|-----------------|
| 1 | 12043 | 1 | |
| 2A | 51113 | 1 | → 04 H=120 |
| 2B | 51196 | 1 | → 05 H=110 |
| 3 | 12039 | 1 | |
| 4 | 25332 | 1 | |
| 5 | 88239 | 6 | Ø5 x 40 |
| 6 | 25607 | 1 | |
| 7 | 25606 | 1 | |
| 8 | 84808 | 2 | M12 x 30 |
| 9 | 85112 | 2 | M12 |
| 10 | 86212 | 2 | M12 |
| 11 | 53267 | 1 | |
| 12 | X50114 | 2 | |
| 13 | 50132 | 1 | |
| 14 | 50102 | 1 | |
| 15 | 78126 | 2 | 15.08 x 2.62/70 |
| 16 | 53430 | 2 | |

51113 (H=110)

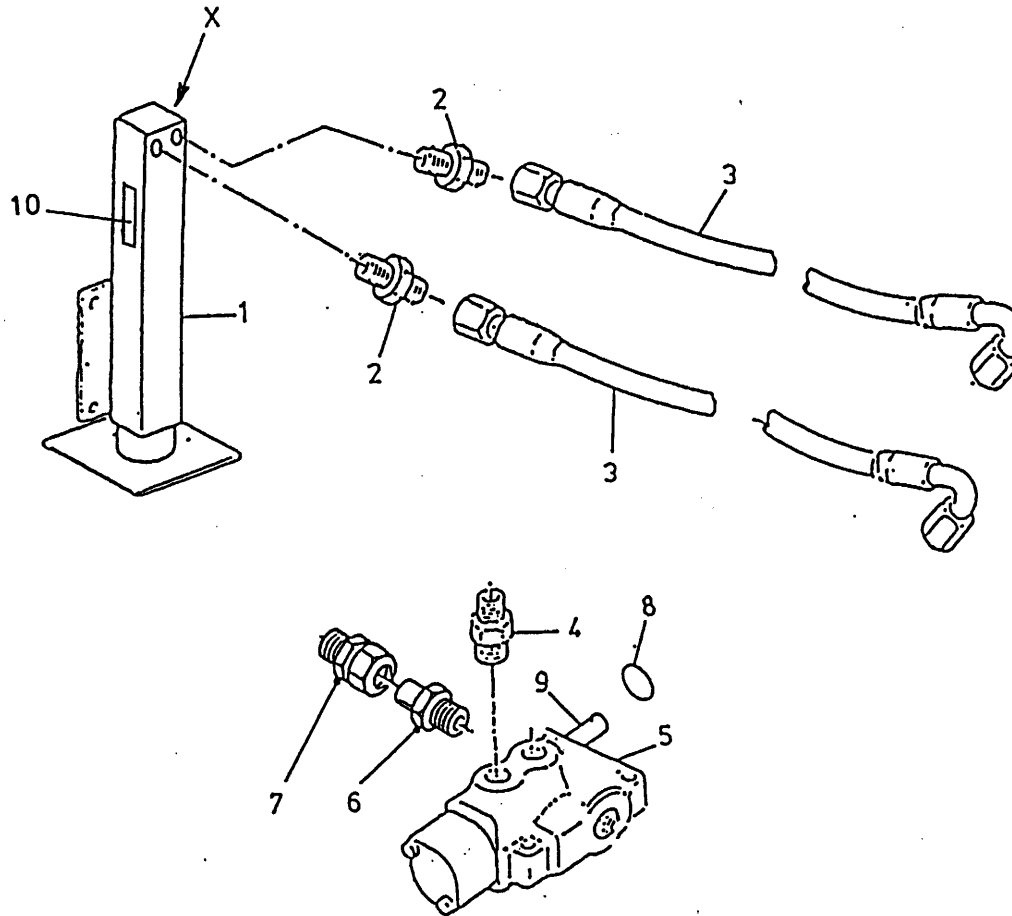
| | | | |
|---|--------|---|------------|
| 1 | 12028 | 1 | |
| 2 | 31757 | 1 | |
| 3 | 31460 | 1 | |
| 4 | 30860 | 1 | |
| 5 | X50104 | 1 | |
| 6 | W50959 | 2 | ¼" 4000 RH |
| X | 05309 | 2 | |

51196 (H=120)

| | | | |
|---|--------|---|------------|
| 1 | 12843 | 1 | |
| 2 | 32207 | 1 | |
| 3 | 31460 | 1 | |
| 4 | 30860 | 1 | |
| 5 | X50104 | 1 | |
| 6 | W50959 | 2 | ¼" 4000 RH |
| X | 05309 | 2 | |

92125/4

Afbeelding 17 : Hydraulische steunpoot
 Abbildung 17 : Hydraulischer Stützfuß
 Picture 17 : Hydraulic support

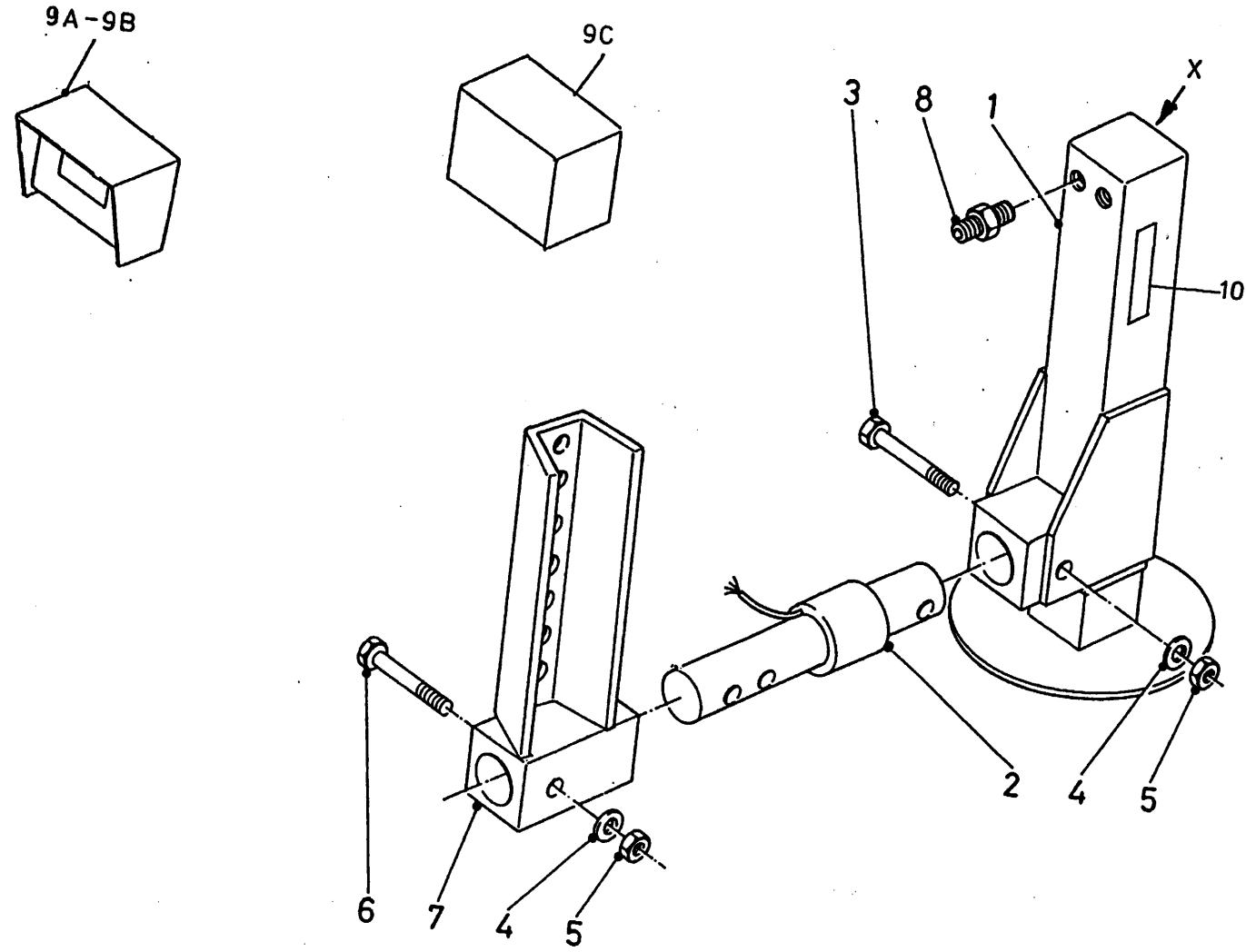


bestelnummer
 ordernummer
 Num. à commander
 Bestellnummer

| | | | |
|----|--------|---|-----------------|
| 1 | 12029 | 1 | |
| 2 | X50124 | 2 | |
| 3 | W50956 | 2 | 1/4" 4200 RH |
| 4 | X50114 | 2 | |
| 5 | 53002 | 1 | |
| 6 | 50132 | 1 | |
| 7 | 50102 | 1 | |
| 8 | 78126 | 1 | 15.08 x 2.62/70 |
| 9 | 53430 | 1 | |
| 10 | 91334 | 1 | |
| X | 05432 | 1 | |

92125/4

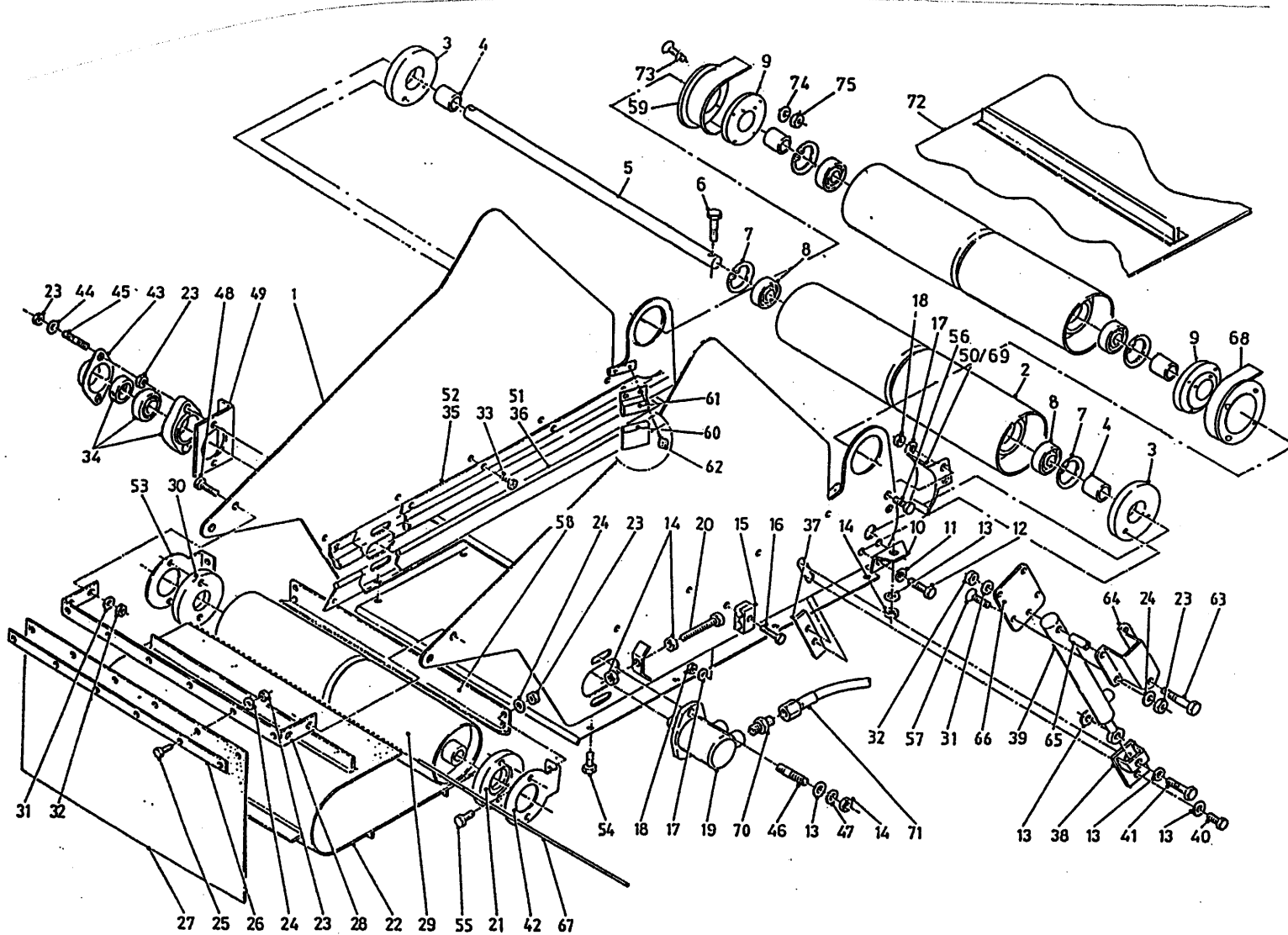
Afbeelding 18 : Steunpoot met sensor en accu
 Abbildung 18 : Stutzfuß mit Wiegestab und Batterie
 Picture 18 : Hydraulic support with weighing sensor



| bestelnummer | | ordernummer | |
|------------------|--------|---------------|----------------|
| Num. à commander | | Bestellnummer | |
| 1 | 12368 | 1 | |
| 2 | 90447 | 1 | |
| 3 | 82017 | 1 | M20 x 160 12.9 |
| 4 | 85120 | 2 | M20 |
| 5 | 86220 | 2 | M20 |
| 6 | 82014 | 1 | M20 x 140 12.9 |
| 7 | 12602 | 1 | |
| 8 | X50124 | 2 | |
| 9A | 90713 | 1 | serie 01 |
| 9B | 90481 | 1 | serie 02 |
| 9C | 90834 | 1 | accu/ Batterie |
| 10 | 91334 | 1 | |
| X | 05432 | 1 | |

92125/4

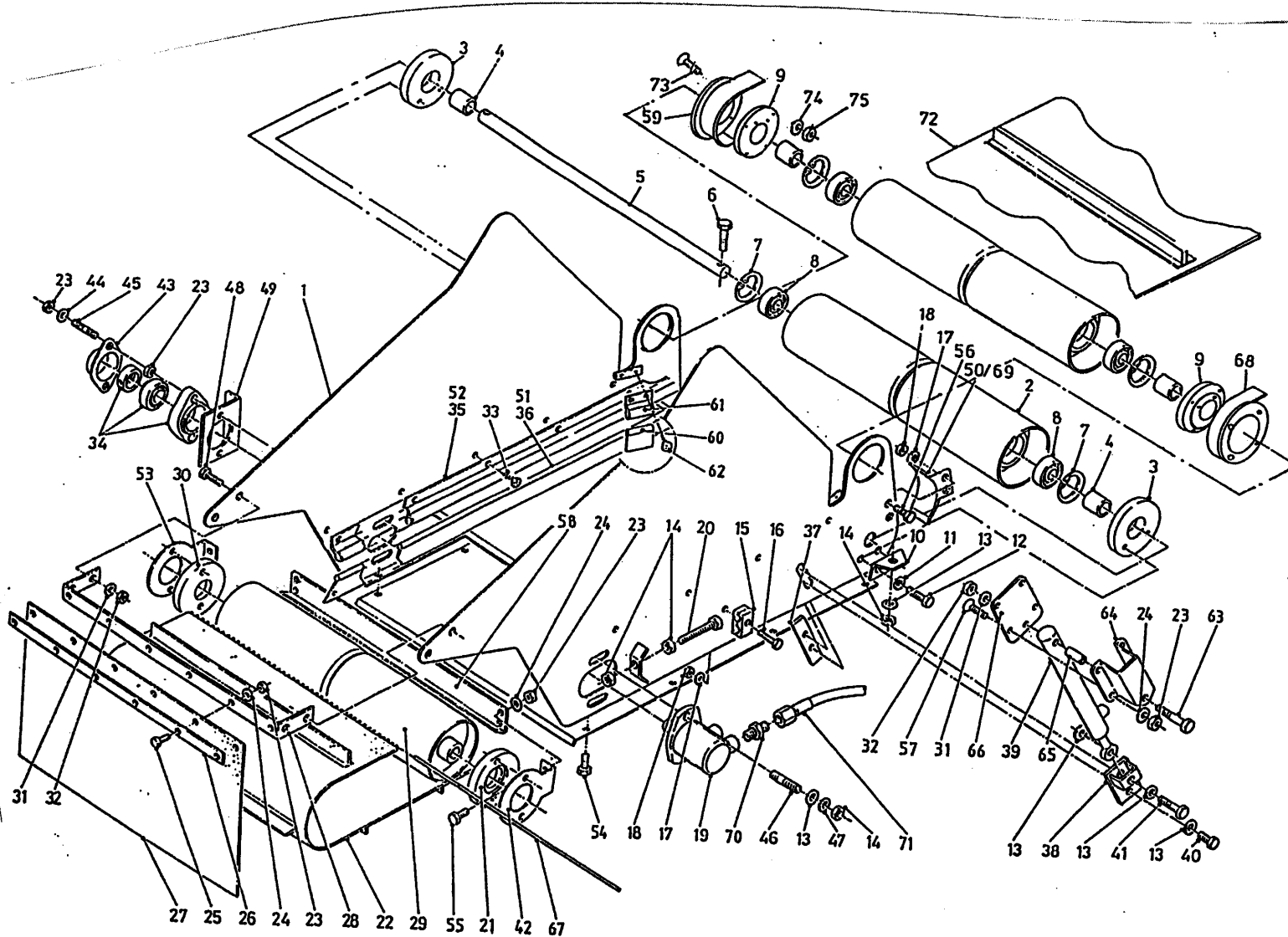
Afbeelding 19A : Opvoerband
 Abbildung 19A : Querband Verlängerung
 Picture 19A : Side conveyor belt extension



| bestelnummer | | ordernummer | |
|------------------|-------|---------------|--------------|
| Num. à commander | | Bestellnummer | |
| 1A | 12483 | 1 | L=900 |
| 1B | 12531 | 1 | L=1200 |
| 2 | 11979 | 1 | |
| 3 | 60290 | 2 | |
| 4 | 27115 | 2 | |
| 5 | 25200 | 1 | |
| 6 | 81251 | 2 | M12 x 50 |
| 7 | 87162 | 2 | J62 |
| 8 | 70010 | 2 | 6206 |
| 9 | 60332 | 2 | |
| 10 | 27116 | 2 | |
| 11 | 85010 | 4 | M10 |
| 12 | 81036 | 2 | M10 x 35 |
| 13 | 85112 | 1 | M12 |
| 14 | 86212 | 1 | M12 |
| 15 | 80427 | 1 | |
| 16 | 80645 | 1 | M6 x 45 |
| 17 | 85106 | 1 | M6 |
| 18 | 86206 | 1 | M6 |
| 19 | 51083 | 1 | |
| 20 | 81223 | 2 | M12 x 180 |
| 21 | 31709 | 1 | |
| 22A | 60319 | 1 | L=2320 |
| 22B | 60342 | 1 | L=2920 |
| 23 | 86208 | 6 | M8 |
| 24 | 85108 | 6 | M8 |
| 25 | 80826 | 6 | M8 x 25 |
| 26 | 22126 | 1 | |
| 27 | 60335 | 1 | |
| 28 | 27118 | 1 | |
| 29 | 11940 | 1 | |
| 30 | 60289 | 1 | |
| 31 | 85110 | 4 | M10 |
| 32 | 86210 | 4 | M10 |
| 33 | 84717 | 8 | M6 x 12 |
| 34 | 70084 | 1 | |
| 35A | 90968 | 2 | L=1170 Links |
| 35B | 94014 | 2 | L=1510 Links |
| 36A | 60352 | 2 | L=1240 Links |
| 36B | 60361 | 2 | L=1580 Links |
| 37 | 27094 | 1 | |
| 38 | 12495 | 1 | |

92125/4

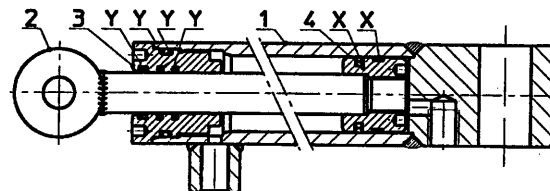
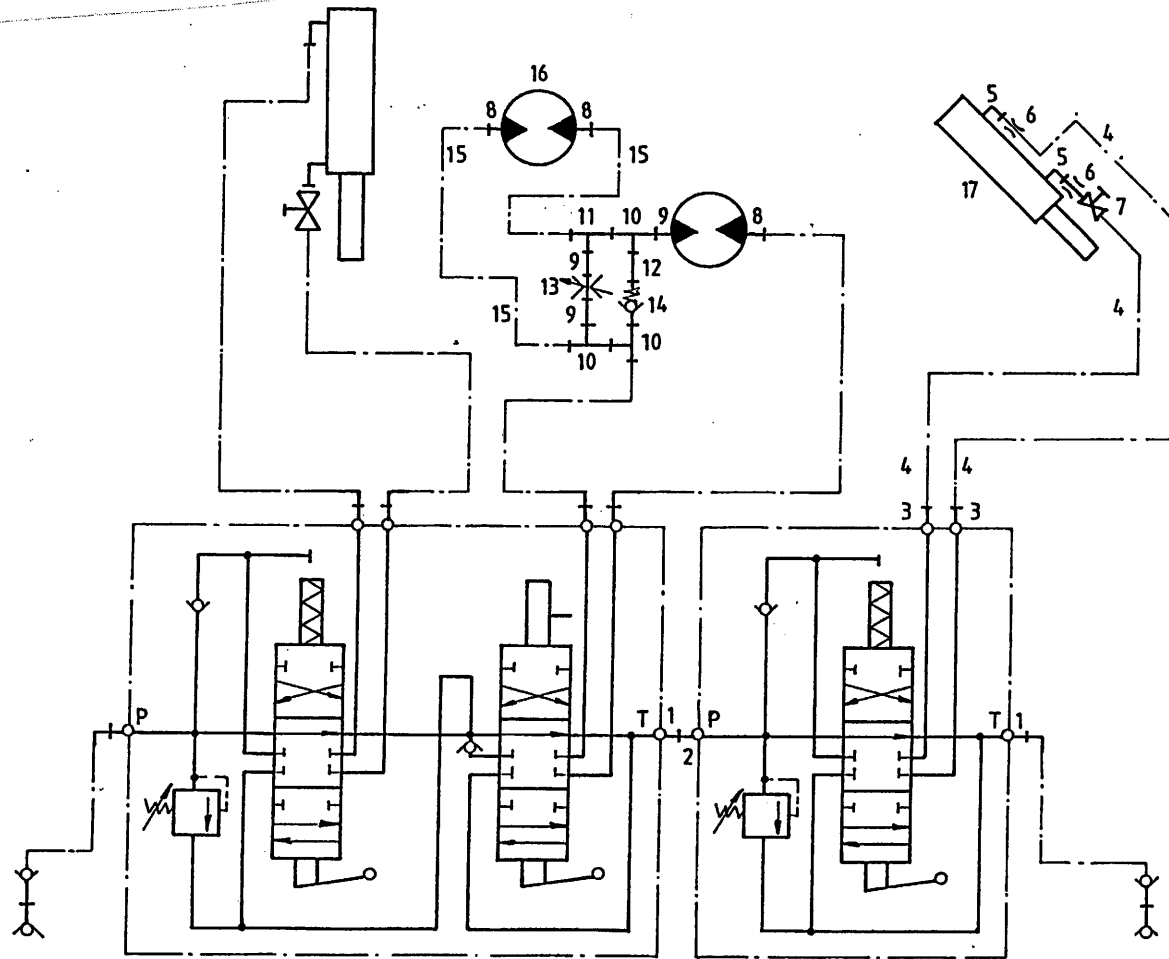
Afbeelding 19A : Opvoerband
 Abbildung 19A : Querband Verlängerung
 Picture 19A : Side conveyor extension



| bestelnummer | ordernummer | Num. à commander | Bestellnummer |
|--------------|-------------|------------------|------------------|
| 39 | 51036 | 1 | |
| 40 | 81236 | 1 | M12 x 35 |
| 41 | 81272 | 1 | M12 x 70 |
| 42 | 28290 | 1 | Rechts |
| 43 | 23304 | 1 | |
| 44 | 85008 | 2 | M8 |
| 45 | 84176 | 2 | M8 x 60 |
| 49 | 27563 | 1 | |
| 50 | 12910 | 1 | Rechts |
| 51A | 60382 | 1 | L=1240 Rechts |
| 51B | 60400 | 1 | L=1580 Rechts |
| 52A | 90814 | 1 | L=1170 Rechts |
| 52B | 90835 | 1 | L=1510 Rechts |
| 53 | 28293 | 1 | Links |
| 54 | 80826 | 8 | M8 x 25 |
| 55 | 80816 | 4 | M8 x 16 |
| 56 | 80616 | 4 | M8 x 16 |
| 57 | 84125 | 1 | M8 x 25 |
| 58 | 28291 | 1 | |
| 59 | 12911 | 1 | |
| 60 | 60374 | 2 | |
| 61 | 90910 | 2 | |
| 62 | 84717 | 4 | M6 x 12 |
| 63 | 84199 | 1 | M10 x 60 |
| 64 | 28094 | 1 | |
| 65 | 31998 | 1 | |
| 66 | 28095 | 1 | |
| 67 | 25422 | 1 | |
| 68 | 12912 | 1 | Rechts |
| 69 | 12909 | 1 | Links |
| 70 | X50117 | 2 | |
| 71 | W50768 | 2 | ½" 3000 RH |
| 72A | 60340 | 1 | L=4570 8/10/1200 |
| 72B | 60351 | 1 | L=4925 1400 |
| 73 | 84175 | 8 | M5 x 25 |
| 74 | 85105 | 8 | M5 |
| 75 | 86205 | 8 | M5 |

92125/4

Afbeelding 19B : Hydrauliek schema opvoerband
 Abbildung 19B : Schaltplan Querband Verlängerung
 Picture 19B : Hydraulic scheme belt extensionn



bestelnummer
 ordernummer
 Num. à commander
 Bestellnummer

| | | | |
|----|--------|---|--------------|
| 1 | 50102 | 2 | |
| 2 | 50132 | 1 | |
| 3 | X51114 | 2 | |
| 4 | W50745 | 2 | 1/4" 4600 RR |
| 5 | X50107 | 2 | |
| 6 | 30726 | 2 | Ø 0,8 |
| 7 | 51027 | 1 | |
| 8 | X50117 | 3 | |
| 9 | 50108 | 3 | |
| 10 | 50303 | 3 | |
| 11 | 50357 | 1 | |
| 12 | 52650 | 1 | L=85 |
| 13 | 53185 | 1 | |
| 14 | 53037 | 1 | |
| 15 | W50768 | 2 | 1/2" 3000 RH |
| 16 | 51083 | 1 | |
| 17 | 51036 | 1 | |

51036

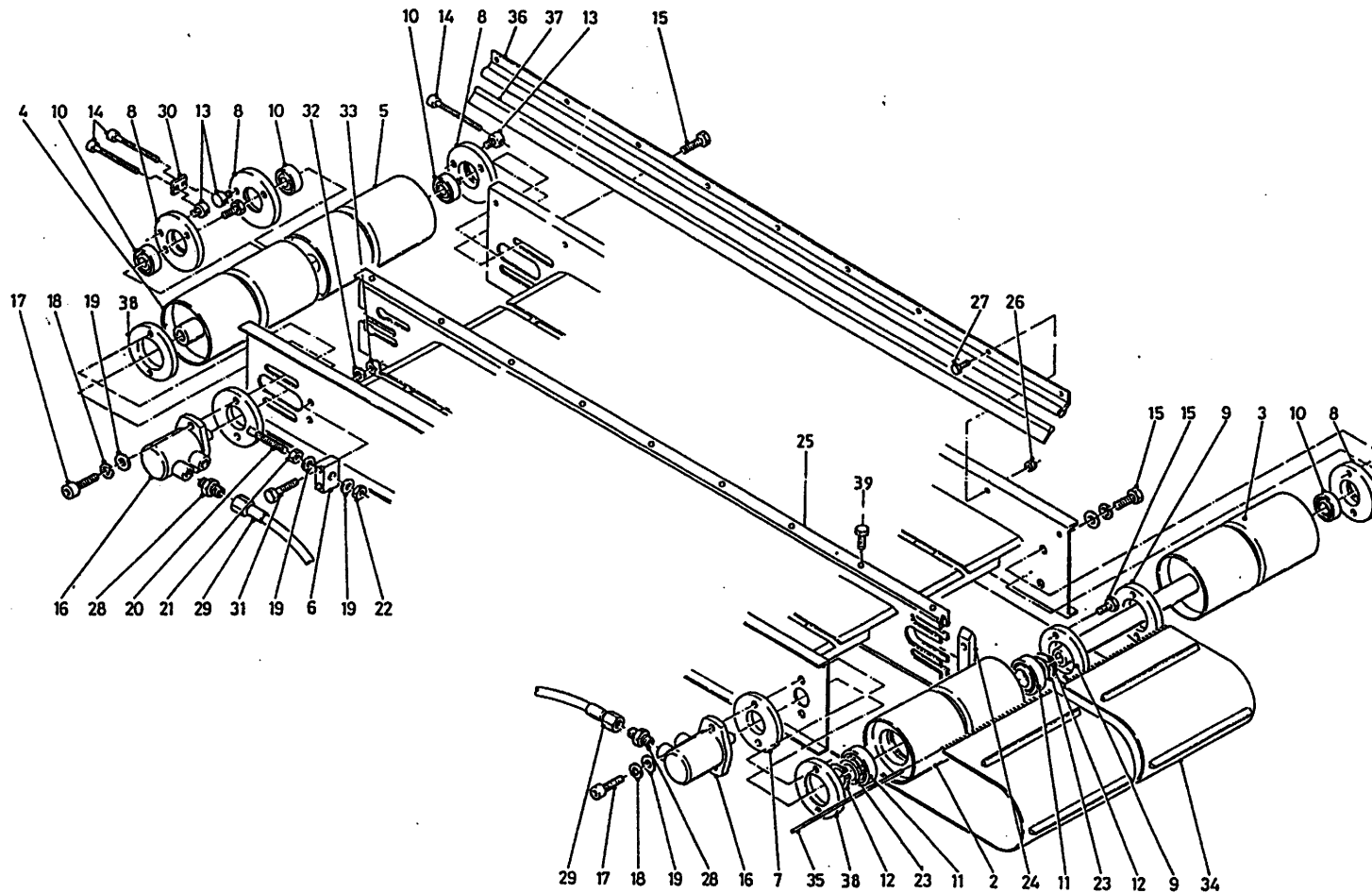
| | | | |
|---|-------|---|--|
| 1 | 11303 | 1 | |
| 2 | 11586 | 1 | |
| 3 | 31297 | 1 | |
| 4 | 31393 | 1 | |
| X | 05262 | 1 | |
| Y | 05263 | 1 | |

51036

92125/4

Afbeelding 20 : Dwarsband twee zijdig Lossend
 Abbildung 20 : Querband Beidseitige Entleerung
 Picture 20 : Dual side conveyer

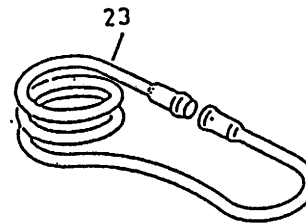
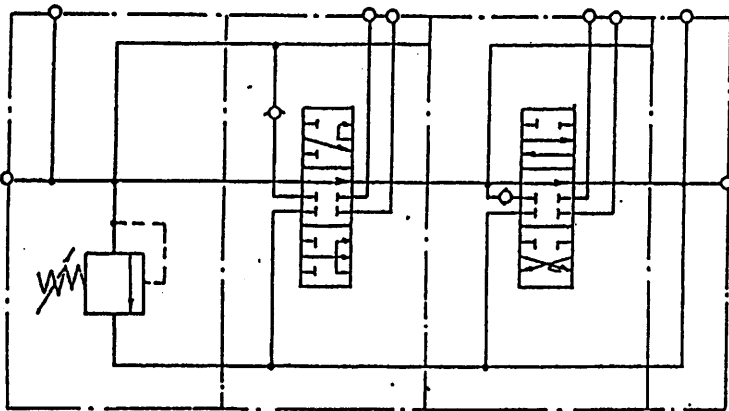
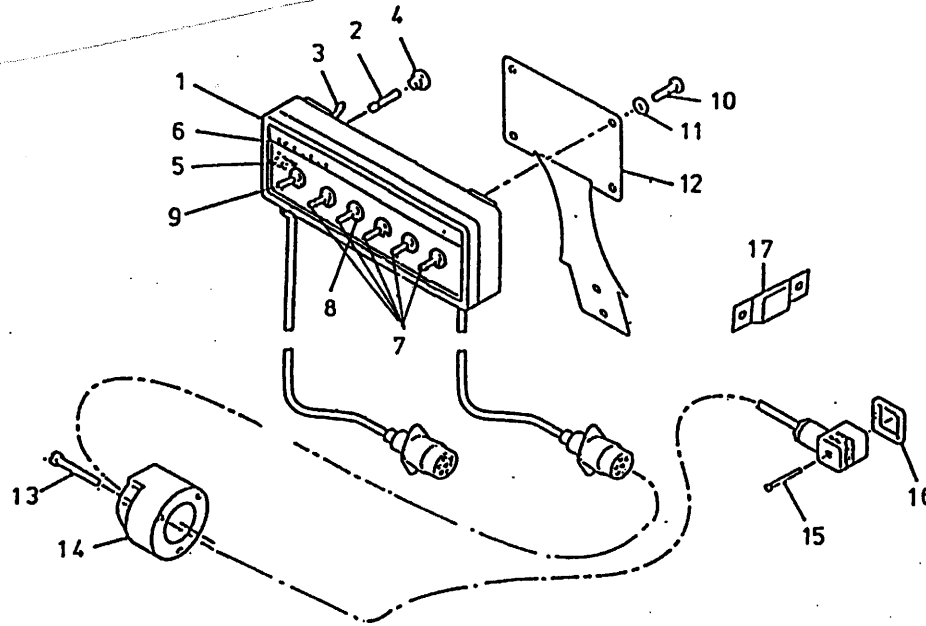
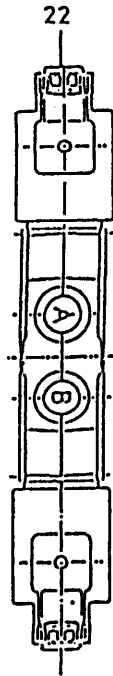
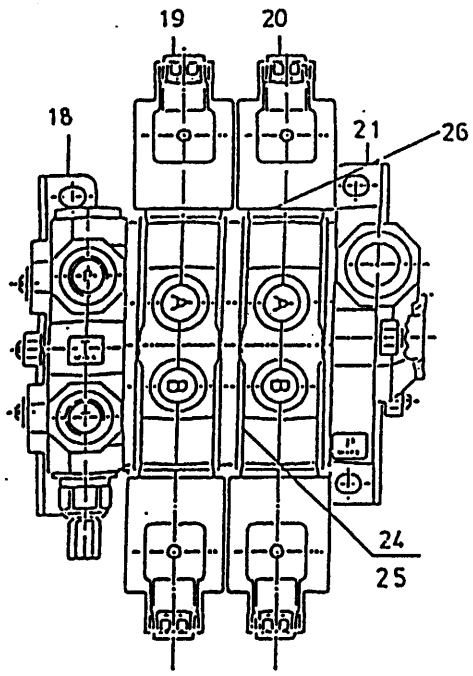
bestelnummer
 ordernummer
 Num. à commander
 Bestellnummer



| | | | |
|-----|--------|----|-------------|
| 1 | 12529 | 1 | |
| 2 | 12510 | 1 | |
| 3 | 12508 | 1 | |
| 4 | 12507 | 1 | |
| 5 | 12509 | 1 | |
| 6 | 27266 | 1 | |
| 7 | 27265 | 1 | |
| 8 | 32020 | 4 | |
| 9 | 32021 | 2 | |
| 10 | 70046 | 4 | 6206 |
| 11 | 70146 | 2 | 6010 |
| 12 | 87050 | 2 | A-50 |
| 13 | 32023 | 3 | |
| 14 | 80890 | 3 | M8 x 100 |
| 15 | 83915 | 12 | M10 x 120 |
| 16A | 51083 | 2 | Bucher 127 |
| 16B | 51130 | 2 | Danfoss 125 |
| 16C | 51129 | 2 | SAM B4 130 |
| 17 | 81260 | 4 | M12 x 60 |
| 18 | 85012 | 4 | M12 |
| 19 | 85112 | 6 | M12 |
| 20 | 12543 | 1 | |
| 21 | 86112 | 1 | M12 |
| 22 | 86212 | 1 | M12 |
| 23 | 85355 | 2 | |
| 24 | 60349 | 2 | |
| 25 | 40630 | 1 | |
| 26 | 86206 | 9 | M6 |
| 27 | 80616 | 9 | M6 x 16 |
| 28 | X50117 | 4 | |
| 29 | W50668 | 4 | ½" 4000 RH |
| 30 | 27196 | 1 | |
| 31 | 80850 | 2 | M8 x 50 |
| 32 | 85108 | 2 | M8 |
| 33 | 86208 | 2 | M8 |
| 34 | 60338 | 2 | |
| 35 | 27502 | 2 | |
| 36 | 90745 | 4 | L=1980 |
| 37 | 60333 | 4 | |
| 38 | 31709 | 2 | |
| 39 | 84813 | 9 | M6 x 10 |

92125/4

Afbeelding 21 : Elektrische afstandsbediening
 Abbildung 21 : Elektrische Fernbedienung
 Picture 21 : Electrical remote control

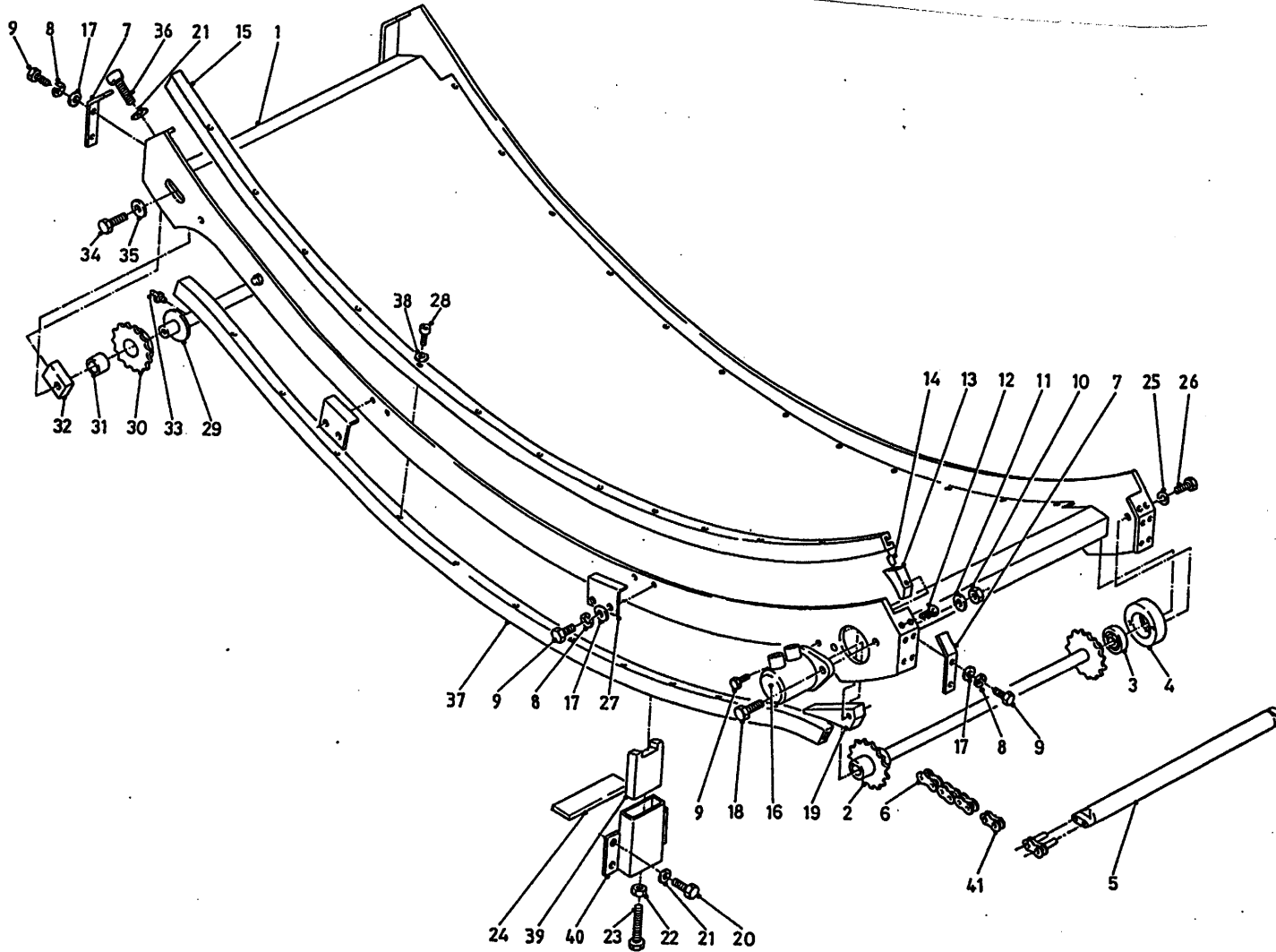


bestelnummer
 ordernummer
 Num. à commander
 Bestellnummer

| | | | |
|----|-------|---|-----------------|
| 1 | 98194 | 1 | |
| 2 | 98053 | 1 | |
| 3 | 98054 | 1 | |
| 4 | 98052 | 1 | |
| 5 | 98051 | 1 | |
| 6 | 91015 | 1 | |
| 7 | 98113 | 5 | |
| 8 | 98056 | 6 | |
| 9 | 98206 | 1 | |
| 10 | 80610 | 4 | M6 x 10 |
| 11 | 85106 | 4 | M6 |
| 12 | 40420 | 1 | |
| 13 | 84476 | 3 | M5 x 30 |
| 14 | 98147 | 1 | |
| 15 | 84711 | 4 | M3 x 35 |
| 16 | 60180 | 4 | |
| 17 | 24644 | 1 | |
| 18 | 53404 | 1 | |
| 19 | 53408 | 1 | |
| 20 | 53425 | 1 | |
| 21 | 53407 | 1 | |
| 22 | 53405 | 1 | |
| 23 | 98150 | 1 | |
| 24 | 78122 | 1 | 17,17 x 1.78/70 |
| 25 | 78133 | 3 | 14 x 1.78/70 |
| 26 | 78062 | 4 | 18,77 x 1.78/70 |
| X | 53426 | 1 | |

92125/4

Afbeelding 22 : Gekromde Losunit
 Abbildung 22 : Gebogene Förderkette
 Picture 22 : Curved conveyor chain

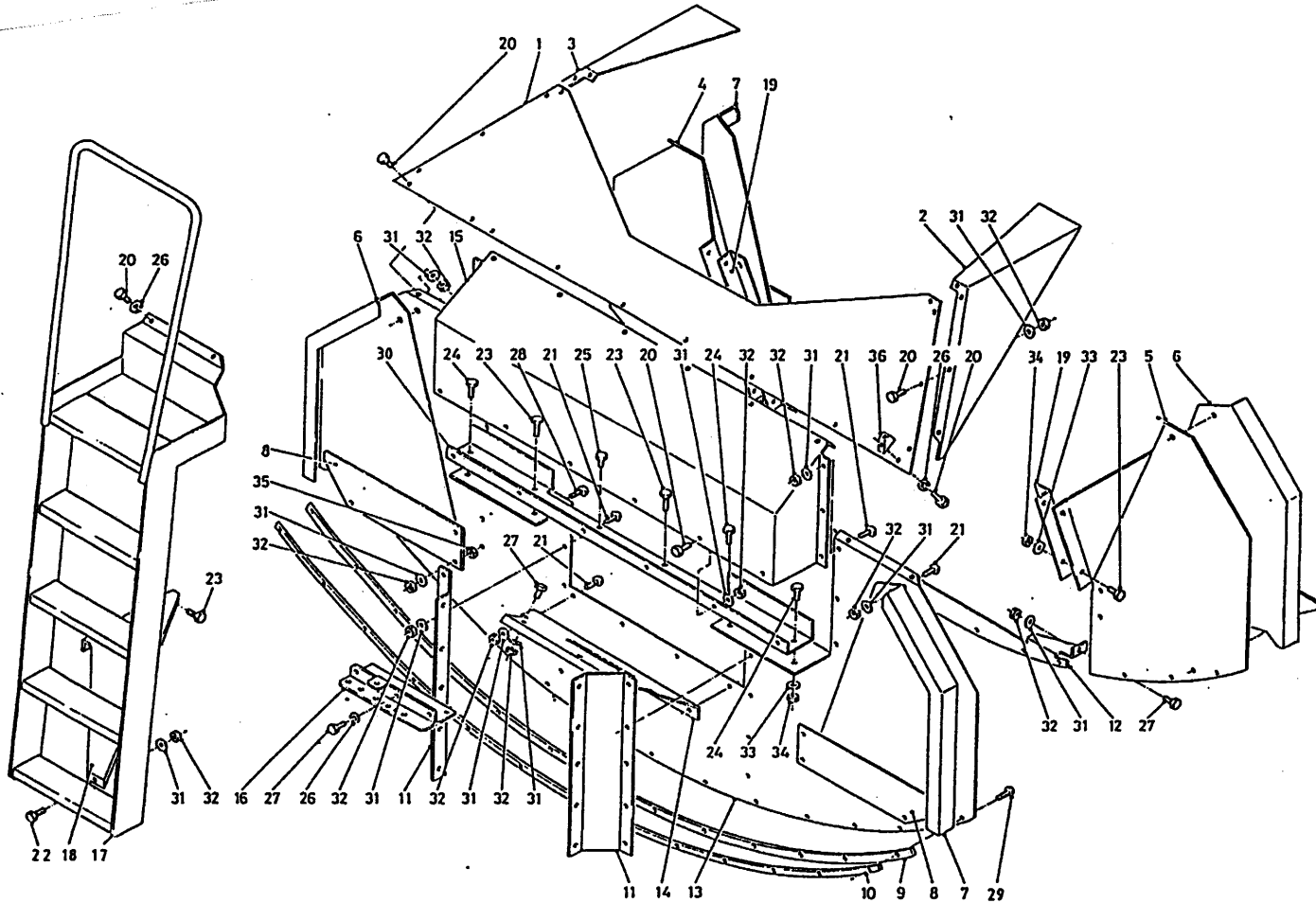


bestelnummer
 ordernummer
 Num. à commander
 Bestellnummer

| | | | |
|----|-------|----|-----------|
| 1 | 12715 | 1 | |
| 2 | 12752 | 1 | |
| 3 | 70068 | 1 | |
| 4 | 32185 | 1 | |
| 5 | 32148 | 12 | |
| 6 | 39174 | 2 | |
| 7 | 27829 | 4 | |
| 8 | 85008 | 12 | M8 |
| 9 | 80816 | 16 | M8 x 16 |
| 10 | 86212 | 2 | M12 |
| 11 | 85012 | 2 | M12 |
| 12 | 84103 | 4 | M8 x 16 |
| 13 | 60378 | 4 | |
| 14 | 88015 | 4 | Ø8 x 16 |
| 15 | 60364 | 2 | |
| 16 | 51117 | 1 | |
| 17 | 85108 | 8 | M8 |
| 18 | 81250 | 2 | M12 x 50 |
| 19 | 60379 | 4 | |
| 20 | 81026 | 16 | M10 x 25 |
| 21 | 85110 | 18 | M10 |
| 22 | 86112 | 4 | M12 |
| 23 | 81210 | 4 | M12 x 100 |
| 24 | 27941 | 4 | |
| 25 | 85010 | 2 | M10 |
| 26 | 81031 | 2 | M10 x 30 |
| 27 | 27818 | 2 | |
| 28 | 84449 | 24 | M8 x 60 |
| 29 | 12760 | 1 | |
| 30 | 97125 | 2 | |
| 31 | 51900 | 2 | |
| 32 | 27963 | 2 | |
| 33 | 89505 | 2 | |
| 34 | 81246 | 2 | M12 x 45 |
| 35 | 85112 | 2 | M12 |
| 36 | 84416 | 2 | M10 x 70 |
| 37 | 60365 | 2 | |
| 38 | 85126 | 24 | M8 |
| 39 | 60363 | 4 | |
| 40 | 12754 | 4 | |
| 41 | 39176 | 2 | |

92125/4

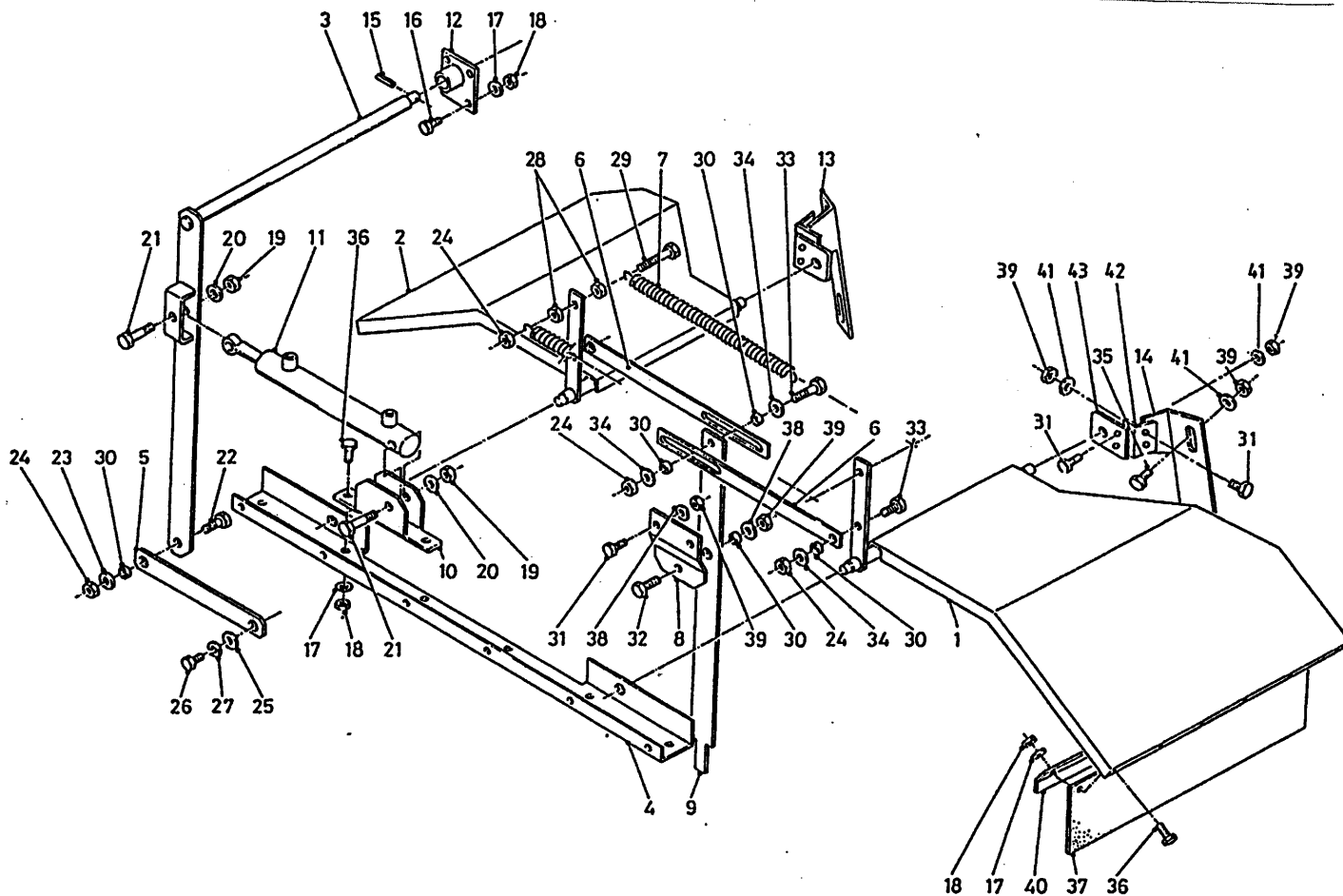
Afbeelding 23 : Beplating gekromde Losunit
 Abbildung 23 : Verkleidung gebogene Förderkette
 Picture 23 : Sheeting curved conveyor chain



| bestelnummer | | ordernummer | |
|------------------|-------|---------------|----------|
| Num. à commander | | Bestellnummer | |
| 1 | 40600 | 1 | |
| 2 | 40601 | 1 | |
| 3 | 40602 | 1 | |
| 4 | 27793 | 1 | |
| 5 | 27792 | 1 | |
| 6 | 27795 | 2 | |
| 7 | 27794 | 2 | |
| 8 | 27797 | 4 | |
| 9 | 60367 | 2 | |
| 10 | 27964 | 2 | |
| 11 | 27816 | 2 | |
| 12 | 27835 | 1 | |
| 13 | 27791 | 1 | |
| 14 | 27826 | 1 | |
| 15 | 40599 | 1 | |
| 16 | 12798 | 1 | |
| 17 | 12757 | 1 | |
| 18 | 27970 | 1 | |
| 19 | 28850 | 2 | |
| 20 | 80816 | 26 | M8 x 16 |
| 21 | 84414 | 20 | M8 x 20 |
| 22 | 80826 | 1 | M8 x 25 |
| 23 | 81031 | 8 | M10 x 30 |
| 24 | 81026 | 4 | M10 x 25 |
| 25 | 81036 | 1 | M10 x 35 |
| 26 | 85008 | 4 | M8 |
| 27 | 80821 | 6 | M8 x 20 |
| 28 | 84431 | 12 | M8 x 30 |
| 29 | 84420 | 26 | M8 x 16 |
| 30 | 27813 | 1 | |
| 31 | 85108 | 85 | M8 |
| 32 | 86208 | 85 | M8 |
| 33 | 85110 | 12 | M10 |
| 34 | 86210 | 12 | M10 |
| 35 | 86108 | 12 | M8 |
| 36 | 28156 | 2 | |

92125/4

Abbeelding 24 : Klep mechanisme gekromde afvoerketting
 Abbildung 24 : Klappen und Bedienungsteile gebogene Förderkette
 Picture 24 : Flap system curved conveyer chain



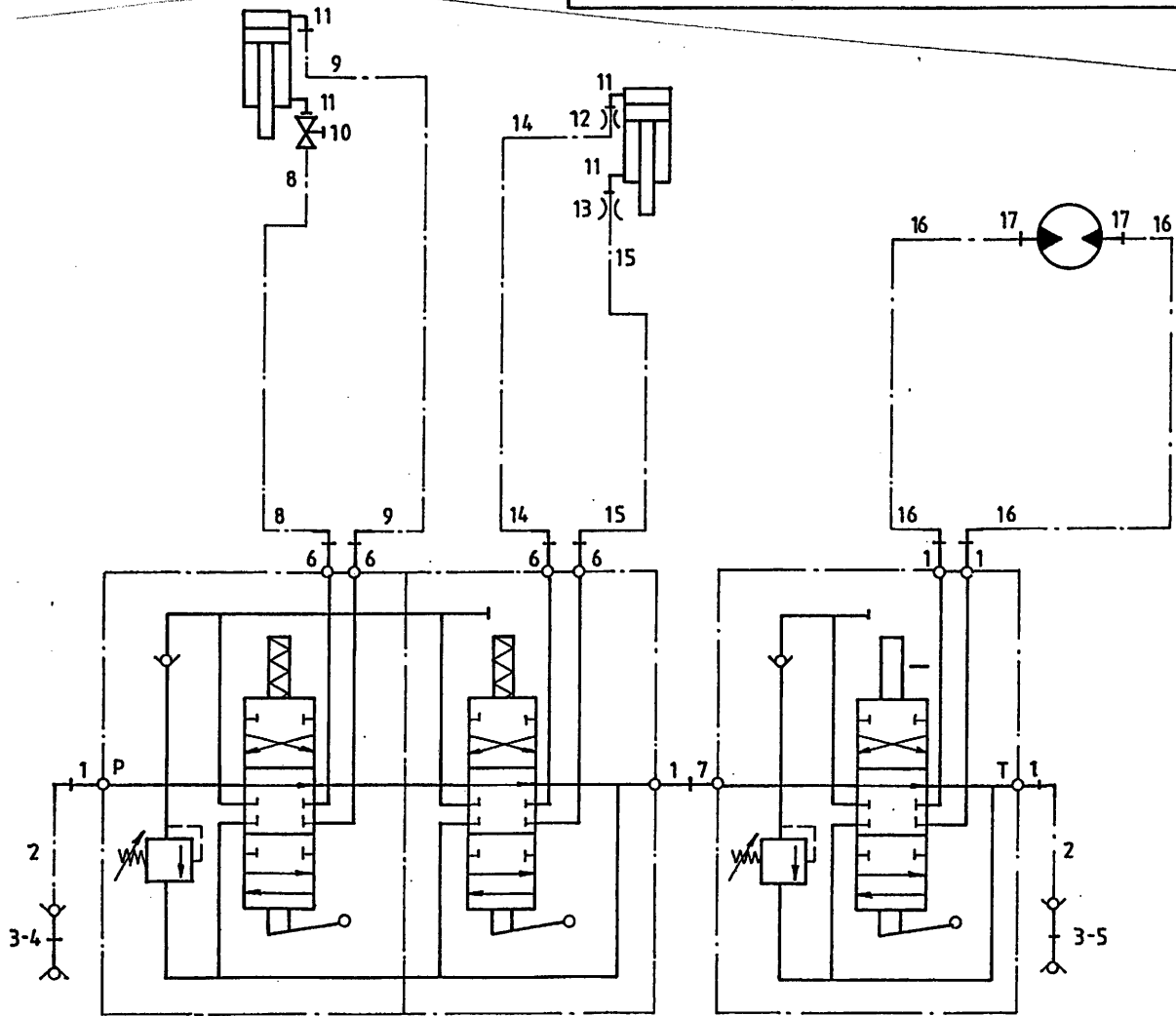
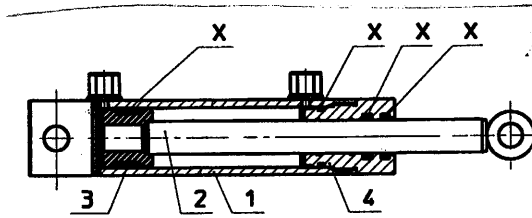
bestelnummer
 ordernummer
 Num. à commander
 Bestellnummer

| | | | |
|----|-------|----|----------|
| 1 | 12707 | 1 | |
| 2 | 12708 | 1 | |
| 3 | 12700 | 1 | |
| 4 | 27813 | 1 | |
| 5 | 27807 | 1 | |
| 6 | 27806 | 2 | |
| 7 | 65089 | 2 | |
| 8 | 27817 | 1 | |
| 9 | 27805 | 1 | |
| 10 | 12699 | 1 | |
| 11 | 51194 | 1 | |
| 12 | 12701 | 1 | |
| 13 | 27814 | 1 | |
| 14 | 27815 | 1 | |
| 15 | 88060 | 1 | Ø8 x 60 |
| 16 | 84815 | 4 | M8 x 25 |
| 17 | 85108 | 18 | M8 |
| 18 | 86208 | 18 | M8 |
| 19 | 86216 | 2 | M16 |
| 20 | 85116 | 2 | M16 |
| 21 | 81690 | 2 | M16 x 90 |
| 22 | 81236 | 1 | M12 x 35 |
| 23 | 85012 | 1 | M12 |
| 24 | 86212 | 6 | M12 |
| 25 | 85113 | 1 | M10 |
| 26 | 81021 | 1 | M10 x 20 |
| 27 | 85010 | 1 | M10 |
| 28 | 86112 | 2 | M10 |
| 29 | 81290 | 2 | M12 x 90 |
| 30 | 32184 | 6 | |
| 31 | 81031 | 10 | M10 x 30 |
| 32 | 81231 | 1 | M12 x 30 |
| 33 | 81241 | 3 | M12 x 40 |
| 34 | 85119 | 4 | M12 |
| 35 | 81045 | 4 | M10 x 45 |
| 36 | 80831 | 12 | M8 x 30 |
| 37 | 60371 | 2 | |
| 38 | 85110 | 3 | M10 |
| 39 | 86210 | 7 | M10 |
| 40 | 28074 | 2 | |
| 41 | 85113 | 16 | M10 |
| 42 | 28890 | 2 | |
| 43 | 28889 | 2 | |

92125/4

Afbeelding 25 : Hydrauliek gekromde losunit
 Abbildung 25 : Schaltplan gebogene Förderkette
 Picture 25 : Hydraulics curved conveyor chain

51194



bestelnummer
 ordernummer
 Num. à commander
 Bestellnummer

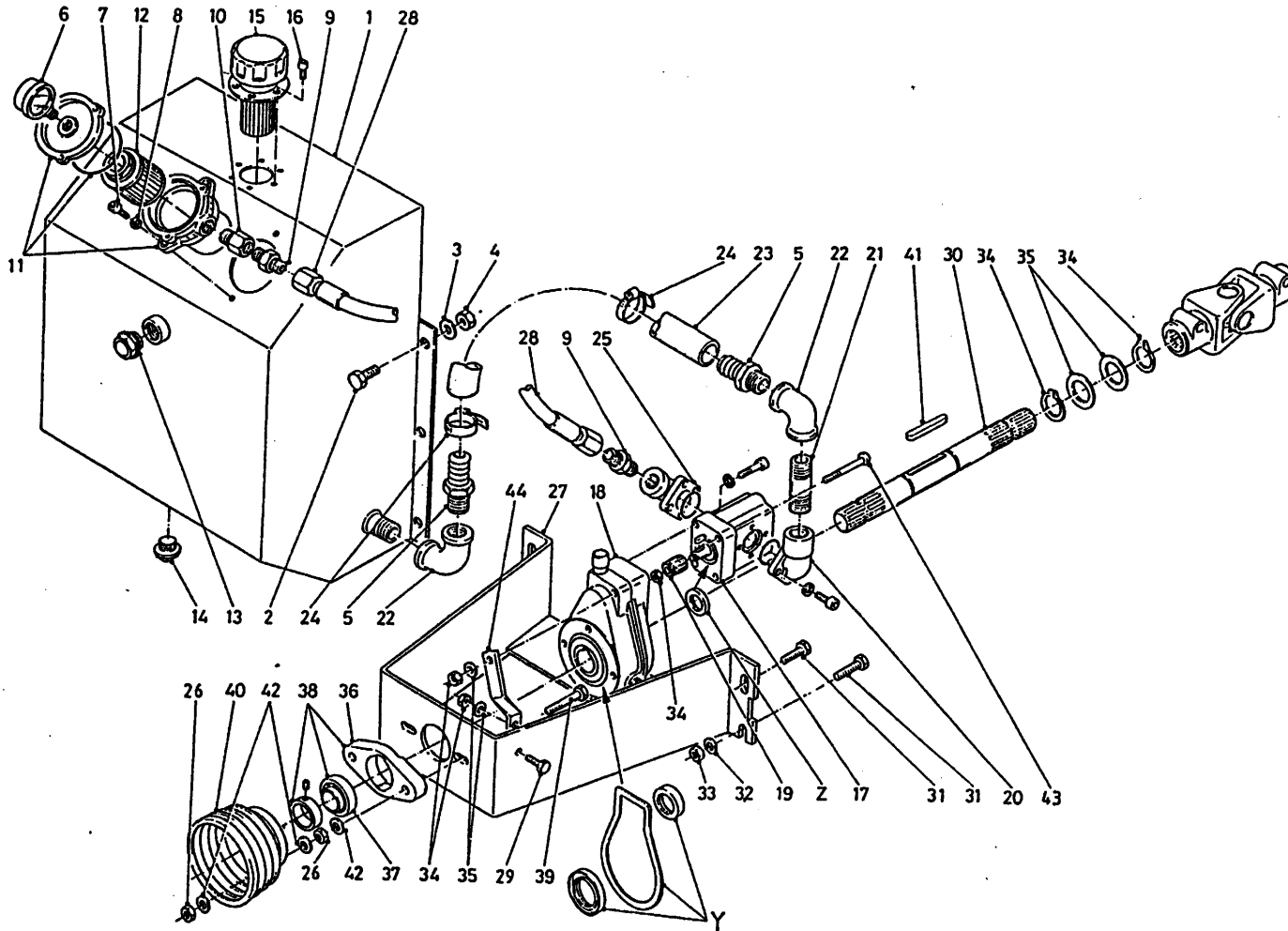
| | | | |
|----|--------|---|------------|
| 1 | X50102 | 5 | |
| 2 | W50643 | 2 | ½" 2500 RH |
| 3 | 53301 | 2 | |
| 4 | 53303 | 1 | Rood |
| 5 | 53326 | 1 | Blauw |
| 6 | X50114 | 4 | |
| 7 | 50132 | 1 | |
| 8 | W50719 | 1 | ¼" 900 RH |
| 9 | W50701 | 1 | ¼" 1900 RH |
| 10 | 51027 | 1 | |
| 11 | X50107 | 4 | |
| 12 | 30941 | 1 | |
| 13 | 30726 | 1 | |
| 14 | W50636 | 1 | ¼" 750 RH |
| 15 | W50719 | 1 | ¼" 900 RH |
| 16 | W50601 | 2 | ½" 1800 RH |
| 17 | X50117 | 2 | |

51194

| | | | |
|---|-------|---|--|
| 1 | 12870 | 1 | |
| 2 | 12871 | 1 | |
| 3 | 30860 | 1 | |
| 4 | 32227 | 1 | |
| X | 05250 | 1 | |

92125/4

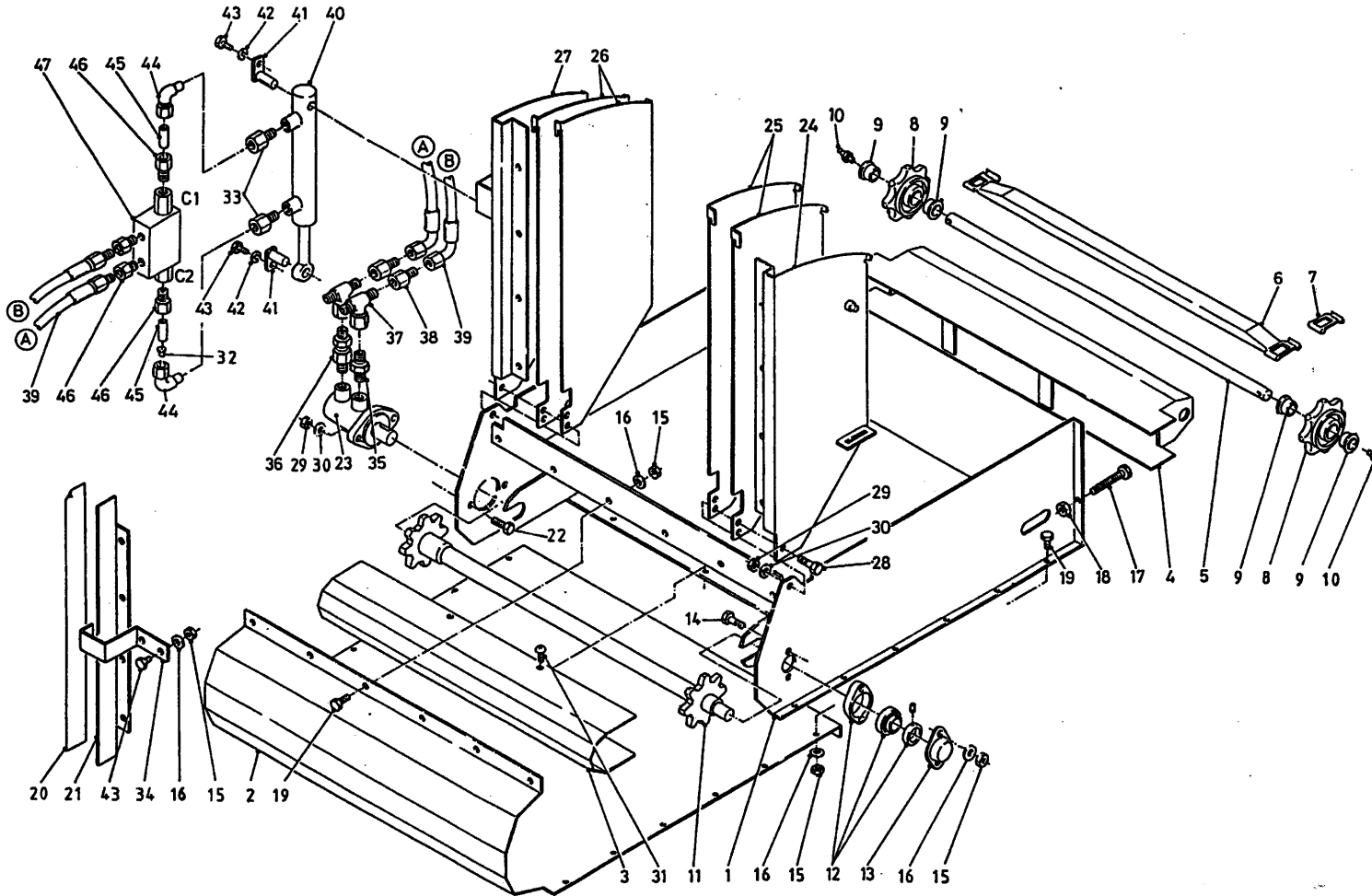
Afbeelding 26 : Pomp unit
 Abbildung 26 : Bord hydraulik
 Picture 26 : Pump unit



| bestelnummer | | ordernummer | |
|------------------|--------|---------------|--------------|
| Num. à commander | | Bestellnummer | |
| 1 | 11069 | 1 | |
| 2 | 81026 | 6 | M10 x 25 |
| 3 | 85110 | 8 | M10 |
| 4 | 86210 | 8 | M10 |
| 5 | 90983 | 2 | |
| 6 | 50094 | 1 | |
| 7 | 84402 | 2 | M8 x 25 |
| 8 | 85008 | 2 | M8 |
| 9 | 50273 | 2 | |
| 10 | 50274 | 1 | |
| 11 | 90188 | 1 | |
| 12 | 90193 | 1 | |
| 13 | 90189 | 1 | |
| 14 | 53318 | 1 | |
| 15 | 90187 | 1 | |
| 16 | 84306 | 6 | M5 x 12 |
| 17 | 50095 | 1 | |
| 18 | 51039 | 1 | |
| 19 | 50093 | 1 | |
| 20 | 50091 | 1 | |
| 21 | 90321 | 1 | |
| 22 | 90322 | 2 | |
| 23 | 51041 | 1 | |
| 24 | 90185 | 2 | |
| 25 | 90320 | 1 | |
| 26 | 86110 | 4 | M10 |
| 27 | 11491 | 1 | |
| 28 | W52638 | 2 | 3/8" 1000 RH |
| 29 | 81031 | 1 | M10 x 30 |
| 30 | 32263 | 1 | L=1175 |
| 31 | 81236 | 4 | M12 x 35 |
| 32 | 85112 | 4 | M12 |
| 33 | 86212 | 4 | M12 |
| 34 | 87035 | 2 | |
| 35 | 85335 | 2 | |
| 36 | 70089 | 1 | |
| 37 | 70090 | 1 | |
| 38 | 70059 | 1 | |
| 39 | 81061 | 2 | M10 x 60 |
| 40 | 90284 | 1 | |
| 41 | 88360 | 1 | 10 x 8 x 60 |
| 42 | 85113 | 6 | M10 |
| 43 | 84823 | 1 | M10 x 60 |
| 44 | 28772 | 1 | |
| Y | 05215 | 1 | |
| Z | 05216 | 1 | |

92125/4

Afbeelding 27A : Opvoerketting
 Abbildung 27A : Schräg förderkette
 Picture 27A : Extension chain



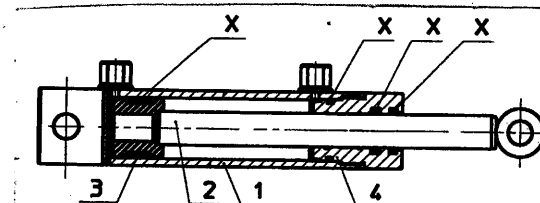
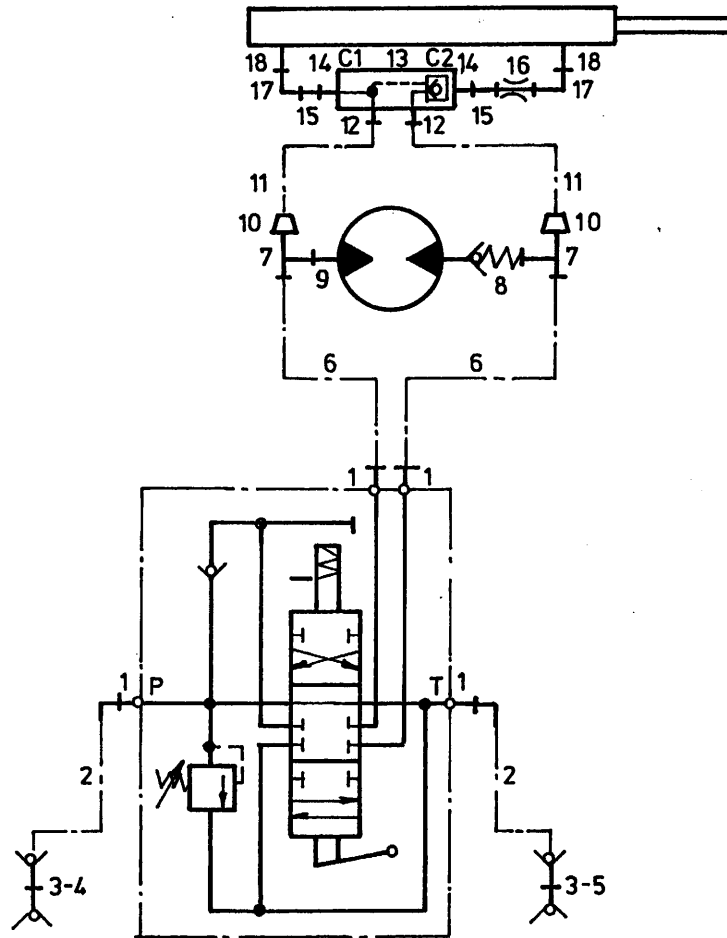
| bestelnummer | | ordernummer | |
|------------------|--------|---------------|-------------|
| Num. à commander | | Bestellnummer | |
| 1 | 12907 | 1 | L=900 |
| 2 | 28559 | 1 | |
| 3 | 28465 | 1 | |
| 4 | 12921 | 1 | |
| 5 | 32229 | 1 | |
| 6 | 12943 | 6 | |
| 7 | 39010 | 72 | |
| 8 | 30794 | 2 | |
| 9 | 51767 | 4 | |
| 10 | 89505 | 2 | |
| 11 | 12915 | 1 | |
| 12 | 70084 | 1 | |
| 13 | 23304 | 1 | |
| 14 | 80840 | 2 | M8 x 40 |
| 15 | 86208 | 22 | M8 |
| 16 | 85108 | 24 | M8 |
| 17 | 81017 | 2 | M10 x 150 |
| 18 | 86110 | 2 | M10 |
| 19 | 84805 | 18 | M8 x 20 |
| 20 | 91143 | 1 | |
| 21 | 28552 | 1 | |
| 22 | 81250 | 2 | M12 x 50 |
| 23 | 51117 | 1 | |
| 24 | 12923 | 1 | |
| 25 | 28536 | 2 | |
| 26 | 28554 | 2 | |
| 27 | 12924 | 1 | |
| 28 | 81650 | 2 | M16 x 50 |
| 29 | 86216 | 2 | M16 |
| 30 | 85116 | 4 | M16 |
| 31 | 84926 | 4 | M10 x 19 |
| 32 | 30726 | 1 | Ø 0,8 |
| 33 | 50104 | 2 | |
| 34 | 28553 | 1 | |
| 35 | X50117 | 1 | |
| 36 | 53131 | 1 | 30 Bar |
| 37 | X50362 | 2 | |
| 38 | X50304 | 2 | |
| 39 | W50620 | 2 | 1/4" 600 RH |
| 40 | 51194 | 1 | |
| 41 | 12954 | 2 | |
| 42 | 85008 | 2 | M8 |
| 43 | 80816 | 2 | M8 x 16 |
| 44 | 50147 | 2 | |
| 45 | 52661 | 2 | L=44 |
| 46 | X50124 | 4 | |
| 47 | 53450 | 1 | |

92125/4

Afbeelding 27B : Hydrauliek opvoerketting

Abbildung 27B : Hydraulikplan Schräg förderkette

Picture 27B : Hydraulics side conveyor chain



51194

bestelnummer
ordernummer
Num. à commander
Bestellnummer

| | | | |
|----|--------|---|------------|
| 1 | X50102 | 4 | |
| 2 | W50643 | 2 | ½" 2500 RH |
| 3 | 53301 | 2 | |
| 4 | 53303 | 1 | Rood |
| 5 | 53326 | 1 | Blauw |
| 6 | W50668 | 2 | ½" 4000 RH |
| 7 | X50362 | 2 | |
| 8 | 53131 | 1 | 30 bar |
| 9 | X50117 | 1 | |
| 10 | X50304 | 2 | |
| 11 | W50620 | 2 | ¼" 600 RH |
| 12 | X50124 | 2 | |
| 13 | 53450 | 1 | |
| 14 | 50124 | 2 | |
| 15 | 52661 | 2 | L=44 |
| 16 | 30726 | 1 | Ø 0,8 |
| 17 | 50147 | 2 | |
| 18 | 50104 | 2 | |

51194

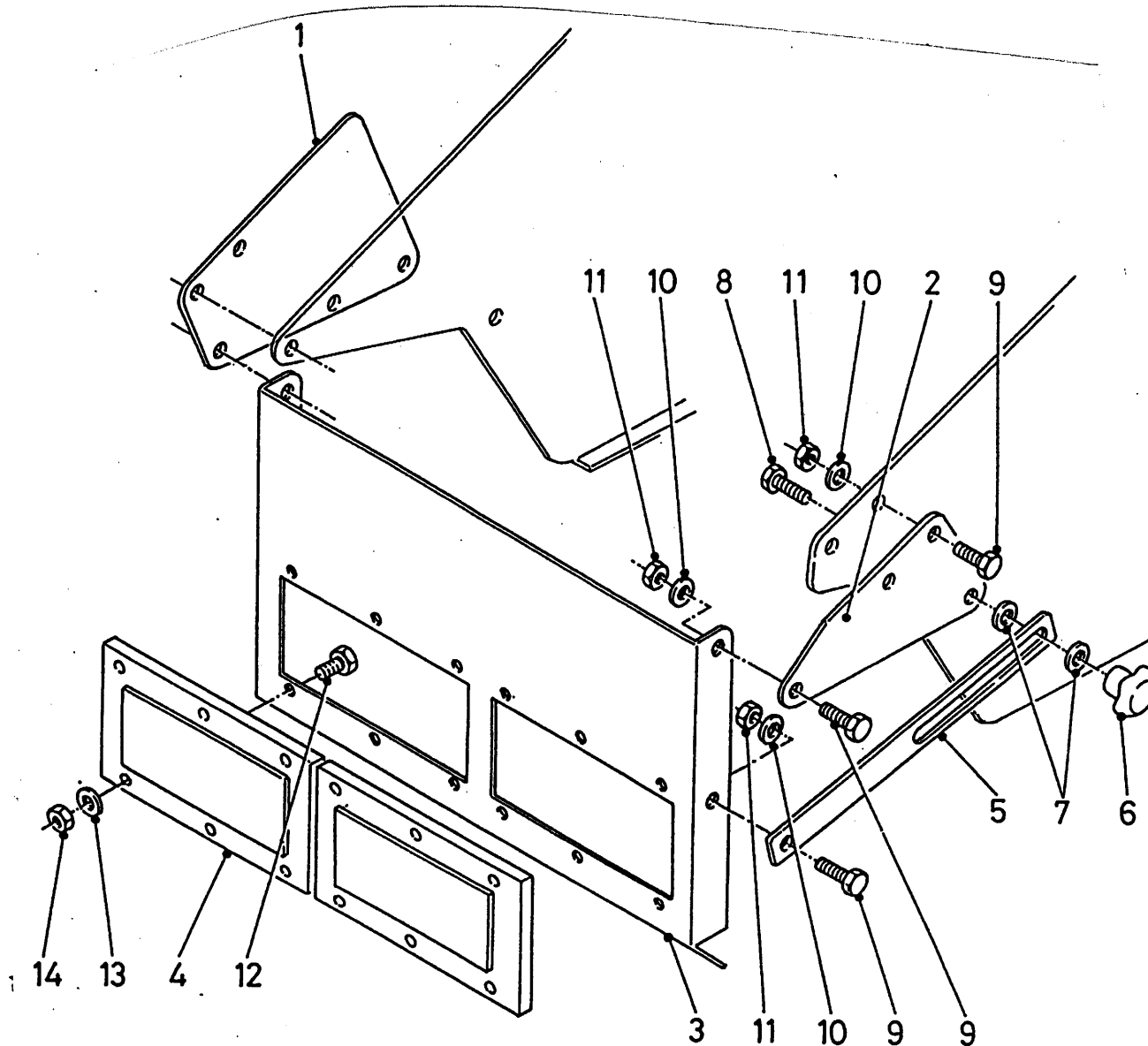
| | | | |
|---|-------|---|--|
| 1 | 12870 | 1 | |
| 2 | 12871 | 1 | |
| 3 | 30860 | 1 | |
| 4 | 32227 | 1 | |
| X | 05250 | 1 | |

92125/4

Afbeelding 28B : Magneet opvoerband

Abbildung 28B : Magnet für Querbandverlängerung

Picture 28B : Magnet for belt extension



bestelnummer
ordernummer
Num. à commander
Bestellnummer

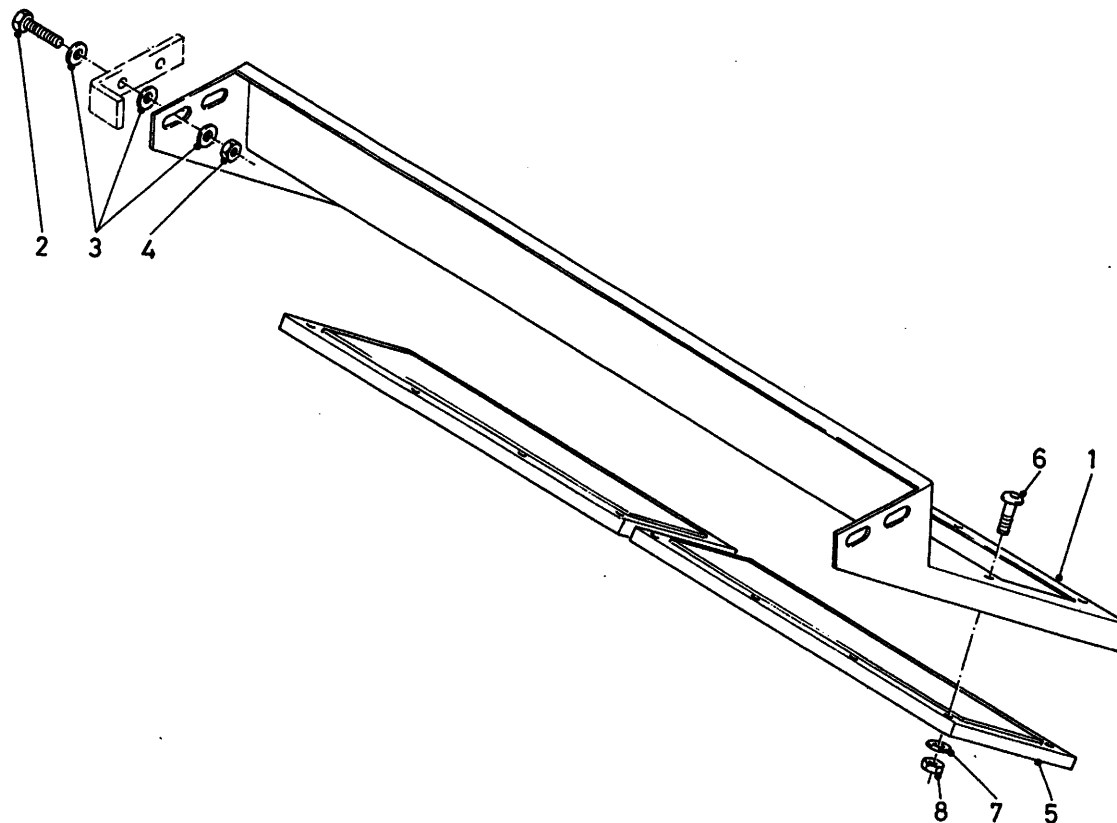
| | | | |
|----|-------|----|----------|
| 1 | 28948 | 1 | |
| 2 | 28947 | 1 | |
| 3 | 28949 | 1 | |
| 4 | 90972 | 2 | |
| 5 | 28950 | 1 | |
| 6 | 60024 | 1 | |
| 7 | 60022 | 1 | |
| 8 | 83030 | 1 | M10 x 30 |
| 9 | 81231 | 7 | M12 x 30 |
| 10 | 85112 | 16 | M12 |
| 11 | 86212 | 7 | M12 |
| 12 | 84805 | 12 | M8 x 20 |
| 13 | 85108 | 12 | M8 |
| 14 | 86208 | 12 | M8 |

92125/4

Afbeelding 28C : Magneet ZK Machines

Abbildung 28C : Magnet ZK Machine

Picture 28C : Magnet ZK machine



bestelnummer

ordernummer

Num. à commander

Bestellnummer

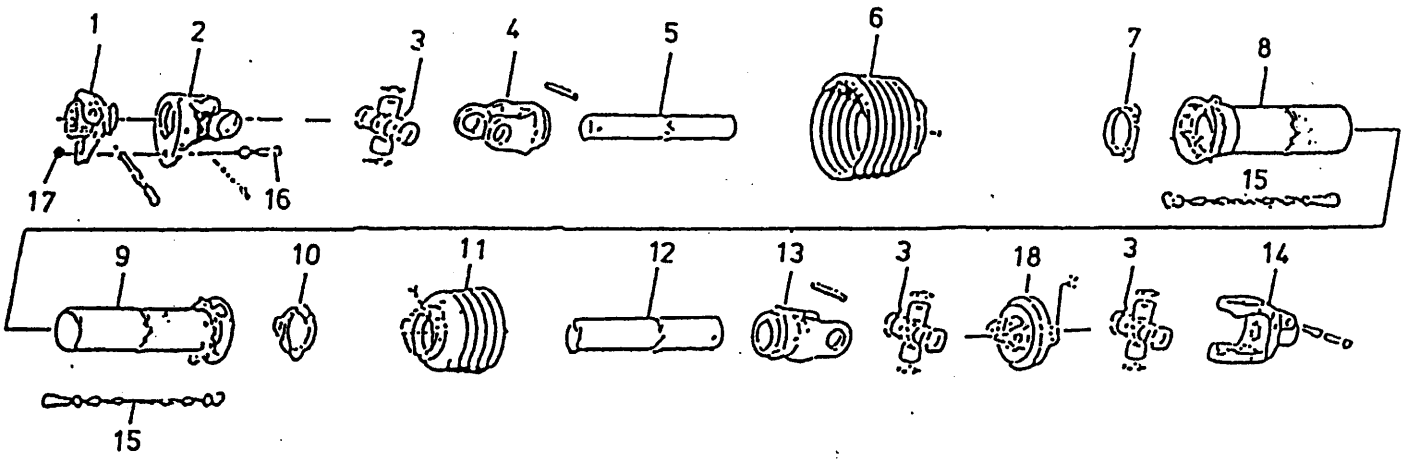
| | | | |
|---|-------|----|----------|
| 1 | 12996 | 1 | |
| 2 | 81231 | 4 | M12 x 30 |
| 3 | 85112 | 8 | M12 |
| 4 | 86212 | 8 | M12 |
| 5 | 90971 | 1 | |
| 6 | 84805 | 16 | M8 x 20 |
| 7 | 85108 | 16 | M8 |
| 8 | 86208 | 16 | M8 |

92125/4

Afbeelding 29A : Aftakas 8/10/1200
 Abbildung 29A : Gelenkwelle 8/10/1200
 Picture 29A : PTO shaft 8/10/1200

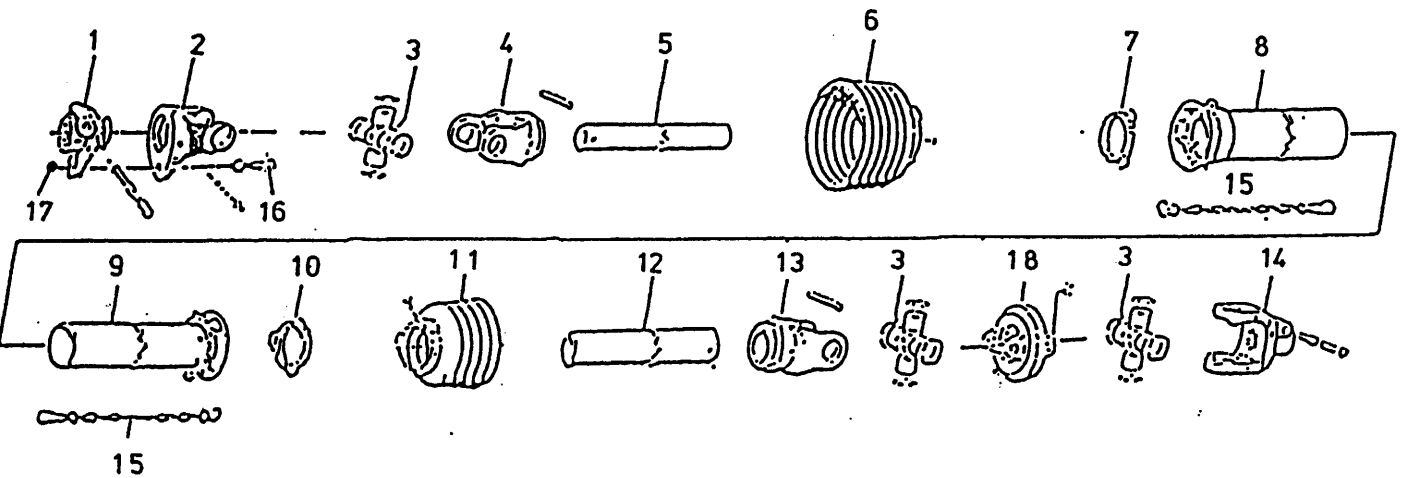
bestelnummer
 ordernummer
 Num. à commander
 Bestellnummer

90495 800 → 02 1000 → 02 1200 VL



| | | | |
|----|-------|---|-------------|
| 1 | 90613 | 1 | |
| 2 | 90614 | 1 | |
| 3 | 90615 | 2 | |
| 4 | 90616 | 1 | |
| 5 | 90617 | 1 | L=1210 |
| 6 | 90618 | 1 | |
| 7 | 90619 | 1 | |
| 8 | 90620 | 1 | |
| 9 | 90621 | 1 | |
| 10 | 90622 | 1 | |
| 11 | 90623 | 1 | |
| 12 | 90624 | 1 | L=1210 |
| 13 | 90625 | 1 | |
| 14 | 90626 | 1 | |
| 15 | 90266 | 2 | |
| 16 | 80860 | 1 | M8 x 60 8.8 |
| 17 | 86208 | 1 | M8 |
| 18 | 90812 | 1 | |

90794 - 90795 800 → 03 1000 → 03



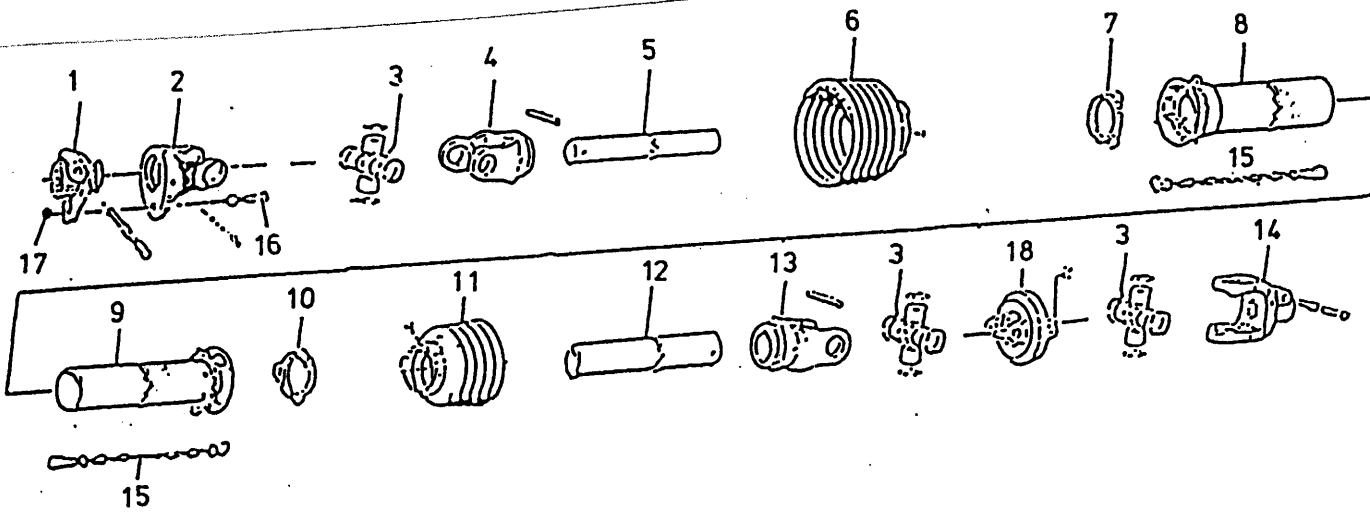
| | | | |
|-----|-------|---|-------------|
| 1 | 90613 | 1 | |
| 2 | 90614 | 1 | |
| 3 | 90615 | 1 | |
| 4 | 94005 | 1 | |
| 5A | 90803 | 1 | L=1210 |
| 5B | 90821 | 1 | L=1610 |
| 6 | 90618 | 1 | |
| 7 | 90619 | 1 | |
| 8A | 90826 | 1 | L=1210 |
| 8B | 90824 | 1 | L=1610 |
| 9A | 90825 | 1 | L=1210 |
| 9B | 90823 | 1 | L=1610 |
| 10 | 90622 | 1 | |
| 11 | 90623 | 1 | |
| 12A | 90804 | 1 | L=1210 |
| 12B | 90822 | 1 | L=1610 |
| 13 | 94006 | 1 | |
| 14 | 90626 | 1 | |
| 15 | 90266 | 1 | |
| 16 | 80860 | 1 | M8 x 60 8.8 |
| 17 | 86208 | 1 | M8 |
| 18 | 90812 | 1 | |

92125/4

Afbeelding 29B : Aftakas 12/1400

Abbildung 29B : Gelenkwelle 12/1400

Picture 29B : PTO shaft 12/1400

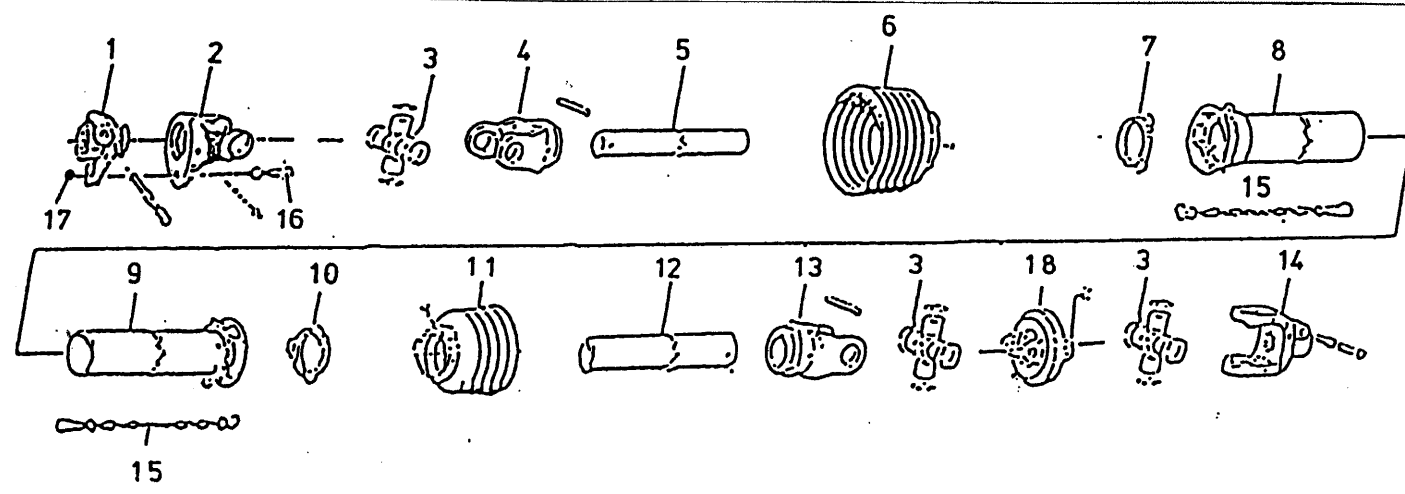


bestelnummer
 ordernummer
 Num. à commander
 Bestellnummer

90881 1200 ZK/AL

| | | | |
|----|-------|---|-------------|
| 1 | 90613 | 1 | |
| 2 | 90614 | 1 | |
| 3 | 90615 | 3 | |
| 4 | 90616 | 1 | |
| 5 | 90935 | 1 | |
| 6 | 90936 | 1 | |
| 7 | 90619 | 1 | |
| 8 | 90824 | 1 | |
| 9 | 90823 | 1 | |
| 10 | 90622 | 1 | |
| 11 | 90937 | 1 | |
| 12 | 90938 | 1 | |
| 13 | 90625 | 1 | |
| 14 | 90626 | 1 | |
| 15 | 90266 | 1 | |
| 16 | 80860 | 1 | M8 x 60 8.8 |
| 17 | 86208 | 1 | M8 |
| 18 | 90812 | 1 | |

90496 1400 VL



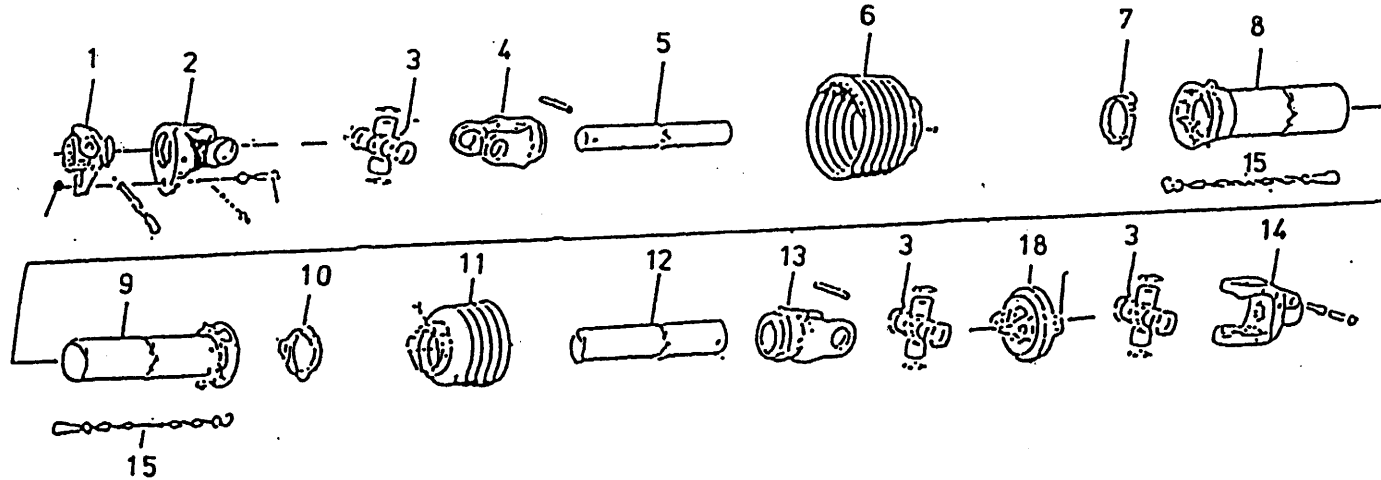
| | | | |
|----|-------|---|--------------|
| 1 | 90658 | 1 | |
| 2 | 90659 | 1 | |
| 3 | 90660 | 2 | |
| 4 | 90661 | 1 | |
| 5 | 90662 | 1 | |
| 6 | 90663 | 1 | |
| 7 | 90664 | 1 | |
| 8 | 90665 | 1 | |
| 9 | 90666 | 1 | |
| 10 | 90667 | 1 | |
| 11 | 90668 | 1 | |
| 12 | 90669 | 1 | |
| 13 | 90670 | 1 | |
| 14 | 90671 | 1 | |
| 15 | 90272 | 1 | |
| 16 | 81060 | 1 | M10 x 60 8.8 |
| 17 | 86210 | 1 | M10 |
| 18 | 90813 | 1 | |

92125/4

Afbeelding 29C : Aftakas 1400
 Abbildung 29C : Gelenkwelle 1400
 Picture 29C : PTO shaft 1400

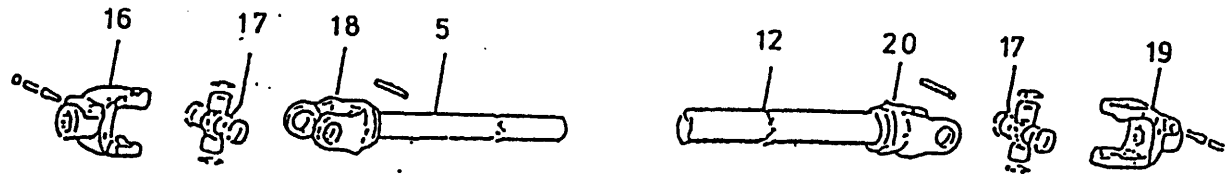
bestelnummer
 ordernummer
 Num. à commander
 Bestellnummer

90882 1400 AL/ZK



| | | | |
|----|-------|---|--------------|
| 1 | 90912 | 1 | |
| 2 | 90913 | 1 | |
| 3 | 90914 | 3 | |
| 4 | 90915 | 1 | |
| 5 | 90916 | 1 | |
| 6 | 90917 | 1 | |
| 7 | 90918 | 1 | |
| 8 | 90919 | 1 | |
| 9 | 90920 | 1 | |
| 10 | 90921 | 1 | |
| 11 | 90922 | 1 | |
| 12 | 90923 | 1 | |
| 13 | 90924 | 1 | |
| 14 | 90926 | 1 | |
| 15 | 90266 | 1 | |
| 16 | 81060 | 1 | M10 x 60 8.8 |
| 17 | 86210 | 1 | M10 |
| 18 | 90925 | 1 | |

90559 / 90560 / 90627 / 90604



| | | | |
|-----|-------|---|-------------|
| 16A | 90575 | 1 | Ø 48 |
| 16B | 90562 | 1 | 1 3/4" - 20 |
| 16C | 90563 | 1 | 1 3/8" - 6 |
| 16D | 90605 | 1 | Ø 45 |
| 17 | 90561 | 2 | |
| 18 | 90606 | 1 | |
| 19 | 90608 | 1 | |
| 20 | 90607 | 1 | |



Himmanweg 19
7575 BE Oldenzaal - Holland
Postbus 134
7570 AC Oldenzaal - Holland
e-mail: info@triolet.nl
<http://www.triolet.nl>

Tel.: 0541 - 57 21 21 / (+) 31 - 541 - 57 21 21
Fax: 0541 - 57 21 25 / (+) 31 - 541 - 57 21 25

Voor onderdelen / Für Ersatzteile / For spare parts / Pour pièces de réchange:

Tel.: 0541 - 57 21 36 / (+) 31 - 541 - 57 21 36
Fax: 0541 - 57 21 40 / (+) 31 - 541 - 57 21 40