

# Trioliet Mullos

Zelfladende mengdoseerwagen  
Selbstladender Futter-, Misch- und Verteilwagen

## Triomix



Onderdelen- en Werkplaatshandboek  
Ersatzteilliste und Werkstatthandbuch

Bestelnummer/Bestellnummer 92126/5  
Geldig vanaf productieserie nr./Gültig ab Prod. Series No.: 01

## INHOUDSOPGAVE

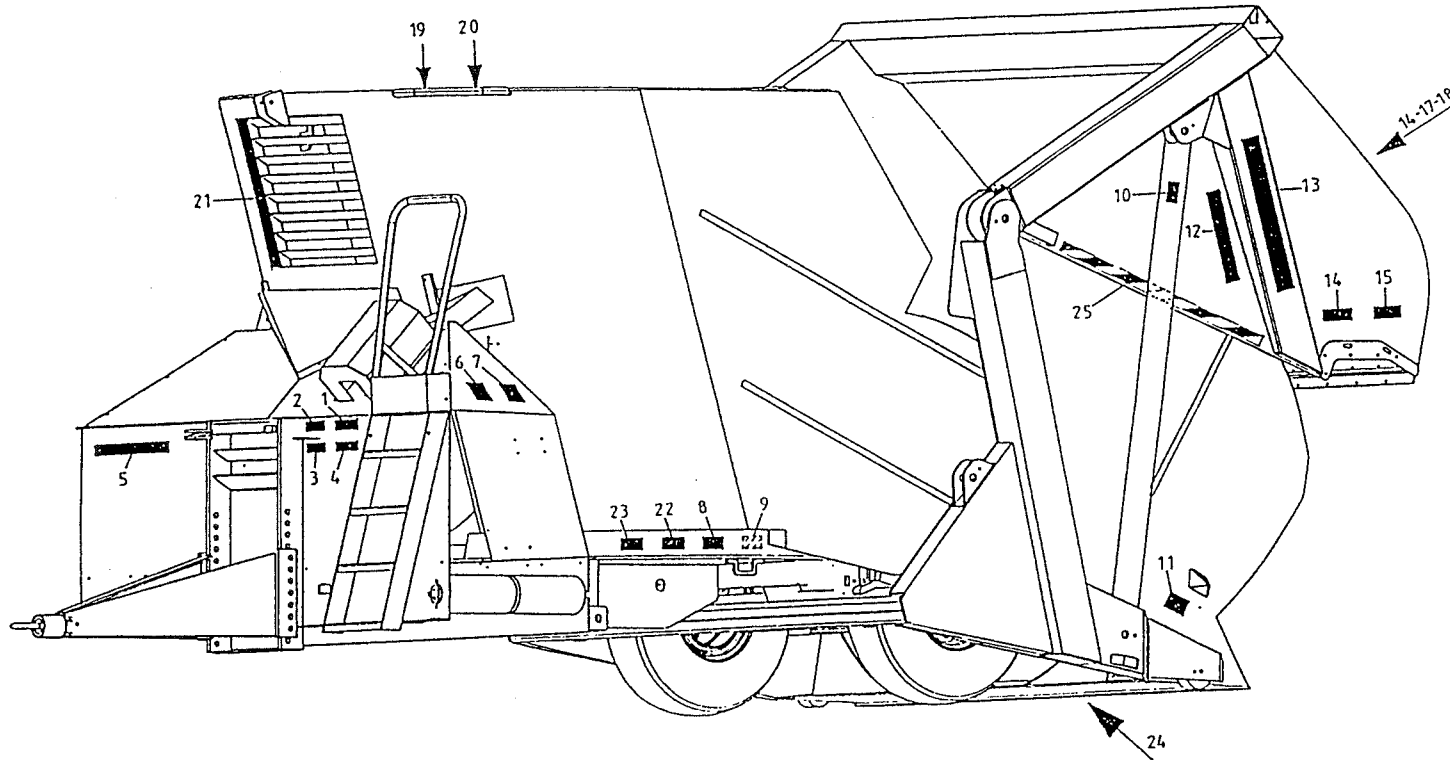
|      |    |   |
|------|----|---|
| Afb. | 1  | Stickers  |
|      | 2  | Dissel  |
| 3A   |    | Wielas met hydraulisch remsysteem 8m <sup>3</sup> / 10m <sup>3</sup> / 12m <sup>3</sup>     |
| 3B   |    | Wielas met hydraulisch remsysteem 14m <sup>3</sup>  |
| 3C   |    | Wielas ongeremd 8m <sup>3</sup> / 10m <sup>3</sup> / 12m <sup>3</sup>                       |
| 3D   |    | Speciale wielen   |
|      | 4  | Frame   |
|      | 5  | Dwarsband   |
| 6A   |    | Aandrijving en mengvijzel 8m <sup>3</sup> / 10m <sup>3</sup> / 12m <sup>3</sup>             |
| 6B   |    | Aandrijving en mengvijzel 14m <sup>3</sup>  |
| 6C   |    | Vijzelmessen  |
| 7A   |    | Snij - Laadklep   |
| 7B   |    | Afdichtingen  |
| 8A   |    | Laadklepcilinder / Doseerklapcilinder 8m <sup>3</sup> / 10m <sup>3</sup> / 12m <sup>3</sup> |
| 8B   |    | Laadklepcilinder 14m <sup>3</sup>   |
| 9A   |    | Mastercilinder / Slavecilinder 8m <sup>3</sup> / 10m <sup>3</sup> / 12m <sup>3</sup>        |
| 9B   |    | Mastercilinder / Slavecilinder 14m <sup>3</sup>   |
| 10A  |    | Snijstelsysteem → 03  |
| 10B  |    | Snijstelsysteem ↳ 04  |
|      | 11 | Slangen snijbord  |
|      | 12 | Stuurblok inwendig  |
|      | 13 | Achter- en zijmescilinder   |
|      | 14 | Gelijkloopbewakingssysteem  |
|      | 15 | Mechanische bediening   |
|      | 16 | Elektrische bediening   |
|      | 17 | Elektronische Weeginstallatie   |
| 18A  |    | Vertragingskast 8m <sup>3</sup> / 10m <sup>3</sup> / 12m <sup>3</sup>                       |
| 18B  |    | Vertragingskast 14m <sup>3</sup>  |
|      | 19 | Hydraulische bediening contrames  |
|      | 20 | Hydraulische steunpoot  |
|      | 21 | Verlichtingsset   |
|      | 22 | Pneumatische beremming  |
|      | 23 | Slangenschema mechanische bediening   |
|      | 24 | Slangenschema elektrische bediening   |
|      | 25 | Elektrische bedieningskast + schema   |
|      | 26 | Aftakas   |

## INHALTVERZEICHNIS

|      |    |  |
|------|----|--|
| Abb. | 1  | Aufkleber  |
|      | 2  | Deichsel   |
| 3A   |    | Radachse mit hydraulischer Bremse 8m <sup>3</sup> / 10m <sup>3</sup> / 12m <sup>3</sup>            |
| 3B   |    | Radachse mit hydraulischer Bremse 14m <sup>3</sup>   |
| 3C   |    | Radachse ohne Bremse 8m <sup>3</sup> / 10m <sup>3</sup> / 12m <sup>3</sup>                         |
| 3D   |    | Speziale Räder   |
|      | 4  | Rahmen   |
|      | 5  | Querförderband   |
| 6A   |    | Schnecke und Antrieb 8m <sup>3</sup> / 10m <sup>3</sup> / 12m <sup>3</sup>                         |
| 6B   |    | Schnecke und Antrieb 14m <sup>3</sup>  |
| 6C   |    | Schneckemesser   |
| 7A   |    | Schneid - Ladeklappe   |
| 7B   |    | Abdichtungen   |
| 8A   |    | Ladeklappezylinder / Auswurfschieberzylinder 8m <sup>3</sup> / 10m <sup>3</sup> / 12m <sup>3</sup> |
| 8B   |    | Ladeklappezylinder / Auswurfschieberzylinder 14m <sup>3</sup>                                      |
| 9A   |    | Masterzylinder / Slavezylinder 8m <sup>3</sup> / 10m <sup>3</sup> / 12m <sup>3</sup>               |
| 9B   |    | Masterzylinder / Slavezylinder 14m <sup>3</sup>  |
| 10A  |    | Schneidvorrichtung → 03  |
| 10B  |    | Schneidvorrichtung ↳ 04  |
|      | 11 | Schläuche Schneidschild  |
|      | 12 | Steuerblock Innenseite   |
|      | 13 | Heck- und Seitenzylinder   |
|      | 14 | Synchronlaufüberwachungssystem   |
|      | 15 | Mechanische Fernbedienung  |
|      | 16 | Elektrische Fernbedienung  |
|      | 17 | Elektronische Waage  |
| 18A  |    | Untersetzungsgetriebe 8m <sup>3</sup> / 10m <sup>3</sup> / 12m <sup>3</sup>                        |
| 18B  |    | Untersetzungsgetriebe 14m <sup>3</sup>   |
|      | 19 | Hydraulische Fernbedienung   |
|      | 20 | Hydraulischer Stützfuß   |
|      | 21 | Beleuchtungsatz  |
|      | 22 | Druckluftbremse  |
|      | 23 | Schaltpläne Mechanische Fernbedienung  |
|      | 24 | Schaltpläne Elektrische Fernbedienung  |
|      | 25 | Elektrische Bedienungskasten + Schaltpläne   |
|      | 26 | Zapfwelle  |

92126/5

Afbeelding 1 : Stickers  
 Abbildung 1 : Aufkleber



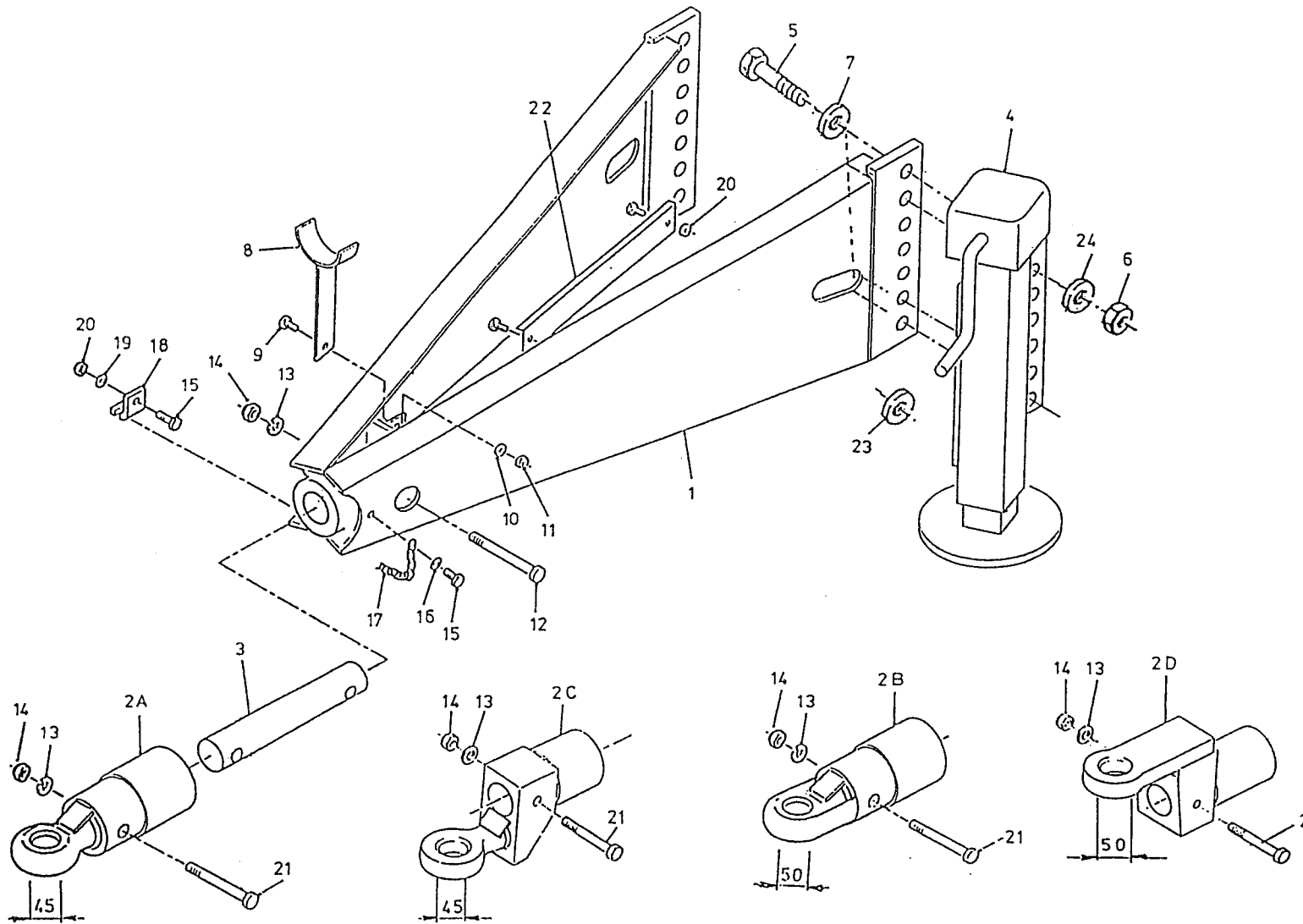
bestelnummer  
 ordernummer  
 Num. à commander  
 Bestellnummer

|    |       |   |         |
|----|-------|---|---------|
| 1  | 91159 | 1 |         |
| 2  | 91160 | 1 |         |
| 3  | 91243 | 1 |         |
| 4  | 91185 | 1 |         |
| 5  | 91247 | 1 |         |
| 6  | 91162 | 2 |         |
| 7  | 91211 | 2 |         |
| 8  | 91183 | 6 |         |
| 9  | 91118 | 1 |         |
| 10 | 91182 | 1 |         |
| 11 | 91197 | 2 |         |
| 12 | 91251 | 1 |         |
| 13 | 91249 | 2 |         |
| 14 | 91189 | 3 |         |
| 15 | 91198 | 2 |         |
| 17 | 91153 | 1 |         |
| 18 | 91241 | 1 |         |
| 19 | 91240 | 1 |         |
| 20 | 91242 | 1 |         |
| 21 | 91143 | 1 |         |
| 22 | 91228 | 2 |         |
| 23 | 91323 | 2 | 4.0 bar |
| 24 | 91325 | 2 |         |
| 25 | 91326 | 2 |         |

92126/5

Afbeelding 2 : Dissel

Abbildung 2 : Deichsel



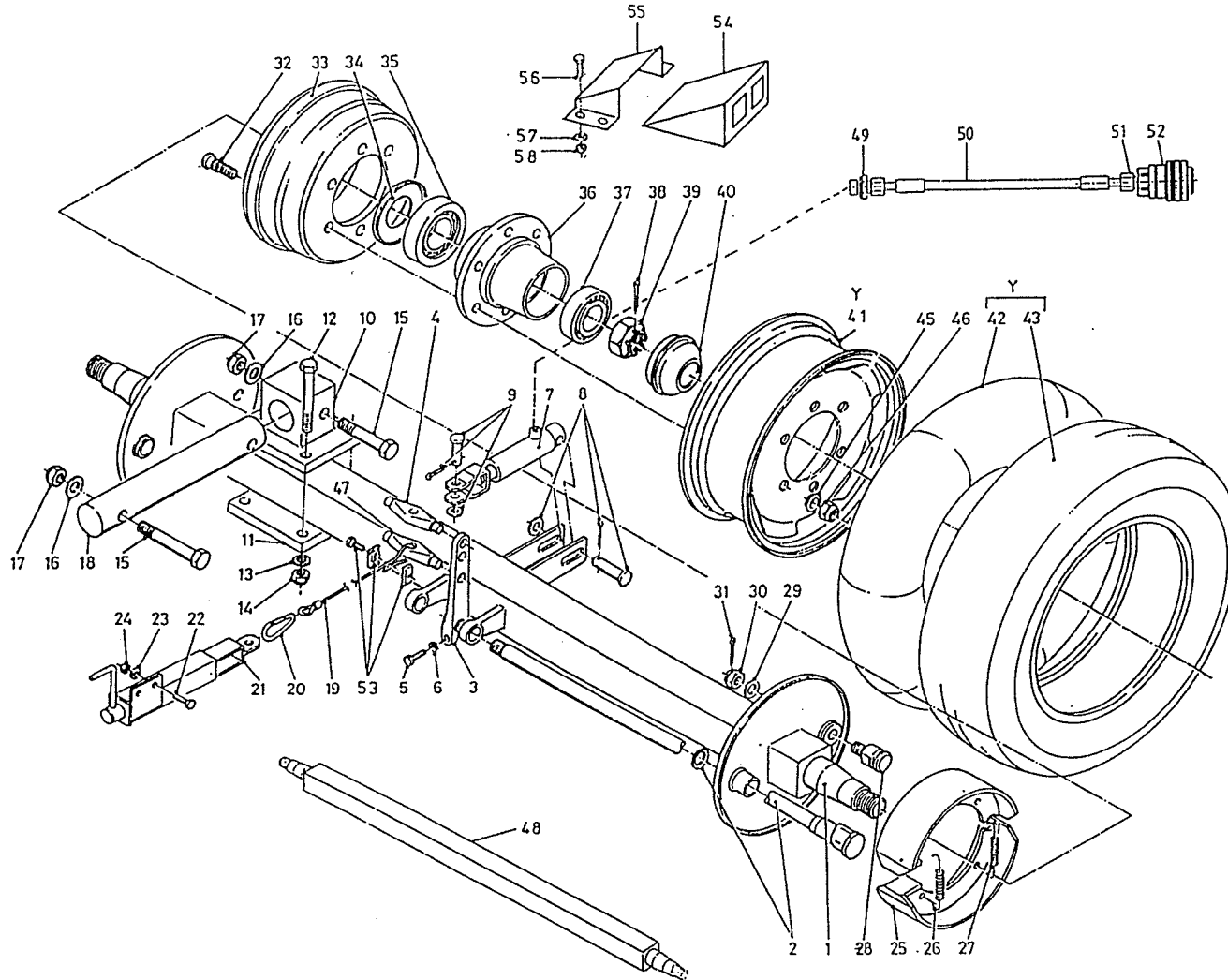
bestelnummer  
 ordernummer  
 Num. à commander  
 Bestellnummer

|    |       |                  |
|----|-------|------------------|
| 1  | 11942 | 1                |
| 2A | 12229 | 1 Ø 45           |
| 2B | 12560 | 1 Ø 50           |
| 2C | 12230 | 1 Ø 45           |
| 2D | 12612 | 1 Ø 50           |
| 3  | 31746 | 1                |
| 4  | 11946 | 1                |
| 5A | 82409 | 3 M24 x 90 8.8   |
| 5B | 82470 | 2 M24x70 8.8     |
| 6  | 86224 | 5 M24            |
| 7  | 85124 | 5 M24            |
| 8  | 11709 | 1                |
| 9  | 81026 | 1 M10 x 25       |
| 10 | 85110 | 1 M10            |
| 11 | 86210 | 1 M10            |
| 12 | 82014 | 2 M20 x 140 12.9 |
| 13 | 85020 | 3 M20            |
| 14 | 86220 | 3 M20            |
| 15 | 80831 | 2 M8 x 30        |
| 16 | 85109 | 1 M8             |
| 17 | 39136 | 1                |
| 18 | 24528 | 1                |
| 19 | 85108 | 1 M8             |
| 20 | 86208 | 3 M8             |
| 21 | 82013 | 1 M20 x 130 12.9 |
| 22 | 40431 | 1                |
| 23 | 31627 | 1                |
| 24 | 85024 | 5 M24            |

92126/5

Afbeelding 3A : Wielas met hydraulisch remsysteem 8m<sup>3</sup> / 10m<sup>3</sup> / 12m<sup>3</sup>

Abbildung 3A : Radachse mit hydraulischer Bremse 8m<sup>3</sup> / 10m<sup>3</sup> / 12m<sup>3</sup>



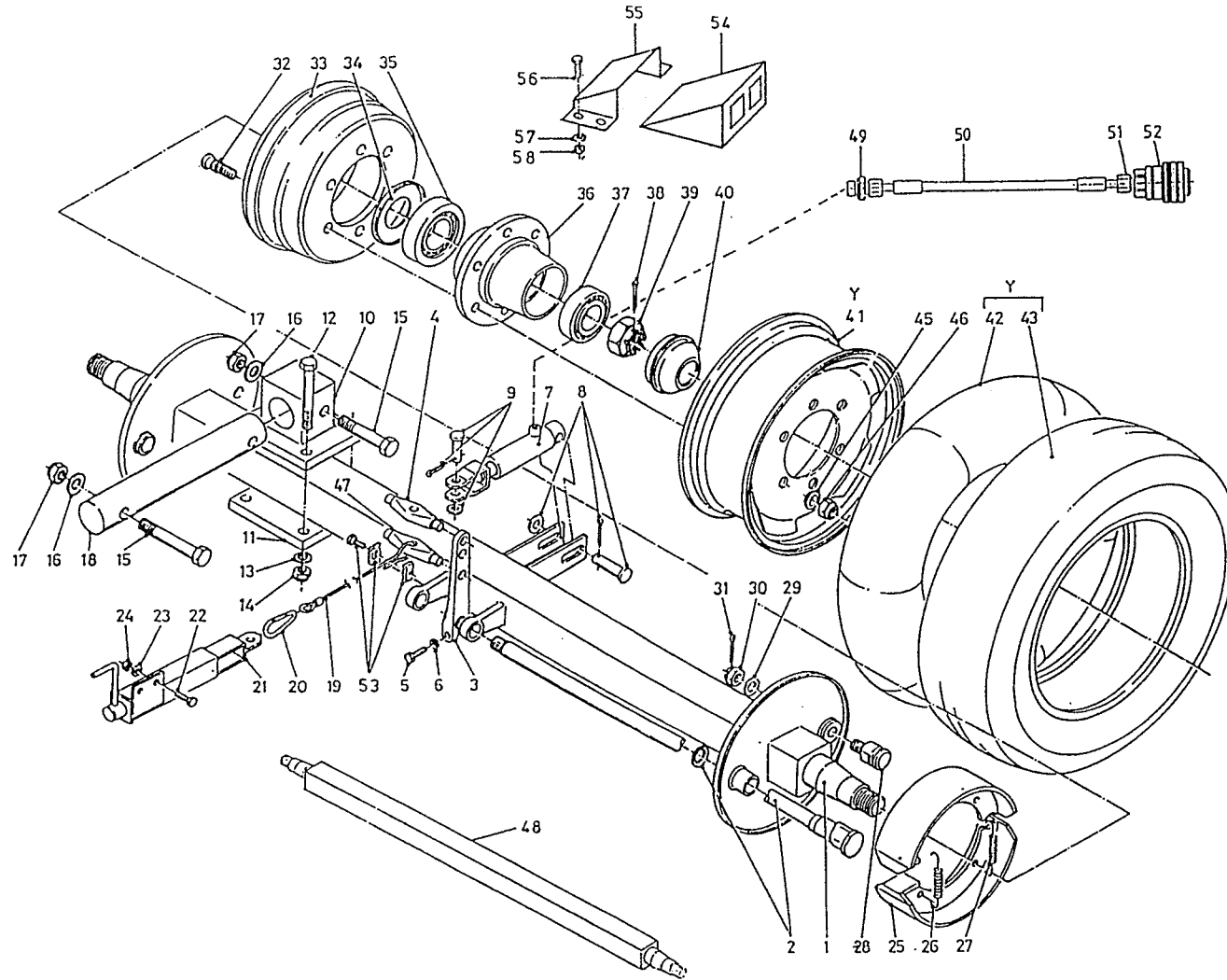
bestelnummer  
 ordernummer  
 Num. à commander  
 Bestellnummer

|     |       |    |                |
|-----|-------|----|----------------|
| 1   | 90487 | 1  |                |
| 2   | 90508 | 2  |                |
| 3   | 90507 | 2  |                |
| 4   | 90506 | 1  |                |
| 5   | 81060 | 2  | M10 x 60       |
| 6   | 86110 | 2  | M10            |
| 7   | 51110 | 1  |                |
| 8   | 90514 | 1  |                |
| 9   | 90515 | 1  |                |
| 10  | 11945 | 2  |                |
| 11  | 25221 | 2  |                |
| 12  | 81615 | 8  | M16 x 140 10.9 |
| 13  | 85016 | 8  | M16            |
| 14  | 86516 | 8  | M16            |
| 15  | 82013 | 4  | M20 x 130 12.9 |
| 16  | 85020 | 4  | M20            |
| 17  | 86220 | 4  | M20            |
| 18  | 31746 | 2  |                |
| 19  | 79082 | 1  | L=3170         |
| 20  | 39139 | 1  |                |
| 21A | 11997 | 1  | → I02          |
| 21B | 12558 | 1  | → O3           |
| 22  | 81031 | 2  | M10 x 30       |
| 23  | 85110 | 2  | M10            |
| 24  | 86210 | 2  | M10            |
| 25  | 90509 | 4  |                |
| 26  | 90512 | 2  |                |
| 27  | 90513 | 2  |                |
| 28  | 90510 | 2  |                |
| 29  | 90523 | 2  |                |
| 30  | 90511 | 2  |                |
| 31  | 90524 | 2  |                |
| 32A | 84939 | 12 | M18 x 1,5 L=60 |
| 32B | 84938 | 12 | M18x1.5L=74    |
| 33  | 90502 | 2  |                |
| 34  | 90503 | 2  |                |
| 37  | 70131 | 2  |                |
| 38  | 90522 | 2  |                |

92126/5

Afbeelding 3A : Wielas met hydraulisch remsysteem 8m<sup>3</sup> / 10m<sup>3</sup> / 12m<sup>3</sup>

Abbildung 3A : Radachse mit hydraulischer Bremse 8m<sup>3</sup> / 10m<sup>3</sup> / 12m<sup>3</sup>

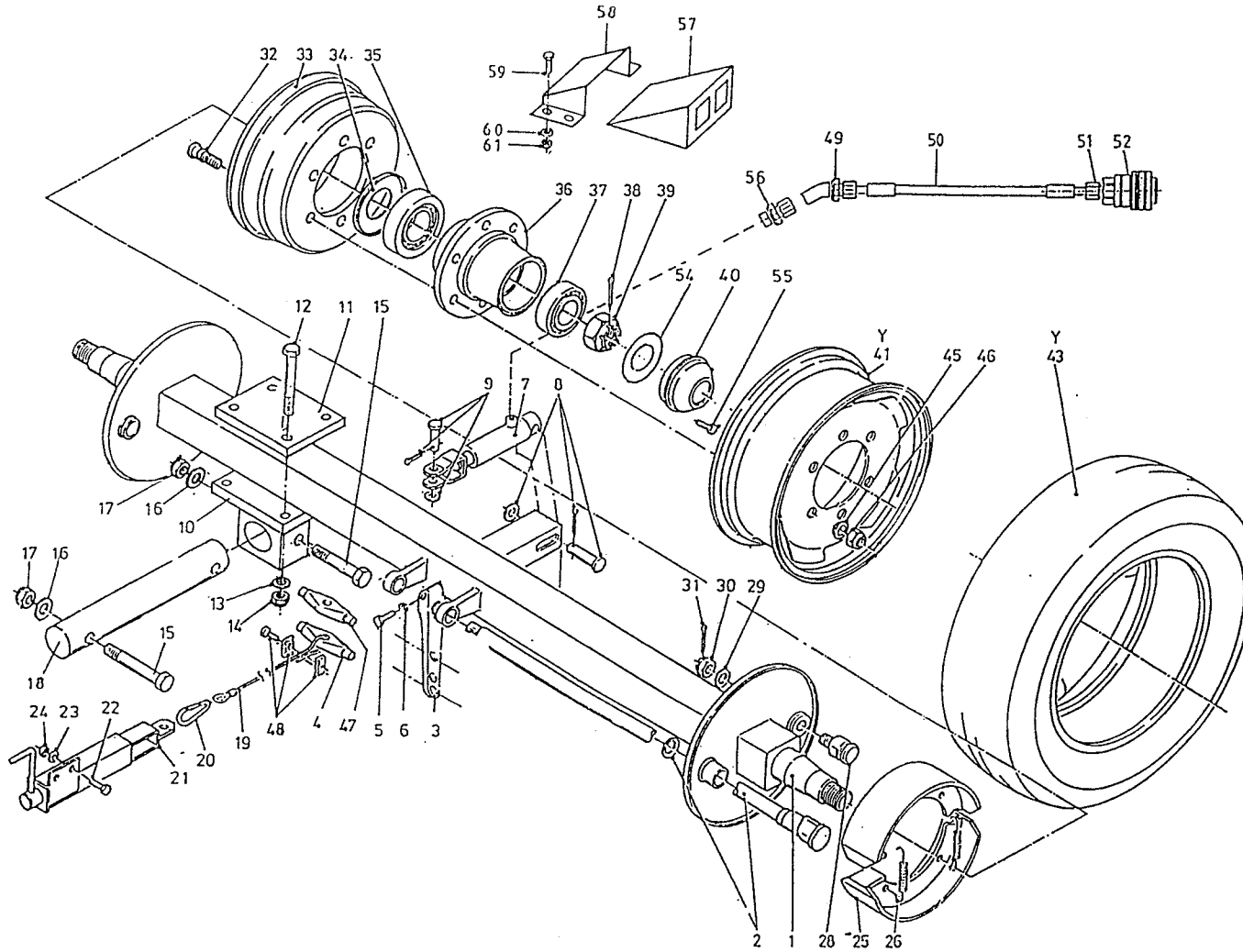


bestelnummer  
 ordernummer  
 Num. à commander  
 Bestellnummer

|    |        |    |                |
|----|--------|----|----------------|
| 39 | 90504  | 2  |                |
| 40 | 90505  | 2  |                |
| 41 | 90341  | 2  | 8J x 16        |
| 42 | 90343  | 2  | 8,25 x 16      |
| 43 | 90342  | 2  | H34 x 10,- R16 |
| 45 | 90521  | 12 |                |
| 46 | 90519  | 12 | M18 x 1,5 H=18 |
| 47 | 31747  | 1  |                |
| 48 | 90531  | 1  |                |
| 49 | X50124 | 1  |                |
| 50 | W50920 | 1  | ¼" 6500 RR     |
| 51 | X50114 | 1  |                |
| 52 | 53327  | 1  |                |
| 53 | 90430  | 1  |                |
| 54 | 90404  | 2  |                |
| 55 | 90405  | 2  |                |
| 56 | 80821  | 8  | M8 x 20        |
| 57 | 85108  | 16 | M8             |
| 58 | 86208  | 8  | M8             |
| Y  | 90339  | 1  |                |

92126/5

Afbeelding 3B : Wielas met hydraulisch remsysteem 14m<sup>3</sup>  
 Abbildung 3B : Radachse mit hydraulischer Bremse 14m<sup>3</sup>



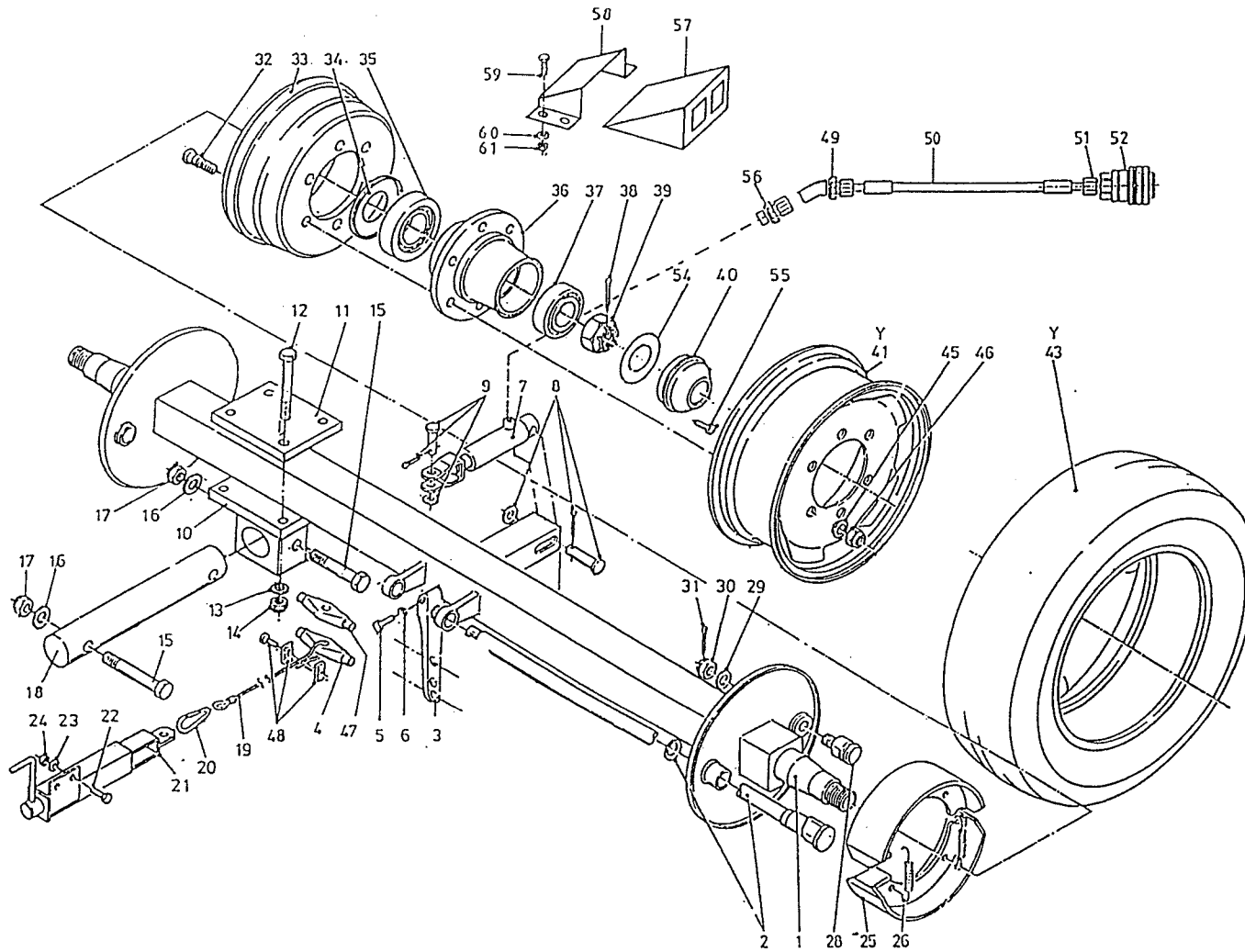
| bestelnummer     |       | ordernummer   |                |
|------------------|-------|---------------|----------------|
| Num. à commander |       | Bestellnummer |                |
| 1                | 90648 | 1             | L=1900         |
| 2A               | 90710 | 2             | L=890          |
| 2B               | 90702 | 2             | L=580          |
| 3                | 90507 | 2             |                |
| 4                | 90506 | 1             |                |
| 5                | 81060 | 2             | M10 x 60       |
| 6                | 86110 | 2             | M10            |
| 7                | 51110 | 1             |                |
| 8                | 90514 | 1             |                |
| 9                | 90515 | 1             |                |
| 10               | 11945 | 2             |                |
| 11               | 25221 | 2             |                |
| 12               | 81615 | 8             | M16 x 140 10.9 |
| 13               | 85016 | 8             | M16            |
| 14               | 86516 | 8             | M16            |
| 15               | 82013 | 4             | M20 x 130 12.9 |
| 16               | 85120 | 4             | M20            |
| 17               | 86220 | 4             | M20            |
| 18               | 31746 | 2             |                |
| 19               | 79082 | 1             | L=3170         |
| 20               | 39139 | 1             |                |
| 21               | 11997 | 1             |                |
| 22               | 81031 | 2             | M10 x 30       |
| 23               | 85110 | 2             | M10            |
| 24               | 86210 | 2             | M10            |
| 25               | 90700 | 4             |                |
| 26               | 90705 | 4             |                |
| 28               | 90711 | 2             |                |
| 29               | 90703 | 2             |                |
| 30               | 90704 | 22            |                |
| 31               | 90524 | 2             |                |
| 32               | 84941 | 16            | M20 x 1,5 L=93 |
| 34               | 90694 | 2             |                |
| 35               | 70141 | 2             | 32214          |
| 36               | 90693 | 2             |                |
| 37               | 70132 | 2             | 32215          |

92126/5

Afbeelding 3B : Wielas met hydraulisch remsysteem 14m<sup>3</sup>

Abbildung 3B : Radachse mit hydraulischer Bremse 14m<sup>3</sup>

bestelnummer  
ordernummer  
Num. à commander

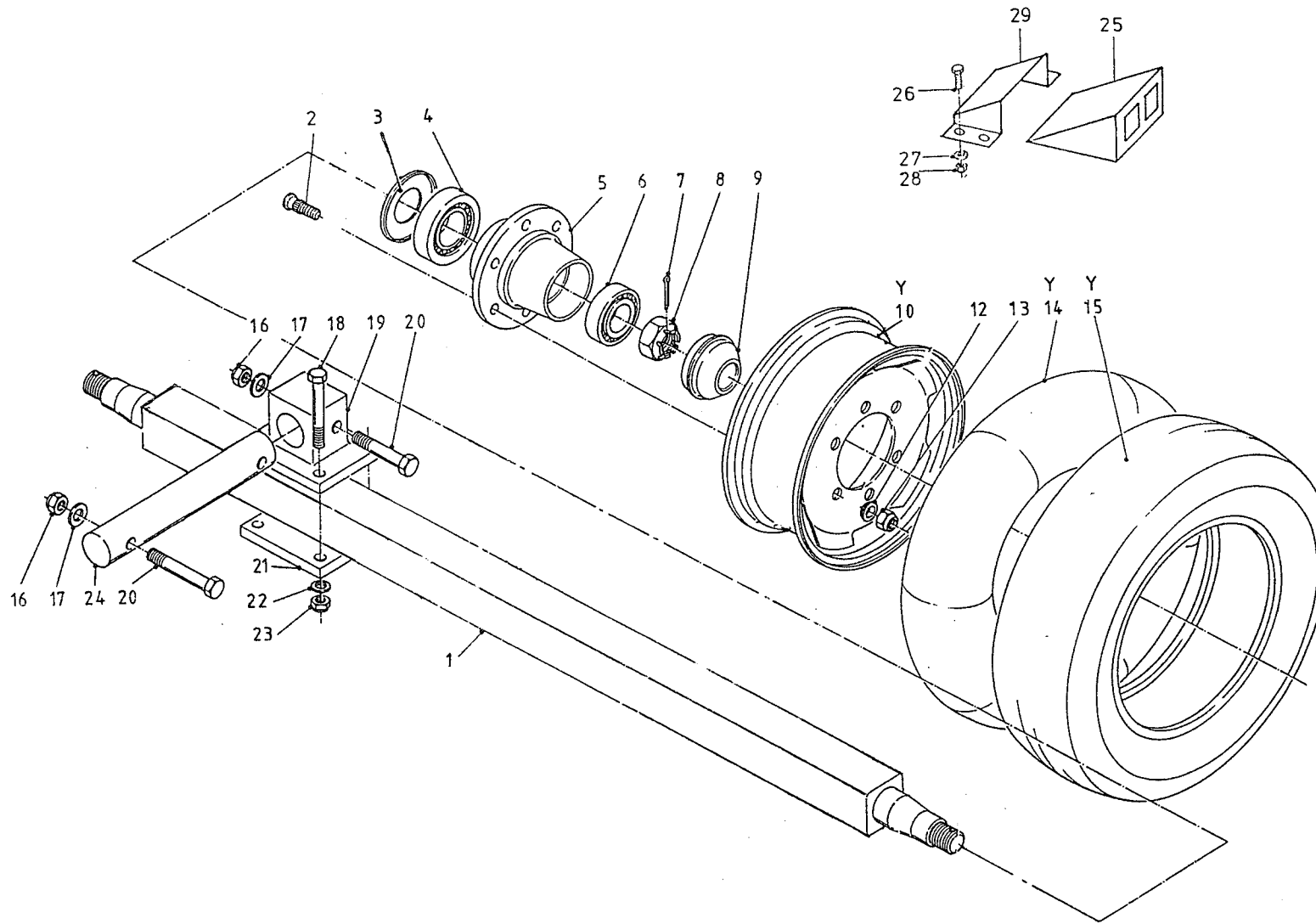


|    |        |    |               |
|----|--------|----|---------------|
| 38 | 90522  | 2  |               |
| 39 | 90697  | 22 |               |
| 40 | 90691  | 2  |               |
| 41 | 90718  | 2  |               |
| 43 | 90717  | 2  |               |
| 45 | 90699  | 16 |               |
| 46 | 86933  | 16 | M20 x 1,5     |
| 47 | 31747  | 1  |               |
| 48 | 90430  | 1  |               |
| 49 | X50124 | 1  |               |
| 50 | W50920 | 1  | 1/4" 6500RR   |
| 51 | X50114 | 1  |               |
| 52 | 53327  | 1  |               |
| 54 | 90698  | 2  |               |
| 55 | 80812  | 6  | M8 x 12       |
| 56 | X50147 | 1  |               |
| 57 | 90799  | 2  |               |
| 58 | 90800  | 2  |               |
| 59 | 80821  | 8  | M8 x 20       |
| 60 | 85108  | 16 | M8            |
| 61 | 86208  | 8  | M8            |
| Y  | 90716  | 2  | 385 / 65-22,5 |



92126/5

Afbeelding 3C : Wielas ongeremd 8m<sup>3</sup> / 10m<sup>3</sup> / 12m<sup>3</sup>  
 Abbildung 3C : Radachse ohne Bremse 8m<sup>3</sup> / 10m<sup>3</sup> / 12m<sup>3</sup>

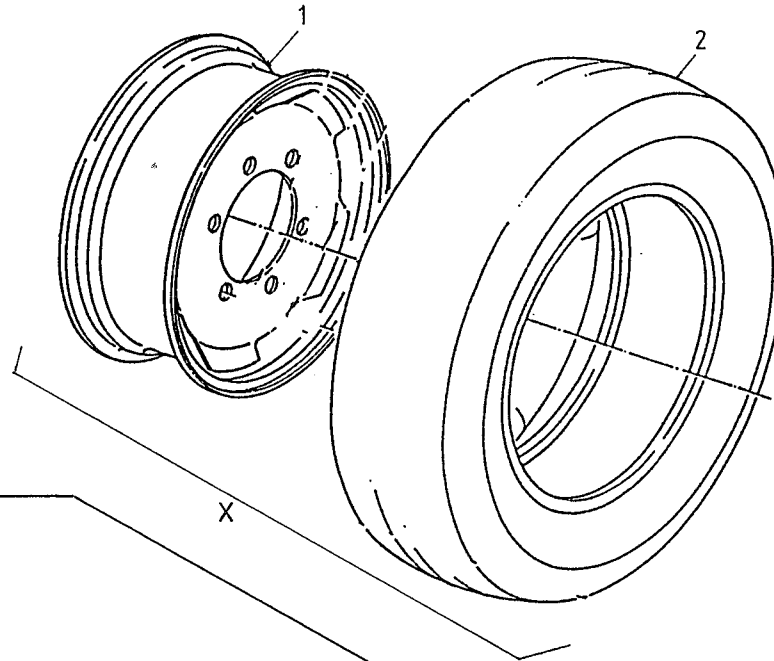


| bestelnummer     |       | ordernummer   |                  |
|------------------|-------|---------------|------------------|
| Num. à commander |       | Bestellnummer |                  |
| 1                | 90531 | 1             | □ 80 mm L=1700   |
| 2                | 84939 | 12            | M18 x 1.5        |
| 3                | 90503 | 2             |                  |
| 4                | 70132 | 2             | 32215            |
| 5                | 90501 | 2             |                  |
| 6                | 70131 | 2             | 32212            |
| 7                | 90522 | 2             |                  |
| 8                | 90504 | 2             | M45 x 2          |
| 9                | 90505 | 2             |                  |
| 10               | 90341 | 2             | 8J x 16          |
| 12               | 90521 | 12            |                  |
| 13               | 90519 | 12            | M18 x 1.5 H=18   |
| 14               | 90343 | 2             | 8.25 x 16        |
| 15               | 90342 | 2             | H34 x 10.0 / R16 |
| 16               | 86220 | 4             | M20              |
| 17               | 85120 | 4             | M20              |
| 18               | 81615 | 8             | M16 x 140 10.9   |
| 19               | 11945 | 2             |                  |
| 20               | 82013 | 4             | M20 x 130 12.9   |
| 21               | 25221 | 2             |                  |
| 22               | 85116 | 8             | M16              |
| 23               | 86516 | 8             | M16              |
| 24               | 31746 | 2             |                  |
| 25               | 90402 | 2             |                  |
| 26               | 80821 | 8             | M8 x 20          |
| 27               | 85108 | 16            | M8               |
| 28               | 86208 | 8             | M8               |
| 29               | 90403 | 2             |                  |
| Y                | 90339 | 2             | H34 x 10.0 / R16 |

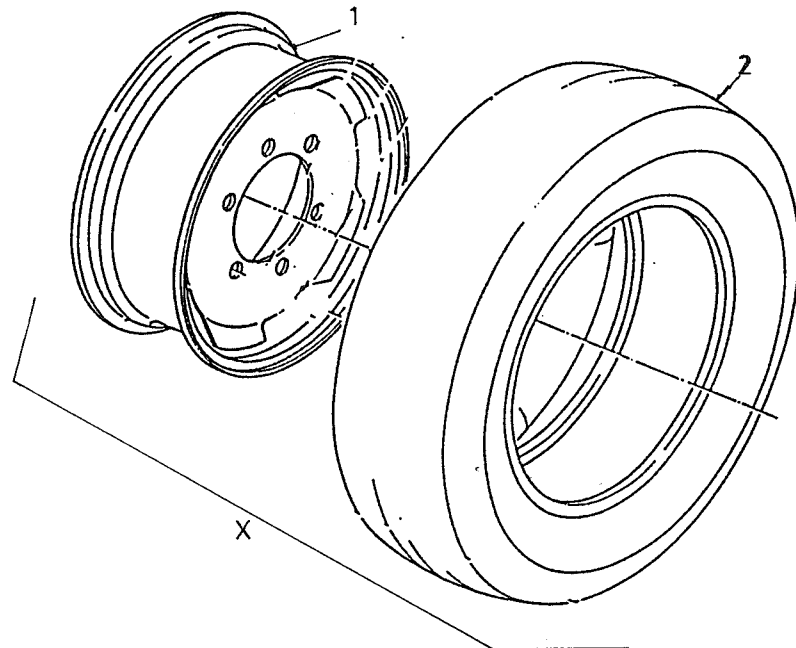
92126/5

Afbeelding 3D : Speciale wielen  
Abbildung 3D : Spezielle Räder

285/70 R19.5



305/70 R19.5



bestelnummer  
ordernummer  
Num. à commander  
Bestellnummer

**Triomix 800**

|   |       |   |               |
|---|-------|---|---------------|
| 1 | 90887 | 2 | 8.25 x 19.5   |
| 2 | 90889 | 2 | 285/70 R 19.5 |
| X | 90888 | 2 | 285/70 R 19.5 |

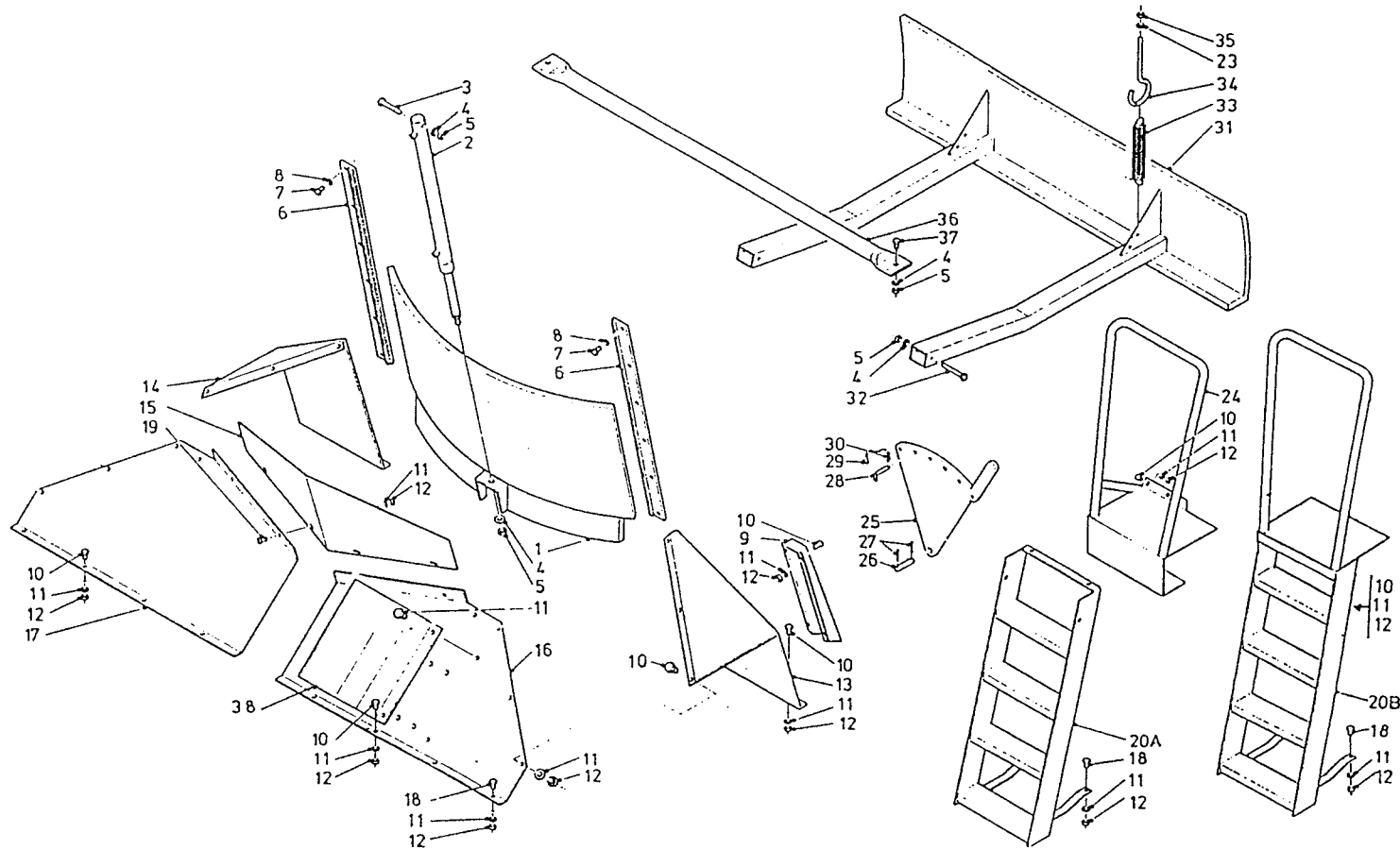
**Triomix 1000 / 1200**

|   |       |   |               |
|---|-------|---|---------------|
| 1 | 90887 | 2 | 8.25 x 19.5   |
| 2 | 90886 | 2 | 305/70 R 19.5 |
| X | 90885 | 2 | 305/70 R 19.5 |

92126/5

Afbeelding 4 : Frame

Abbildung 4 : Rahmen

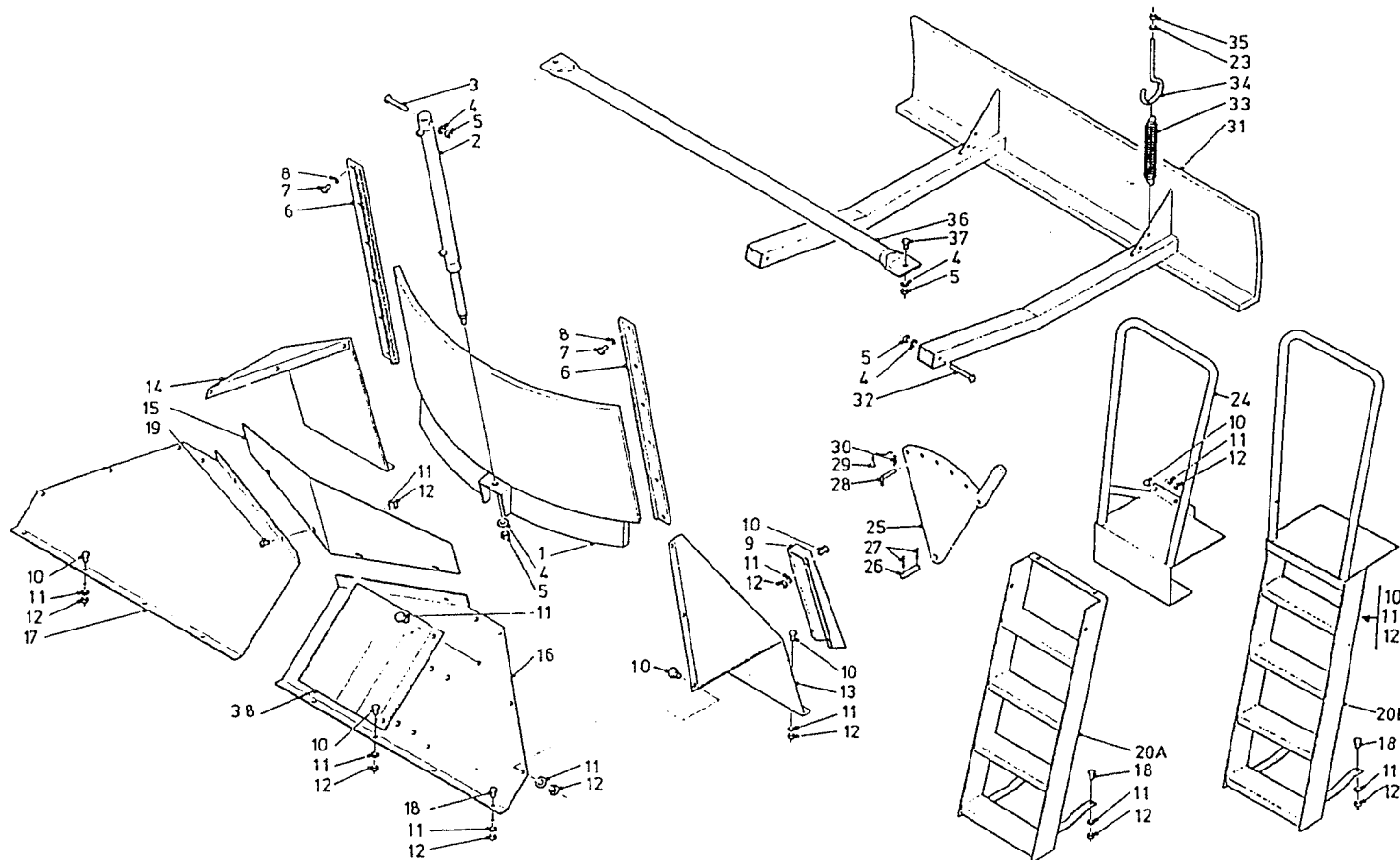


bestelnummer  
 ordernummer  
 Num. à commander  
 Bestellnummer

|     |       |    |                                    |
|-----|-------|----|------------------------------------|
| 1A  | 11916 | 1  | 8m <sup>3</sup>                    |
| 1B  | 11682 | 1  | 10m <sup>3</sup> /12m <sup>3</sup> |
| 1C  | 12012 | 1  | 14m <sup>3</sup>                   |
| 2   | 51062 | 1  |                                    |
| 3   | 81690 | 1  | M16 x 90                           |
| 4   | 85116 | 5  | M16                                |
| 5   | 86216 | 5  | M16                                |
| 6   | 11690 | 2  |                                    |
| 7   | 81031 | 14 | M10 x 30                           |
| 8   | 85010 | 14 | M10                                |
| 9   | 11983 | 1  |                                    |
| 10  | 80821 | 36 | M8 x 20                            |
| 11  | 85108 | 44 | M8                                 |
| 12  | 86208 | 40 | M8                                 |
| 13A | 25203 | 1  | 8m <sup>3</sup>                    |
| 13B | 26301 | 1  | 10m <sup>3</sup> /12m <sup>3</sup> |
| 13C | 26007 | 1  | 14m <sup>3</sup>                   |
| 14A | 25204 | 1  | 8m <sup>3</sup>                    |
| 14B | 26300 | 1  | 10m <sup>3</sup> /12m <sup>3</sup> |
| 14C | 26008 | 1  | 14m <sup>3</sup>                   |
| 15  | 40434 | 1  |                                    |
| 16A | 25201 | 1  | 8m <sup>3</sup>                    |
| 16B | 25504 | 1  | 10m <sup>3</sup> /12m <sup>3</sup> |
| 16C | 26006 | 1  | 14m <sup>3</sup>                   |
| 17A | 25202 | 1  | 8m <sup>3</sup>                    |
| 17B | 25503 | 1  | 10m <sup>3</sup> /12m <sup>3</sup> |
| 17C | 26005 | 1  | 14m <sup>3</sup>                   |
| 18  | 80831 | 4  | M8 x 30                            |
| 19  | 80810 | 4  | M8 x 10                            |
| 20A | 11906 | 1  | → 02                               |
| 20B | 12517 | 1  | → 03                               |
| 24  | 11906 | 1  | → 02                               |
| 25A | 11958 | 1  | → 02                               |
| 25B | 12217 | 1  | → 03                               |
| 25C | 11958 | 1  | 14m <sup>3</sup>                   |
| 26  | 25332 | 1  |                                    |
| 27  | 88239 | 2  | Ø5 x 40                            |

92126/5

Afbeelding 4 : Frame  
 Abbildung 4 : Rahmen

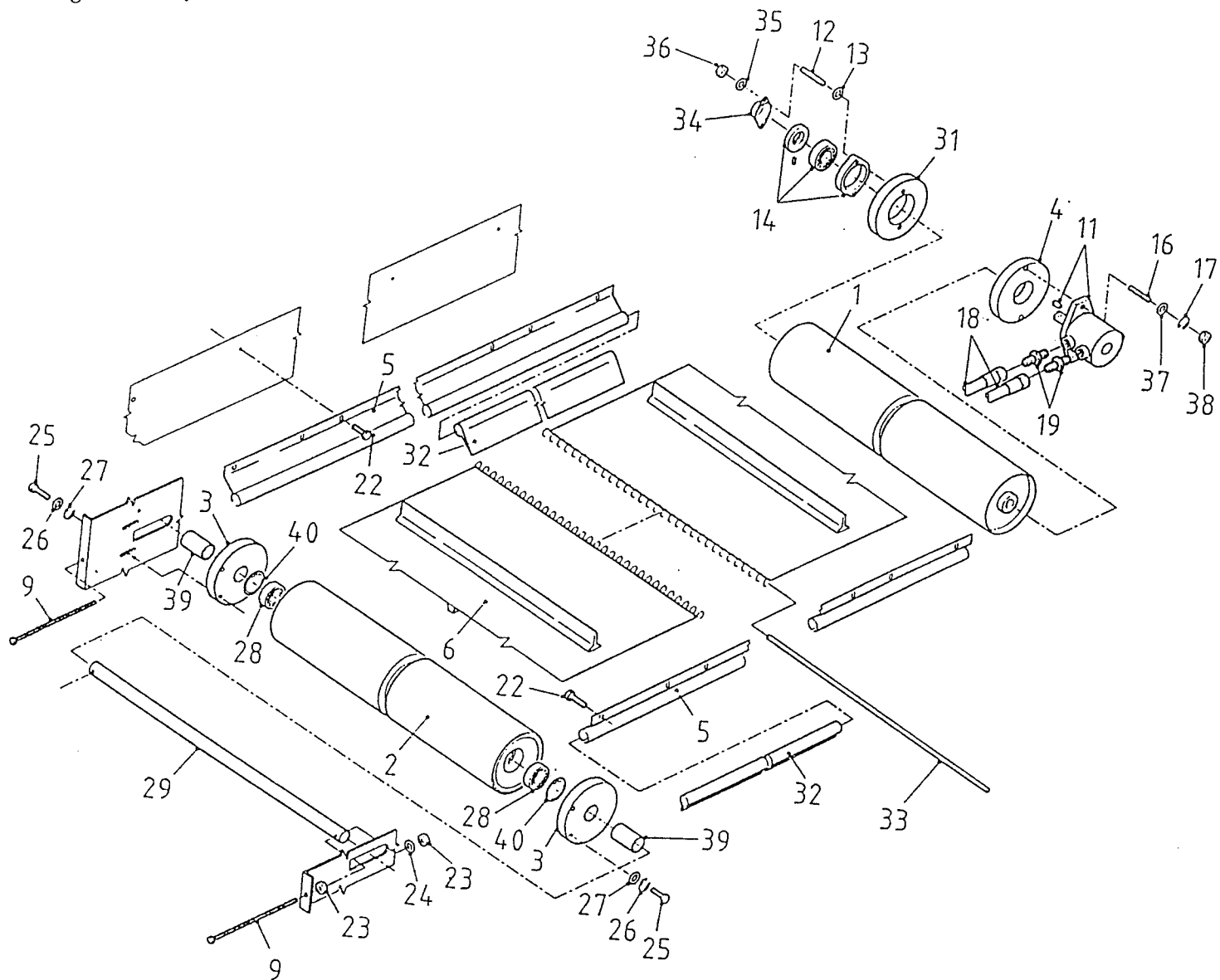


bestelnummer  
 ordernummer  
 Num. à commander  
 Bestellnummer

|     |       |   |                                    |
|-----|-------|---|------------------------------------|
| 28  | 90490 | 1 |                                    |
| 29  | 90282 | 1 |                                    |
| 30  | 65030 | 1 |                                    |
| 31A | 11938 | 1 | 8m <sup>3</sup>                    |
| 31B | 12091 | 1 | 10m <sup>3</sup> /12m <sup>3</sup> |
| 31C | 12132 | 1 | 14m <sup>3</sup>                   |
| 32  | 81615 | 2 | M16 x 140 10.9                     |
| 33  | 65059 | 2 |                                    |
| 34  | 84174 | 2 |                                    |
| 35  | 86110 | 2 | M10                                |
| 36A | 25184 | 1 | 8m <sup>3</sup>                    |
| 36B | 25682 | 1 | 10m <sup>3</sup> /12m <sup>3</sup> |
| 36C | 26015 | 1 | 14m <sup>3</sup>                   |
| 37  | 81650 | 2 | M16 x 50                           |
| 38  | 12136 | 1 | l→02                               |

92126/5

Afbeelding 5 : Dwarsband  
 Abbildung 5 : Querförderband



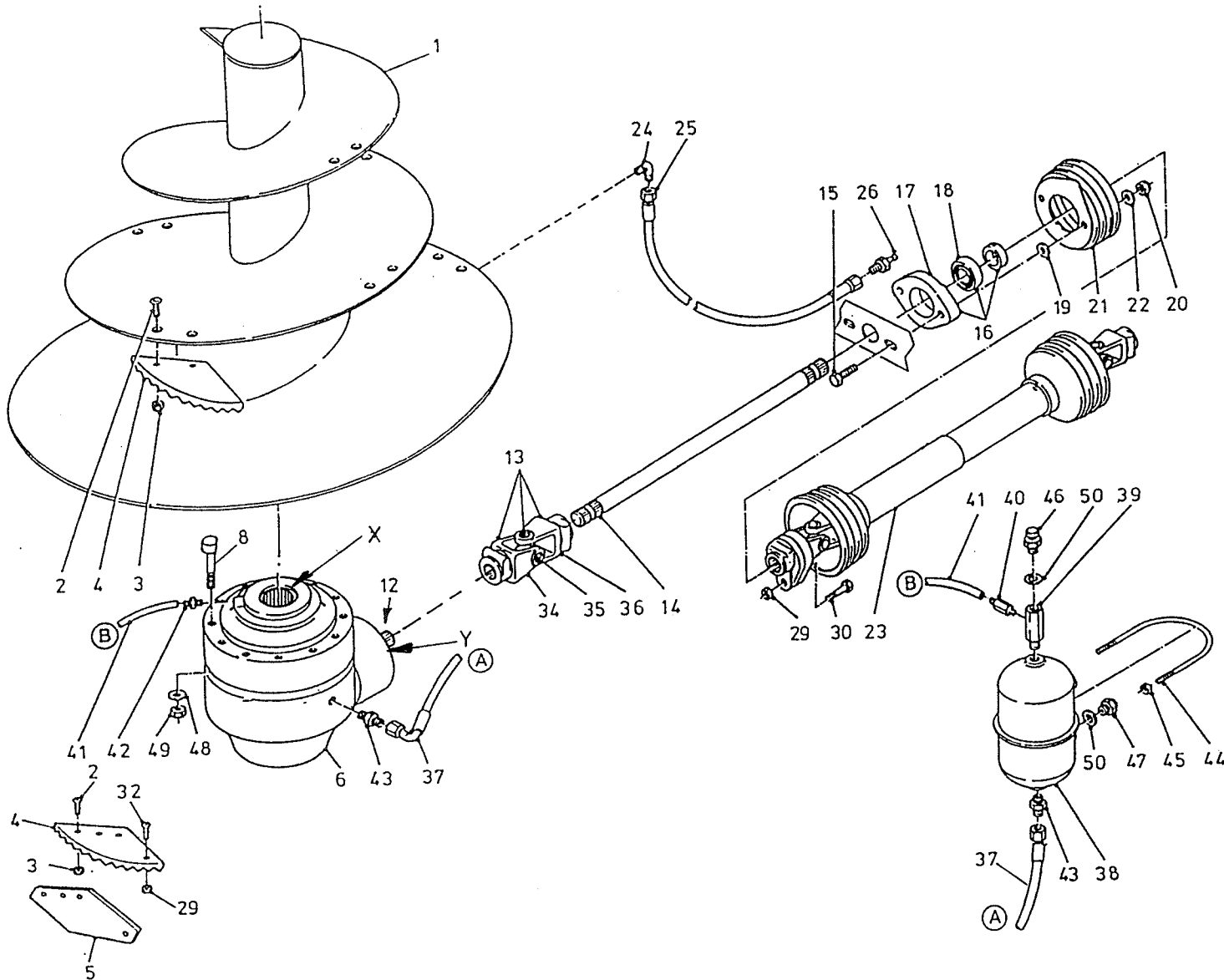
bestelnummer  
 ordernummer  
 Num. à commander  
 Bestellnummer

|     |        |    |   |
|-----|--------|----|---|
| 1   | 11940  | 1  |   |
| 2   | 11979  | 1  |   |
| 3   | 60290  | 2  |   |
| 4   | 31709  | 1  |   |
| 5A  | 90274  | 2  | 8m <sup>3</sup>                           |
| 5B  | 90535  | 2  | 10m <sup>3</sup> /12m <sup>3</sup>        |
| 5C  | 90634  | 2  | 14m <sup>3</sup>                          |
| 6A  | 60294  | 1  | 8m <sup>3</sup>                           |
| 6B  | 60297  | 1  | 10m <sup>3</sup> /12m <sup>3</sup>        |
| 6C  | 60306  | 1  | 14m <sup>3</sup>                          |
| 9   | 81223  | 2  | M12 x 180                                 |
| 11A | 51109  | 1  | White 160cc→I01                           |
| 11B | 51080  | 1  | Danfoss 160cc→I01                         |
| 11C | 51083  | 1  | White 127cc I→02                          |
| 11D | 51129  | 1  | Sam 127cc I→02                            |
| 12  | 84176  | 2  | M8 x 60                                   |
| 13  | 85112  | 2  | M8  |
| 14  | 70084  | 1  |   |
| 16  | 84108  | 2  | M12 x 60                                  |
| 17  | 85112  | 2  | M12                                       |
| 18  | W50602 | 2  | ½" 3500 RH                                |
| 19  | X50117 | 2  |   |
| 22  | 84717  | 22 | M6 x 12                                   |
| 23  | 86112  | 4  | M12                                       |
| 24  | 85012  | 2  | M12                                       |
| 25  | 81031  | 4  | M10 x 30                                  |
| 26  | 85010  | 4  | M10                                       |
| 27  | 85113  | 4  | M10                                       |
| 28  | 70010  | 2  |   |
| 29  | 25200  | 1  |   |
| 31  | 32190  | 1  |   |
| 32A | 60216  | 2  | 8m <sup>3</sup> L=2280                    |
| 32B | 60296  | 2  | 10m <sup>3</sup> /12m <sup>3</sup> L=2460 |
| 32C | 60305  | 2  | 14m <sup>3</sup> L=2750                   |
| 33  | 25422  | 1  |   |
| 34  | 23304  | 1  |   |
| 35  | 85008  | 2  | M8  |
| 36  | 86208  | 2  | M8  |
| 37  | 85012  | 2  | M12                                       |
| 38  | 86212  | 2  | M12                                       |
| 39  | 25207  | 2  | L=53                                      |
| 40  | 87162  | 2  |   |

92126/5

Afbeelding 6A : Aandrijving en mengvijzel 8 m<sup>3</sup> / 10 m<sup>3</sup> / 12 m<sup>3</sup>

Abbildung 6A : Schnecke und Antrieb 8 m<sup>3</sup> / 10 m<sup>3</sup> / 12 m<sup>3</sup>



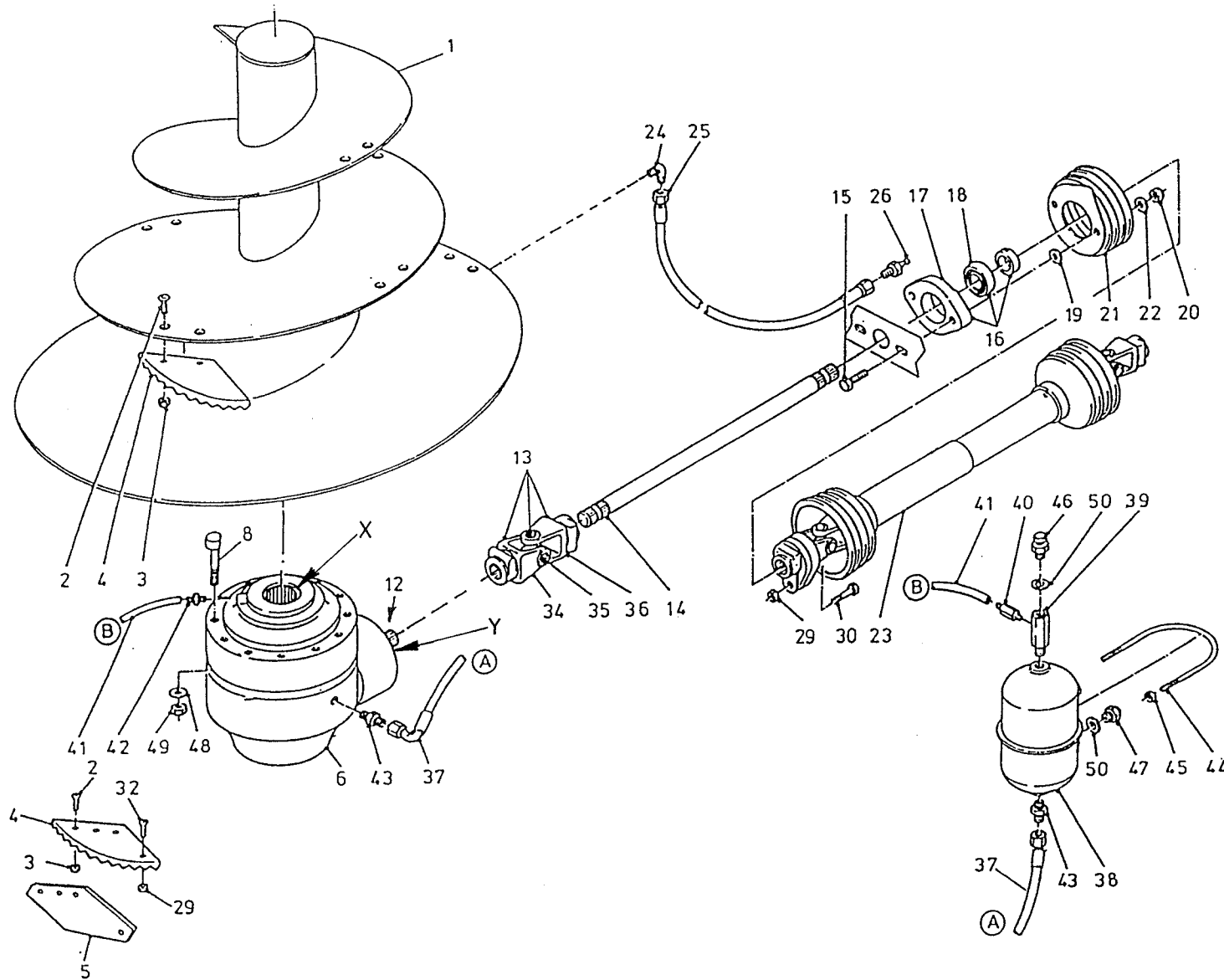
bestelnummer  
ordernummer  
Num. à commander  
Bestellnummer

|     |       |    |  |
|-----|-------|----|--|
| 1A  | 11965 | 1  | 8m <sup>3</sup> → I 02                           |
| 1B  | 12512 | 1  | 8m <sup>3</sup> I → 03                           |
| 1C  | 12069 | 1  | 10m <sup>3</sup> → I 02                          |
| 1D  | 12099 | 1  | 12m <sup>3</sup> → I 02                          |
| 1E  | 12547 | 1  | 10m <sup>3</sup> /12m <sup>3</sup> I → 03        |
| 2A  | 84120 | 15 | M16 x 50 → I 02                                  |
| 2B  | 84121 | 10 | M16 x 45 I → 03                                  |
| 3   | 86216 | 15 | M16  |
| 4A  | 31639 | 5  | L=550 → I 02                                     |
| 4B  | 31841 | 5  | L=350 I → 03                                     |
| 5   | 31640 | 5  | → I 02   |
| 6A  | 90437 | 1  | 8m <sup>3</sup> → I01 Ø 48 RR                    |
| 6B  | 90516 | 1  | 8m <sup>3</sup> → I01 1 3/8" 6 RR                |
| 6C  | 90546 | 1  | 1 3/4"-20 SOM                                    |
| 6D  | 90650 | 1  | 1 3/4"-20 BR                                     |
| 6E  | 90574 | 1  | 1 3/8"-6 BR                                      |
| 8A  | 84482 | 12 | M14 x 100 8m <sup>3</sup> 10.9                   |
| 8B  | 81415 | 12 | M14 x 160 10m <sup>3</sup> 12m <sup>3</sup> 10.9 |
| 12  | 88371 | 1  | 14 x 9 x 70                                      |
| 13A | 90609 | 1  | 8m <sup>3</sup> → I01 Ø48/1 3/8"-6               |
| 13B | 90497 | 1  | 1 3/8"-6 / 1 3/8"-6 W2500                        |
| 13C | 90545 | 1  | 1 3/4"-20/1 3/8"-6 W2500                         |
| 13D | 90798 | 1  | 1 3/4"-20 / 1 3/8"-6 W2400                       |
| 14A | 31720 | 1  | 8m <sup>3</sup> → I01 L = 1330                   |
| 14B | 31635 | 1  | 8m <sup>3</sup> → I02 L = 1290                   |
| 14C | 31760 | 1  | 10m <sup>3</sup> / 12m <sup>3</sup> L = 1390     |
| 15  | 81071 | 2  | M10 x 70   |
| 16  | 70059 | 1  |  |
| 17  | 70089 | 1  |  |
| 18  | 70090 | 1  |  |
| 19  | 85113 | 2  | M10  |
| 20  | 86110 | 2  | M10  |
| 21  | 90499 | 1  |  |
| 22  | 85010 | 2  | M10  |
| 23A | 90495 | 1  |  |
| 23B | 90795 | 1  | 8m <sup>3</sup> / 10m <sup>3</sup> I → 03        |
| 24  | 50107 | 1  |  |
| 25  | 50957 | 1  | 1/4" 1520 RR                                     |

92126/5

Afbeelding 6A : Aandrijving en mengvijzel 8 m<sup>3</sup> / 10 m<sup>3</sup> / 12 m<sup>3</sup>

Abbildung 6A : Schnecke und Antrieb 8 m<sup>3</sup> / 10 m<sup>3</sup> / 12 m<sup>3</sup>



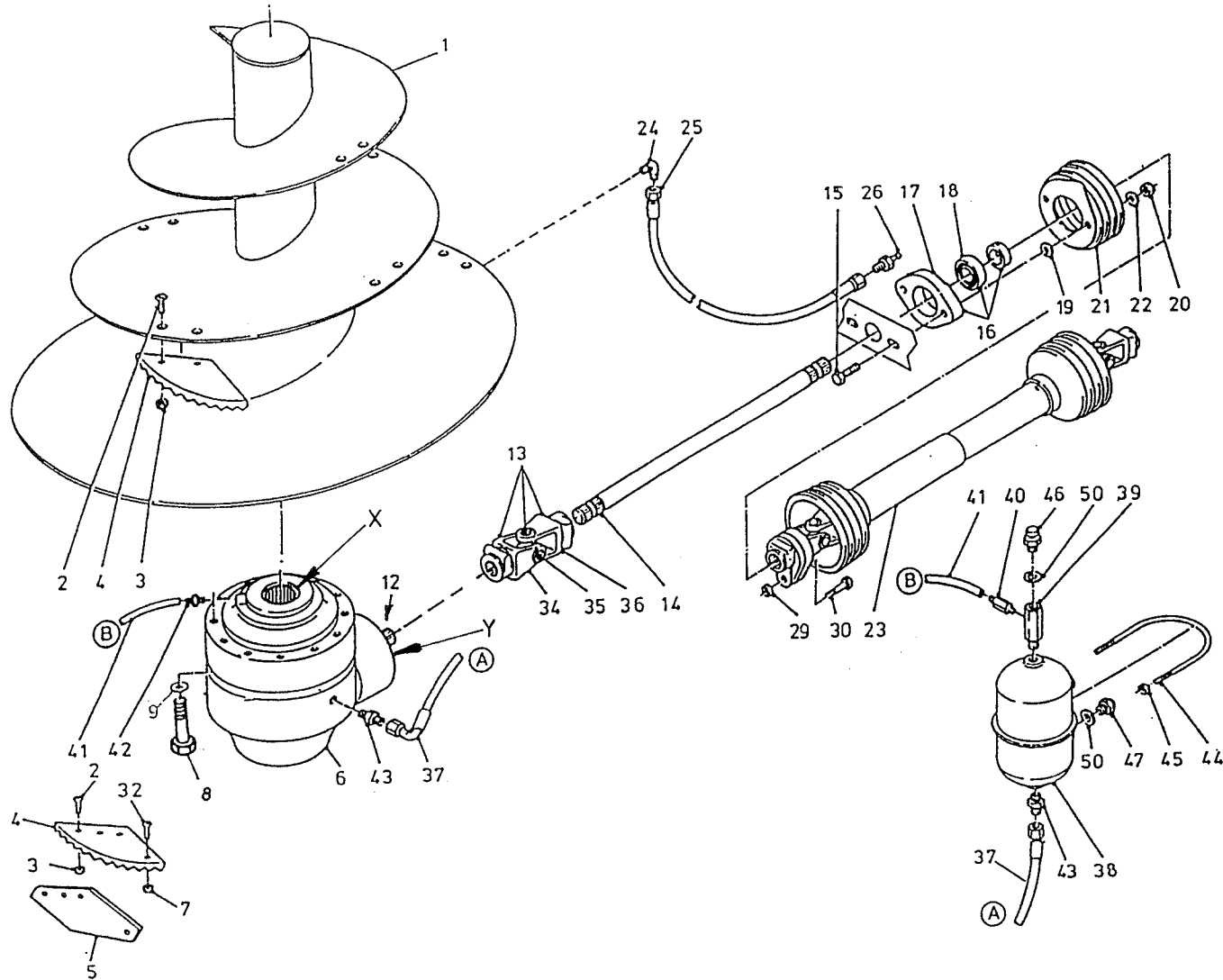
bestelnummer  
ordernummer  
Num. à commander  
Bestellnummer

|     |        |    |                  |
|-----|--------|----|------------------|
| 26  | 89518  | 1  |                  |
| 29  | 86208  | 6  | M8               |
| 30  | 80860  | 1  | M8 x 60 8.8      |
| 32  | 84101  | 5  | M8 x 20          |
| 34A | 90440  | 1  | Ø 48/14 W2500    |
| 34B | 90563  | 1  | 1 3/8"-6 W2500   |
| 34C | 90562  | 1  | 1 3/4"-20 W2500  |
| 34D | 90801  | 1  | 1 3/4"- 20 W2400 |
| 35A | 90561  | 1  | W2500            |
| 35B | 90729  | 1  | W2400            |
| 36A | 90563  | 1  | 1 3/8" W2500     |
| 36B | 90730  | 1  | 1 3/8" - 6 W2400 |
| 37  | W50665 | 1  | 3/8"1850 RH      |
| 38  | 90443  | 1  |                  |
| 39  | 50176  | 1  |                  |
| 40  | 50200  | 1  |                  |
| 41  | 50950  | 1  |                  |
| 42  | 50199  | 1  |                  |
| 43  | X50112 | 2  |                  |
| 44  | 84191  | 1  |                  |
| 45  | 86206  | 2  | M6               |
| 46  | 90567  | 1  |                  |
| 47  | 90566  | 2  |                  |
| 48  | 85114  | 12 | M14              |
| 49  | 86214  | 12 | M14              |
| 50  | 85215  | 3  |                  |
| X   | 05443  | 1  | BRE              |
| X   | 70156  | 1  | SOM              |
| X   | 70160  | 1  | RR               |
| Y   | 05444  | 1  | BRE              |
| Y   | 70174  | 1  | SOM              |
| Y   | 70163  | 1  | RR               |

92126/5

Afbeelding 6B : Aandrijving en mengvijzel 14 m<sup>3</sup>

Abbildung 6B : Schnecke und Antrieb 14 m<sup>3</sup>



bestelnummer  
 ordernummer  
 Num. à commander  
 Bestellnummer

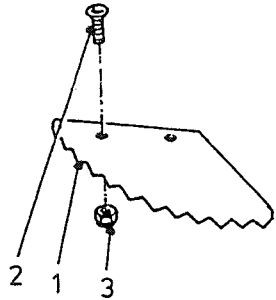
|    |        |    |               |
|----|--------|----|---------------|
| 1  | 12104  | 1  |               |
| 2A | 84120  | 27 | M16x50        |
| 2B | 84121  | 27 | M16 x 45      |
| 3  | 86216  | 27 | M16           |
| 4A | 31639  | 9  | L=550→I 01    |
| 4B | 31841  | 9  | L=350 I→ 02   |
| 5  | 31640  | 9  | →I 01         |
| 6  | 90684  | 1  | BR Ø45/14     |
| 7  | 86208  | 9  | M8            |
| 8  | 84485  | 13 | M16x140 10.9  |
| 9  | 85116  | 13 | M16           |
| 12 | 88371  | 1  | 14 x 9 x 70   |
| 13 | 90537  | 1  | Ø45-1 ¾- 6    |
| 14 | 31761  | 1  | L=1520        |
| 15 | 81251  | 2  | M12 x 50      |
| 16 | 70133  | 1  |               |
| 18 | 70135  | 1  |               |
| 19 | 85119  | 2  | M12           |
| 20 | 86112  | 2  | M12           |
| 21 | 90499  | 1  |               |
| 22 | 85012  | 2  | M12           |
| 23 | 90496  | 1  | W2500         |
| 24 | 50107  | 1  |               |
| 25 | 50957  | 1  | ¼" 1520 RR    |
| 26 | 89518  | 1  |               |
| 29 | 86210  | 1  | M10           |
| 30 | 81060  | 1  | M 10 x 60 8.8 |
| 32 | 84101  | 9  | →I 01         |
| 34 | 90605  | 1  | Ø45/14 W2500  |
| 35 | 90561  | 1  |               |
| 36 | 90608  | 1  | 1 ¾-6         |
| 37 | W50665 | 1  | ¾" 1850 RH    |
| 38 | 90443  | 1  |               |
| 39 | 50176  | 1  |               |
| 40 | 50200  | 1  |               |
| 41 | 50950  | 1  |               |
| 42 | 50199  | 1  |               |
| 43 | X50112 | 2  |               |
| 44 | 84191  | 1  |               |
| 45 | 86206  | 2  |               |
| 46 | 90567  | 1  |               |
| 47 | 90566  | 2  |               |
| 50 | 85215  | 3  |               |
| X  | 05445  | 1  |               |
| Y  | 05444  | 1  |               |



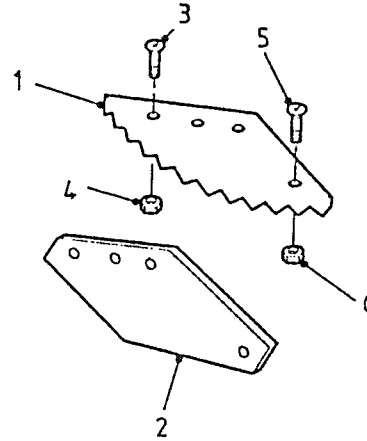
92126/5

Afbeelding 6C : Vijzelmessen  
 Abbildung 6C : Schneckenmesser

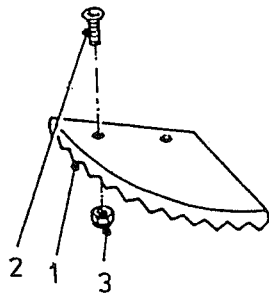
Standaard L=350



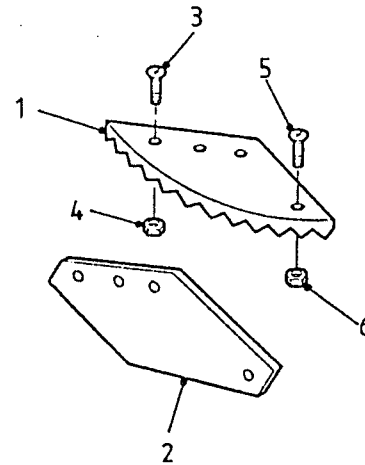
Standaard L=550



L=350 + TC



L=550 + TC



bestelnummer  
 ordernummer  
 Num. à commander  
 Bestellnummer

Standaard

|   |       |   |          |
|---|-------|---|----------|
| 1 | 31841 | 1 |          |
| 2 | 84121 | 2 | M16 x 45 |
| 3 | 86216 | 2 | M16      |

L = 350 + TC

|   |         |   |          |
|---|---------|---|----------|
| 1 | 31841TC | 1 |          |
| 2 | 84121   | 2 | M16 x 45 |
| 3 | 86216   | 2 | M16      |

L = 550

|   |       |   |          |
|---|-------|---|----------|
| 1 | 31639 | 1 |          |
| 2 | 31640 | 1 |          |
| 3 | 84188 | 3 | M16 x 55 |
| 4 | 86216 | 3 | M16      |
| 5 | 84125 | 1 | M8 x 25  |
| 6 | 86208 | 1 | M8       |

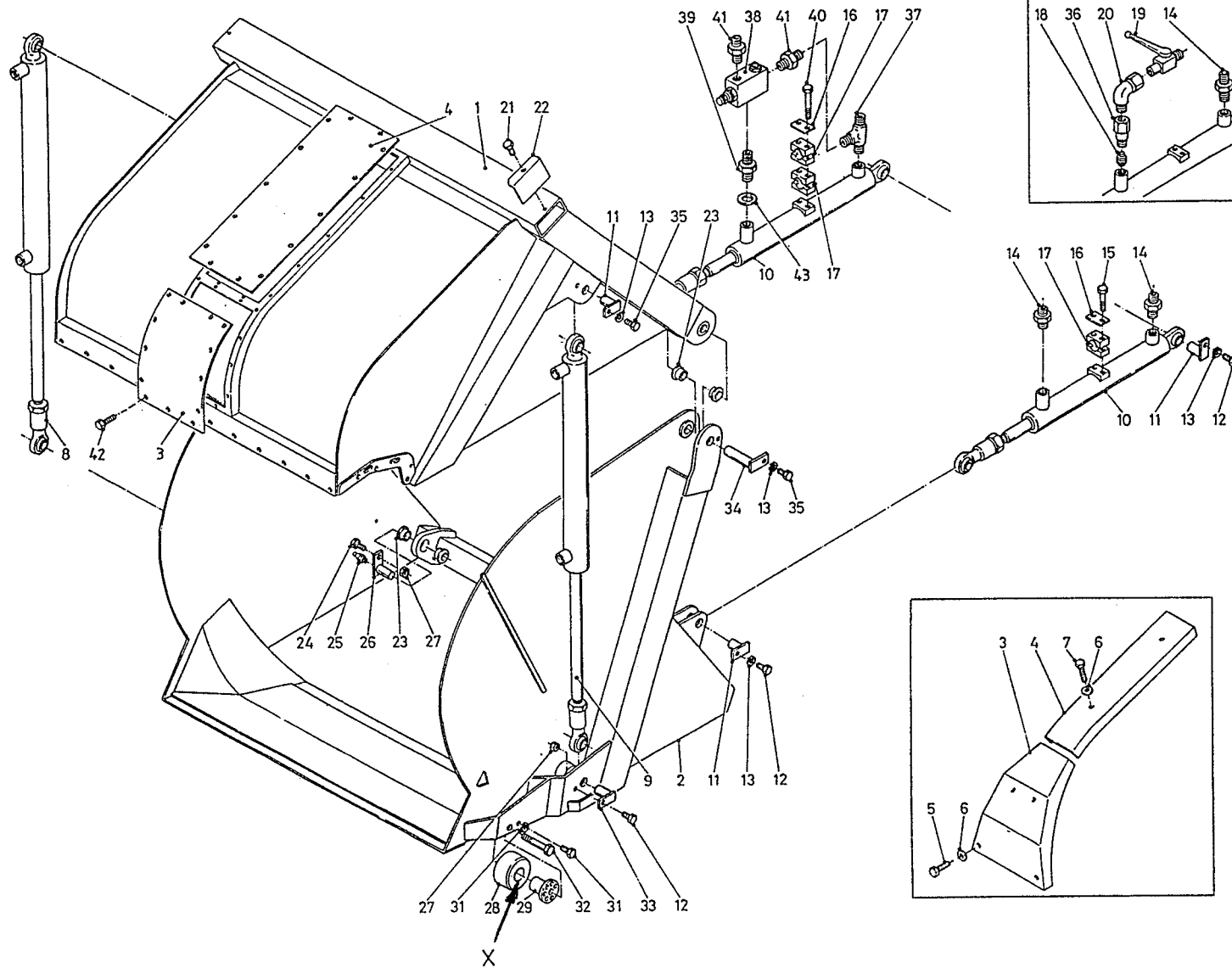
L= 550 + TC

|   |         |   |          |
|---|---------|---|----------|
| 1 | 31639TC | 1 |          |
| 2 | 31640   | 1 |          |
| 3 | 84188   | 3 | M16 x 55 |
| 4 | 86216   | 3 | M16      |
| 5 | 84125   | 1 | M8 x 25  |
| 6 | 86208   | 1 | M8       |

92126/5

Afbeelding 7A : Snij - Laadklep

Abbildung 7A : Schneid - Ladeklappe



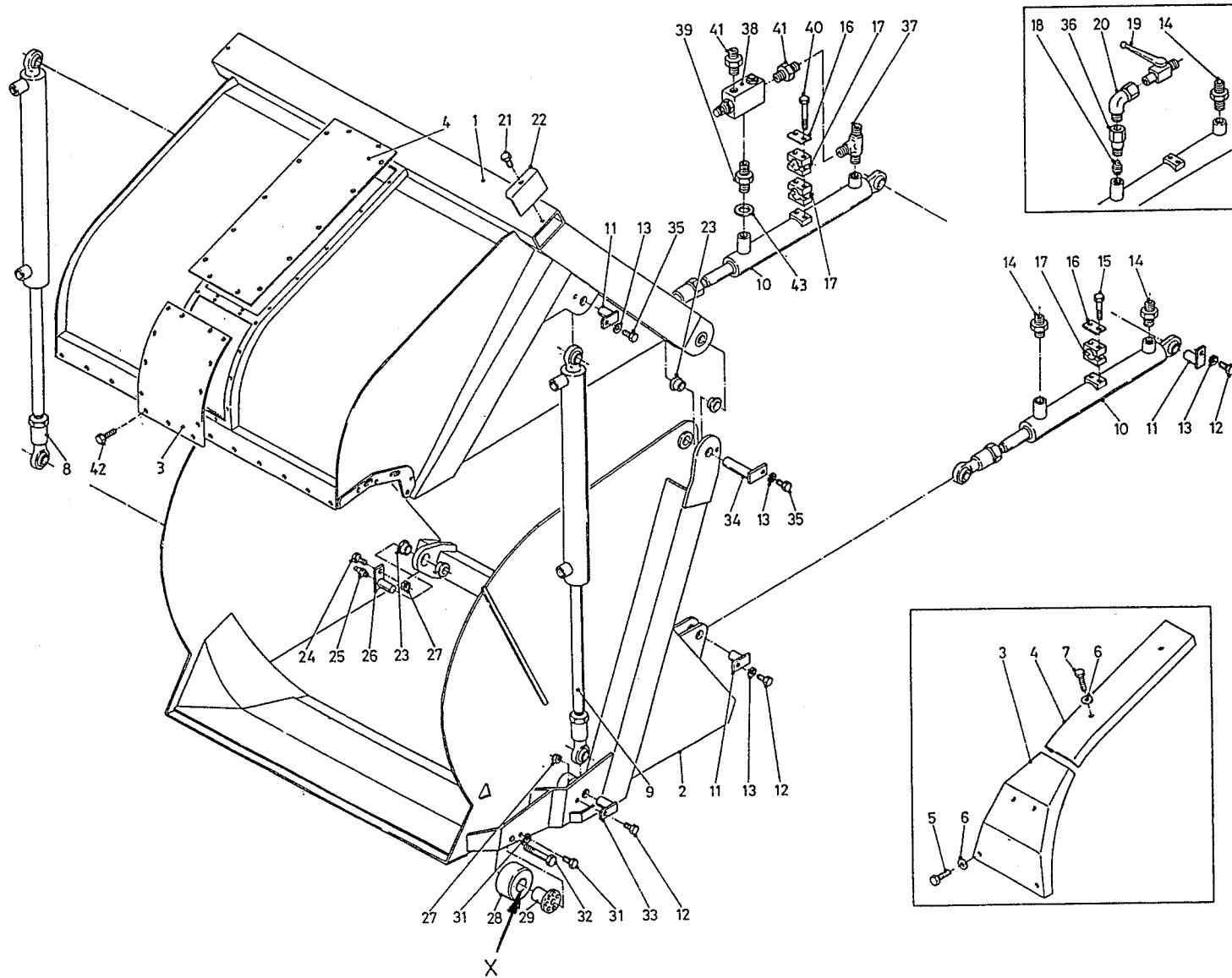
bestelnummer  
 ordernummer  
 Num. à commander  
 Bestellnummer

|     |        |   |   |
|-----|--------|---|---|
| 1A  | 11834  | 1 | 8m <sup>3</sup>                         |
| 1B  | 12076  | 1 | 10m <sup>3</sup>                        |
| 1C  | 12254  | 1 | 12m <sup>3</sup>                        |
| 1D  | 12137  | 1 | 14m <sup>3</sup>                        |
| 2A  | 11833  | 1 | 8m <sup>3</sup>                         |
| 2B  | 12075  | 1 | 10m <sup>3</sup>                        |
| 2C  | 12253  | 1 | 12m <sup>3</sup>                        |
| 2D  | 12133  | 1 | 14m <sup>3</sup>                        |
| 3A  | 12014  | 1 | →101                                    |
| 3B  | 40494  | 1 | 8m <sup>3</sup> /10m <sup>3</sup>  →02  |
| 3C  | 40499  | 1 | 12m <sup>3</sup>                        |
| 3D  | 12139  | 1 | 14m <sup>3</sup>                        |
| 4A  | 40447  | 1 | →101                                    |
| 4B  | 40493  | 1 | 8m <sup>3</sup> /10m <sup>3</sup>  →02  |
| 4C  | 40534  | 1 | 12m <sup>3</sup>                        |
| 4D  | 40488  | 1 | 14m <sup>3</sup>                        |
| 5   | 80890  | 4 | M8 x 90                                 |
| 6   | 85108  | 6 | M8                                      |
| 7   | 80860  | 2 | M8 x 60                                 |
| 8A  | 51089  | 1 | Ø 140 8m <sup>3</sup> /10m <sup>3</sup> |
| 8B  | 51139  | 1 | Ø 140 12m <sup>3</sup>                  |
| 8C  | 51157  | 1 | Ø 145 14m <sup>3</sup>                  |
| 9A  | 51090  | 1 | Ø 150 8m <sup>3</sup> /10m <sup>3</sup> |
| 9B  | 51140  | 1 | Ø 150 12m <sup>3</sup>                  |
| 9C  | 51158  | 1 | Ø 160 14m <sup>3</sup>                  |
| 10A | 51106  | 2 | 8m <sup>3</sup>                         |
| 10B | 51116  | 2 | 10m <sup>3</sup> / 12m <sup>3</sup>     |
| 10C | 51159  | 1 | 14m <sup>3</sup>                        |
| 10D | 51171  | 2 | 12m <sup>3</sup>  → 03                  |
| 11  | 11627  | 6 |   |
| 12  | 81235  | 6 | M12 x 35                                |
| 13  | 85012  | 8 | M12                                     |
| 14  | X50102 | 3 |   |
| 15  | 80641  | 4 | M6 x 40                                 |
| 16  | 90434  | 2 |   |
| 17  | 90433  | 2 |   |
| 18  | 53270  | 1 | 0,65mm  →01                             |
| 19  | 51044  | 1 | →01                                     |
| 21  | 80810  | 2 | M8 x 10                                 |

92126/5

Afbeelding 7A : Snij - Laadklep

Abbildung 7A : Schneid - Ladeklappe



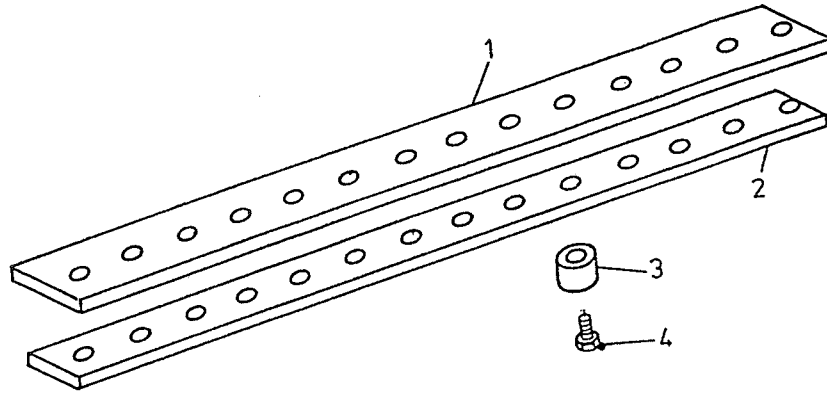
bestelnummer  
ordernummer  
Num. à commander  
Bestellnummer

|     |        |    |                  |
|-----|--------|----|------------------|
| 22  | 40446  | 2  | 8m³/10m³/14m³    |
| 22A | 40501  | 1  | 12m³ Rechts → 01 |
| 22B | 40500  | 1  | 12m³ Links ← 01  |
| 22C | 40533  | 2  | 12m³ Links  →02  |
| 23  | 51751  | 8  |                  |
| 24  | 81251  | 2  | M12 x 50         |
| 25  | 89517  | 2  |                  |
| 26  | 11628  | 2  |                  |
| 27  | 86212  | 4  | M12              |
| 28  | 32033  | 2  |                  |
| 29  | 11954  | 2  |                  |
| 30  | 85008  | 2  | M8               |
| 31A | 80821  | 2  | M8 x 20          |
| 31B | 81020  | 2  | M10 x 20         |
| 32  | 81610  | 2  | M16 x 100        |
| 33  | 12060  | 2  |                  |
| 34  | 11963  | 2  |                  |
| 35  | 81226  | 4  | M12 x 25         |
| 36  | 31669  | 1  | → 01             |
| 37  | X50310 | 1  |                  |
| 38  | 53402  | 1  |                  |
| 39  | 50189  | 1  |                  |
| 40  | 80675  | 2  | M6 x 75          |
| 41  | X50116 | 2  |                  |
| 42  | 84713  | 27 | M8 x 16          |
| 43  | 85250  | 1  |                  |
| X   | 78118  | 2  | Ø50 x 3 70°      |

92126/5

Afbeelding 7B : Afdichtingen  
 Abbildung 7B : Abdichtungen

SERIE 01



bestelnummer  
 ordernummer  
 Num. à commander  
 Bestellnummer

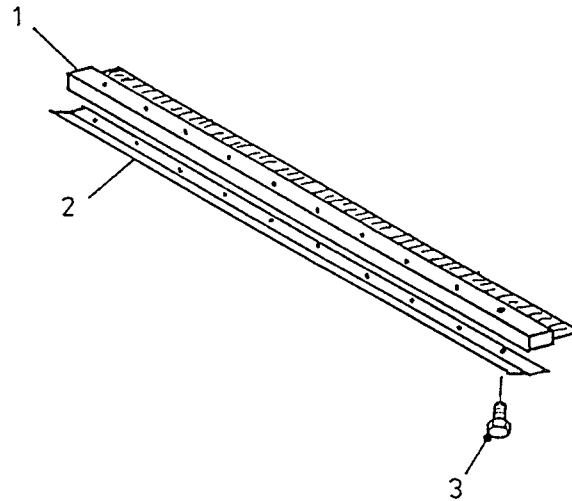
serie 01

|   |       |    |          |
|---|-------|----|----------|
| 1 | 60362 | 1  | M10 x 23 |
| 2 | 27703 | 1  |          |
| 3 | 52651 | 13 |          |
| 4 | 84925 | 13 |          |

serie 02

|   |       |    |         |
|---|-------|----|---------|
| 1 | 60389 | 1  | M6 x 16 |
| 2 | 28679 | 1  |         |
| 3 | 84109 | 22 |         |

SERIE 02



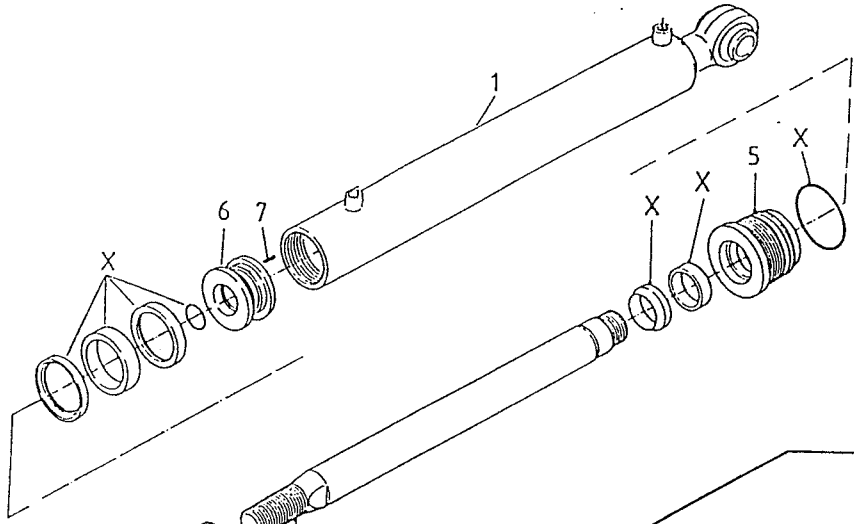
92126/5

Afbeelding 8A

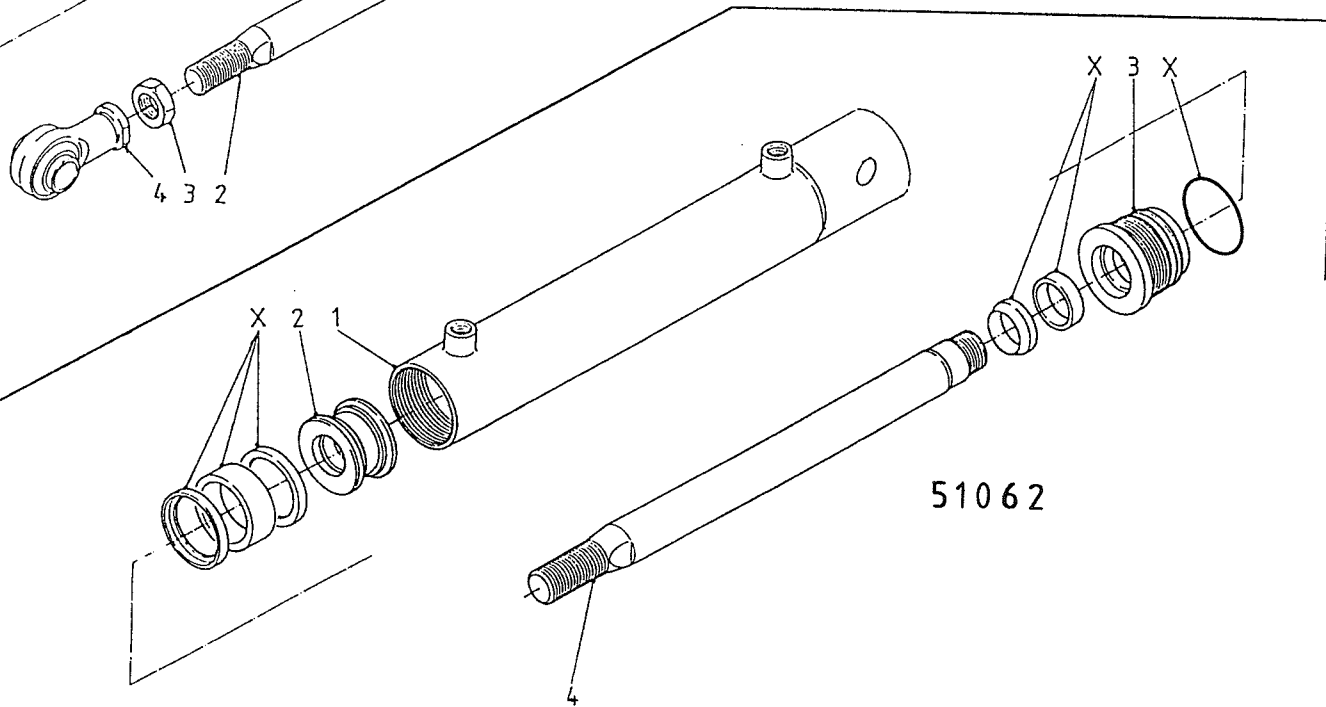
: Laadklepcilinder 8m<sup>3</sup> / 10m<sup>3</sup> / 12m<sup>3</sup> → I 02 en doseerklep-cilinder

Abbildung 8A

: Ladeklappe zylinder 8m<sup>3</sup> / 10m<sup>3</sup> / 12m<sup>3</sup> → I 02 und Dosierschieberzylinder



51106-51116



51062

bestelnummer  
 ordernummer  
 Num. à commander  
 Bestellnummer

51106 8m<sup>3</sup>

|   |       |   |         |
|---|-------|---|---------|
| 1 | 11972 | 1 |         |
| 2 | 31698 | 1 |         |
| 3 | 86140 | 1 | M40 x 2 |
| 4 | 11671 | 1 |         |
| 5 | 30909 | 1 |         |
| 6 | 31446 | 1 |         |
| 7 | 84119 | 1 | M6 x 10 |
| X | 05296 | 1 |         |

51116 10m<sup>3</sup> / 12m<sup>3</sup> → I 02

|   |       |   |         |
|---|-------|---|---------|
| 1 | 11972 | 1 |         |
| 2 | 31779 | 1 |         |
| 3 | 86140 | 1 | M40 x 2 |
| 4 | 11671 | 1 |         |
| 5 | 30909 | 1 |         |
| 6 | 31446 | 1 |         |
| 7 | 84119 | 1 | M6 x 10 |
| X | 05296 | 1 |         |

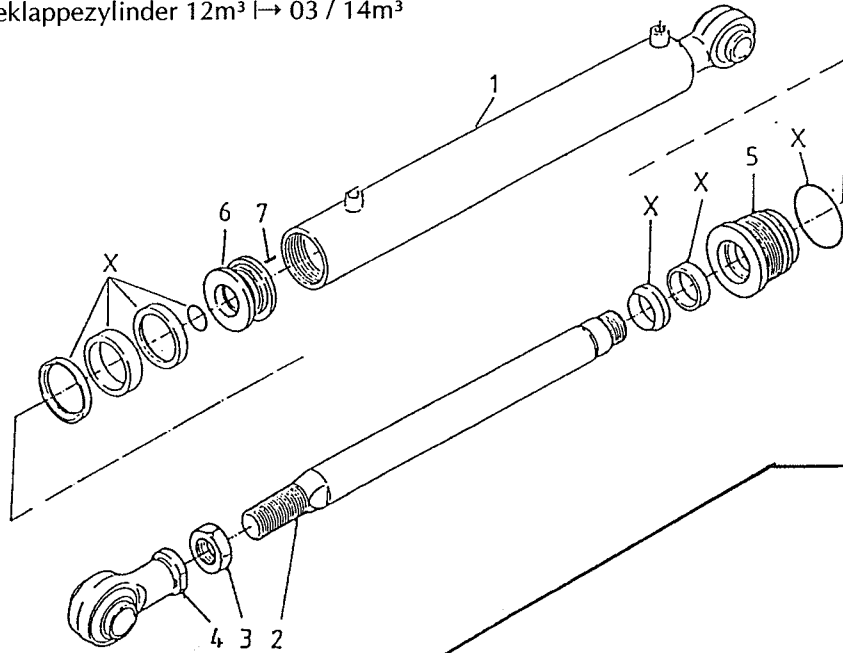
51062

|   |       |   |  |
|---|-------|---|--|
| 1 | 11600 | 1 |  |
| 2 | 30860 | 1 |  |
| 3 | 31460 | 1 |  |
| 4 | 31459 | 1 |  |
| X | 05317 | 1 |  |

92126/5

Afbeelding 8B : Laadklepcilinder 12m<sup>3</sup> l→ 03 / 14m<sup>3</sup>

Abbildung 8B : Ladeklappezylinder 12m<sup>3</sup> l→ 03 / 14m<sup>3</sup>



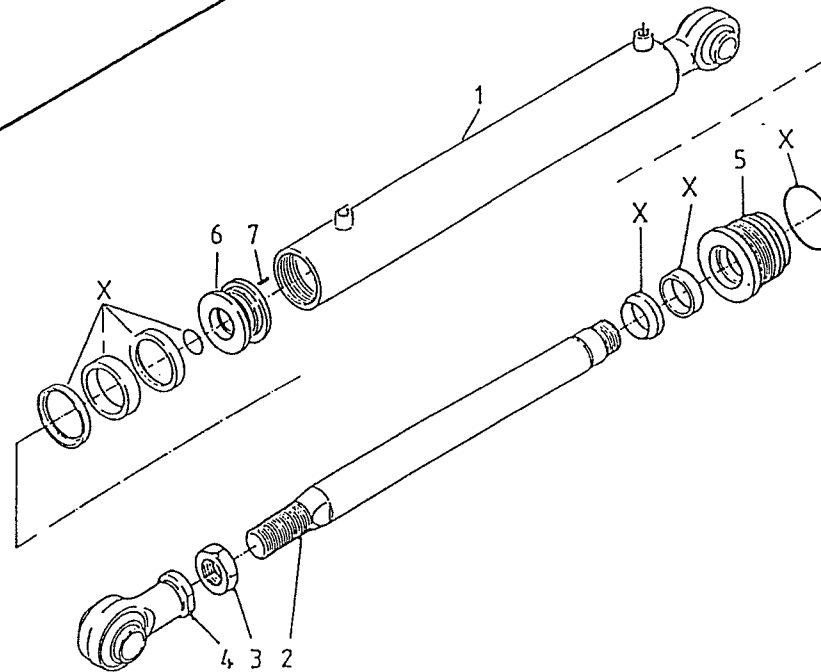
51171

bestelnummer  
 ordernummer  
 Num. à commander  
 Bestellnummer

51171 12m<sup>3</sup> l→ 03

|   |       |   |         |
|---|-------|---|---------|
| 1 | 12530 | 1 |         |
| 2 | 32035 | 1 |         |
| 3 | 86140 | 1 | M40 x 2 |
| 4 | 11671 | 1 |         |
| 5 | 31243 | 1 |         |
| 6 | 31245 | 1 |         |
| 7 | 84119 | 1 | M6 x 10 |
| X | 05230 | 1 |         |

51119

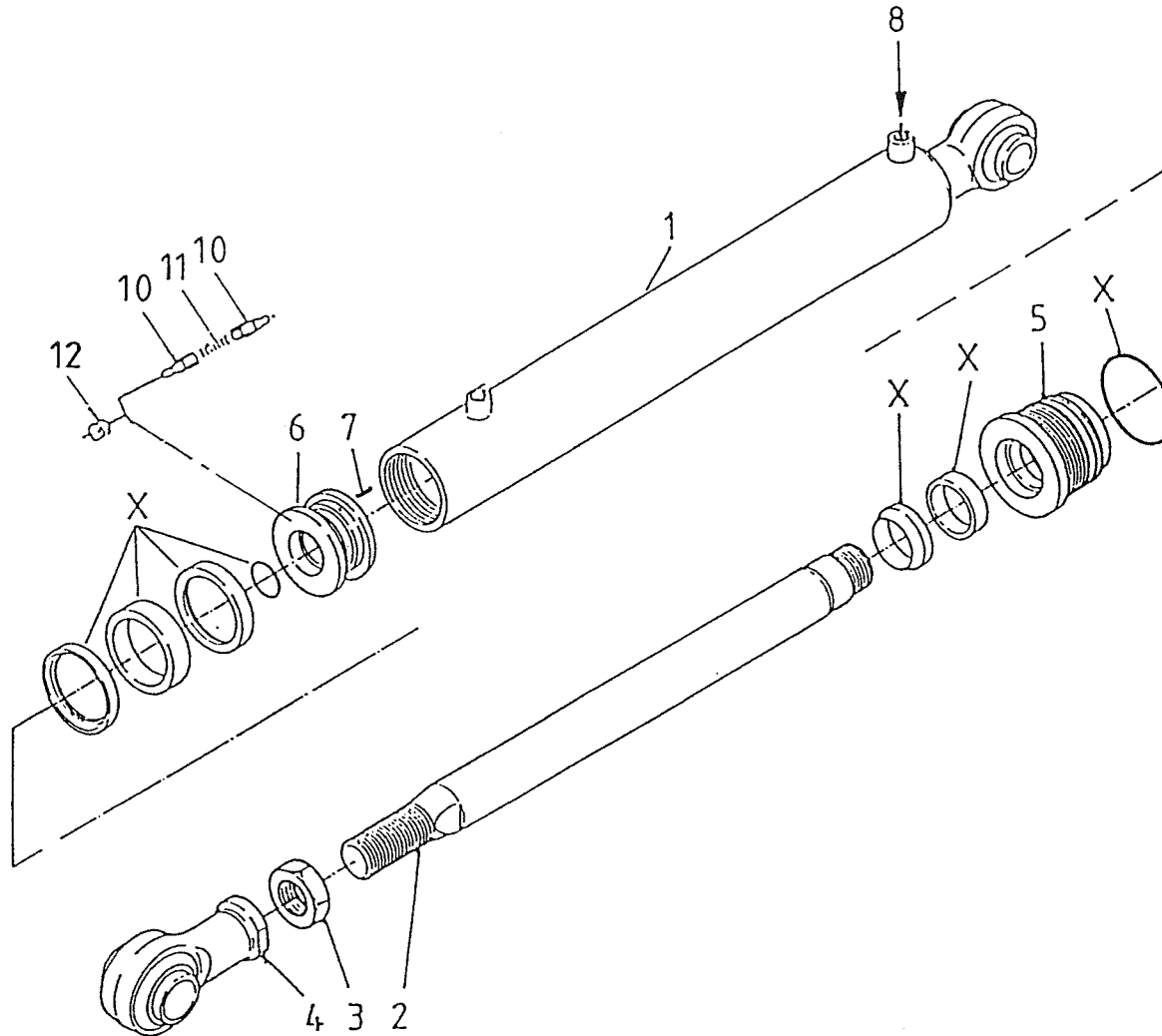


51119 14m<sup>3</sup>

|   |       |   |         |
|---|-------|---|---------|
| 1 | 12459 | 1 |         |
| 2 | 31988 | 1 |         |
| 3 | 86140 | 1 | M40 x 2 |
| 4 | 11671 | 1 |         |
| 5 | 31243 | 1 |         |
| 6 | 31245 | 1 |         |
| 7 | 84119 | 1 | M6 x 10 |
| X | 05230 | 1 |         |

**92126/5**

Afbeelding 9A : Mastercilinder / Slavecilinder 8m<sup>3</sup> / 10m<sup>3</sup> / 12m<sup>3</sup>  
 Abbliding 9A : Masterzylinder / Slavezylinder 8m<sup>3</sup> / 10m<sup>3</sup> / 12m<sup>3</sup>



bestelnummer  
 ordernummer  
 Num. à commander  
 Bestellnummer

**Master 51089/ 51139**

|    |       |   |   |
|----|-------|---|---|
| 1A | 11870 | 1 | Ø 140 8m <sup>3</sup> -10m <sup>3</sup> |
| 1B | 12239 | 1 | Ø 140 12m <sup>3</sup>                  |
| 2A | 31563 | 1 | 8m <sup>3</sup> -10m <sup>3</sup>       |
| 2B | 31855 |   | 12m <sup>3</sup>                        |
| 3  | 86140 | 1 | M40 x 2                                 |
| 4  | 11671 | 1 |   |
| 5  | 31559 | 1 |   |
| 6  | 31558 | 1 |   |
| 7  | 84119 | 1 | M6 x 10                                 |
| 8  | 53173 | 1 | Ø 2 mm                                  |
| 10 | 31277 | 2 |   |
| 11 | 65062 | 1 |   |
| 12 | 30870 | 1 |   |
| X  | 05334 | 1 |   |

**Slave 51090/ 51140**

|    |       |   |  |
|----|-------|---|--|
| 1A | 11871 | 1 | Ø 150 8m <sup>3</sup> 10m <sup>3</sup> - |
| 1B | 12240 | 1 | Ø 150 12m <sup>3</sup>                   |
| 2A | 31563 | 1 | 8m <sup>3</sup> -10m <sup>3</sup>        |
| 2B | 31855 | 1 | 12m <sup>3</sup>                         |
| 3  | 86140 | 1 | M40 x 2                                  |
| 4  | 11671 | 1 |  |
| 5  | 31565 | 1 |  |
| 6  | 31564 | 1 |  |
| 7  | 84119 | 1 | M6 x 10                                  |
| 8  | 53173 | 1 | Ø 2 mm                                   |
| 10 | 31277 | 2 |  |
| 11 | 65062 | 1 |  |
| 12 | 30870 | 1 |  |
| X  | 05335 |   |  |

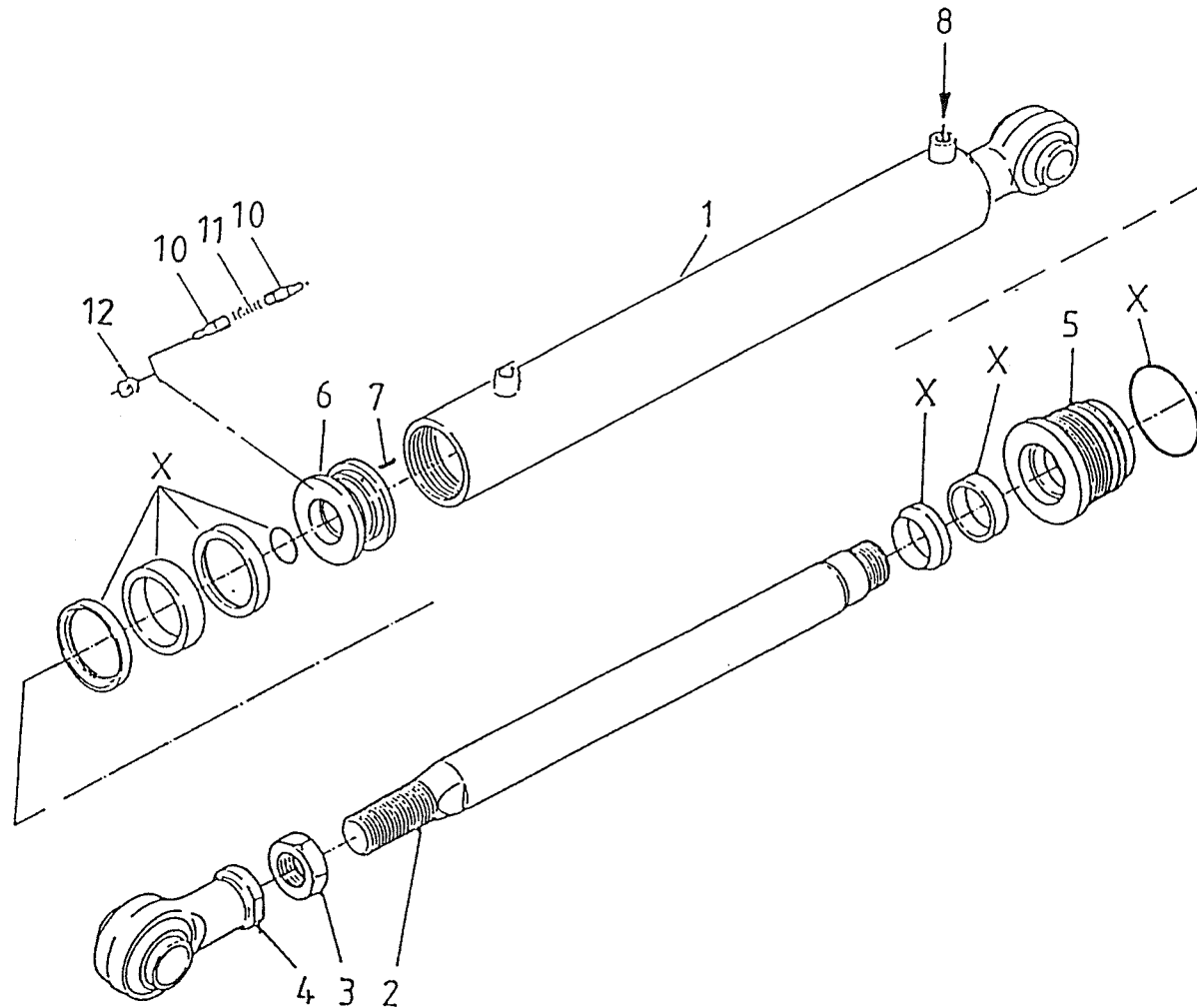
92126/5

Afbeelding 9B

: Mastercilinder / Slavecilinder 14m<sup>3</sup>

Abbildung 9B

: Masterzylinder / Slavezylinder 14m<sup>3</sup>



bestelnummer  
 ordernummer  
 Num. à commander  
 Bestellnummer

**Master 51157**

|    |       |   |         |
|----|-------|---|---------|
| 1  | 12447 | 1 | Ø 145   |
| 2  | 31974 | 1 |         |
| 3  | 86140 | 1 | M40 x 2 |
| 4  | 11671 | 1 |         |
| 5  | 31976 | 1 |         |
| 6  | 31975 | 1 |         |
| 7  | 84119 | 1 | M6 x 10 |
| 8  | 53173 | 1 | Ø 2 mm  |
| 10 | 31277 | 2 |         |
| 11 | 65062 | 1 |         |
| 12 | 30870 | 1 |         |
| X  | 05411 | 1 |         |

**Slave 51158**

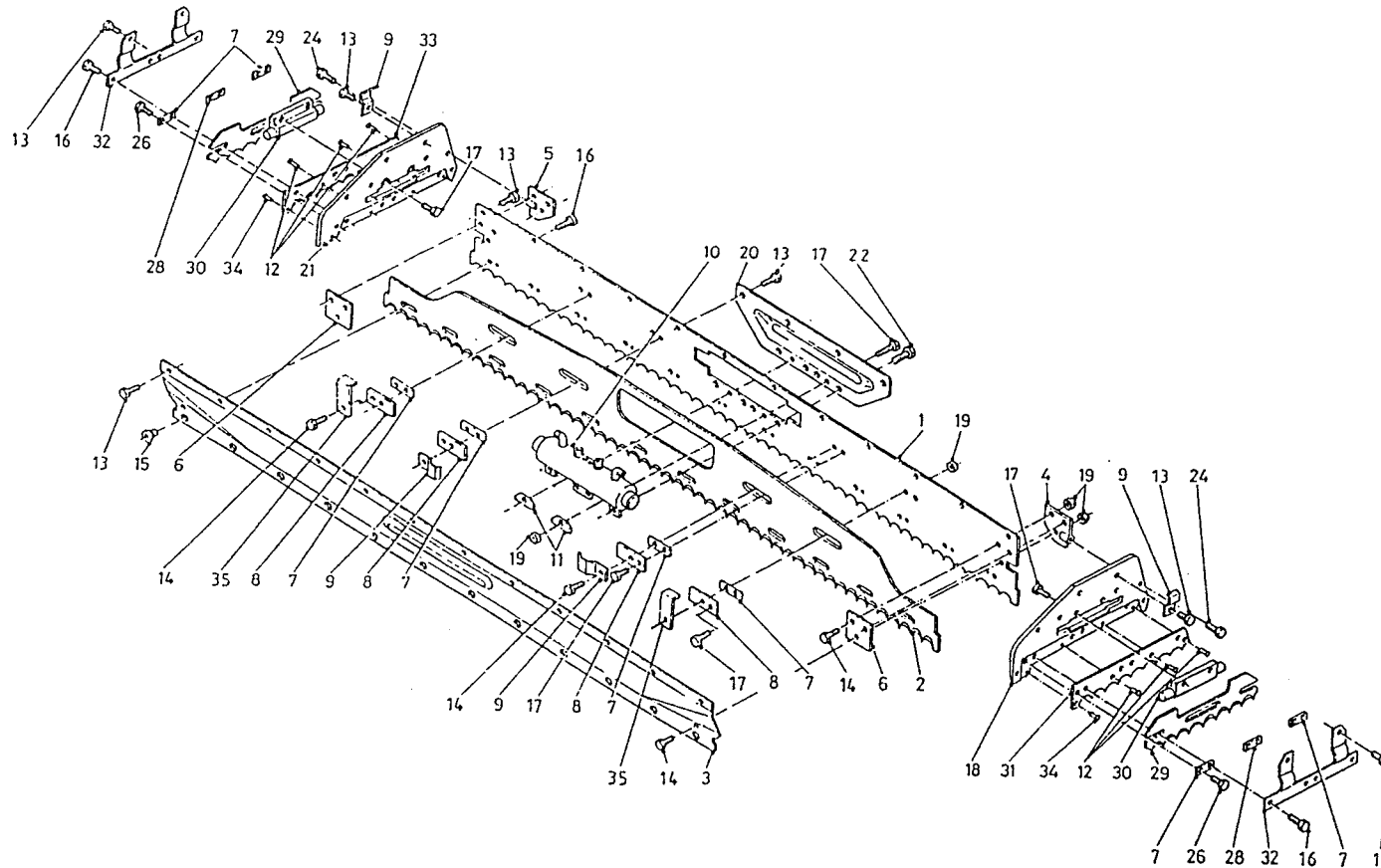
|    |       |   |         |
|----|-------|---|---------|
| 1  | 12448 | 1 | Ø 160   |
| 2  | 31979 | 1 |         |
| 3  | 86140 | 1 | M40 x 2 |
| 4  | 11671 | 1 |         |
| 5  | 31981 | 1 |         |
| 6  | 31980 | 1 |         |
| 7  | 84119 | 1 | M6 x 10 |
| 8  | 53173 | 1 | Ø 2 mm  |
| 10 | 31277 | 2 |         |
| 11 | 65062 | 1 |         |
| 12 | 30870 | 1 |         |
| X  | 05411 | 1 |         |



92126/5

Afbeelding 10A : Snijstelsel →I 03

Abbildung 10A : Schneidvorrichtung →I 03

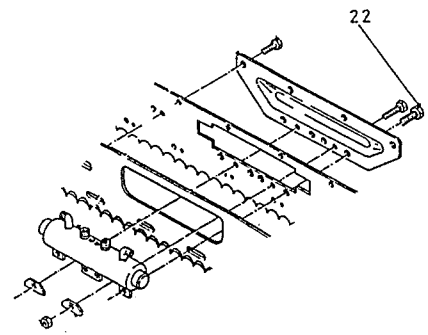


bestelnummer  
ordernummer  
Num. à commander  
Bestellnummer

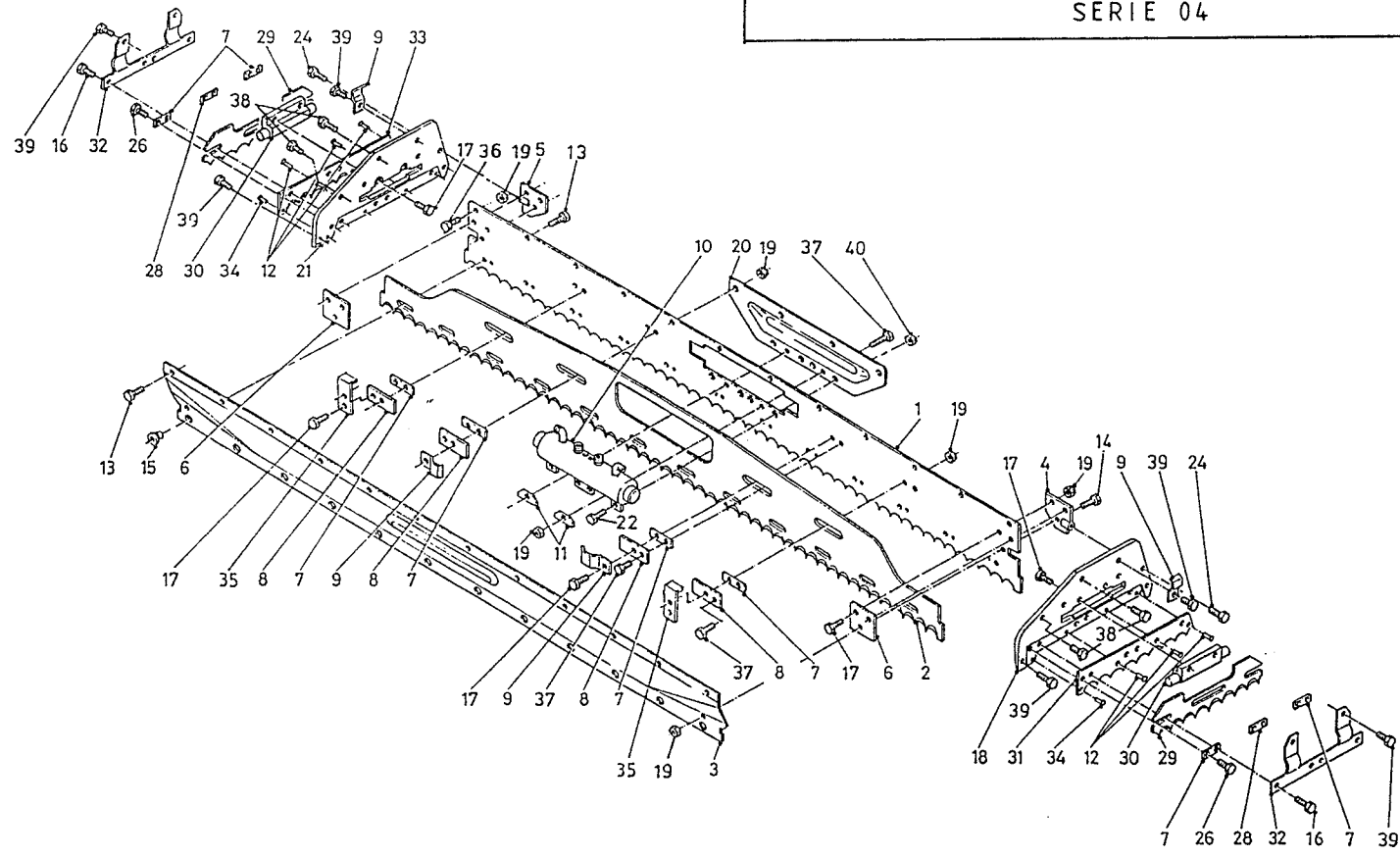
|     |       |      |  |
|-----|-------|------|--|
| 1A  | 11836 | 1    | 8m <sup>3</sup> →I01                   |
| 1A  | 24902 | 1    | 8m <sup>3</sup> I→02 8mm               |
| 1B  | 12079 | 1    | 10m <sup>3</sup>                       |
| 1B  | 25734 | 1    | 10m <sup>3</sup> -12m <sup>3</sup> 8mm |
| 2A  | 24907 | 1    | 8m <sup>3</sup>                        |
| 2B  | 25736 | 1    | 10m <sup>3</sup> -12m <sup>3</sup>     |
| 3A  | 11839 | 1    | 8m <sup>3</sup> →I01                   |
| 3A  | 26385 | 1    | 8m <sup>3</sup> I→02                   |
| 3B  | 26387 | 1    | 10m <sup>3</sup> -12m <sup>3</sup>     |
| 4   | 12327 | 1    | Links                                  |
| 5   | 12328 | 1    | Rechts                                 |
| 6   | 26184 | 2    |  |
| 7   | 25636 | 8-10 |  |
| 8   | 25637 | 4-6  |  |
| 9   | 24153 | 4    |  |
| 10  | 51078 | 1    |  |
| 11  | 25624 | 2    |  |
| 12  | 85201 | 6    | Ø 5 x 12                               |
| 13  | 83916 | 36   | M10 x 16                               |
| 14  | 83915 | 10   | M10 x 30                               |
| 15  | 31862 | 12   |  |
| 16  | 84926 | 20   | M10 x 19                               |
| 17  | 83921 | 10-  | M10 x 19                               |
| 18A | 12031 | 1    | →I01                                   |
| 18B | 12155 | 1    | I→02                                   |
| 19  | 86810 | 16   | M10                                    |
| 20  | 26838 | 1    |  |
| 21A | 12032 | 1    | →I01                                   |
| 21B | 12156 | 1    | I→02                                   |
| 22  | 83923 | 4    | M12 x 20                               |
| 24  | 83937 | 2    | M12 x 30                               |
| 26  | 84802 | 4    | M10 x 20                               |
| 28  | 25638 | 1    |  |
| 29  | 24263 | 1    |  |
| 30  | 51115 | 2    |  |
| 31  | 26066 | 1    |  |
| 32  | 24266 | 2    |  |
| 33  | 26067 | 1    |  |
| 34  | 85245 | 2    | Ø5 x 16                                |
| 35  | 27228 | 2    |  |

92126/5

Afbeelding 10B : Snijstysteem I → 04  
 Abbildung 10B : Schneidvorrichtung I → 04



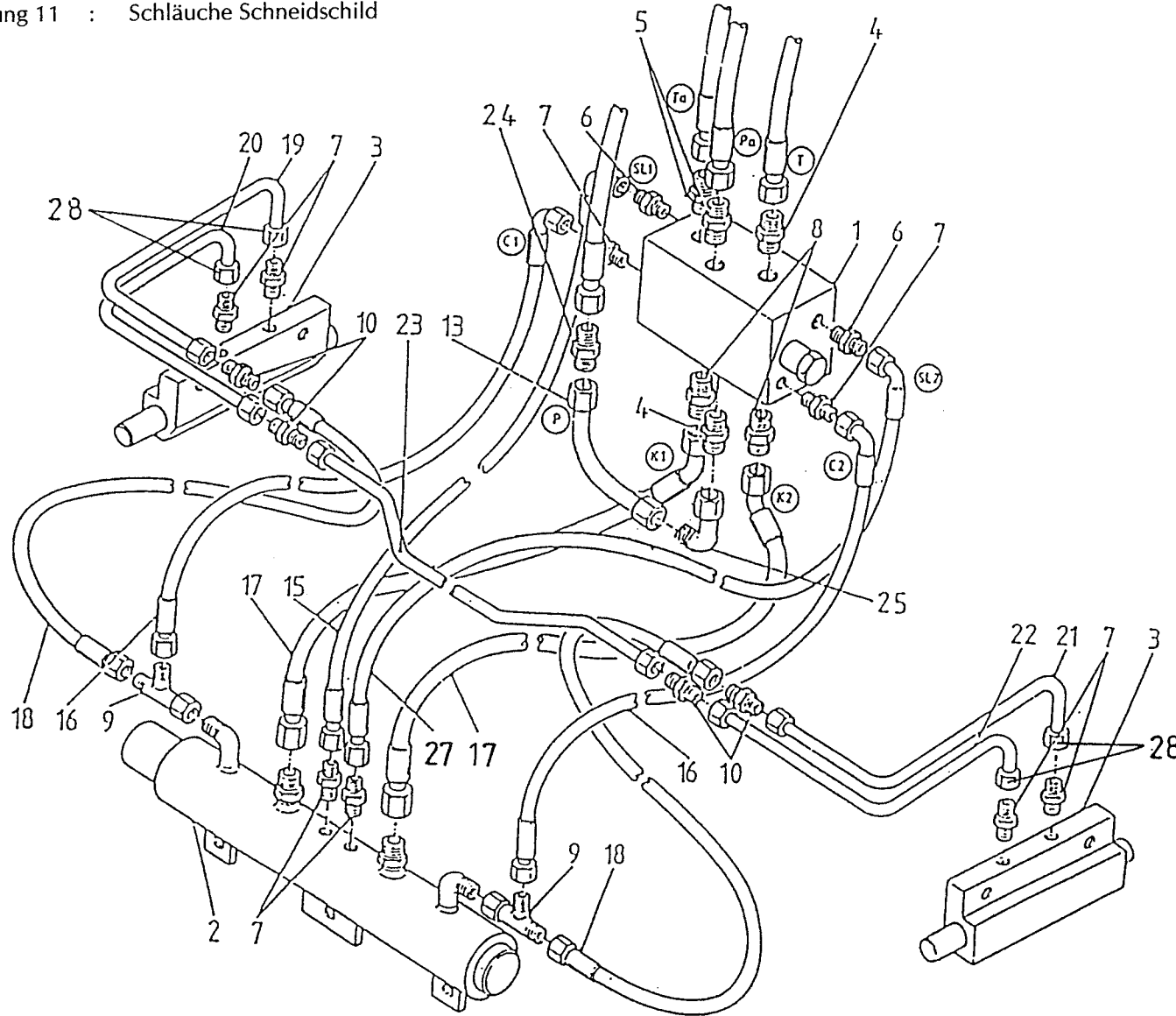
SERIE 04



| bestelnummer     |       | ordernummer   |  |
|------------------|-------|---------------|--|
| Num. à commander |       | Bestellnummer |  |
| 1A               | 26852 | 1             | 8m <sup>3</sup> 4.8 mm                   |
| 1B               | 26854 | 1             | 10m <sup>3</sup> -12m <sup>3</sup> 4.8mm |
| 1C               | 26856 | 1             | 14m <sup>3</sup> 4.8mm                   |
| 2A               | 24907 | 1             | 8m <sup>3</sup>                          |
| 2B               | 25736 | 1             | 10m <sup>3</sup> -12m <sup>3</sup>       |
| 2C               | 26441 | 1             | 14m <sup>3</sup>                         |
| 3A               | 26385 | 1             | 8m <sup>3</sup>                          |
| 3B               | 26387 | 1             | 10m <sup>3</sup> -12m <sup>3</sup>       |
| 3C               | 26390 | 1             | 14m <sup>3</sup>                         |
| 4                | 12413 | 1             | links                                    |
| 5                | 12414 | 1             | rechts                                   |
| 6                | 26184 | 2             |  |
| 7                | 25636 | 8-10          |  |
| 8                | 25637 | 4-6           |  |
| 9                | 24153 | 4             |  |
| 10               | 51078 | 1             |  |
| 11               | 25624 | 2             |  |
| 12               | 85201 | 6             | Ø 5 x 12                                 |
| 13               | 84942 | 24            | M10 x 16                                 |
| 14               | 83915 | 2             | M10 x 30                                 |
| 15               | 31862 | 12            |  |
| 16               | 84926 | 8             | M10 x 19                                 |
| 17               | 83921 | 8             | M10 x 25                                 |
| 18               | 12407 | 1             | Links                                    |
| 19               | 86810 | 28            | M10                                      |
| 20               | 26840 | 1             |  |
| 21               | 12408 | 1             | Rechts                                   |
| 22A              | 83923 | 4             | M12 x 20 →I04                            |
| 22B              | 84808 | 4             | M12 x 30 I→05                            |
| 24               | 83937 | 2             | M12 x 30                                 |
| 26               | 84802 | 4             | M10 x 20                                 |
| 28               | 25638 | 2             |  |
| 29               | 24263 | 2             |  |
| 30               | 51115 | 2             |  |
| 31               | 26066 | 1             |  |
| 32               | 24266 | 2             |  |
| 33               | 26067 | 1             |  |
| 34               | 85245 | 2             | Ø 5 x 16                                 |
| 35               | 27228 | 2             |  |
| 36               | 84925 | 12            | M10 x 23                                 |
| 37               | 83934 | 6             | M10 x 22                                 |
| 38               | 83920 | 4             | M10 x 20                                 |
| 39               | 83916 | 8             | M10 x 16                                 |
| 40               | 86812 | 4             | M12 I→05                                 |

92126/5

Afbeelding 11 : Slangen snijbord  
 Abbildung 11 : Schläuche Schneidschild

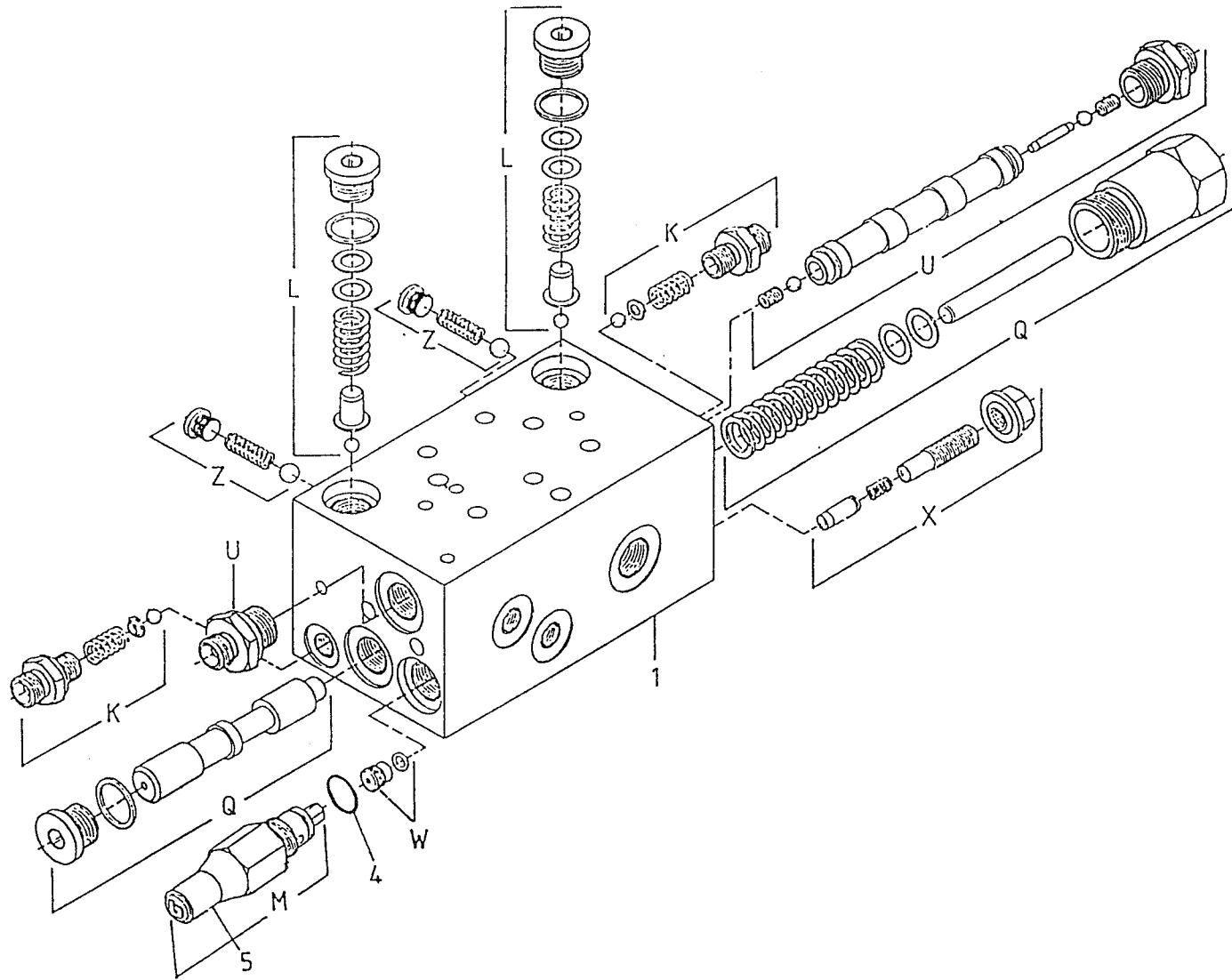


| bestelnummer     |        |   |             |
|------------------|--------|---|-------------|
| ordernummer      |        |   |             |
| Num. à commander |        |   |             |
| Bestellnummer    |        |   |             |
| 1                | 53198  | 1 |             |
| 2                | 51078  | 1 | Ø 50,8      |
| 3                | 51115  | 2 |             |
| 4                | X50138 | 2 |             |
| 5                | X50113 | 2 |             |
| 6                | X50114 | 2 |             |
| 7                | X50104 | 8 |             |
| 8                | X50102 | 2 |             |
| 9                | X50300 | 2 |             |
| 10               | X50135 | 4 |             |
| 13               | 50909  | 1 |             |
| 15               | W50971 | 1 | ¼" 400 H20° |
| 16               | W50895 | 2 | ¼" 300 RH   |
| 17               | W50970 | 2 | ½" 290 R45° |
| 18               | W50896 | 2 | ¼" 460 RR   |
| 19A              | 50955  | 1 | 8m³         |
| 19B              | 50966  | 1 | 10m³/12m³   |
| 19C              | 50981  |   | 14m³        |
| 20A              | 50954  | 1 | 8m³         |
| 20B              | 50967  | 1 | 10m³/12m³   |
| 20C              | 50982  |   | 14m³        |
| 21A              | 50953  | 1 | 8m³         |
| 21B              | 50968  | 1 | 10m³/12m³   |
| 21C              | 50983  |   | 14m³        |
| 22A              | 50952  | 1 | 8m³         |
| 22B              | 50969  | 1 | 10m³ / 12m³ |
| 22C              | 50984  |   | 14m³        |
| 23               | 50890  | 1 |             |
| 24               | X50162 | 1 |             |
| 25               | X50418 | 1 |             |
| 27               | W50972 | 1 | ¼" 400 H20° |
| 28               | 50430  | 4 |             |

92126/5

Afbeelding 12 : Stuurblok inwendig

Abbildung 12 : Steuerblock Innenseite



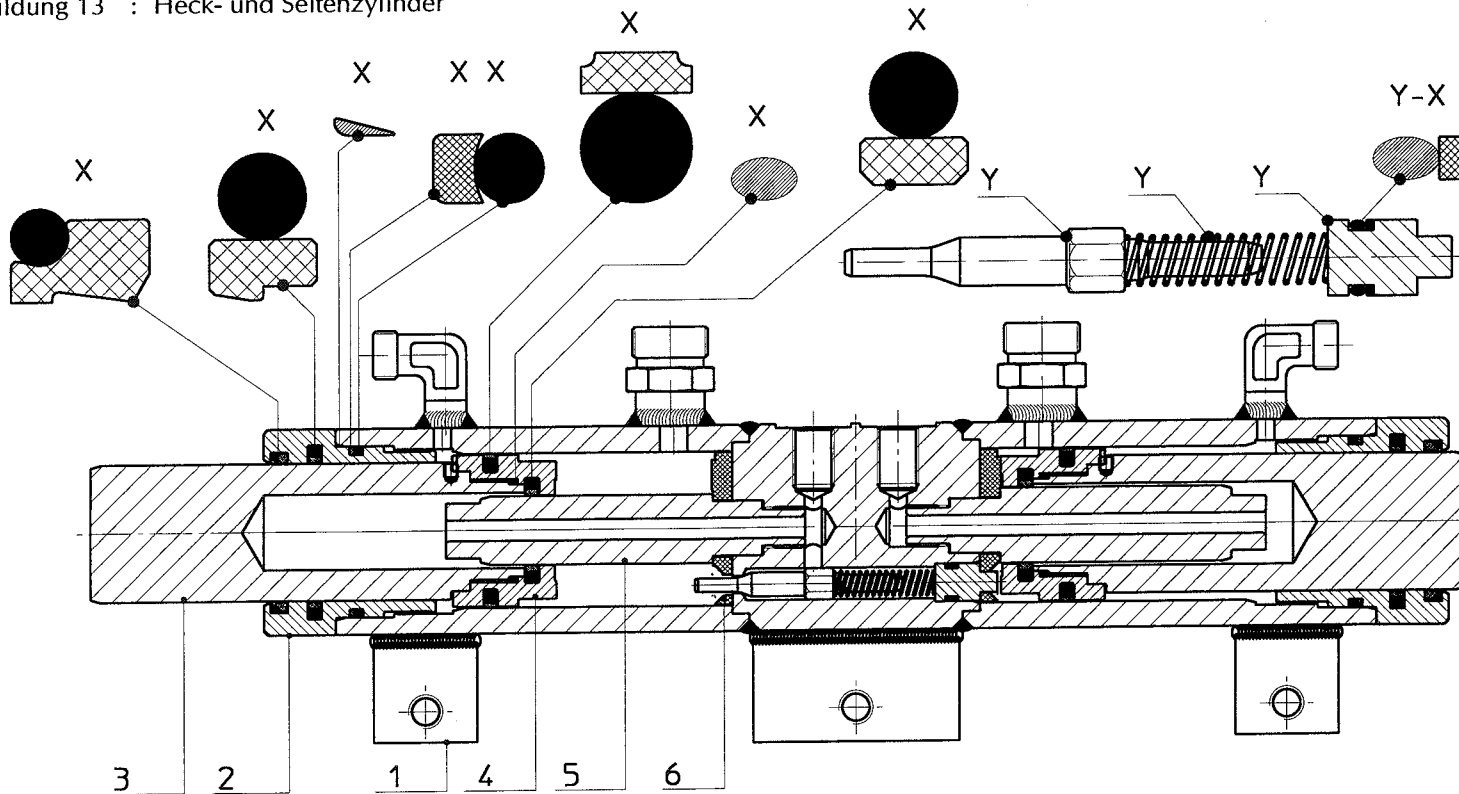
bestelnummer  
 ordernummer  
 Num. à commander  
 Bestellnummer

|   |       |   |          |
|---|-------|---|----------|
| 1 | 53198 | 1 |          |
| 4 | 78053 | 1 | 12 X 1,5 |
| 5 | 60260 | 1 |          |
| K | 05049 | 2 | 10 bar   |
| L | 05264 | 2 | 200 bar  |
| M | 05265 | 1 | 230 bar  |
| U | 53150 | 1 |          |
| W | 53256 | 1 |          |
| X | 53257 | 1 |          |
| Z | 05267 | 1 |          |

93126/5

Afbeelding 13 : Achter- en zijmescilinder

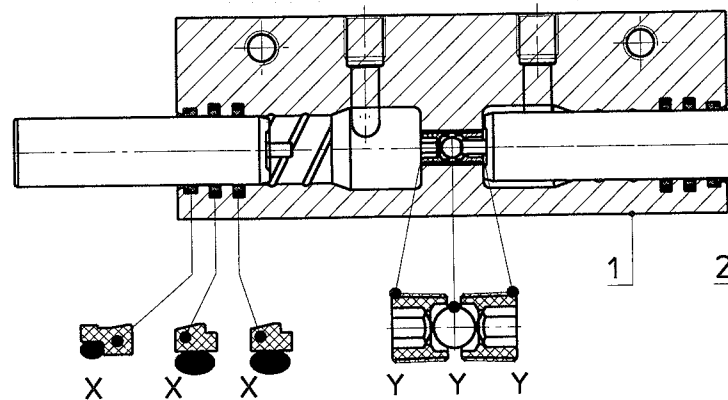
Abbildung 13 : Heck- und Seitenzylinder



bestelnummer  
ordernummer  
Num. à commander  
Bestellnummer

51078

|   |       |   |        |
|---|-------|---|--------|
| 1 | 11744 | 1 | Ø 50,8 |
| 2 | 31568 | 1 |        |
| 3 | 31573 | 1 |        |
| 4 | 31572 | 1 |        |
| 5 | 31417 | 1 |        |
| 6 | 31569 | 1 |        |
| X | 05313 | 1 |        |
| Y | 05370 | 1 |        |



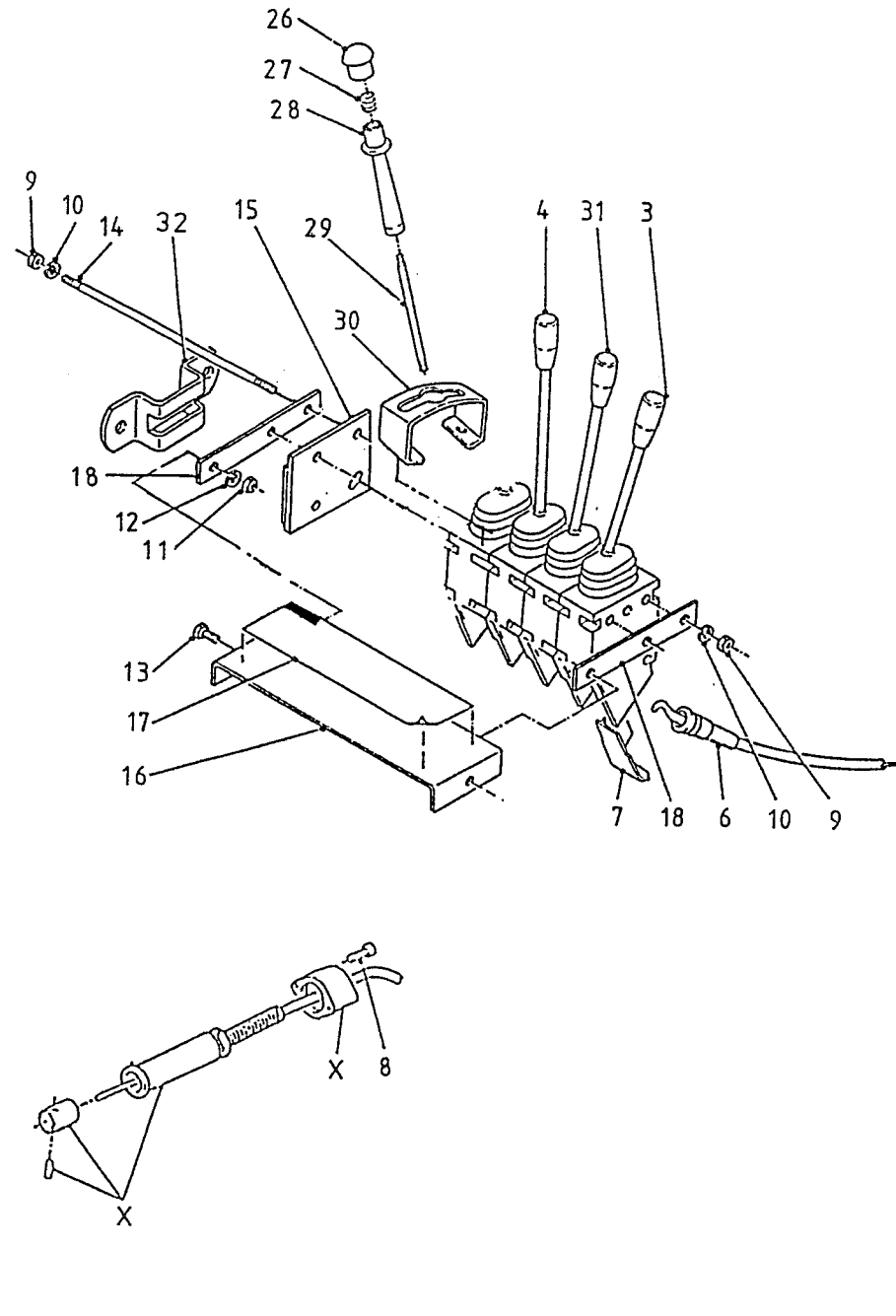
51115

|   |       |   |
|---|-------|---|
| 1 | 31772 | 1 |
| 2 | 31436 | 2 |
| X | 05294 | 1 |
| Y | 05298 | 1 |



**92126/5**

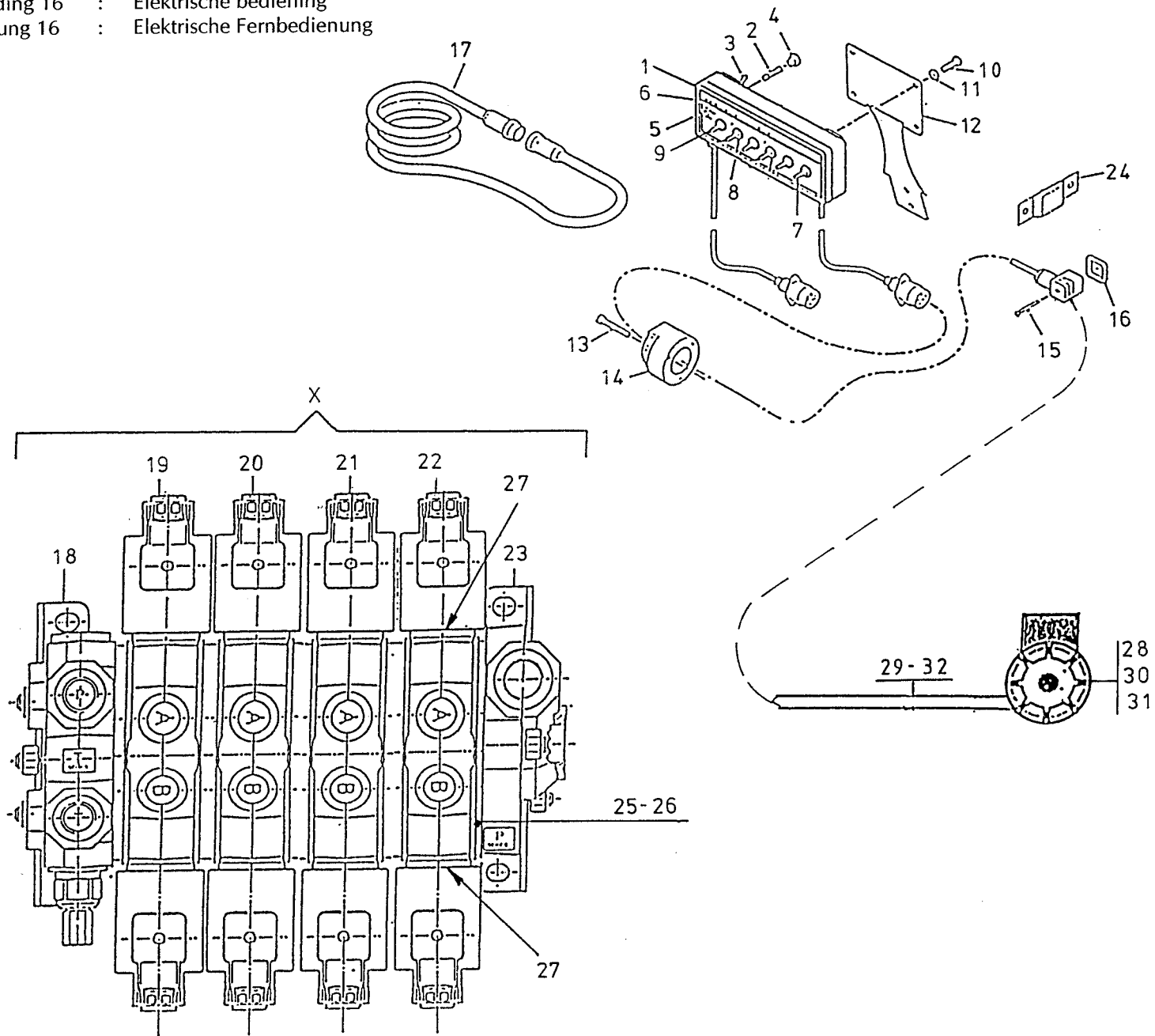
Afbeelding 15 : Mechanische bediening  
 Abbildung 15 : Mechanische Fernbedienung



|     |       | bestelnummer | ordernummer    | Num. à commander | Bestellnummer |
|-----|-------|--------------|----------------|------------------|---------------|
| 1A  | 53264 | 1            | →I01           |                  |               |
| 1B  | 53291 | 1            | I→02           |                  |               |
| 3A  | 53130 | 1            | →I04           |                  |               |
| 3B  | 53127 | 1            | 15° R I→05     |                  |               |
| 4A  | 53127 | 1            | →I04           |                  |               |
| 4B  | 53129 | 1            | 15° L I→05     |                  |               |
| 6A  | 79060 | 4            | L = 3000 →I01  |                  |               |
| 6B  | 79086 | 4            | L = 3500 I→ 02 |                  |               |
| 7   | 60210 | 4            |                |                  |               |
| 8   | 84480 | 8            | M6 x 45        |                  |               |
| 9   | 86206 | 6            | M6             |                  |               |
| 10  | 85106 | 6            | M6             |                  |               |
| 11  | 86208 | 2            | M8             |                  |               |
| 12  | 85108 | 2            | M8             |                  |               |
| 13  | 80816 | 2            | M8 x 16        |                  |               |
| 14  | 84043 | 3            | M6 x 200       |                  |               |
| 15  | 11139 | 1            |                |                  |               |
| 16  | 23168 | 1            |                |                  |               |
| 17  | 91239 | 1            |                |                  |               |
| 18  | 22244 | 2            |                |                  |               |
| 19A | 78126 | 8            | 15,08          |                  |               |
| 19B | 78128 | 4            | 17,86 x        |                  |               |
| 20  | 53436 | 4            |                |                  |               |
| 21  | 98216 | 1            | L = 3500       |                  |               |
| 22  | 98212 | 1            |                |                  |               |
| 23  | 86936 | 1            | M12 x 1.5      |                  |               |
| 24  | 98214 | 1            | L = 5000       |                  |               |
| 25  | 98213 | 1            |                |                  |               |
| 26  | 60396 | 1            | I→05           |                  |               |
| 27  | 65090 | 1            | I→05           |                  |               |
| 28  | 60395 | 1            | I→05           |                  |               |
| 29A | 53128 | 1            | →I 04          |                  |               |
| 29B | 53477 | 1            | I→05           |                  |               |
| 30  | 28982 | 1            | I→05           |                  |               |
| 31A | 53129 | 1            | →I04           |                  |               |
| 31B | 53099 | 1            | I→05           |                  |               |
| 32  | 20199 | 1            |                |                  |               |
| X   | 53231 | 1            |                |                  |               |

92126/5

Afbeelding 16 : Elektrische bediening  
 Abbildung 16 : Elektrische Fernbedienung



bestelnummer  
 ordernummer  
 Num. à commander  
 Bestellnummer

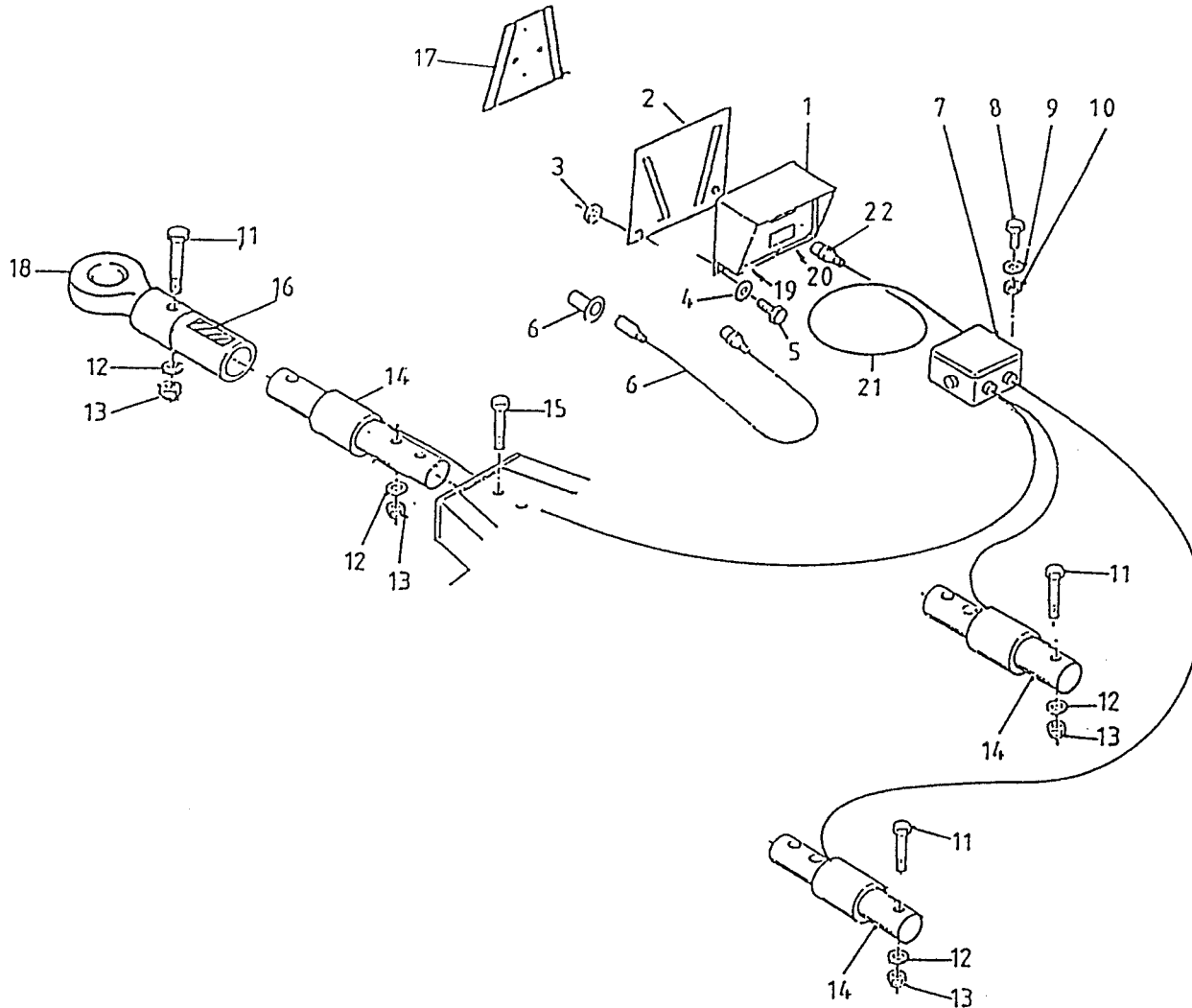
|    |       |    |              |
|----|-------|----|--------------|
| 1  | 98166 | 1  |              |
| 2  | 98053 | 1  |              |
| 3  | 98054 | 1  |              |
| 4  | 98052 | 1  |              |
| 5  | 98051 | 1  |              |
| 6  | 91015 | 1  |              |
| 7  | 98113 | 5  |              |
| 8  | 98056 | 6  |              |
| 9  | 98206 | 1  |              |
| 10 | 80610 | 4  | M6 x 10      |
| 11 | 85106 | 4  | M6           |
| 12 | 40420 | 1  |              |
| 13 | 84476 | 3  | M5 x 30      |
| 14 | 98147 | 1  |              |
| 15 | 84711 | 8  | M3 x 35      |
| 16 | 60180 | 8  |              |
| 17 | 98150 | 1  |              |
| 18 | 53283 | 1  |              |
| 19 | 53277 | 1  |              |
| 20 | 53278 | 1  |              |
| 21 | 53286 | 1  |              |
| 22 | 53280 | 1  |              |
| 23 | 53284 | 1  |              |
| 24 | 24644 | 1  |              |
| 25 | 78122 | 15 | 17,17 x 1.78 |
| 26 | 78133 | 5  | 14 x 1.78    |
| 27 | 78062 | 8  | 18,77 x 1.78 |
| 28 | 98213 | 1  |              |
| 29 | 98214 | 1  | L = 5000     |
| 30 | 80420 | 2  | M4 x 20      |
| 31 | 86204 | 2  | M4           |
| 32 | 90534 | 1  | L = 5000     |
| X  | 53276 | 1  |              |



92126/5

Afbeelding 17 : Elektronische Weeginstallatie

Abbildung 17 : Electronische Waage



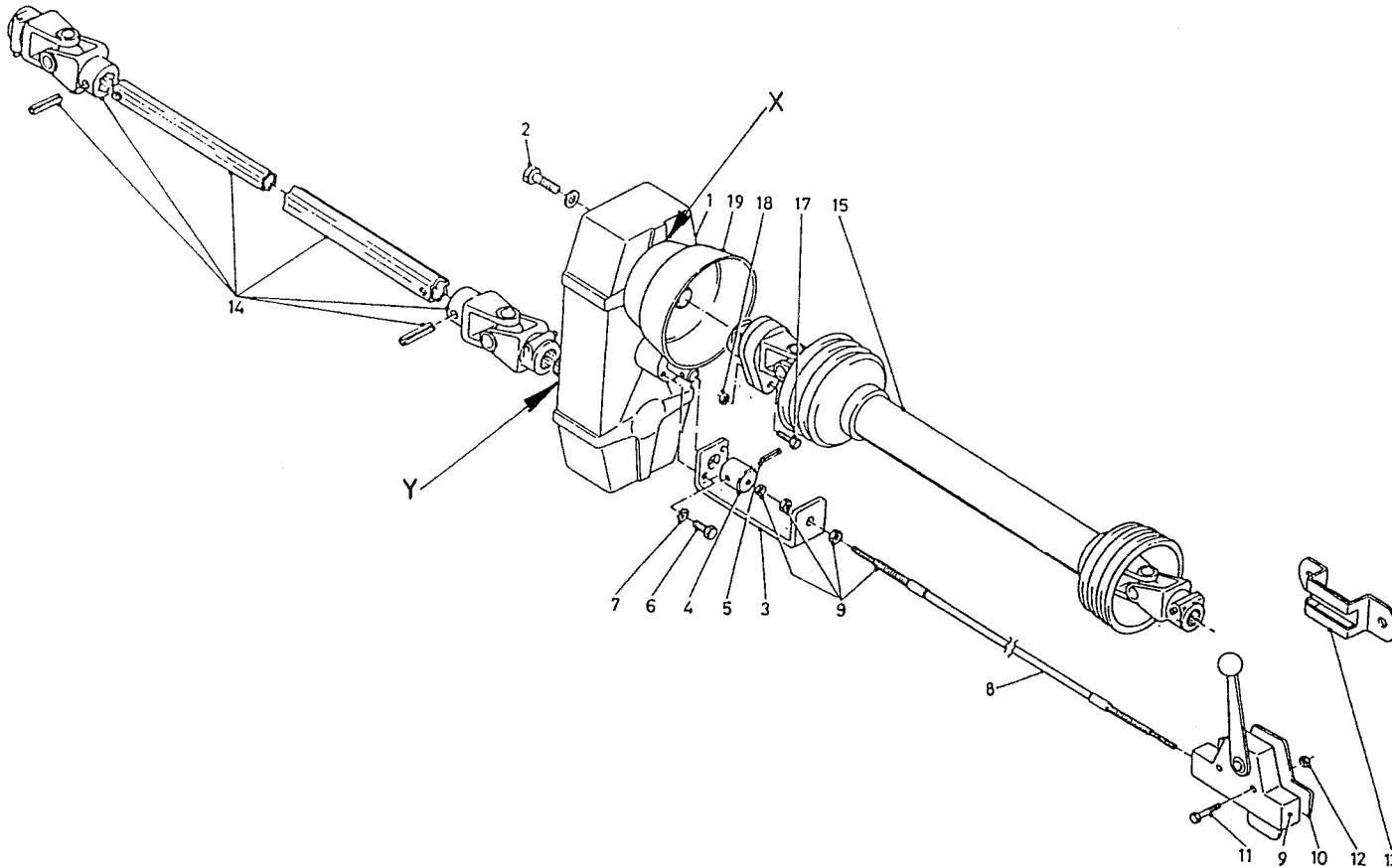
bestelnummer  
 ordernummer  
 Num. à commander  
 Bestellnummer

|     |       |   |              |
|-----|-------|---|--------------|
| 1A  | 90481 | 1 | F150         |
| 1B  | 90744 | 1 | F150 View    |
| 1C  | 90573 | 1 | F320         |
| 1D  | 94007 | 1 | EZ 2000      |
| 1E  | 90977 | 1 | EZ 2000 View |
| 2A  | 40471 | 1 | →I01         |
| 2B  | 40503 | 1 | I→02         |
| 3   | 86506 | 2 | M6           |
| 4   | 85106 | 2 | M6           |
| 5   | 80621 | 2 | M6 x 20      |
| 6   | 90483 | 1 |              |
| 7   | 90482 | 1 |              |
| 8   | 84445 | 4 | M5 x 20      |
| 9   | 85105 | 4 | M5           |
| 10  | 86505 | 4 | M5           |
| 11  | 82013 | 5 | M20 x 130    |
| 12  | 85020 | 6 | M20          |
| 13  | 86220 | 6 | M20          |
| 14  | 90447 | 3 |              |
| 15  | 82014 | 1 | M20 x 140    |
| 16  | 91216 | 1 |              |
| 17A | 24644 | 1 | →I01         |
| 17B | 40504 | 1 | I→02         |
| 18  | 12229 | 1 |              |
| 19  | 05389 | 1 | Female       |
| 20  | 05390 | 1 | Female       |
| 21  | 90719 | 1 | L = 5000     |
| 22  | 98218 | 1 |              |

92126/5

Afbeelding 18A : Verdragingskast 8m<sup>3</sup>-10m<sup>3</sup>-12m<sup>3</sup>

Abbildung 18A : Untersetzungsgetriebe 8m<sup>3</sup>-10m<sup>3</sup>-12m<sup>3</sup>



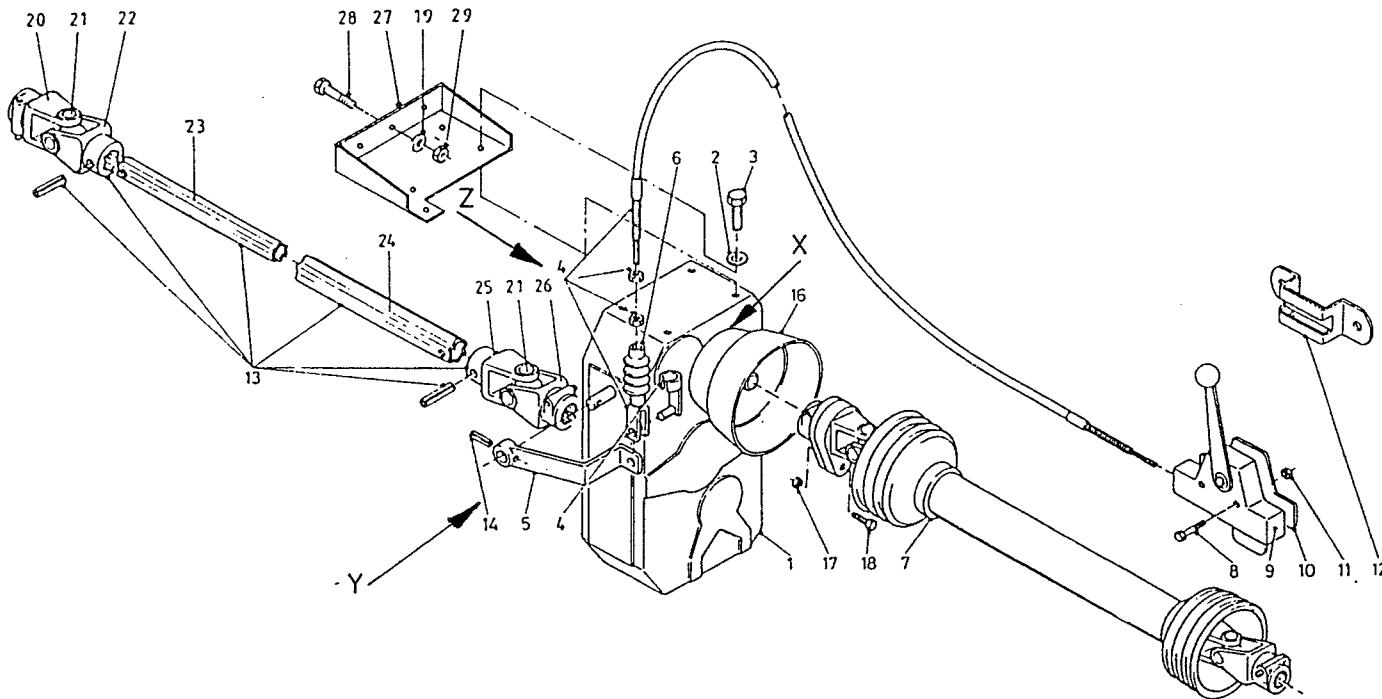
bestelnummer  
ordernummer  
Num. à commander  
Bestellnummer

|     |       |   |                    |
|-----|-------|---|--------------------|
| 1A  | 90488 | 1 | Comer              |
| 1B  | 90635 | 1 | Bima               |
| 1C  | 90911 | 1 | GB                 |
| 2   | 81445 | 4 | M14 x 45           |
| 3   | 25775 | 1 |                    |
| 4A  | 31781 | 1 |                    |
| 4B  | 32266 | 1 | GB                 |
| 5   | 88027 | 1 | Ø6 x 26            |
| 6   | 80831 | 2 | M10 x 30           |
| 7   | 85008 | 2 | M10                |
| 8   | 79051 | 1 | L = 3000           |
| 9   | 90121 | 1 |                    |
| 10  | 10525 | 1 |                    |
| 11  | 80630 | 2 | M6 x 30            |
| 12  | 86206 | 2 | M6                 |
| 13  | 20199 | 1 |                    |
| 14A | 90559 | 1 | Ø48 - 1 3/4-6      |
| 14B | 90627 | 1 | 1 3/8 - 1 3/4-6    |
| 14C | 90560 |   | 1 3/4-20 - 1 3/4-6 |
| 15A | 90495 | 1 | → I 02             |
| 15B | 90795 | 1 | → I 03             |
| 17  | 80860 | 1 | M8 x 60            |
| 18  | 86208 | 1 | M8                 |
| 19  | 90499 | 1 |                    |
| X   | 70169 | 1 | Comer / GB         |
| X   | 70175 | 1 | Bima               |
| Y   | 70170 | 1 | Comer / GB         |
| Y   | 70172 | 1 | Bima               |

92126/4

Afbeelding 18B : Vertragingskast Triomix 14m<sup>3</sup>

Abbildung 18B : Untersetzungsgetriebe Triomix 14m<sup>3</sup>



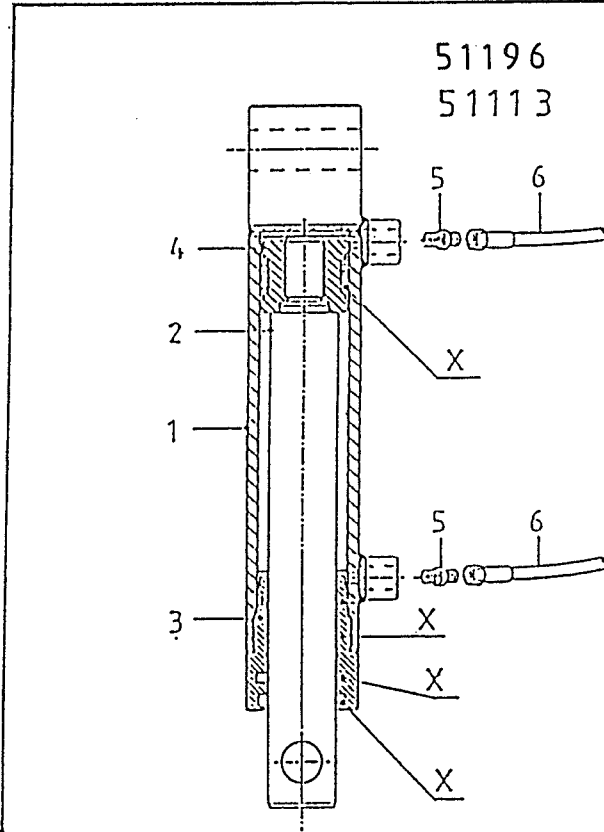
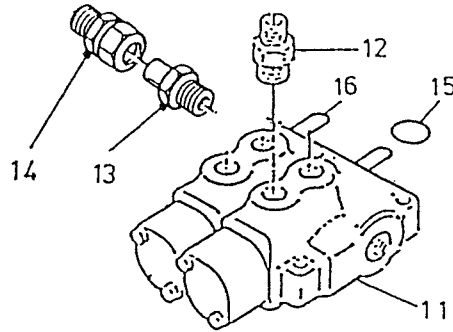
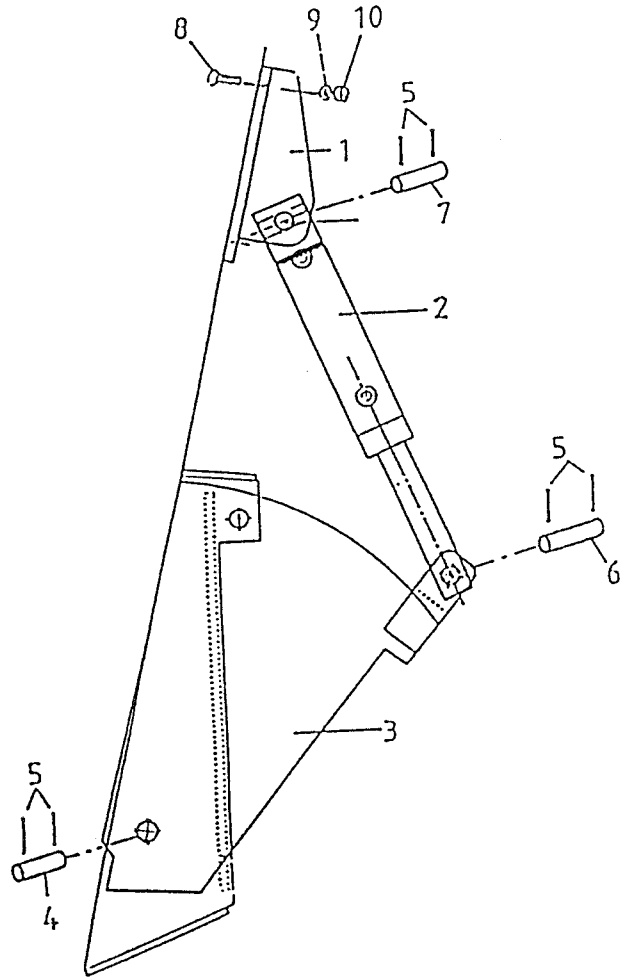
bestelnummer  
ordernummer  
Num. à commander  
Bestellnummer

|    |       |   |                   |
|----|-------|---|-------------------|
| 1  | 90633 | 1 |                   |
| 2  | 85114 | 4 | M14               |
| 3  | 81430 | 4 | M14 x 30          |
| 4  | 79051 | 1 | L = 3000          |
| 5  | 12235 | 1 |                   |
| 6  | 90280 | 1 |                   |
| 7  | 90495 | 1 |                   |
| 8  | 80630 | 2 | M6 x 30           |
| 9  | 90121 | 1 |                   |
| 10 | 10525 | 1 |                   |
| 11 | 86206 | 2 | M6                |
| 12 | 20199 | 1 |                   |
| 13 | 90627 | 1 | 1 3/8"-6 1 3/4"-6 |
| 14 | 88030 | 1 | Ø6 x 30           |
| 16 | 90499 | 1 |                   |
| 17 | 86208 | 1 | M8                |
| 18 | 80860 | 1 | M8 x 60 8.8       |
| 19 | 85116 | 3 | M16               |
| 20 | 90563 | 1 | 1 3/8"-6          |
| 21 | 90561 | 2 |                   |
| 22 | 90607 | 1 |                   |
| 23 | 90741 | 1 |                   |
| 24 | 90742 | 1 |                   |
| 25 | 90606 | 1 |                   |
| 26 | 90608 | 1 | 1 3/4"-6          |
| 27 | 12428 | 1 |                   |
| 28 | 81641 | 3 | M16 x 40          |
| 29 | 86216 | 3 | M16               |
| X  | 70172 | 1 |                   |
| Y  | 70171 | 1 |                   |
| Z  | 70173 | 1 |                   |

92126/5

Afbeelding 19 : Hydraulische bediening conframes

Abbildung 19 : Hydraulische Fernbedienung



bestelnummer  
ordernummer  
Num. à commander  
Bestellnummer

|    |        |   |                 |
|----|--------|---|-----------------|
| 1  | 12043  | 1 |                 |
| 2  | 51113  | 1 |                 |
| 3  | 12039  | 1 |                 |
| 4  | 25332  | 1 |                 |
| 5  | 88239  | 6 | Ø5 x 40         |
| 6  | 25607  | 1 |                 |
| 7  | 25606  | 1 |                 |
| 8  | 84808  | 2 | M12 x 30        |
| 9  | 85112  | 2 | M12             |
| 10 | 86212  | 2 | M12             |
| 11 | 53267  | 1 |                 |
| 12 | X50114 | 2 |                 |
| 13 | 50132  | 1 |                 |
| 14 | 50102  | 1 |                 |
| 15 | 78127  | 2 | 15,08 x 2,62/70 |
| 16 | 53430  | 2 |                 |

51113 (H=110)

|   |        |   |            |
|---|--------|---|------------|
| 1 | 12028  | 1 |            |
| 2 | 31757  | 1 |            |
| 3 | 31460  | 1 |            |
| 4 | 30860  | 1 |            |
| 5 | X50104 | 1 |            |
| 6 | W50959 | 2 | ¼" 4000 RH |
| X | 05309  | 2 |            |

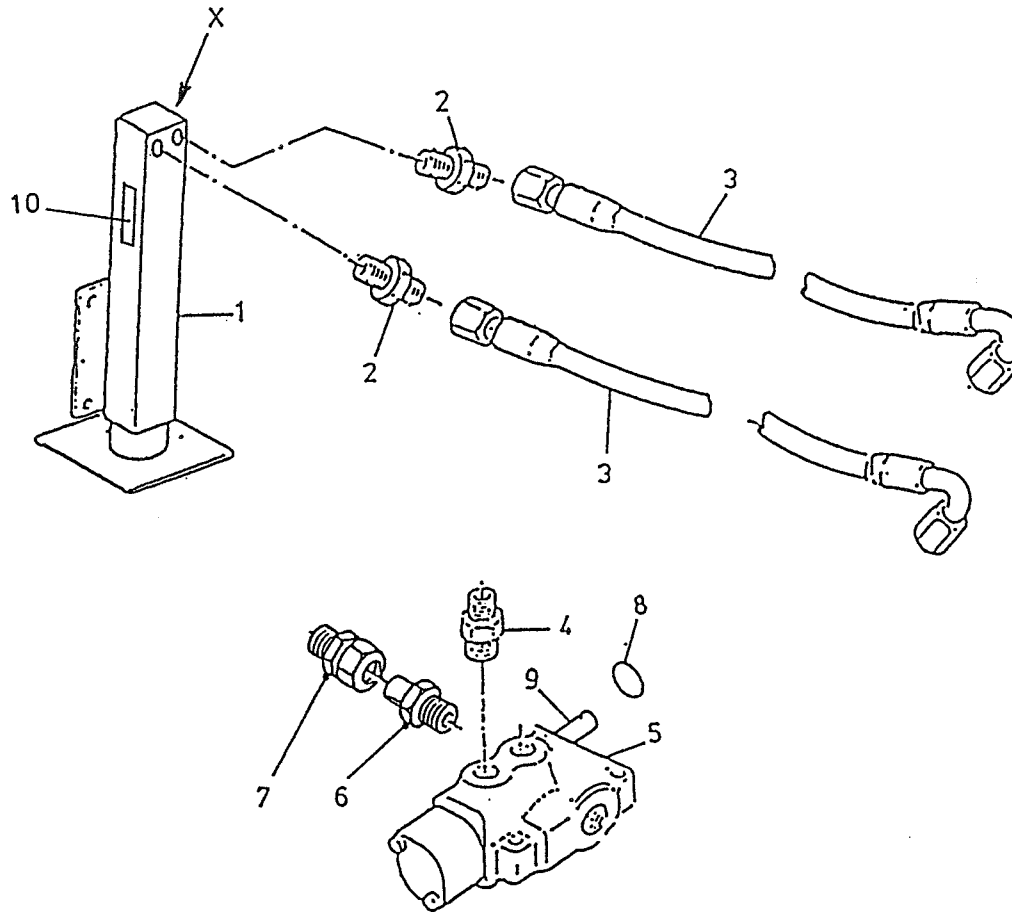
51196 (H=120)

|   |        |   |            |
|---|--------|---|------------|
| 1 | 12843  | 1 |            |
| 2 | 32207  | 1 |            |
| 3 | 31460  | 1 |            |
| 4 | 30860  | 1 |            |
| 5 | X50104 | 2 |            |
| 6 | W50959 | 2 | ¼" 4000 RH |
| X | 05309  | 2 |            |

92126/5

Afbeelding 20 : Hydraulische steunpoot

Abbildung 20 : Hydraulischer Stützfuß



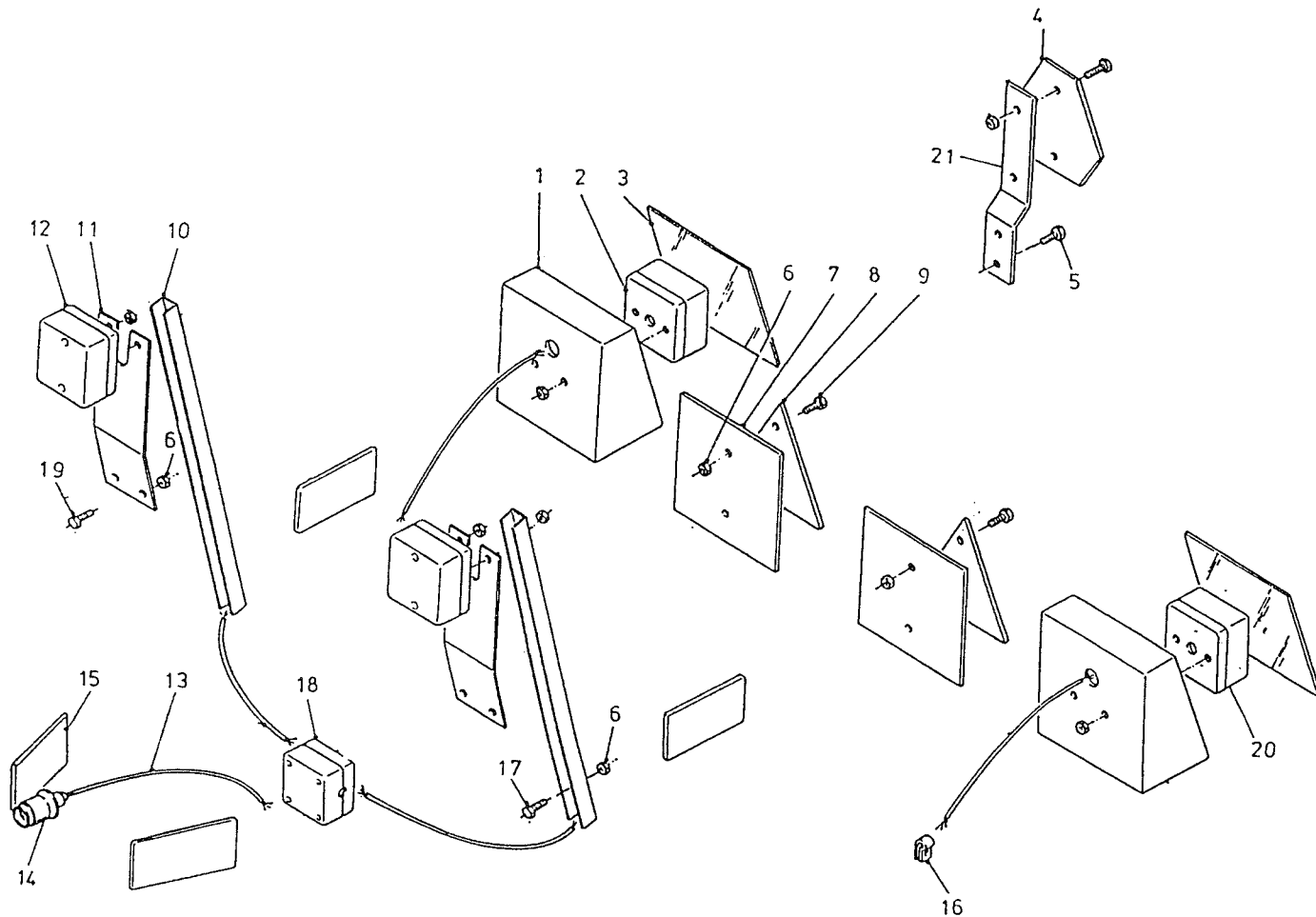
bestelnummer  
 ordernummer  
 Num. à commander  
 Bestellnummer

|    |        |    |                |
|----|--------|----|----------------|
| 1  | 12029  | 1  |                |
| 2  | X50124 | 2  |                |
| 3  | W50956 | 2  | ¼" 4200 RH     |
| 4  | X50114 | 2  |                |
| 5  | 53002  | 1  |                |
| 6  | 50132  | 1  |                |
| 7  | 50102  | 1  |                |
| 8  | 78127  | 11 | 15.08 x2,62/70 |
| 9  | 53430  | 1  |                |
| 10 | 91334  | 1  |                |
| X  | 05432  | 1  |                |

92126/5

Afbeelding 21 : Verlichtingset  
 Abbildung 21 : Beleuchtungsatz

bestelnummer  
 ordernummer  
 Num. à commander  
 Bestellnummer



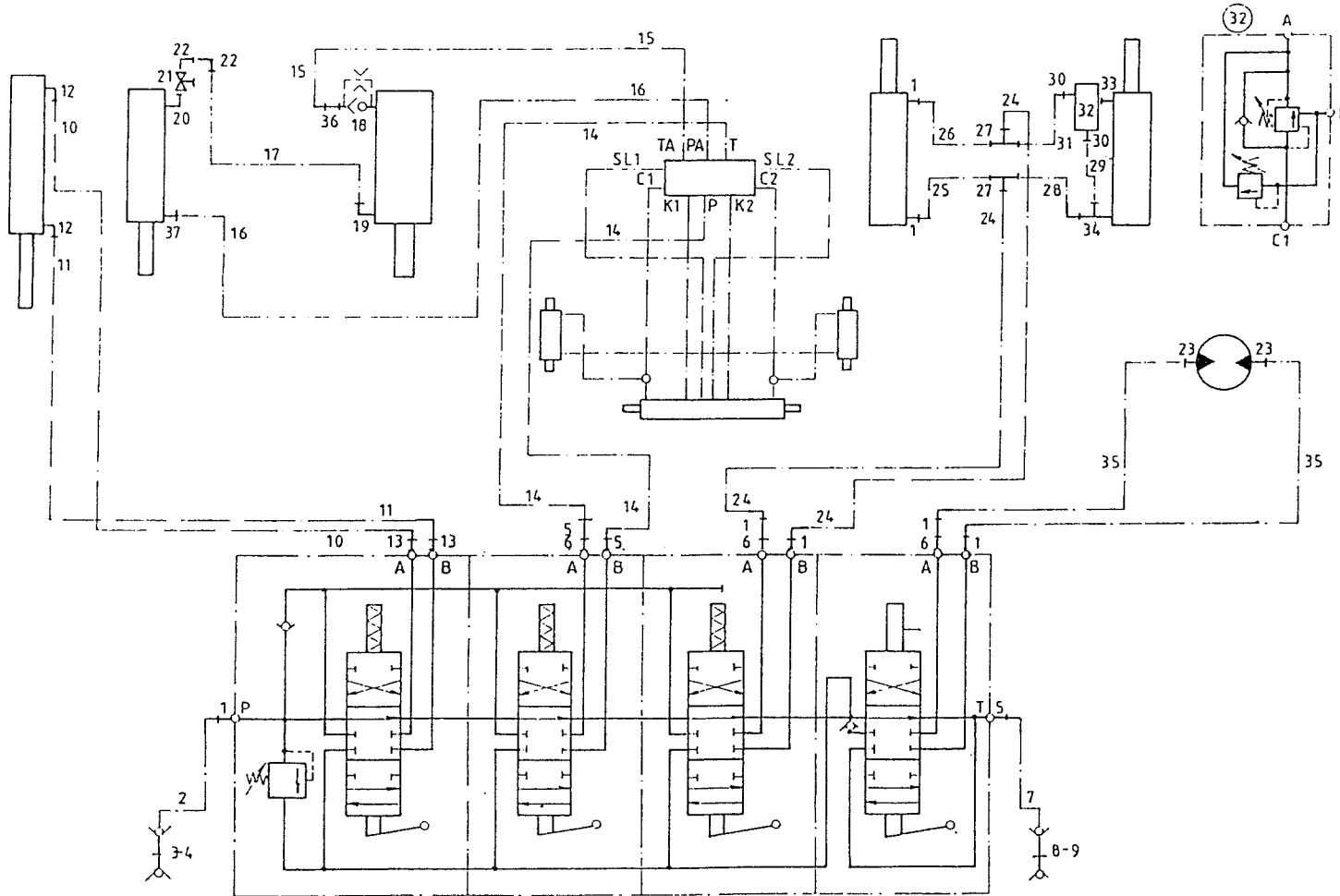
|    |       |    |         |
|----|-------|----|---------|
| 1  | 12294 | 2  |         |
| 2  | 98139 | 1  | Rechts  |
| 3  | 60321 | 2  |         |
| 4  | 90411 | 1  |         |
| 5  | 80812 | 2  | M8 x 12 |
| 6  | 86206 | 12 | M6      |
| 7  | 26528 | 2  |         |
| 8  | 90410 | 2  |         |
| 9  | 80616 | 4  | M6 x 16 |
| 10 | 40458 | 2  |         |
| 11 | 25438 | 2  |         |
| 12 | 98138 | 2  |         |
| 13 | 98137 | 1  | L = 4m  |
| 14 | 98007 | 1  |         |
| 15 | 90412 | 4  |         |
| 16 | 90457 | 4  |         |
| 17 | 80635 | 4  | M6 x 35 |
| 18 | 98141 | 1  |         |
| 19 | 80616 | 4  | M6 x 16 |
| 20 | 98140 | 1  | Links   |
| 21 | 90638 | 1  |         |



92126/5

Afbeelding 23 : Slangenschema mechanische bediening

Abbildung 23 : Schaltplan Mechanische Fernbediening



bestelnummer  
ordernummer  
Num. à commander  
Bestellnummer

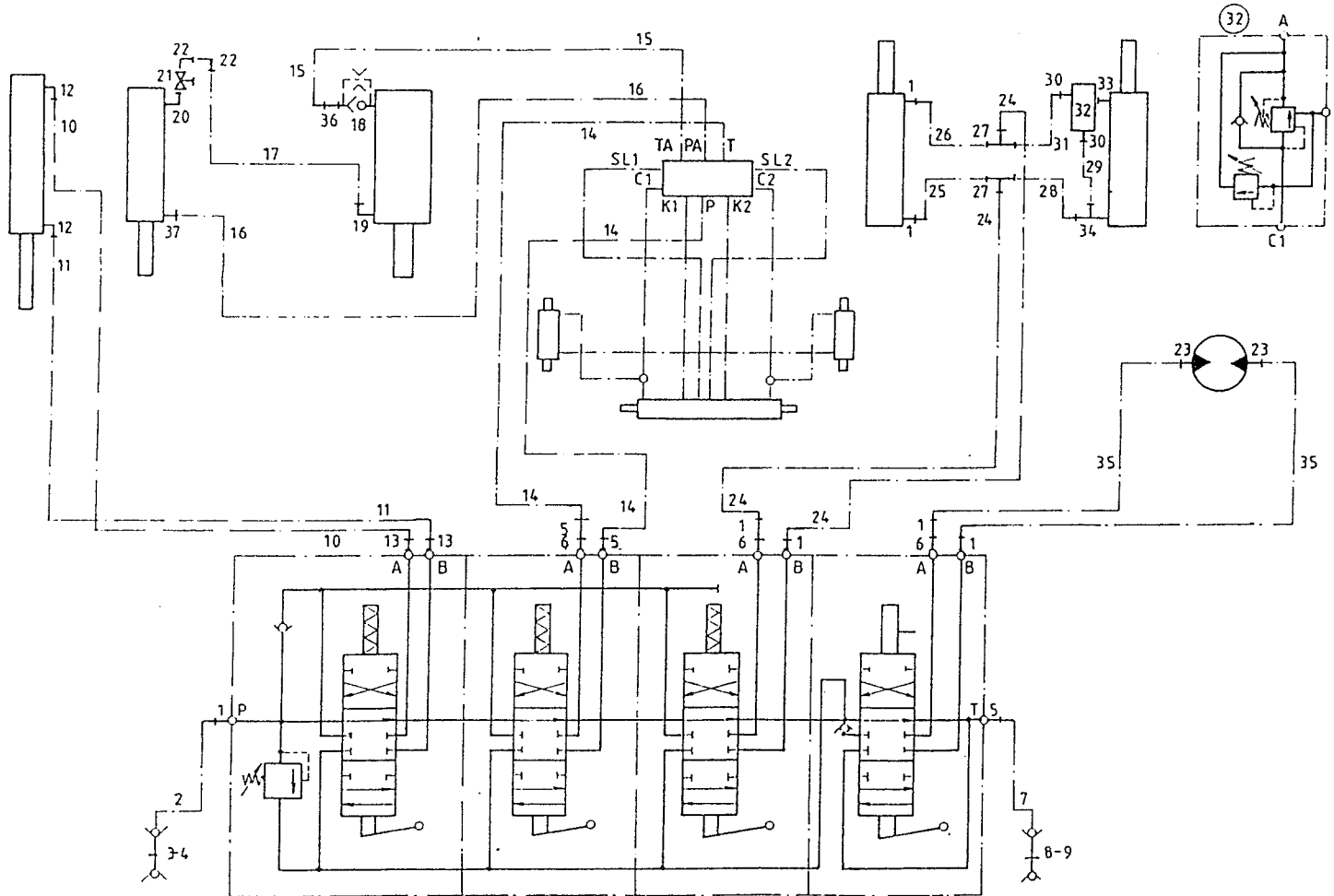
|     |        |   |                      |
|-----|--------|---|----------------------|
| 1   | X50102 | 7 |                      |
| 2   | W50768 | 1 | ½" 3000 RH           |
| 3   | 53303  | 1 |                      |
| 4   | 53301  | 1 |                      |
| 5   | X50138 | 3 |                      |
| 6   | 50133  | 3 |                      |
| 7   | W50738 | 1 | ⅝" 3000 RH           |
| 8   | 53315  | 1 |                      |
| 9   | 53326  | 1 |                      |
| 10  | W50700 | 1 | ¼" 1800 RH           |
| 11  | W50650 | 1 | ¼" 1000 RH           |
| 12  | X50107 | 2 |                      |
| 13  | X50114 | 2 |                      |
| 14A | W50965 | 2 | 8m³ ⅝" 7150 RH       |
| 14B | W50980 | 2 | 10m³ ⅝" 7400 RH      |
| 14C | W52601 | 2 | 12m³ ⅝" 7800 RH      |
| 14D | W52600 | 2 | 14m³ ⅝" 8650 RH      |
| 15A | W50846 | 1 | 8m³ ½" 3250 RH       |
| 15B | W50977 | 1 | 10m³/12m³ ½" 3350 RH |
| 15C | W50921 | 1 | 14m³ ½" 3800 RH      |
| 16A | W50901 | 1 | 8m³ ½" 4770 RH       |
| 16B | W50975 | 1 | 10m³/ ½" 4870 RH     |
| 16C | W50789 | 1 | 12m³ ½" 5150 RR      |
| 16D | W52602 | 1 | 14m³ ½" 6000 RR      |
| 17A | W50789 | 1 | 8m³ ½" 5150 RR       |
| 17B | W50999 | 1 | 10m³ ½" 5400 RR      |
| 17C | W52612 | 1 | 12m³ ½" 5600 RR      |
| 17D | W52602 | 1 | 14m³ ½" 6000 RR      |
| 18  | 53192  | 1 |                      |
| 19  | X50101 | 1 |                      |
| 20  | 50103  | 1 |                      |
| 21  | 51044  | 1 |                      |
| 22  | X50143 | 2 |                      |
| 23  | X50117 | 2 |                      |
| 24  | W50825 | 2 | ½" 1600 RH           |
| 25  | W50726 | 1 | ½" 2000 RH           |
| 26  | W50725 | 1 | ½" 2600 RH           |
| 27  | X50357 | 2 |                      |
| 28B | W50973 | 1 | 10m³/12m³ ½" 400 RH  |
| 28C | W50688 | 1 | 14m³ ½" 600 RH       |



92126/5

Afbeelding 23 : Slangenschema mechanische bediening

Abbildung 23 : Schaltplan Mechanische Fernbediening



bestelnummer

ordernummer

Num. à commander

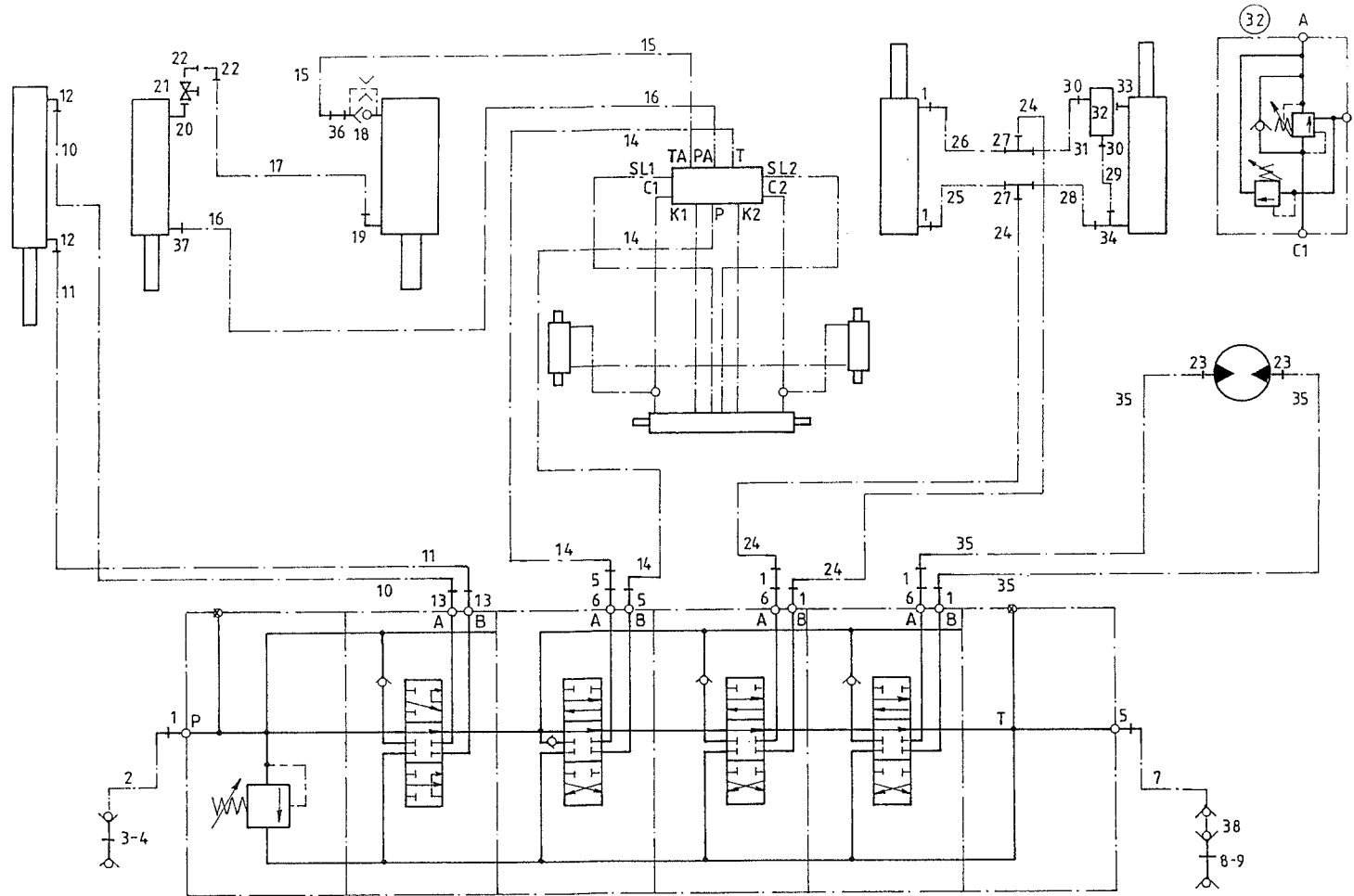
Bestellnummer

|     |        |   |                      |
|-----|--------|---|----------------------|
| 29  | W50747 | 1 | ½" 650 RR            |
| 30  | X50116 | 2 |                      |
| 31A | W50998 | 1 | 8m³/10m³/12m³ ½"1050 |
| 31B | W50819 | 1 | 14m³ ½"1250 RH       |
| 32  | 53402  | 1 |                      |
| 33  | 50189  | 1 |                      |
| 34  | 50310  | 1 |                      |
| 35  | W50602 | 2 | ½" 3500 RH           |
| 36  | 50195  | 1 |                      |
| 37A | X50102 | 1 | 8m³/10m³/14m³        |
| 37B | X50101 | 1 | 12m³                 |

92126/5

Afbeelding 24 : Slangenschema elektrische bediening

Abbildung 24 : Schaltplan Elektrische Fernbedienung



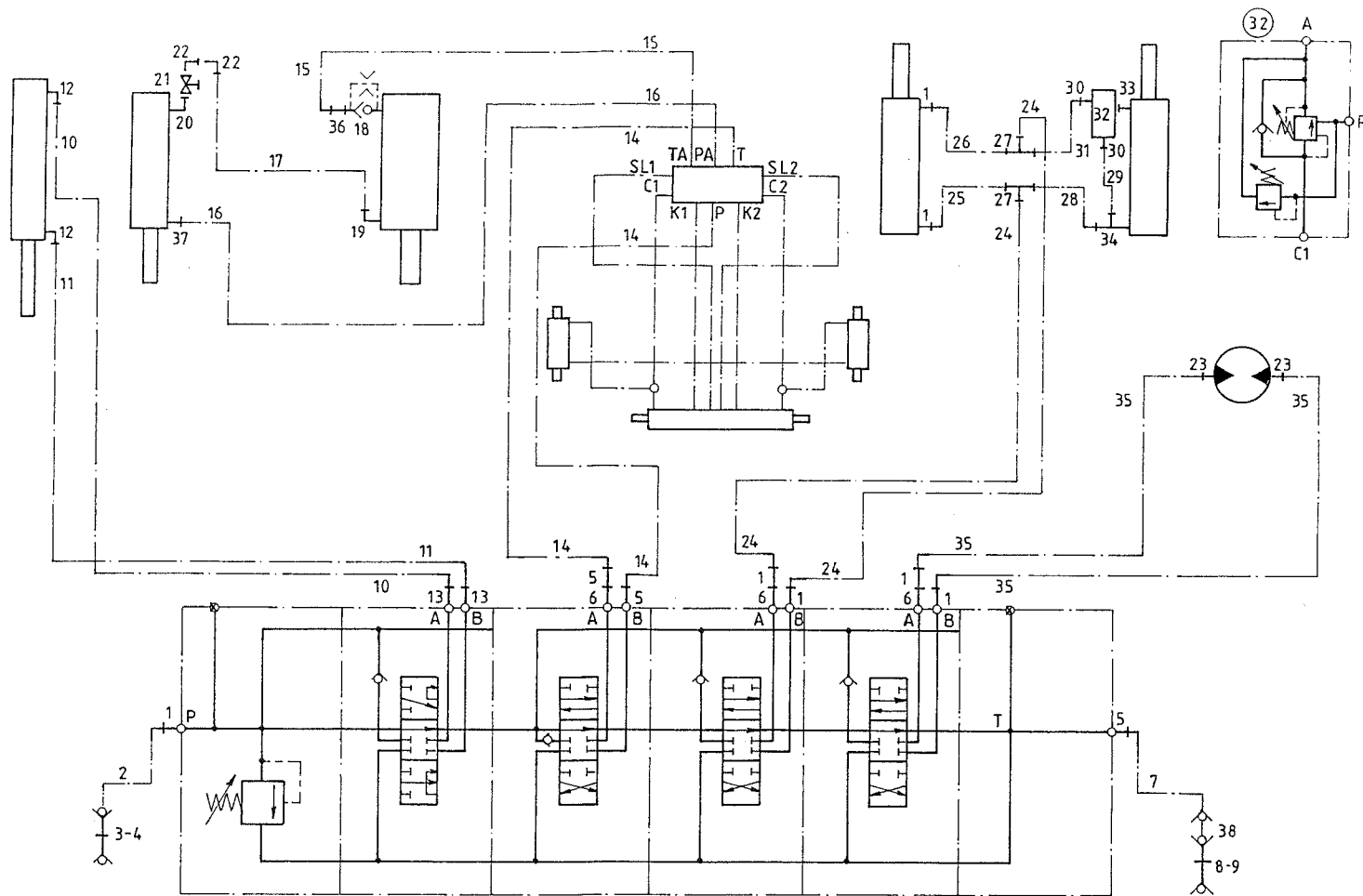
bestelnummer  
 ordernummer  
 Num. à commander  
 Bestellnummer

|     |        |   |                        |
|-----|--------|---|------------------------|
| 1   | X50102 | 7 |                        |
| 2   | W50768 | 1 | ½" 3000 RH             |
| 3   | 53303  | 1 |                        |
| 4   | 53301  | 1 |                        |
| 5   | X50138 | 3 |                        |
| 6   | 50133  | 3 |                        |
| 7A  | W50738 | 1 | ⅝" 3000 RH             |
| 7B  | W52657 | 1 | ⅝" 3300 RH             |
| 8   | 53309  | 1 |                        |
| 9   | 53326  | 1 |                        |
| 10  | W50700 | 1 | ¼" 1800 RH             |
| 11  | W50650 | 1 | ¼" 1000 RH             |
| 12  | X50107 | 2 |                        |
| 13  | X50114 | 2 |                        |
| 14A | W50965 | 2 | 8m³ ⅝" 7150 RH         |
| 14B | W50980 | 2 | 10m³ ⅝" 7400 RH        |
| 14C | W52601 | 2 | 12m³ ⅝" 7800 RH        |
| 14D | W52600 | 2 | 14m³ ⅝" 8650 RH        |
| 15A | W50846 | 1 | 8m³ ½" 3250 RH         |
| 15B | W50977 | 1 | 10m³ / 12m³ ½" 3350 RH |
| 15C | W50921 | 1 | 14m³ ½" 3800 RH        |
| 16A | W50901 | 1 | 8m³ ½" 4770 RH         |
| 16B | W50975 | 1 | 10m³ ½" 4870 RH        |
| 16C | W50789 | 1 | 12m³ ½" 5150 RR        |
| 16D | W52602 | 1 | 14m³ ½" 6000 RR        |
| 17A | W50789 | 1 | 8m³ ½" 5150 RR         |
| 17B | W50999 | 1 | 10m³ ½" 5400 RR        |
| 17C | W52612 | 1 | 12m³ ½" 5600 RR        |
| 17D | W52602 | 1 | 14m³ ½" 6000 RR        |
| 18  | 53192  | 1 |                        |
| 19  | X50101 | 1 |                        |
| 20  | 50103  | 1 |                        |
| 21  | 51044  | 1 |                        |
| 22  | X50143 | 2 |                        |
| 23  | X50117 | 2 |                        |
| 24  | W50825 | 2 | ½" 1600 RH             |
| 25  | W50726 | 1 | ½" 2000 RH             |
| 26  | W50725 | 1 | ½" 2600 RH             |
| 27  | X50357 | 2 |                        |
| 28B | W50973 | 1 | 10m³ / 12m³ ½" 400 RH  |
| 28C | W50688 | 1 | 14m³ ½" 600 RH         |

92126/5

Afbeelding 24 : Slangenschema elektrische bediening

Abbildung 24 : Schaltplan Elektrische Fernbedienung



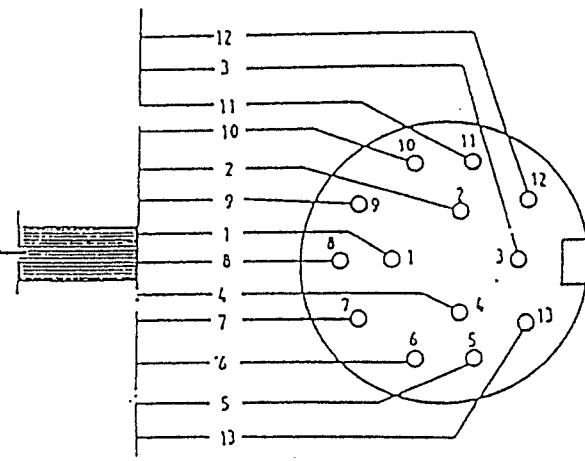
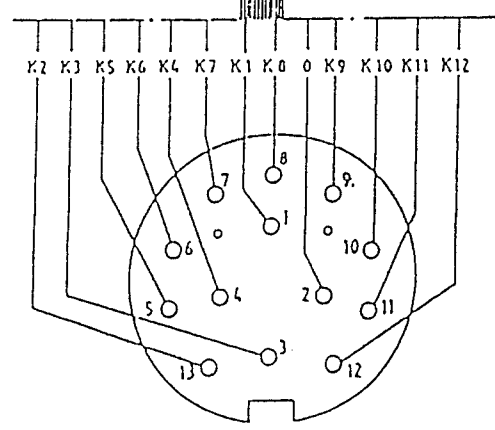
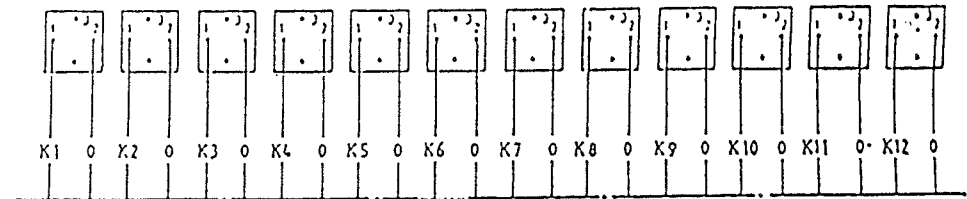
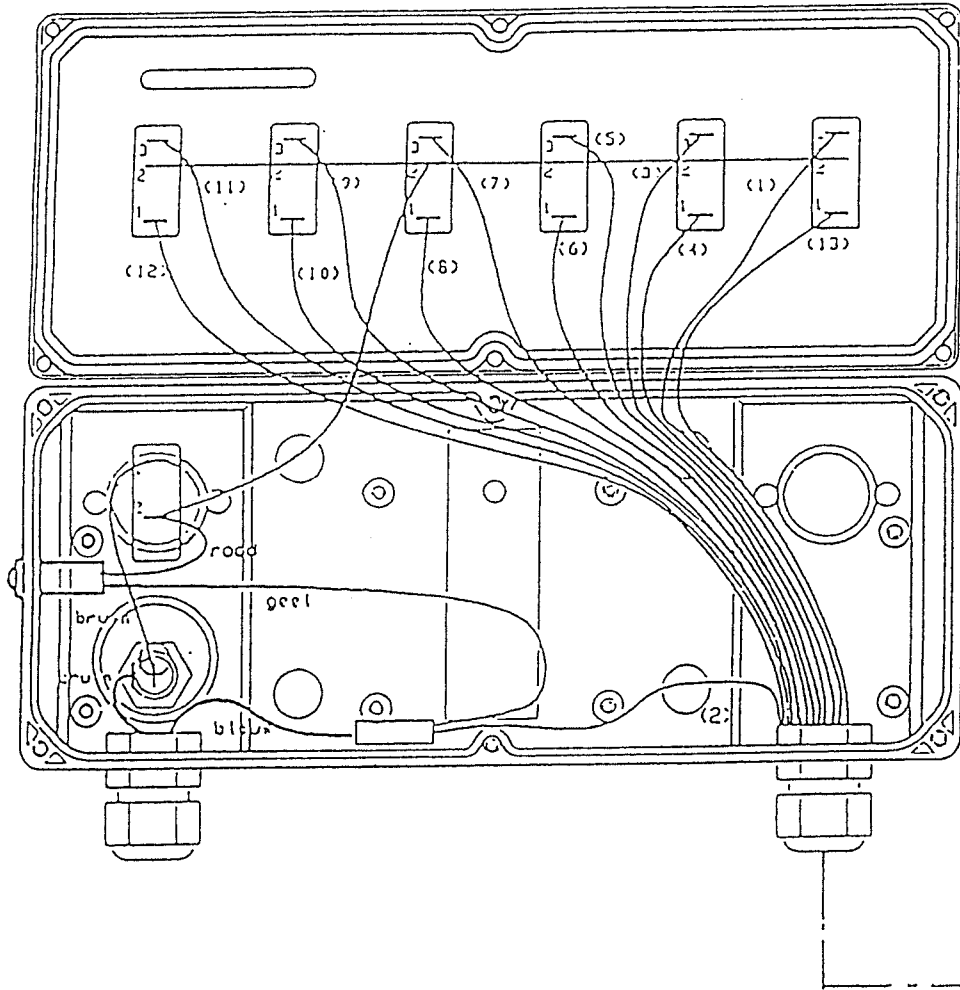
bestelnummer  
 ordernummer  
 Num. à commander  
 Bestellnummer

|     |        |   |                 |
|-----|--------|---|-----------------|
| 29  | W50747 | 1 | ½" 650 RR       |
| 30  | X50116 | 2 |                 |
| 31A | W50998 | 1 | 8m³/10m³/12m³   |
| 31B | W50819 | 1 | 14m³ ½" 1250 RH |
| 32  | 53402  | 1 |                 |
| 33  | 50189  | 1 |                 |
| 34  | 50310  | 1 |                 |
| 35  | W50602 | 2 | ½" 3500 RH      |
| 36  | 50195  | 1 |                 |
| 37A | X50102 | 1 | 8m³ 10m³ 14m³   |
| 37B | X50101 | 1 | 12m³            |
| 38  | 53250  | 1 |                 |

92126/5

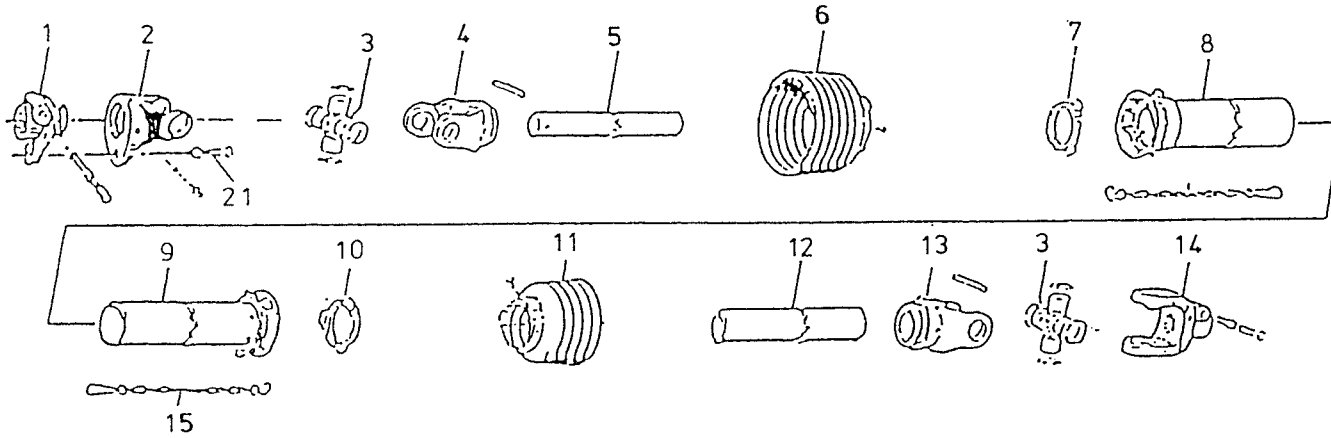
Afbeelding 25 : Elektrische bedieningskast + schema

Abbildung 25 : Elektrische Bedienungskasten + Schaltpläne



**92126/5**

Afbeelding 26 : Aftakas  
 Abbildung 26 : Zapfwelle

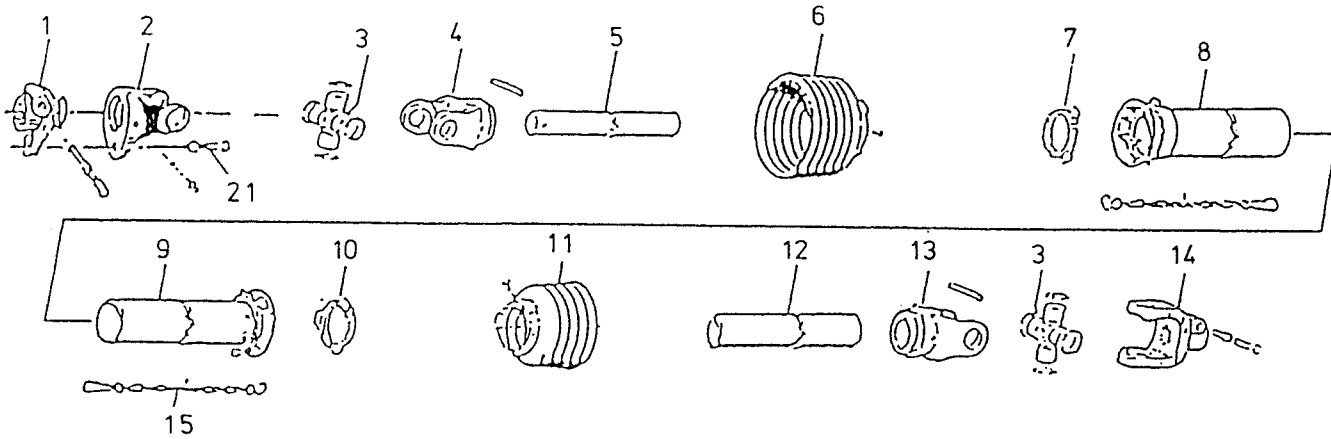


bestelnummer  
 ordernummer  
 Num. à commander  
 Bestellnummer

**90495 8m<sup>3</sup>→102 / 10m<sup>3</sup>→102 / 12m<sup>3</sup>**

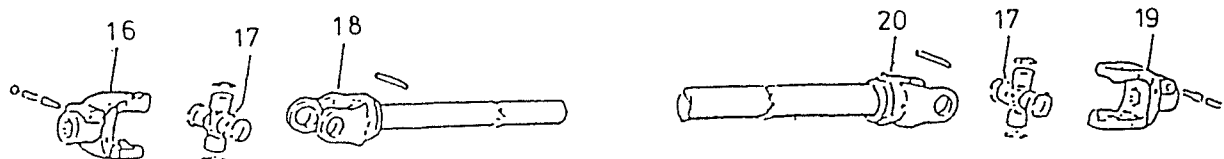
|    |       |   |             |
|----|-------|---|-------------|
| 1  | 90613 | 1 |             |
| 2  | 90614 | 1 |             |
| 3  | 90615 | 2 |             |
| 4  | 90616 | 1 |             |
| 5  | 90617 | 1 |             |
| 6  | 90618 | 1 |             |
| 7  | 90619 | 1 |             |
| 8  | 90620 | 1 |             |
| 9  | 90621 | 1 |             |
| 10 | 90622 | 1 |             |
| 11 | 90623 | 1 |             |
| 12 | 90624 | 1 |             |
| 13 | 90625 | 1 |             |
| 14 | 90626 | 1 |             |
| 15 | 90266 | 2 |             |
| 21 | 80860 | 1 | M8 x 60 8.8 |

**90795 8m<sup>3</sup> / 10m<sup>3</sup> |→03**



|    |       |   |             |
|----|-------|---|-------------|
| 1  | 90613 | 1 |             |
| 2  | 90614 | 1 |             |
| 3  | 90615 | 1 |             |
| 4  | 90805 | 1 |             |
| 5  | 90803 | 1 |             |
| 6  | 90618 | 1 |             |
| 7  | 90619 | 1 |             |
| 8  | 90620 | 1 |             |
| 9  | 90621 | 1 |             |
| 10 | 90622 | 1 |             |
| 11 | 90623 | 1 |             |
| 12 | 90804 | 1 |             |
| 13 | 90806 | 1 |             |
| 14 | 90626 | 1 |             |
| 15 | 90266 | 1 |             |
| 21 | 80860 | 1 | M8 x 60 8.8 |

**90559 / 90627 / 90560**



|     |       |   |             |
|-----|-------|---|-------------|
| 16A | 90575 | 1 | Ø 48        |
| 16B | 90563 | 1 | 1 3/8" - 6  |
| 16C | 90562 | 1 | 1 3/4" - 20 |
| 17  | 90561 | 2 |             |
| 18  | 90606 | 1 |             |
| 19  | 90608 | 1 | 1 3/4" - 6  |
| 20  | 90607 | 1 |             |



Hinmanweg 19  
7575 BE Oldenzaal - Holland  
Postbus 134  
7570 AC Oldenzaal - Holland

e-mail: [info@trioliet.nl](mailto:info@trioliet.nl)  
<http://www.trioliet.nl>

Tel.: 0541 - 57 21 21 / (+) 31 - 541 - 57 21 21  
Fax: 0541 - 57 21 25 / (+) 31 - 541 - 57 21 25

Voor onderdelen / Für Ersatzteile / For spare parts / pour pièces de rechange

Tel.: 0541 - 57 21 36 / (+) 31 - 541 - 57 21 36  
Fax: 0541 - 57 21 40 / (+) 31 - 541 - 57 21 40