

Trioliet Mullos

Truckmount Drive Kit



Onderdelenlijst/Spare parts list

Bestelnummer/Ordernumber 92205/1

Geldig vanaf productieserie nr./Valid from Prod. Series No.: 01

INHOUDSOPGAVE

1	Pompunit met front bumper
2	Aandrijfunit met onderframe
3	Bordes en tanks
4	Koelunit
5	Tankcomponenten
6	Frame delen
7A	VLK-unit, buitenframe en beplating
7B	VLK-unit, binnenframe
7C	VLK-unit, aandrijving
8	Tandwielkasten Truckmount mixers
9	Bedieningskasten
10	Aansluitingen bedieningskasten en weegcomputer
11	Bedradingsschema bedieningskast Truckmount aandrijving
12	Elektrisch schema bedieningskast Truckmount aandrijving
13	Bedradingsschema en ventiel aansluitschema bedieningskast ZK
14	Bedradingsschema en ventiel aansluitschema bedieningskast VL
15	Ventielenblok en stroomregelventiel
16	Hydraulisch schema ZK ventielenblok
17	Hydraulisch schema VL ventielenblok (proportioneel)
18	Elektronisch weegsysteem
19A	Hydraulisch schema motor-pomp-tanks, serie 01
19B	Hydraulisch schema motor-pomp-tanks, serie 02
20A	Slangenschema motor-pomp-tanks, serie 01
20B	Slangenschema motor-pomp-tanks, serie 02
21	Hydraulisch schema koeling tandwielkasten
22	Slangenschema koeling tandwielkasten
23	Aftakassen

CONTENTS

1	Pump unit with front bumper
2	Drive unit with frame
3	Platform and tanks
4	Cooling unit
5	Tank components
6	Frame parts
7A	VLK-unit, outer frame and covers
7B	VLK-unit, inner frame
7C	VLK-unit, drive set
8	Gearboxes Truckmount mixers
9	Control boxes
10	Connections of control boxes and weigh computer
11	Wiring scheme control box Truckmount unit
12	Electrical scheme control box Truckmount unit
13	Wiring scheme and valve scheme ZK model Truckmount mixer
14	Wiring scheme and valve scheme VL model Truckmount mixer
15	Electrical valves and flow divider
16	Hydraulic scheme ZK valve bank
17	Hydraulic scheme VL valve bank (proportional)
18	Electronic weighing system
19A	Hydraulic scheme motor-pump-tanks, serie 01
19B	Hydraulic scheme motor-pump-tanks, serie 02
20A	Hydraulic parts motor-pump-tanks, serie 01
20B	Hydraulic parts motor-pump-tanks, serie 02
21	Hydraulic scheme gearbox cooling system
22	Hydraulic parts gearbox cooling system
23	PTO shafts

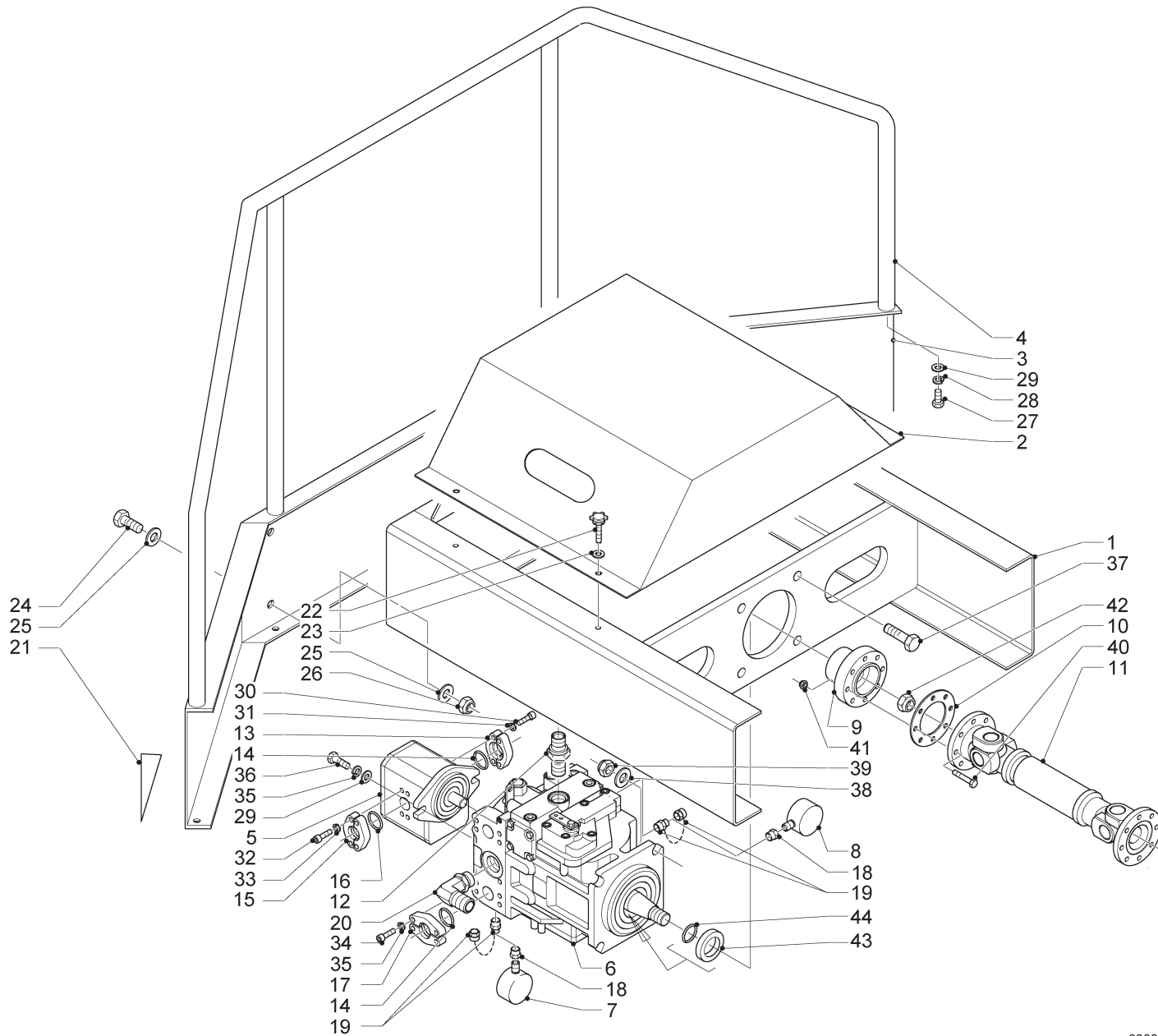
92205/1

Afbeelding 1

Picture 1

: Pompunit met front bumper

: Pump unit with front bumper



Bestelnummer
Bestellnummer
Ordernummer
Num. a commander

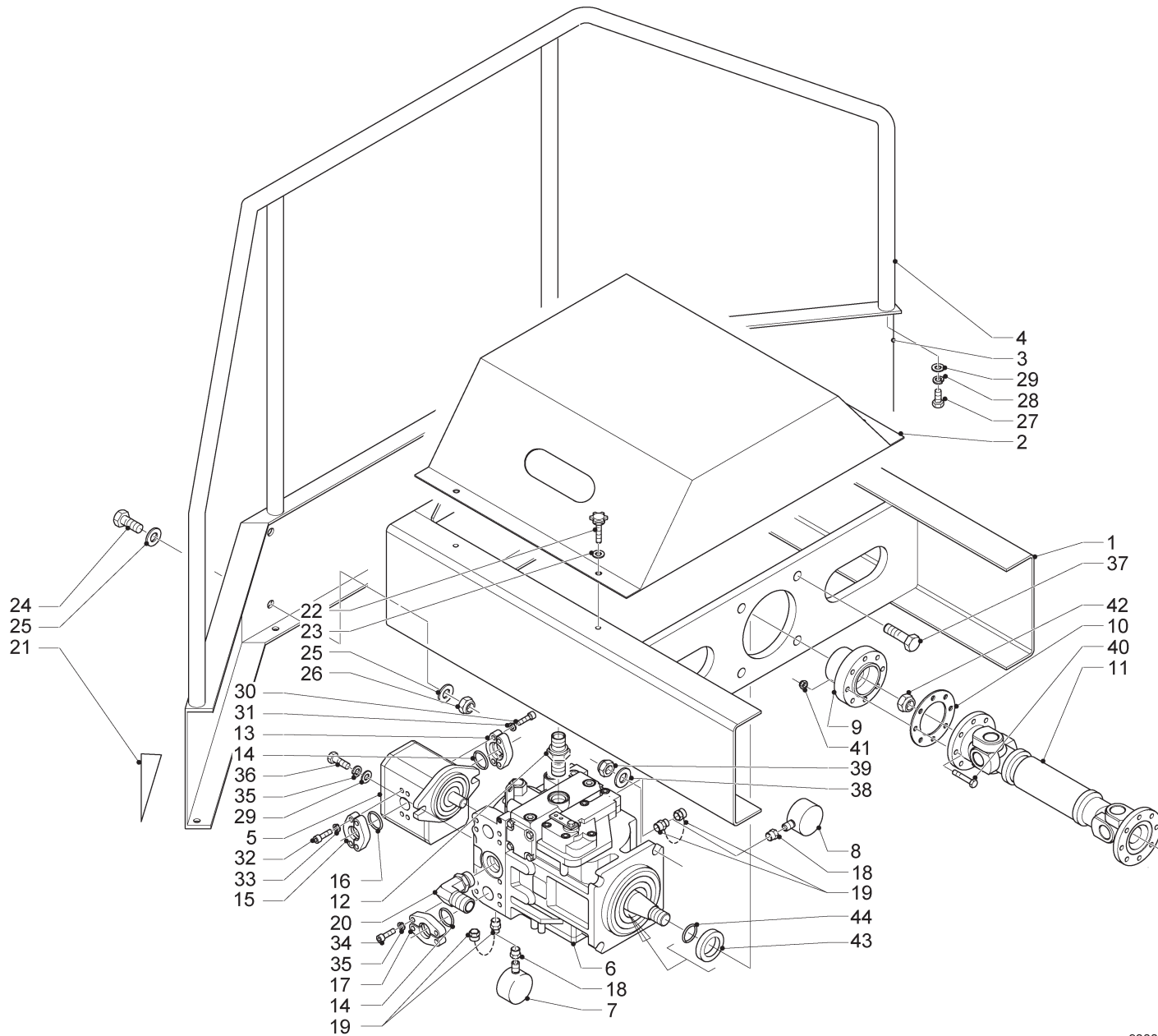
1	13402	1	
2	13413	1	
3	42134	1	
4	13403	1	
5	51223	1	Sauer SNP3/38S
6	53494	1	Sauer 90L130
7	50456	1	0-8500 PSI
8	50454	1	0-550 PSI
9	94113	1	
10	29607	1	
11A	94118	1	L=490
11B	94399	1	L=600
11C	94257	1	L=900
11D	94258	1	L=1300
12	50322	1	
13	50325	2	
14	78174	3	Ø37.69x3.53/90
15	50324	2	
16	78173	1	Ø32.92x3.53/90
17	50326	2	
18	50444	2	
19	50455	2	
20	50329	1	
21	91386	2	
22	60215	4	
23	85110	4	M10
24	81641	4	M16x40
25	85116	8	M16
26	86216	4	M16
27	81231	4	M12x30
28	85012	4	M12
29	85112	6	M12
30	84501	4	7/16"UNCx1 1/2"
31	85031	4	7/16"
32	84500	4	3/8"UNCx1 1/2"
33	85032	4	3/8"
34	84502	8	1/2"UNCx2"
35	85015	10	1/2"
36	83940	2	1/2"UNCx1 1/2"
37	82070	4	M20x70

92205/1

Afbeelding 1

Picture 1

: Pompunit met front bumper
: Pump unit with front bumper

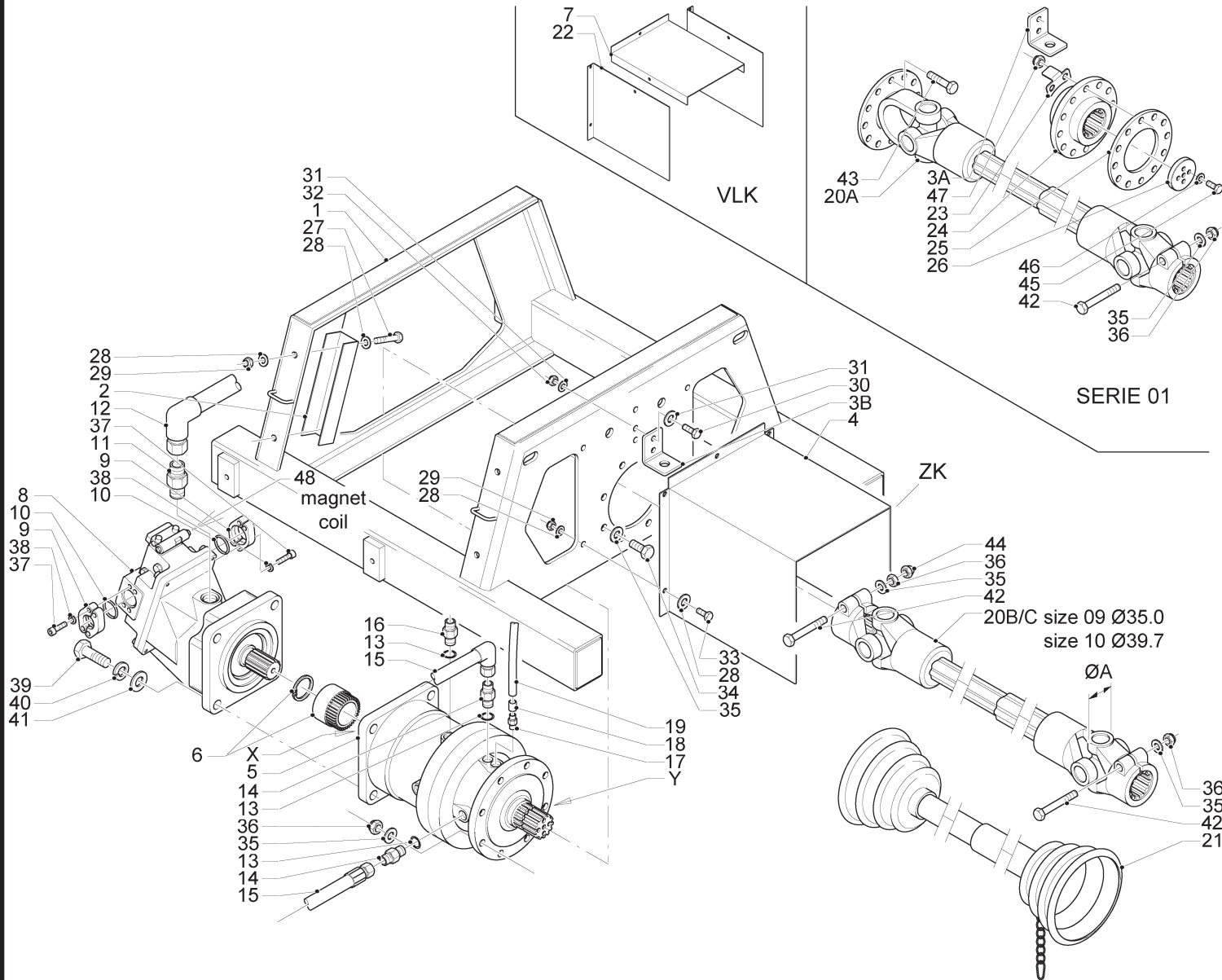


Bestelnummer
Bestelnummer
Ordernummer
Num. a commander

38	85120	4	M20
39	86220	4	M20
40	81055	8	M10x55
41	86210	8	M10
42	86231	1	M30
43	70189	1	Ø44.4x63.5x9.52
44	78183	1	Ø100 x 3

92205/1

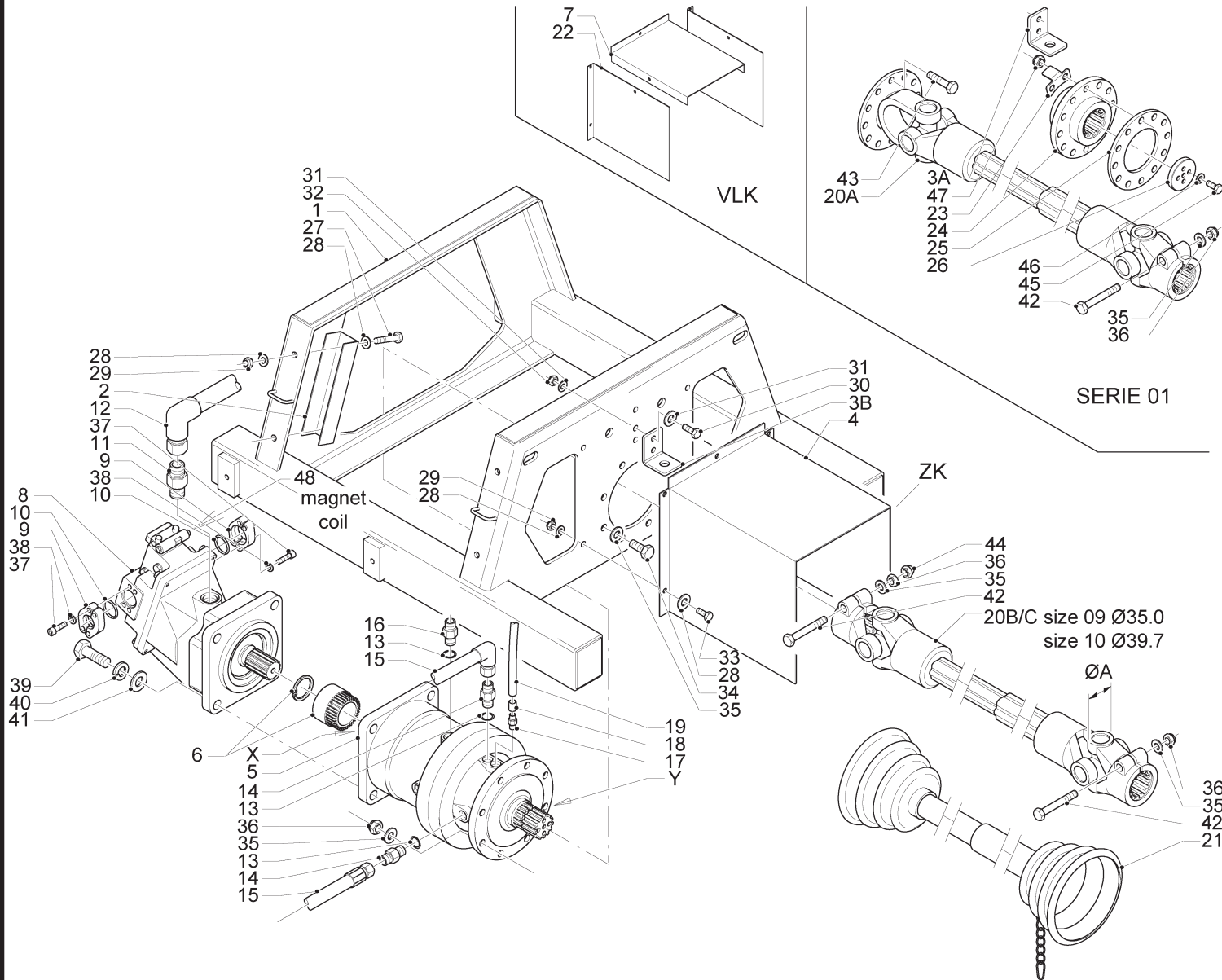
Afbeelding 2 : Aandrijfunit met onderframe
 Picture 2 : Drive unit with frame



Bestelnummer	Order number	Num. a commander
1A	13296	1 Type ZK
1B	13505	1 Type VLK
2	29952	1
3A	29805	1 Serie 01
3B	42511	1 Serie 02
4	29807	1 Type ZK
5A	94228	1 58x53
5B	94256	1 1 3/4-20
6	94183	1
7	42641	1 Type VLK
8	53493	1 Sauer 51V110
9	50327	4
10	78173	2 Ø32.92x3.53/90
11	50260	1
12	W52705	1 3/4" 1200RH
13	85236	3
14	X50261	2
15	W52709	2 5/8" 700RH
16	50116	1
17	50202	1
18	50278	1 Ø8
19	52673	1 Ø8 L=2000
20A	94159	1 1 3/4-20 / Flange serie 01
20B	94160	1 1 3/4-20 size 09
20C	94371	1 28 / 30 / 32 / 36 size 10
21	94217	1 Complete
22	42640	2 Type VLK
23	29806	1
24	94184	1
25	32367	1
26	94185	1
27	80860	2 M8x60
28	85108	12 M8
29	86208	7 M8
30	81031	2 M10x30
31	85110	4 M10
32	86210	2 M10
33	80826	5 M8x25
34	81450	8 M14x50
35	85114	19 M14

92205/1

Afbeelding 2 : Aandrijfunit met onderframe
 Picture 2 : Drive unit with frame



Bestelnummer	Bestellnummer	Ordernumber	Num. a commander
36	86214	11	M14
37	84503	8	7/16"UNCx1 3/4"
38	85031	8	7/16"
39	81861	4	M18x60
40	85018	4	M18
41	85118	4	M18
42	81480	3	M14x80
43	81260	12	M12x60
44	86939	1	M14
45	80821	4	M8x20
46	85008	4	M8
47	86212	12	M12
48	98322	1	
X	05497	1	
Y	05496	1	

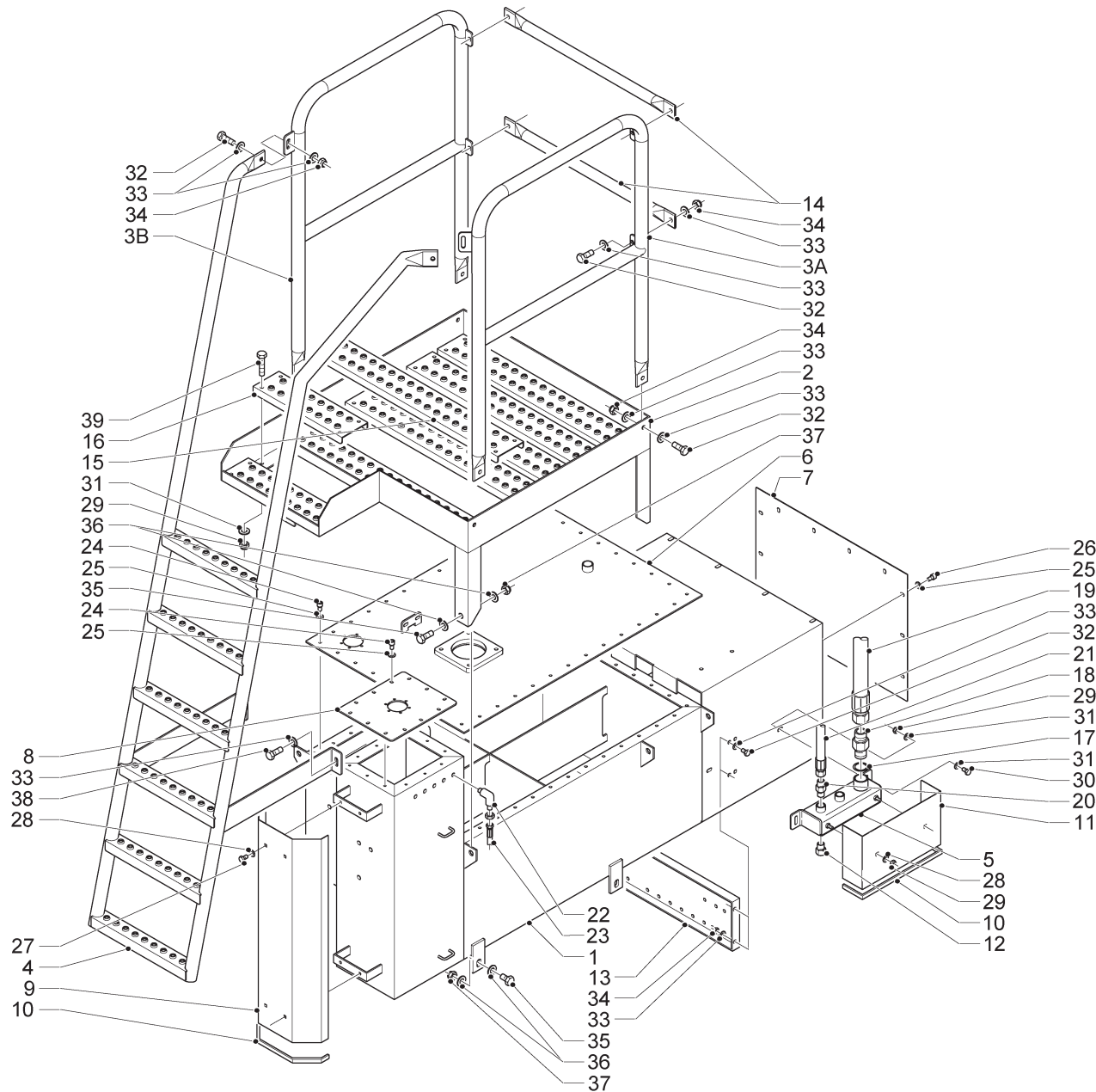
92205/1

Afbeelding 3

Picture 3

: Bordes en tanks

: Platform and tanks

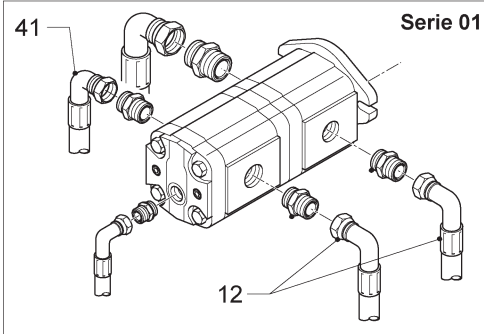
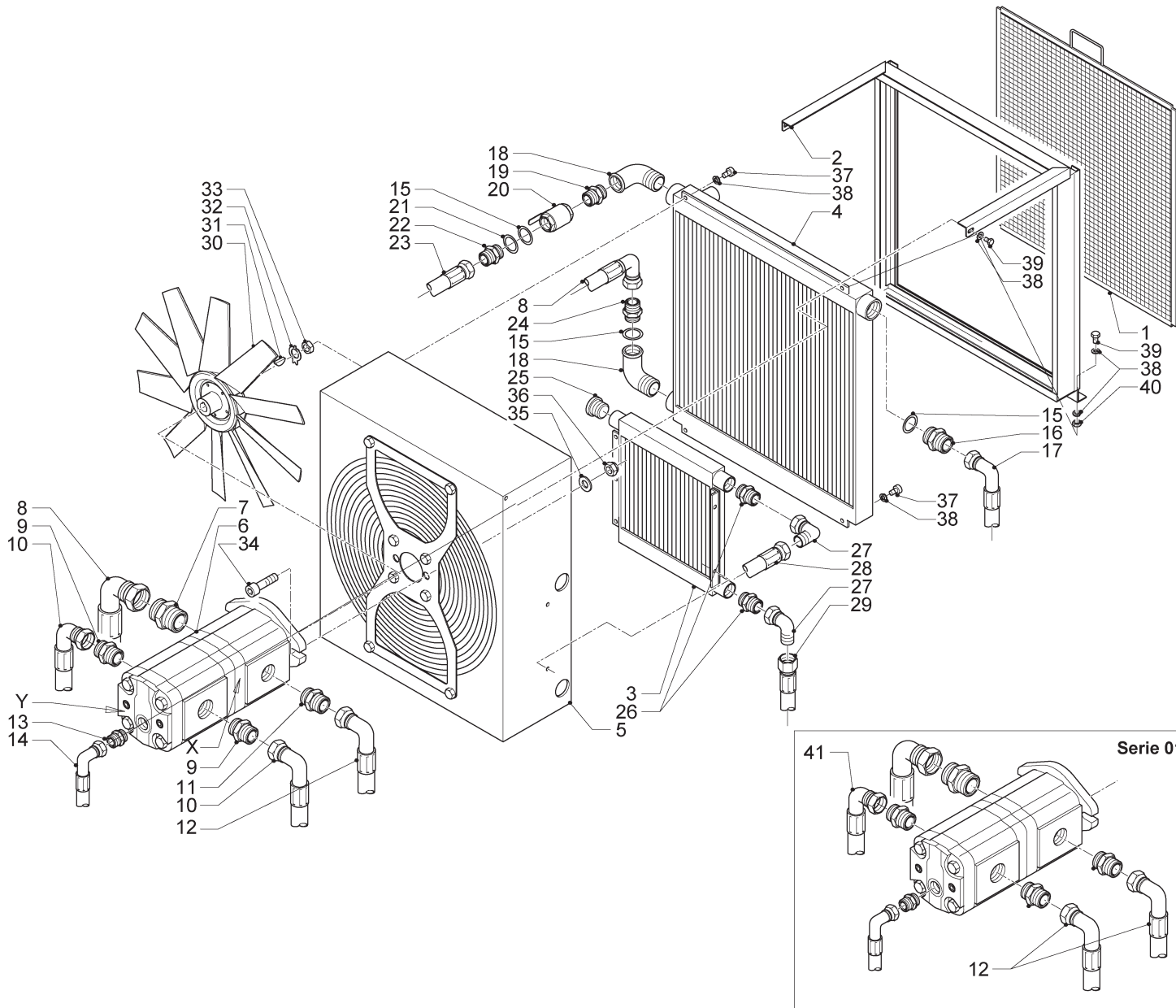


Bestelnummer
Bestellnummer
Ordernummer
Num. a commander

1	13276	1
2	13306	1
3A	13304	1
3B	13305	1
4	13307	1
5	13319	1
6	13277	1
7	29716	1
8	29711	1
9	29953	1
10	60157	4 L=374 / 494
11	29954	1
12	53362	1
13	29717	1
14	29823	2
15	29835	6
16	29836	2
17	85255	1
18	50206	1
19	B52711	1 1 1/4" 900RH
20	50257	3
21	W52705	3 3/4" 1200RH
22	50330	4
23	52673	4 Red Ø8x1
24	84420	54 M8x16
25	85106	64 M6
26	84715	14 M6x16
27	80616	4 M6x16
28	85109	6 M8
29	86208	36 M8
30	80826	2 M8x25
31	85108	40 M8
32	81031	14 M10x30
33	85110	28 M10
34	86210	14 M10
35	81641	8 M16x40
36	85116	8 M16
37	86216	8 M16
38	81020	2 M10x20
39	80850	32 M8x50

92205/1

Afbeelding 4 : Koelunit
 Picture 4 : Cooling unit



930031/1

Bestelnummer	Bestellnummer	Ordernummer	Num. a commander
1	13405	1	
2	13404	1	
3	94180	1	
4	94179	1	
5	94178	1	Complete
6	51224	1	Sauer SNP2/SNM2/22+19S
7	13430	1	
8	B52710	2	1 1/2" 1150RH
9	X50260	2	
10	W52736	2	5/8" 1200RH
11	X50259	1	
12	W52705	3	3/4" 1200RH
13	X50203	1	
14	52704	1	1/4" 550RH JICUNF
15	85255	3	
16	50206	1	
17	G52711	1	1 1/4" 900RH
18	50512	2	
19	50572	1	
20	50544	1	
21	32398	1	
22	50320	1	
23	J52715	1	1 1/4" 6000HR FJIC
24	50205	1	
25	53362	1	
26	50257	2	
27	50452	2	
28	W52720	1	3/4" 1900RH
29	W52707	1	3/4" 4500RR
30	94274	1	
31	88306	1	4x6.5
32	85140	1	
33	86134	1	M12x1 1/4
34	84452	2	M10x35
35	85110	2	M10
36	86210	2	M10
37	84414	4	M8x30
38	85108	10	M8
39	80821	4	M8x20
40	86208	2	M8

930031L/1/1

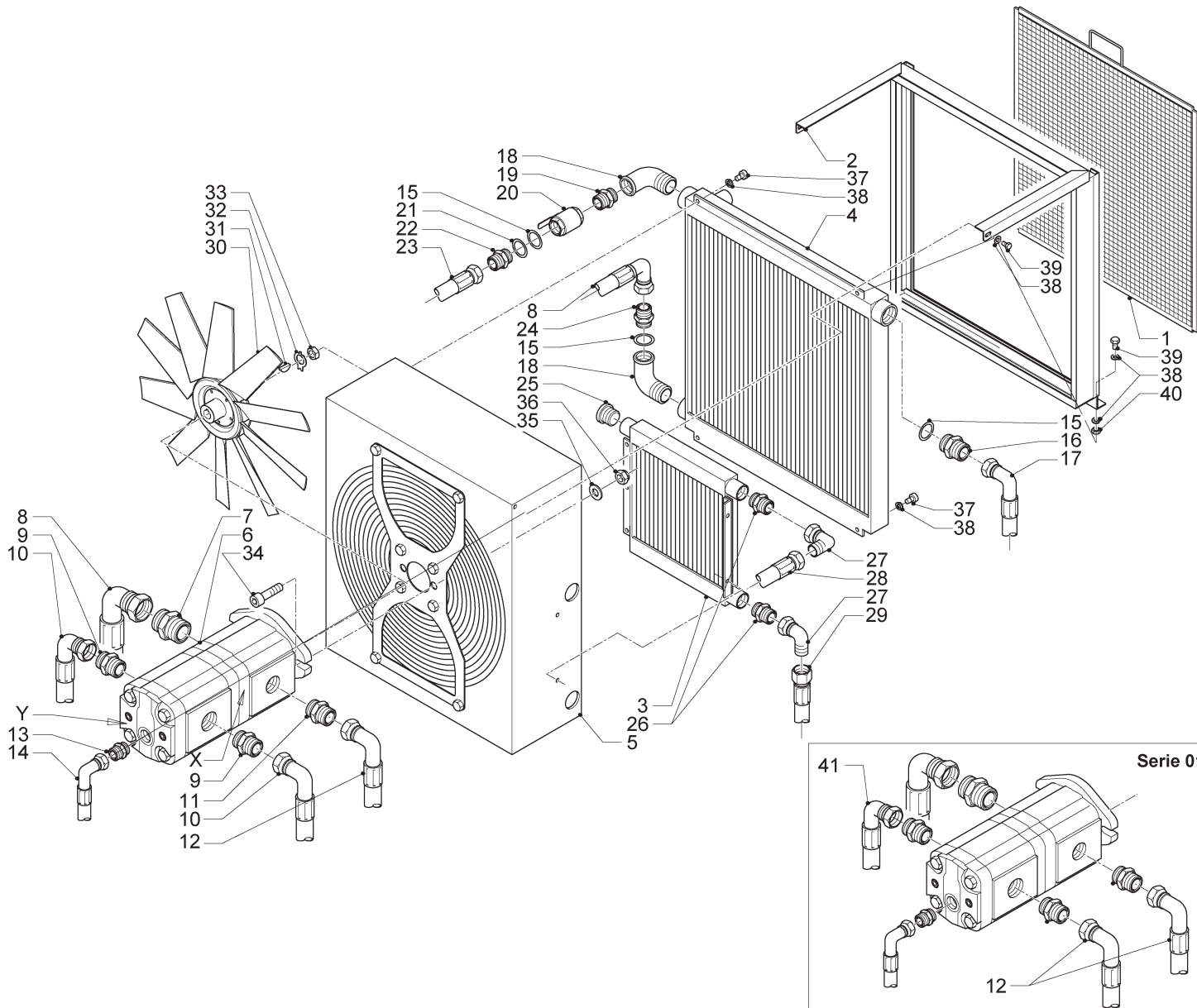
92205/1

Afbeelding 4

Picture 4

: Koelunit

: Cooling unit

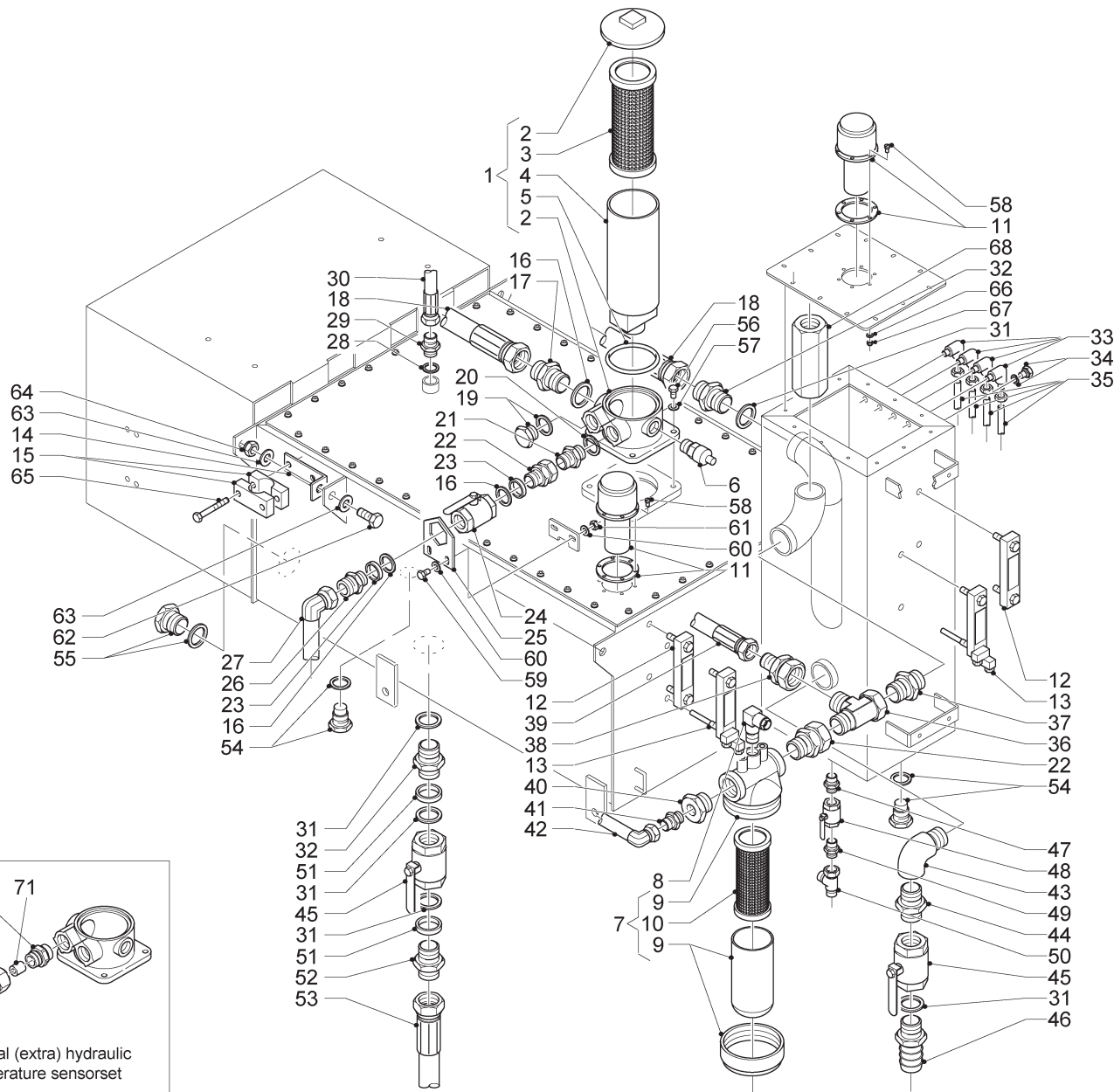


Bestelnummer
Bestellnummer
Ordernummer
Num. a commander

41	W52708	1	3/4" 1000RH
X	05487	1	
Y	05488	1	

92205/1

Afbeelding 5 : Tankcomponenten
 Picture 5 : Tank components



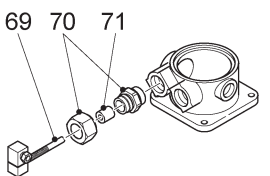
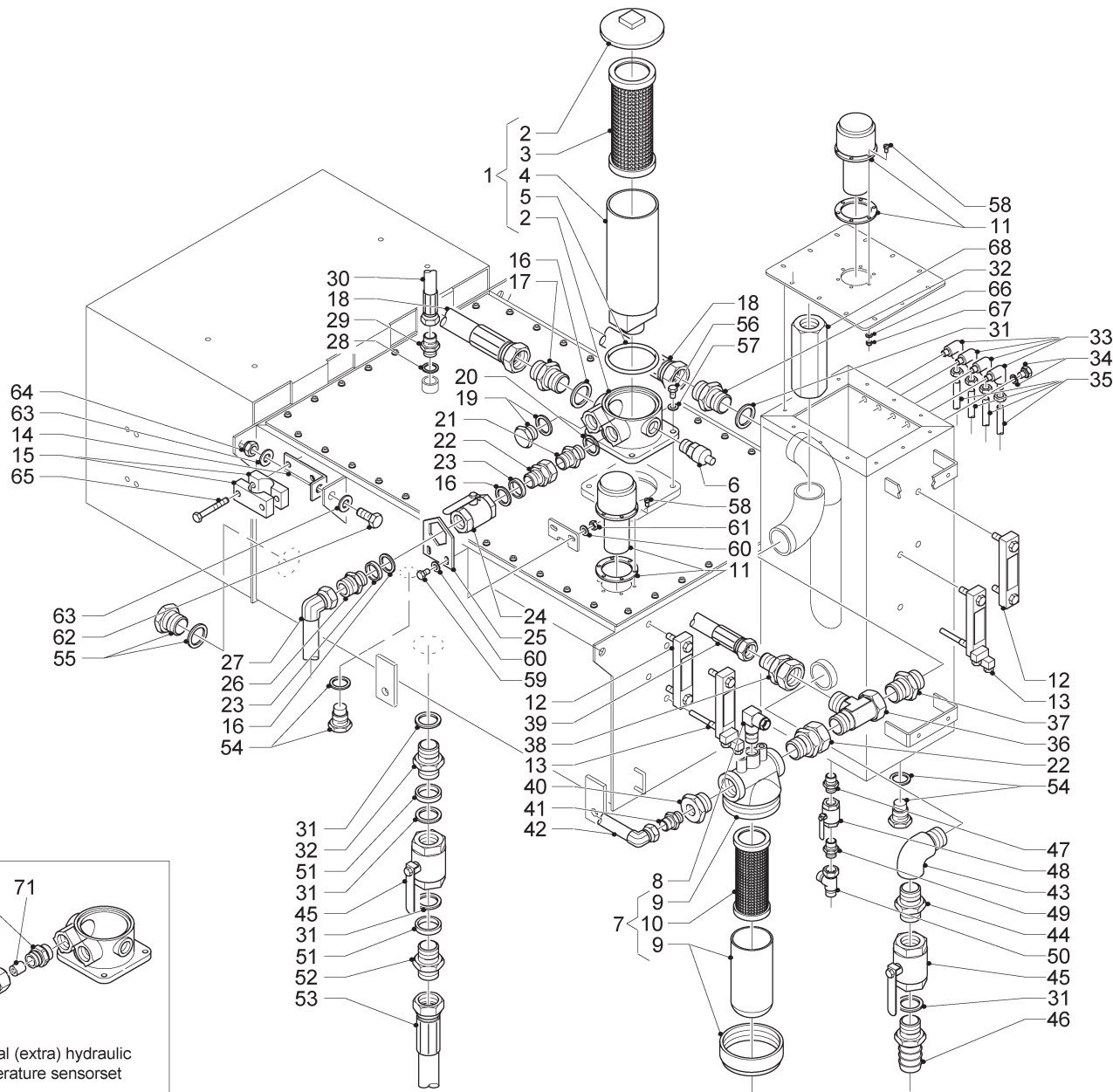
Optional (extra) hydraulic temperature sensorset

Bestelnummer
 Bestellnummer
 Ordernummer
 Num. a commander

1	94218	1
2	94222	1
3	94219	1
4	94220	1
5	78180	1 Ø94.92x2.62/70
6	94177	1 29 PSI (2.0 Bar)
7	94147	1
8	94221	1 72 PSI (5.0 Bar)
9	94223	1
10	94148	1
11	90187	2
12	94181	2
13	94182	2 178°F (80°C)
14	42252	1
15	94233	2
16	85255	3
17	50205	1
18	B52710	1 1 1/2" 1150RH
19	53366	1
20	85254	1
21	50266	1
22	50318	2
23	32398	2
24	50544	1
25	42204	1
26	50320	1
27	J52714	1 1 1/4" 5000HH FJIC
28	85252	1
29	50204	1
30	J52704	1 1/4" 550RH JICUNF
31	85256	4
32	50207	2
33	50330	4
34	53305	1
35	52673	4 Red Ø8x1
36	50316	1
37	50264	1
38	50299	1
39	W52705	1 3/4" 1200RH
40	50208	1

92205/1

Afbeelding 5 : Tankcomponenten
 Picture 5 : Tank components



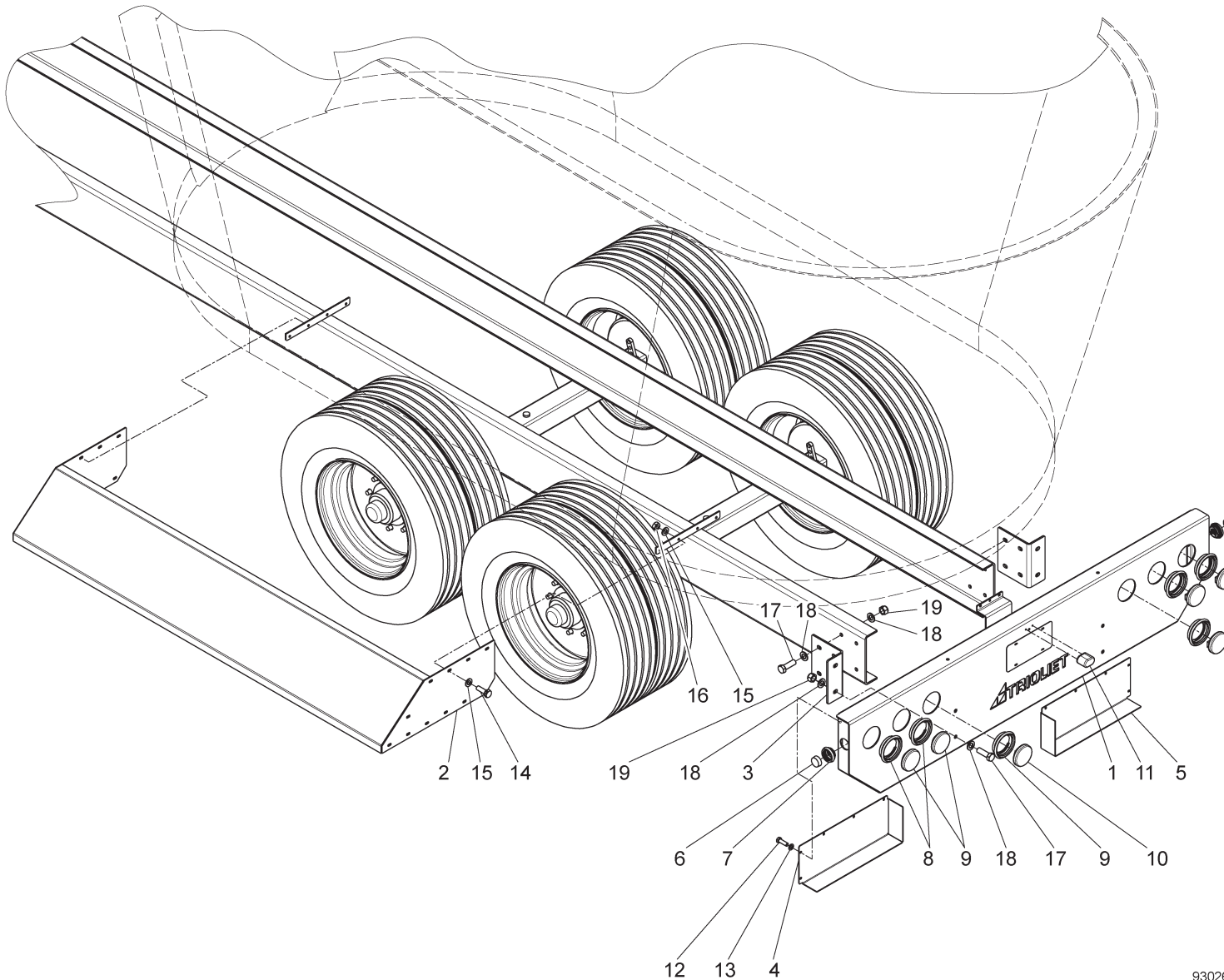
Optional (extra) hydraulic temperature sensorset

Bestelnummer
 Bestellnummer
 Ordernummer
 Num. a commander

41	50257	1	
42	W52720	1	3/4" 1900RH
43	50513	1	
44	50573	1	
45	50545	2	
46	53361	1	
47	50570	1	
48	50542	1	
49	50263	1	
50	50312	1	
51	32399	2	
52	50321	1	
53	J52713	1	1 1/4" 5000HR FJIC
54	53369	2	
55	53368	1	
56	81026	4	M10x25
57	85110	4	M10
58	80516	12	M5x16
59	80826	2	M8x25
60	85108	4	M8
61	86208	2	M8
62	81641	1	M16x40
63	85116	2	M16
64	86216	1	M16
65	80680	2	M6x80
66	85105	12	M5
67	86205	12	M5
68	53499	1	7 Bar
69	94225	1	
70	50267	1	
71	32519	1	

92205/1

Afbeelding 6 : Frame delen
Picture 6 : Frame parts

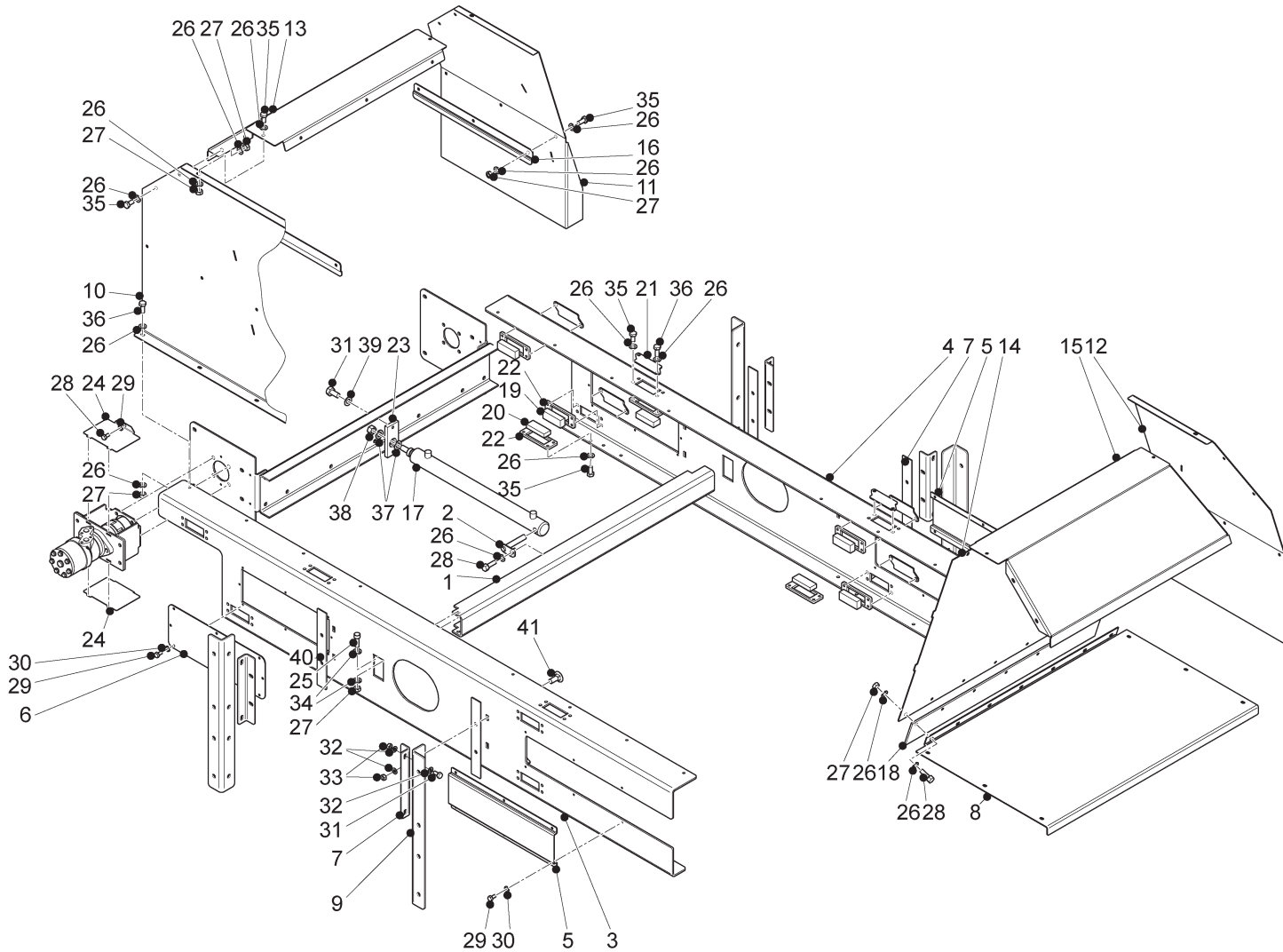


Bestelnummer
Bestellnummer
Ordernummer
Num. a commander

1	13463	1	
2A	13443	2	L = 2008
2B	13442	2	L = 2458
2C	13444	2	L = 3008
3	42259	2	
4	42257	1	
5	42258	1	
6	98266	2	
7	98268	2	
8	98262	4	
9	98264	6	
10	98263	2	
11	98271	1	
12	80816	12	M8 x 16
13	85108	12	M8
14	81031	16	M10 x 30
15	85110	32	M10
16	86210	16	M10
17	81641	12	M16 x 40
18	85116	24	M16
19	86216	12	M16

92205/1

Afbeelding 7A : VLK-unit, buitenframe en beplating
 Picture 7A : VLK-unit, outer frame and covers

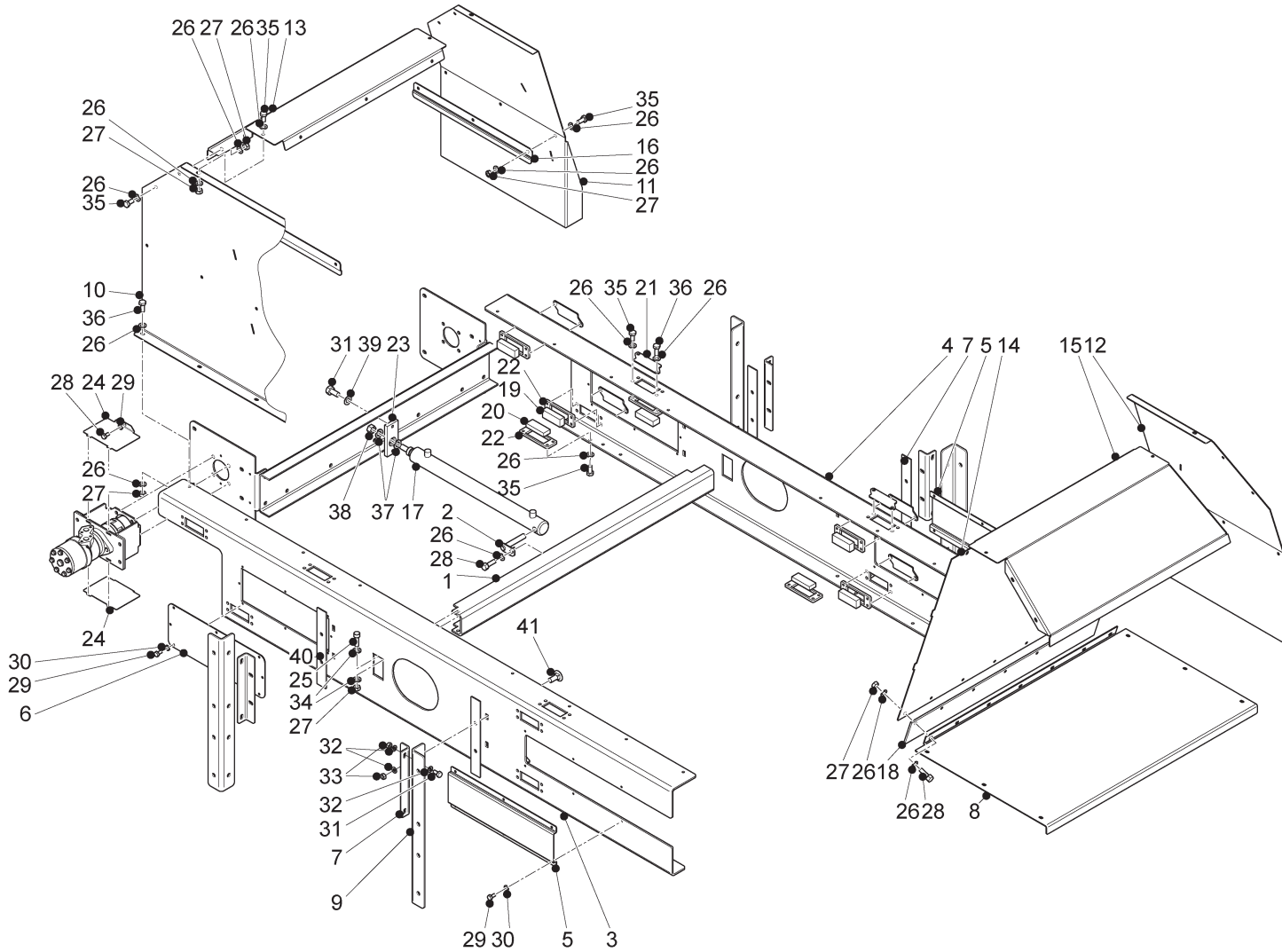


Bestelnummer
 Bestellnummer
 Ordernummer
 Num. a commander

1	13493	1	
2	13382	1	
3	42407	1	
4	42408	1	
5	42411	2	
6A	42829	1	Front side
6B	42541	1	Back side
7	42409	4	
8	42224	1	
9	43330	4	
10	42630	1	
11	42632	1	
12	42631	1	
13	42222	1	
14	42223	1	
15	42602	1	
16	42603	2	
17	51245	1	
18	60427	1	
19	60429	12	
20	60430	4	
21	42700	12	
22	42702	16	
23	42709	1	
24	40716	2	
25	84402	1	M8x25
26	85108	99	M8
27	86208	46	M8
28	80826	8	M8x25
29	84710	30	M6x12
30	85106	30	M6
31	81026	10	M10x25
32	85123	32	M10
33	86210	24	M10
34	85009	2	M8
35	80816	56	M8x16
36	80821	39	M8x20
37	85116	2	M16
38	86216	1	M16
39	85010	2	M10

92205/1

Afbeelding 7A : VLK-unit, buitenframe en beplating
Picture 7A : VLK-unit, outer frame and covers

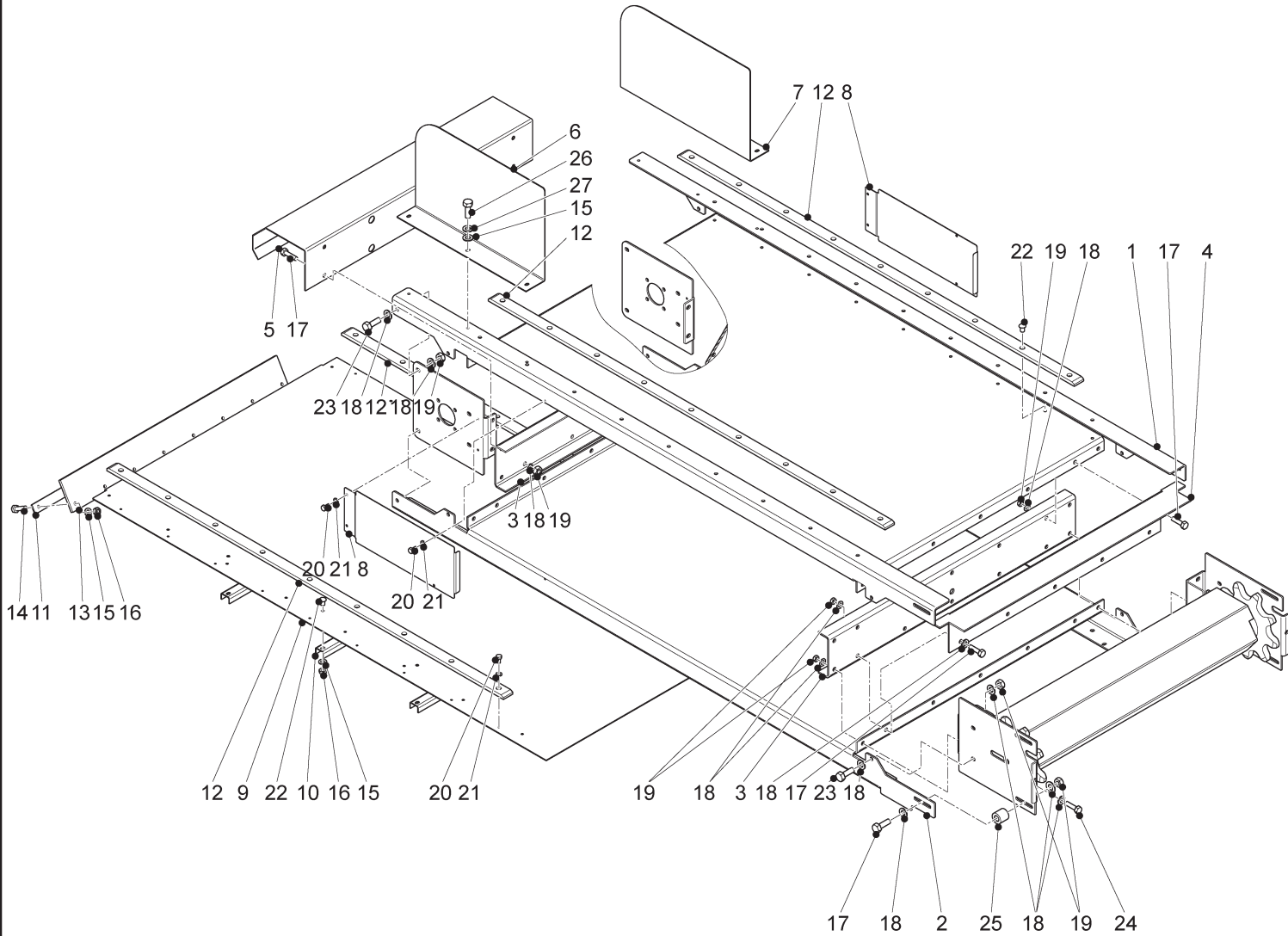


Bestelnummer
Bestelnummer
Ordernummer
Num. a commander

40	42750	4	
41	83125	8	M10 x 25

92205/1

Afbeelding 7B : VLK-unit, binnenframe
Picture 7B : VLK-unit, inner frame

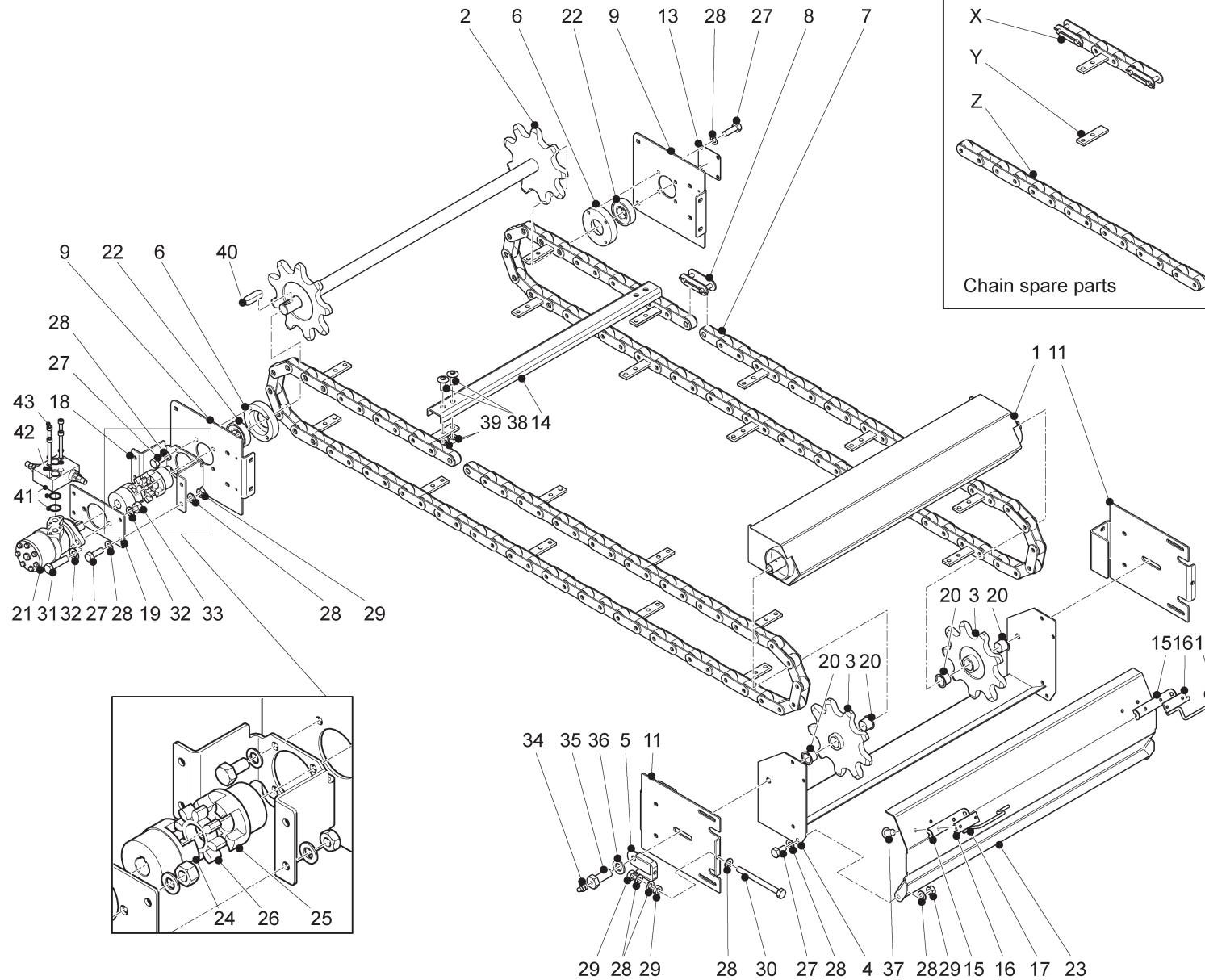


Bestelnummer
Bestellnummer
Ordernummer
Num. a commander

1	42398	1
2	42399	1
3	42404	2
4	42429	1
5	13491	1
6	42405	1
7	42406	1
8	40711	2
9	42531	1
10	42536	3
11	42540	1
12	60425	4
13	60428	1
14	80831	8 M8x30
15	85108	20 M8
16	86208	14 M8
17	81031	28 M10x30
18	85123	88 M10
19	86210	44 M10
20	84710	8 M6x12
21	85106	8 M6
22	84809	24 M8x12
23	81026	12 M10x25
24	81036	4 M10x35
25	32324	4
26	80812	6 M8x12
27	85008	6 M8

92205/1

Afbeelding 7C : VLK-unit, aandrijving
 Picture 7C : VLK-unit, drive set

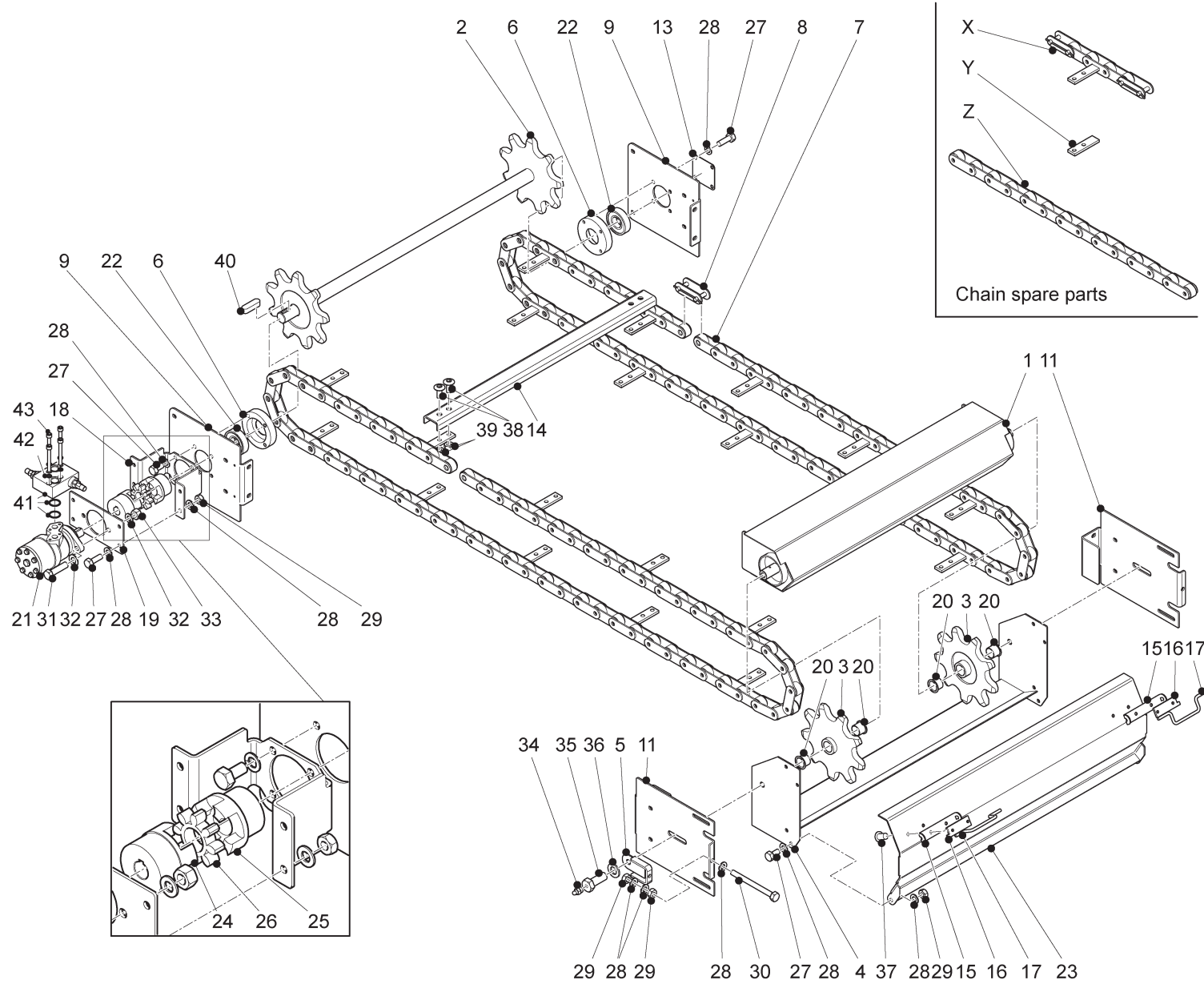


Bestelnummer
 Bestellnummer
 Ordernummer
 Num. a commander

1	13490	1
2	13489	1
3	13423	2
4	13492	1
5	13494	2
6	32438	2
7	39255	2
8	39218	2
9	42400	2
11	42402	2
13	40714	1
14	42110	10
15	42423	2
16	42424	2
17	42425	2
18	42436	1
19	42437	1
20	51747	4
21	51003	1
22	70064	2
23	42422	1
24	94290	1
25	94291	1
26	94292	1
27	81031	14 M10x30
28	85123	26 M10
29	86210	10 M10
30	81015	2 M10x110
31	81245	2 M12x45
32	85112	4 M12
33	86212	2 M12
34	89503	2 M6
35	81654	2 M16x50
36	85116	2 M16
37	84806	4 M8x16
38	84925	40 M10x23
39	86810	40 M10
40	88332	1 10x8x32
41	53521	1
42	85009	4 M8

92205/1

Afbeelding 7C : VLK-unit, aandrijving
 Picture 7C : VLK-unit, drive set

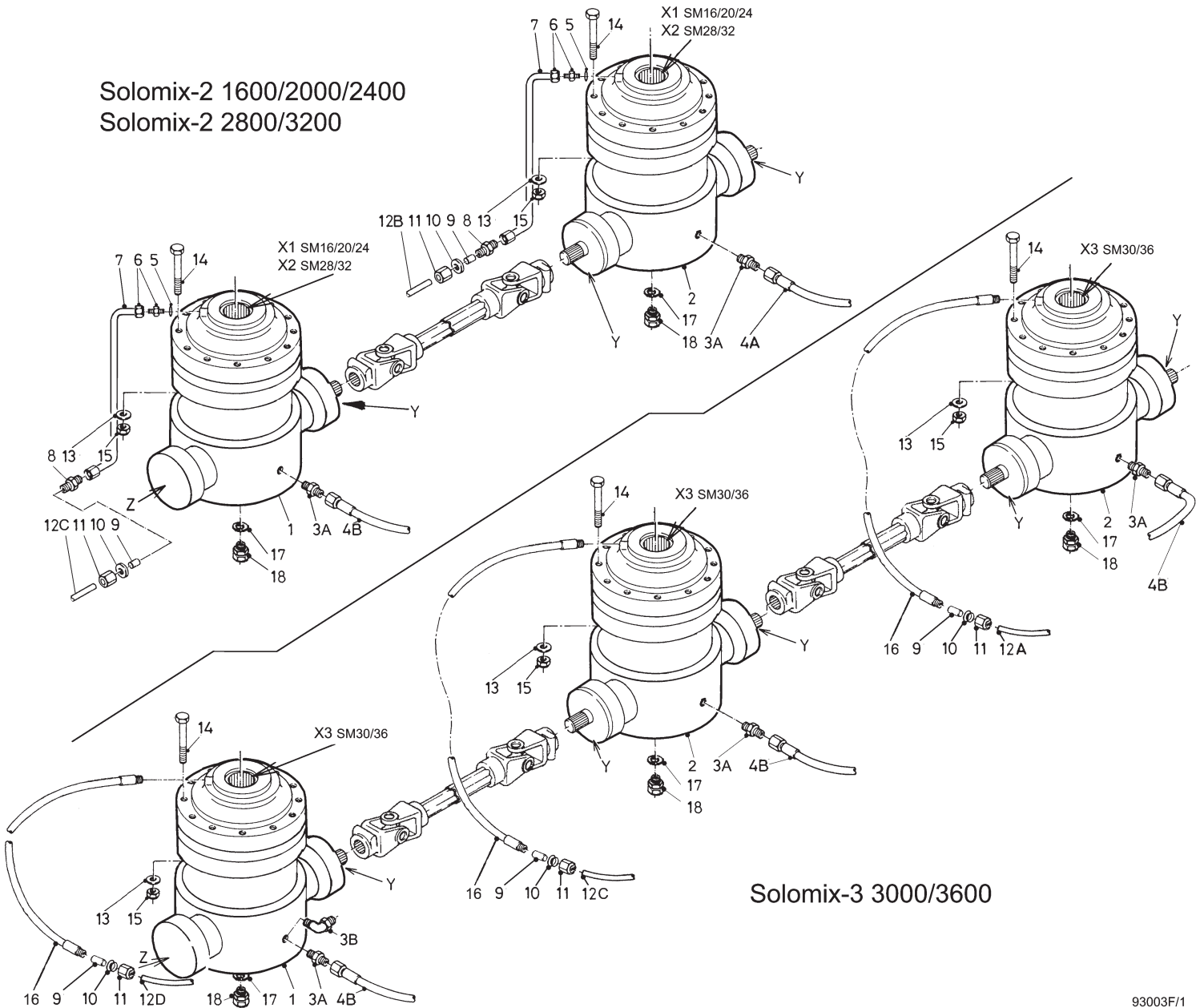


Bestelnummer
 Bestelnummer
 Ordernummer
 Num. a commander

43	84449	4	M8 x 60
X	05540	1	L = 375
Y	42109	1	
Z	39302	1	L = 975

92205/1

Afbeelding 8 : Tandwielkasten Truckmount mixers
 Picture 8 : Gearboxes Truckmount mixers



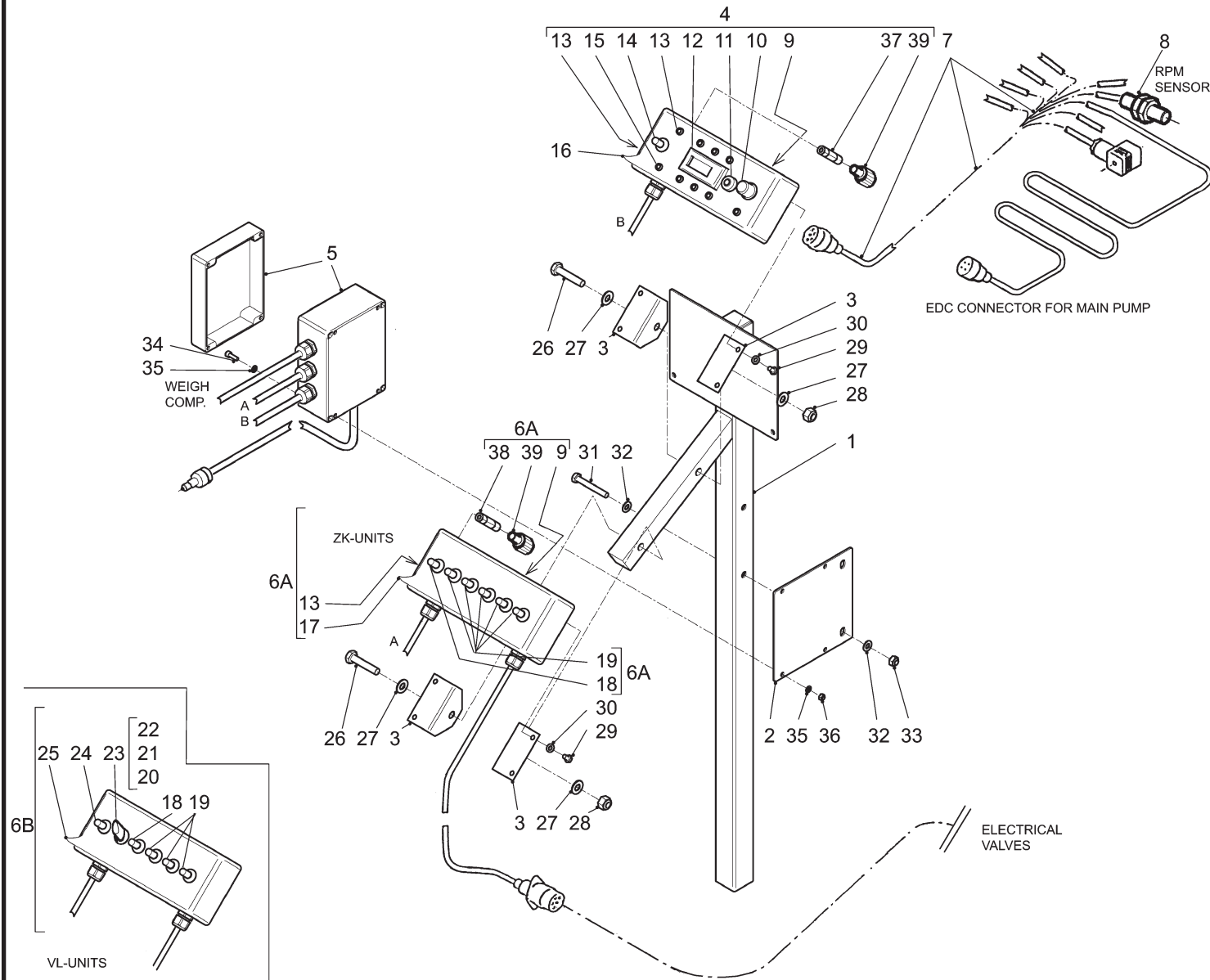
Solomix-3 3000/3600

Bestelnummer
 Bestellnummer
 Ordernummer
 Num. a commander

1A	94171	1	SM 16/20/24
1B	94163	1	SM 28/32
1C	94115	1	SM 30/36
2A	94170	1	SM 16/20/24
2B	94162	2	SM 28/32
2C	94119	2	SM 30/36
3A	X50112	5	3/8"
3B	X50105	1	3/8"
4A	W50665	1	3/8" 1850RH
4B	W50622	2	3/8" 4500RH
5	85257	2	
6	X50202	2	
7A	52722	2	SM 16/20/24
7B	52721	2	SM 28/32
8	X50135	2	
9	50278	5	Ø8
10	50412	5	
11	50411	5	
12B	52675	1	L = 3000 Ø8
12C	52676	2	L = 4600 Ø8
12A	52674	1	L = 2800 Ø8
12D	52685	1	L = 7200 Ø8
13	85114	60	M14
14	84487	60	M14x140
15	86214	60	M14
17	85236	5	
18	53375	5	
X1	70168	2	100x130x12 SM 16/20/24
X2	05499	2	SM 28/32
X3	05494	3	SM 30/36
Y	05471	5	All types
Z	78167	2	All types

92205/1

Afbeelding 9 : Bedieningskasten
 Picture 9 : Control boxes



Bestelnummer
 Bestellnummer
 Ordernummer
 Num. a commander

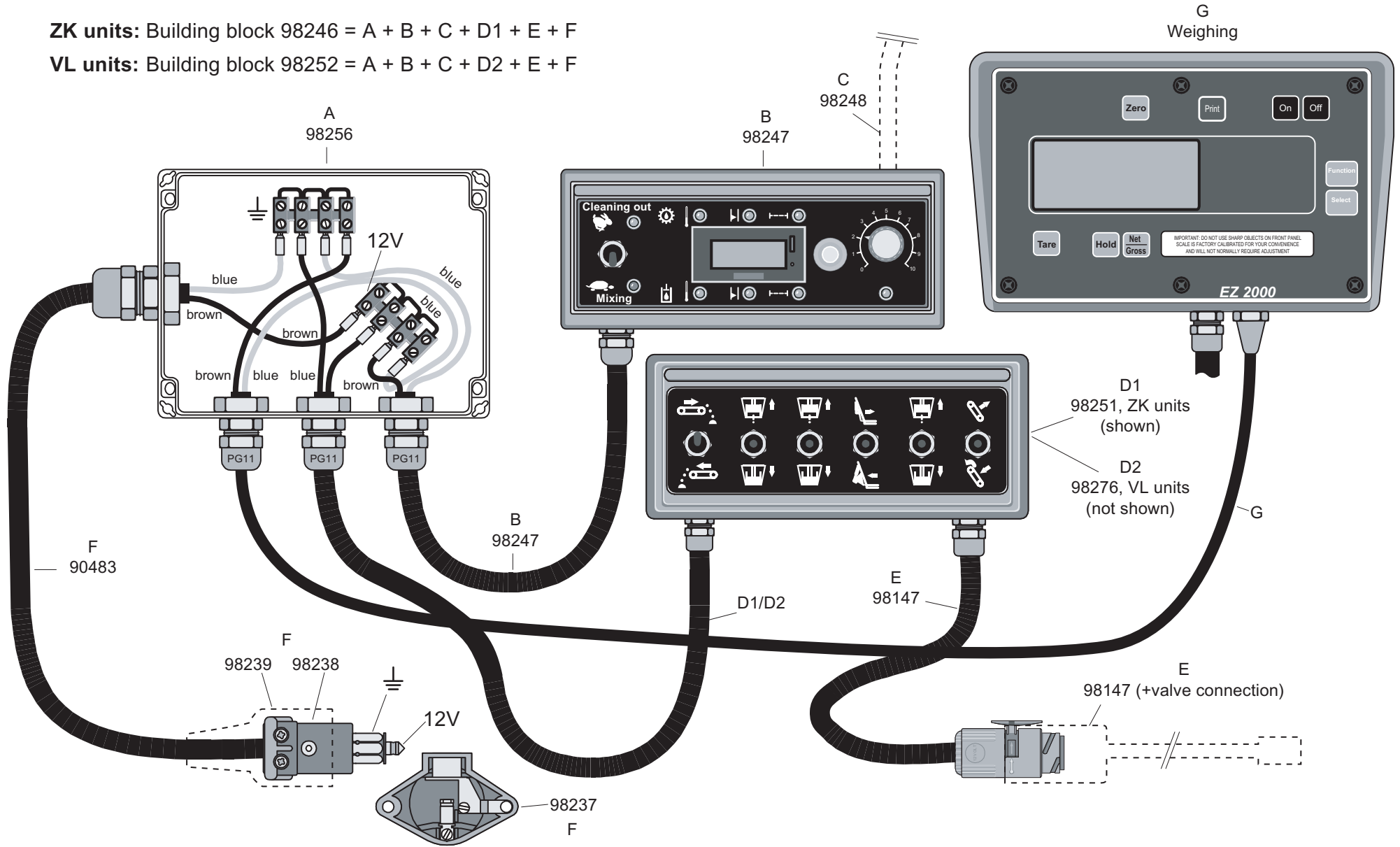
1	13332	1
2	42254	1
3	29998	4
4	98247	1 Box complete
5	98256	1
6A	98251	1 Box complete ZK units
6B	98276	1 Box complete VL units
7	98248	1
8	98255	1
9	98054	3
10	98249	1
11	98279	1
12	98250	1
13	98051	10 Red
14	98278	1
15	98253	1 Green
16	91392	1
17	91379	1
18	98206	1
19	98113	9
20	98183	1 Knob
21	98209	1 Pot. meter
22	98208	1 Print. circuit
23	98182	1 Prop. unit complete
24	98061	1
25	91390	1
26	81050	2 M10x50
27	85110	4 M10
28	86210	2 M10
29	80610	8 M6x10
30	85106	8 M6
31	80860	2 M8x60
32	85108	4 M8
33	86208	2 M8
34	84409	4 M5x16
35	85105	8 M5
36	86205	5 M5
37	98254	1
38	98053	1
39	98052	2

92205/1

Afbeelding 10 : Aansluitingen bedieningskasten en weegcomputer
Picture 10 : Connections of control boxes and weigh computer

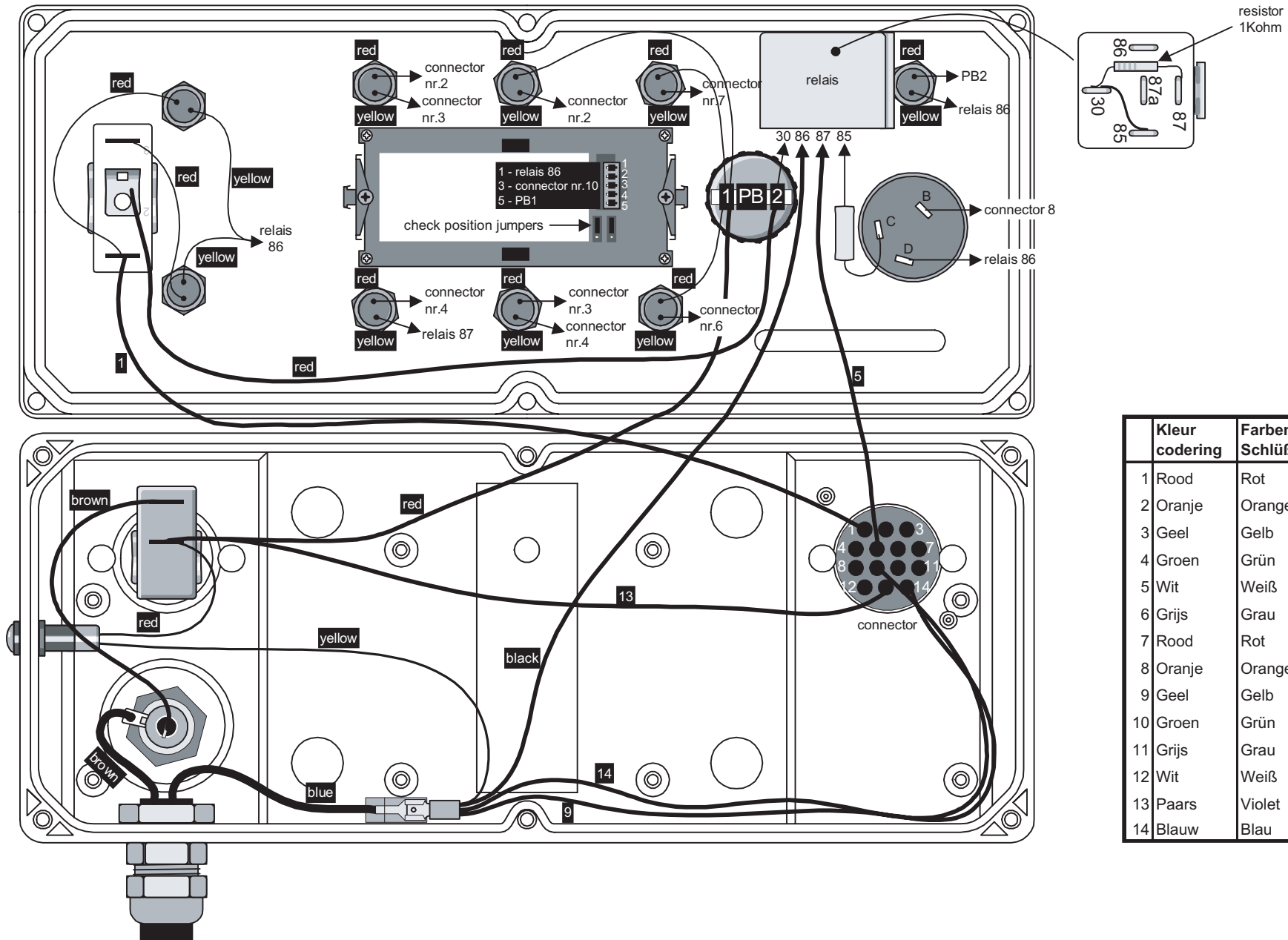
ZK units: Building block 98246 = A + B + C + D1 + E + F

VL units: Building block 98252 = A + B + C + D2 + E + F



92205/1

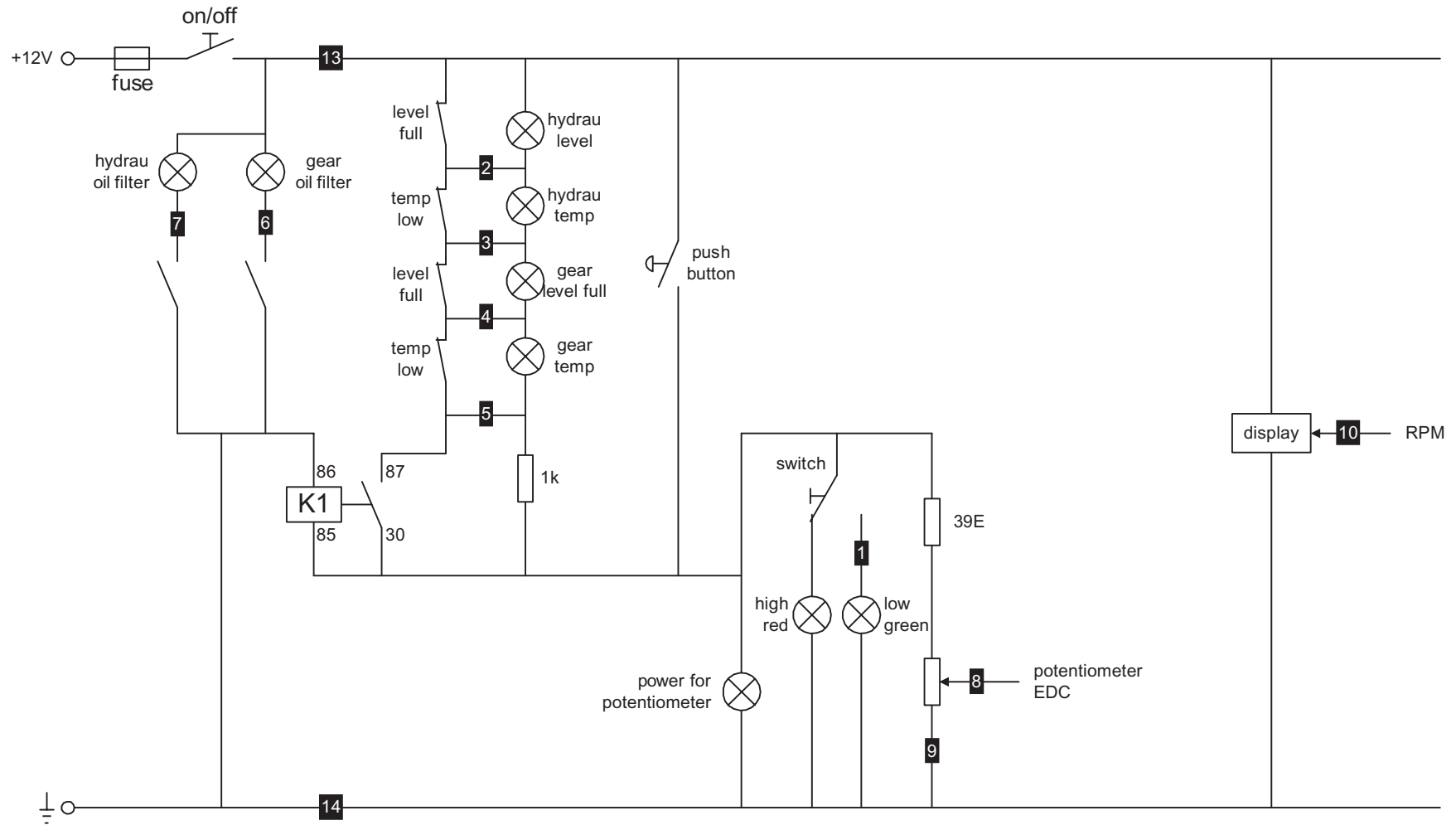
Afbeelding 11 : Bedringschema bedieningskast Truckmount aandrijving
 Picture 11 : Wiring scheme control box Truckmount unit



	Kleur codering	Farben Schlüssel	Colour code	Codes des couleurs
1	Rood	Rot	Red	Rouge
2	Oranje	Orange	Orange	Orange
3	Geel	Gelb	Yellow	Jaune
4	Groen	Grün	Green	Vert
5	Wit	Weiß	White	Blanc
6	Grijs	Grau	Grey	Gris
7	Rood	Rot	Red	Rouge
8	Oranje	Orange	Orange	Orange
9	Geel	Gelb	Yellow	Jaune
10	Groen	Grün	Green	Vert
11	Grijs	Grau	Grey	Gris
12	Wit	Weiß	White	Blanc
13	Paars	Violet	Purple	Violet
14	Blauw	Blau	Blue	Bleu

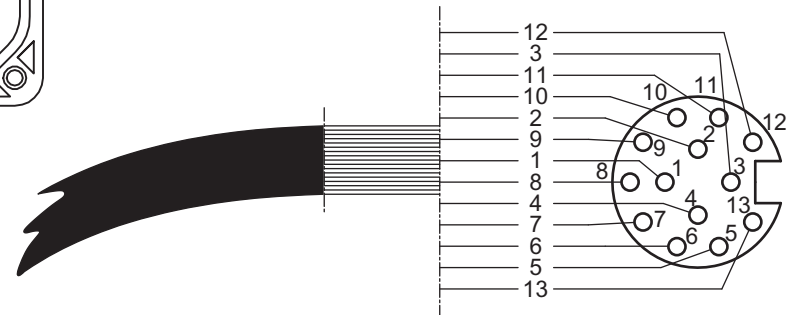
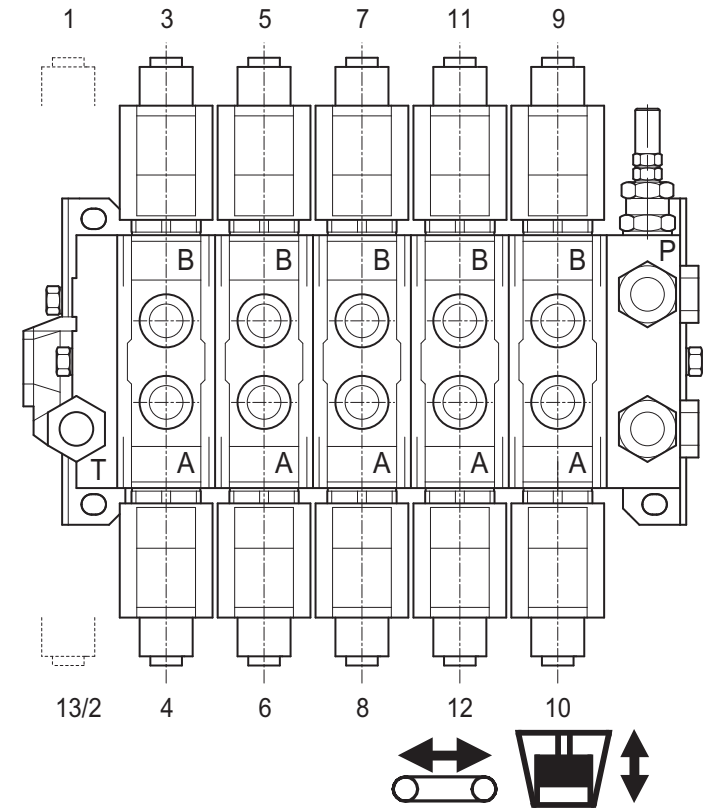
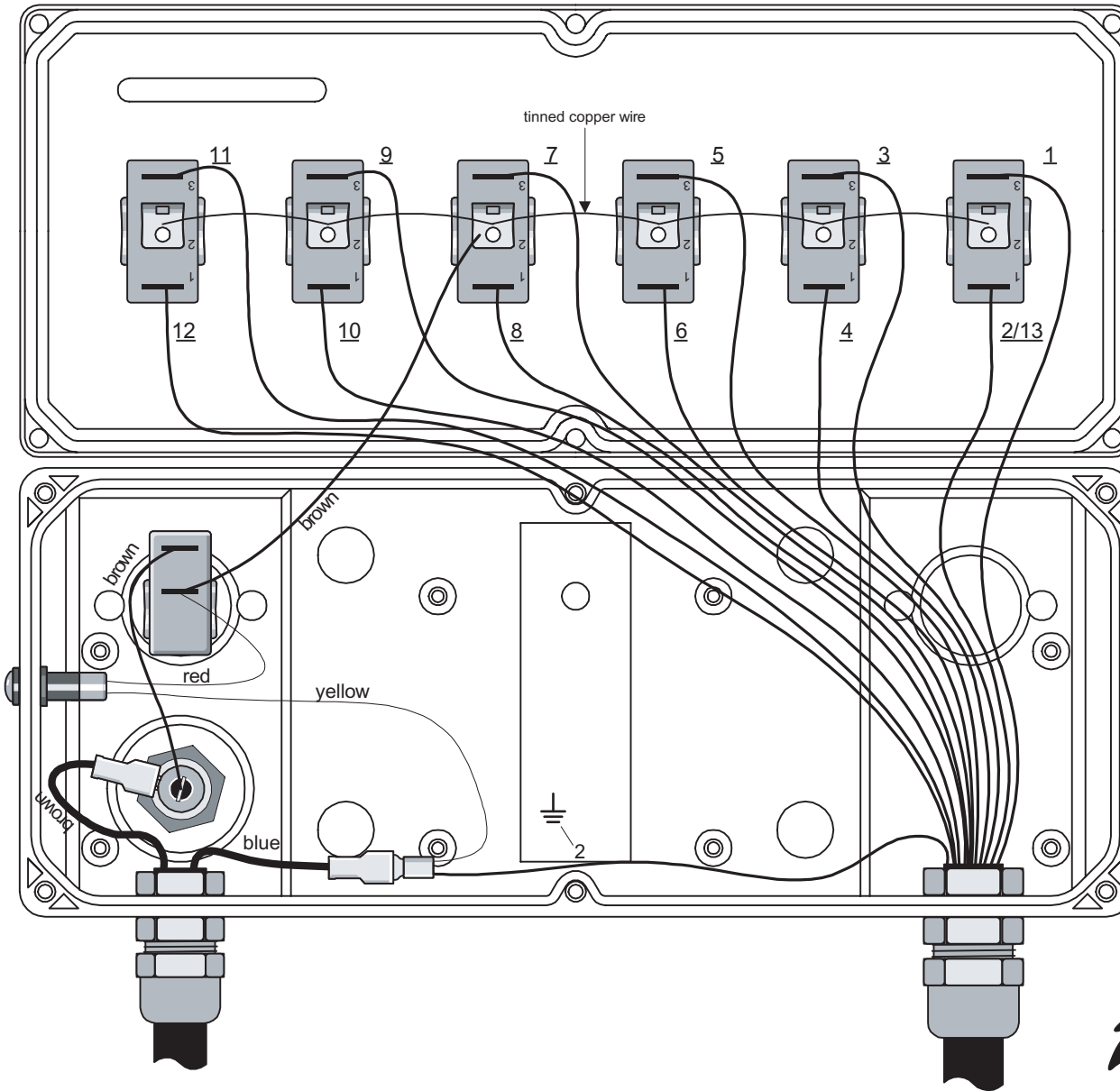
92205/1

Afbeelding 12 : Elektrisch schema bedieningskast Truckmount aandrijving
Picture 12 : Electrical scheme control box Truckmount unit



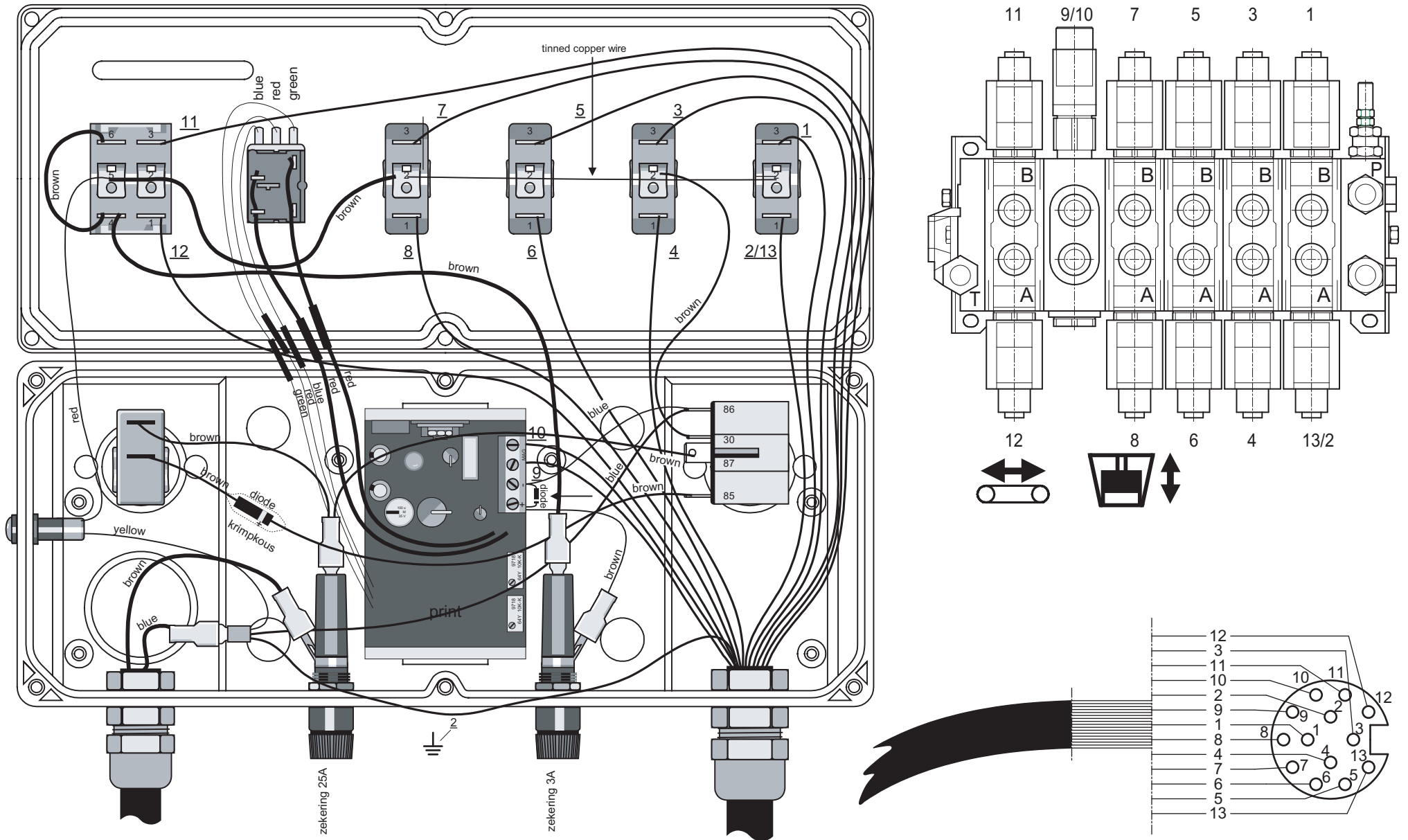
92205/1

Afbeelding 13 : Bedradingsschema en ventilaansluitschema bedieningskast Solomix ZK Truckmount type
Picture 13 : Wiring scheme and valve scheme ZK model Solomix Truckmount mixer



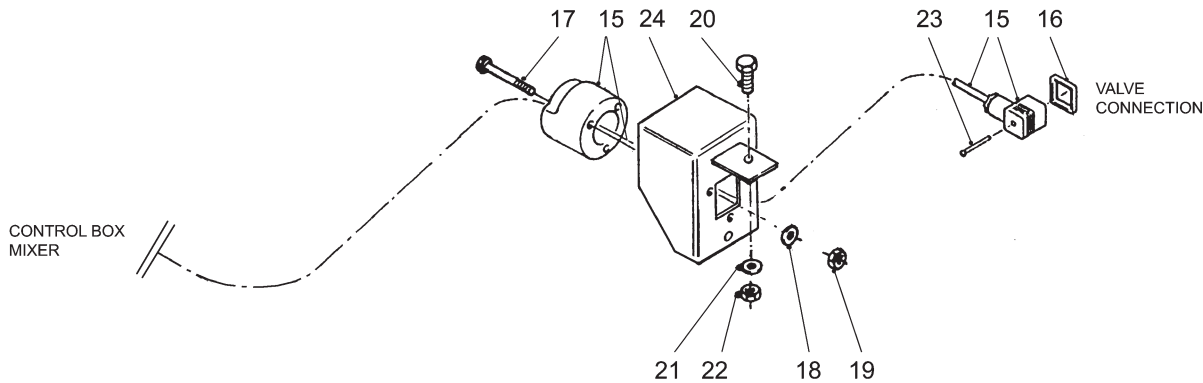
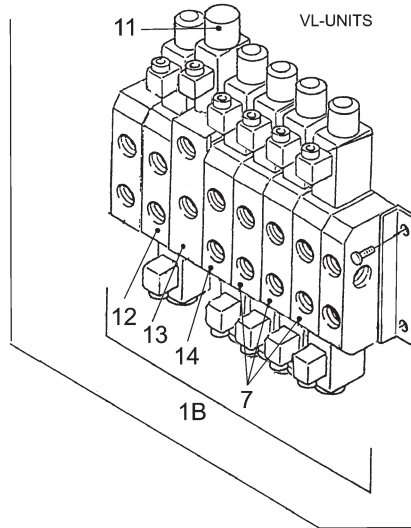
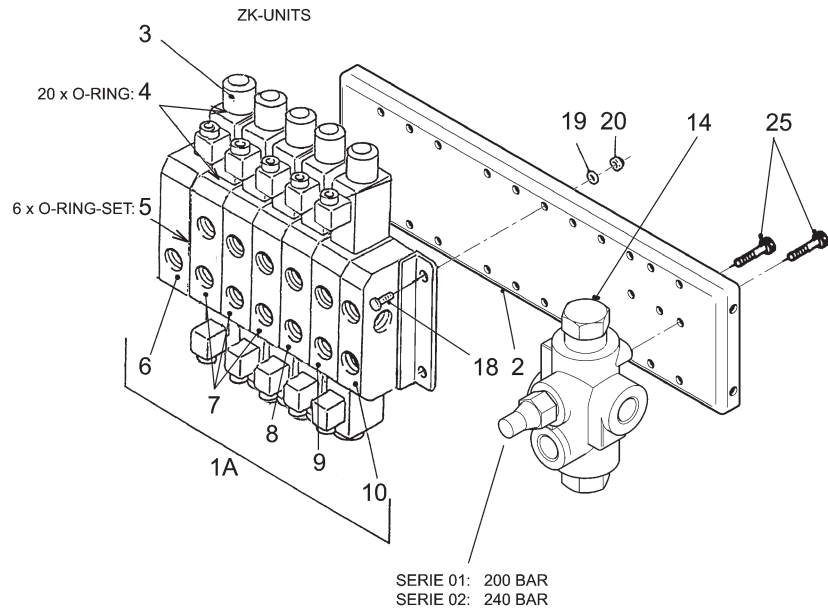
92205/1

Afbeelding 14 : Bedringschema en ventilaansluitschema bedieningskast Solomix VL Truckmount type
Picture 14 : Wiring scheme and valve scheme VL model Solomix Truckmount mixer



92205/1

Afbeelding 15 : Ventielenblok en stroomregelventiel
 Picture 15 : Electrical valves and flow divider

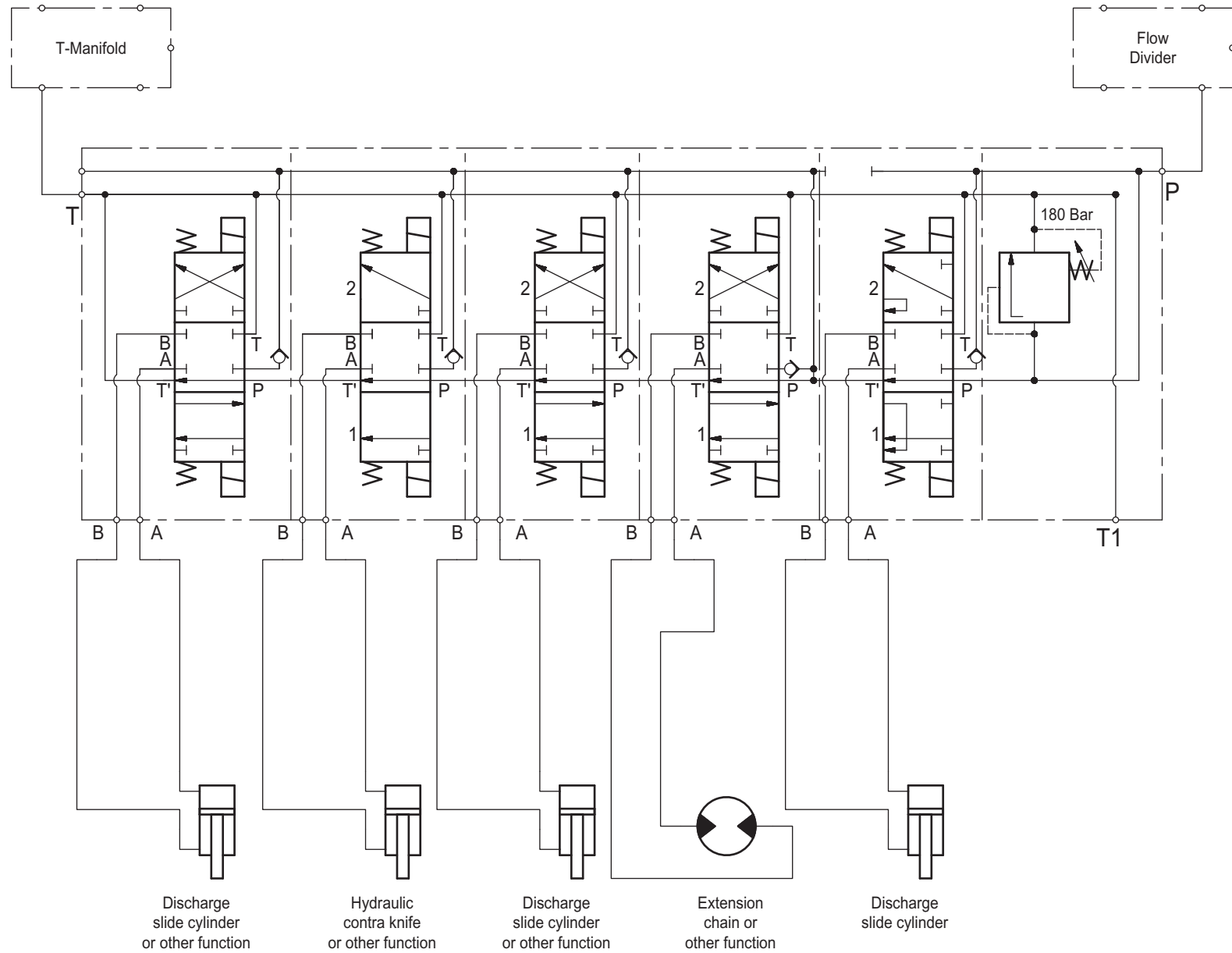


Bestelnummer
 Bestellnummer
 Ordernummer
 Num. a commander

1A	53411	1	Standard HDS15
1B	53511	1	Proportional HDS15
2	29717	1	
3	98201	10	
4	78062	20	Ø18.77x1.78/70
5	05247	6	
6	52284	1	
7	53280	6	
8	53278	1	
9	53277	2	
10	53283	1	
11	98199	1	
12	53512	1	
13	53419	1	
14	53500	1	200 / 240 Bar
15	98147	1	
16	60180	12	
17	84476	3	M5x35
18	85105	3	M5
19	86205	3	M5
20	80826	5	M8x25
21	85108	5	M8
22	86208	5	M8
23	84711	12	M3x35
24	12358	1	
25	80812	2	M8x12

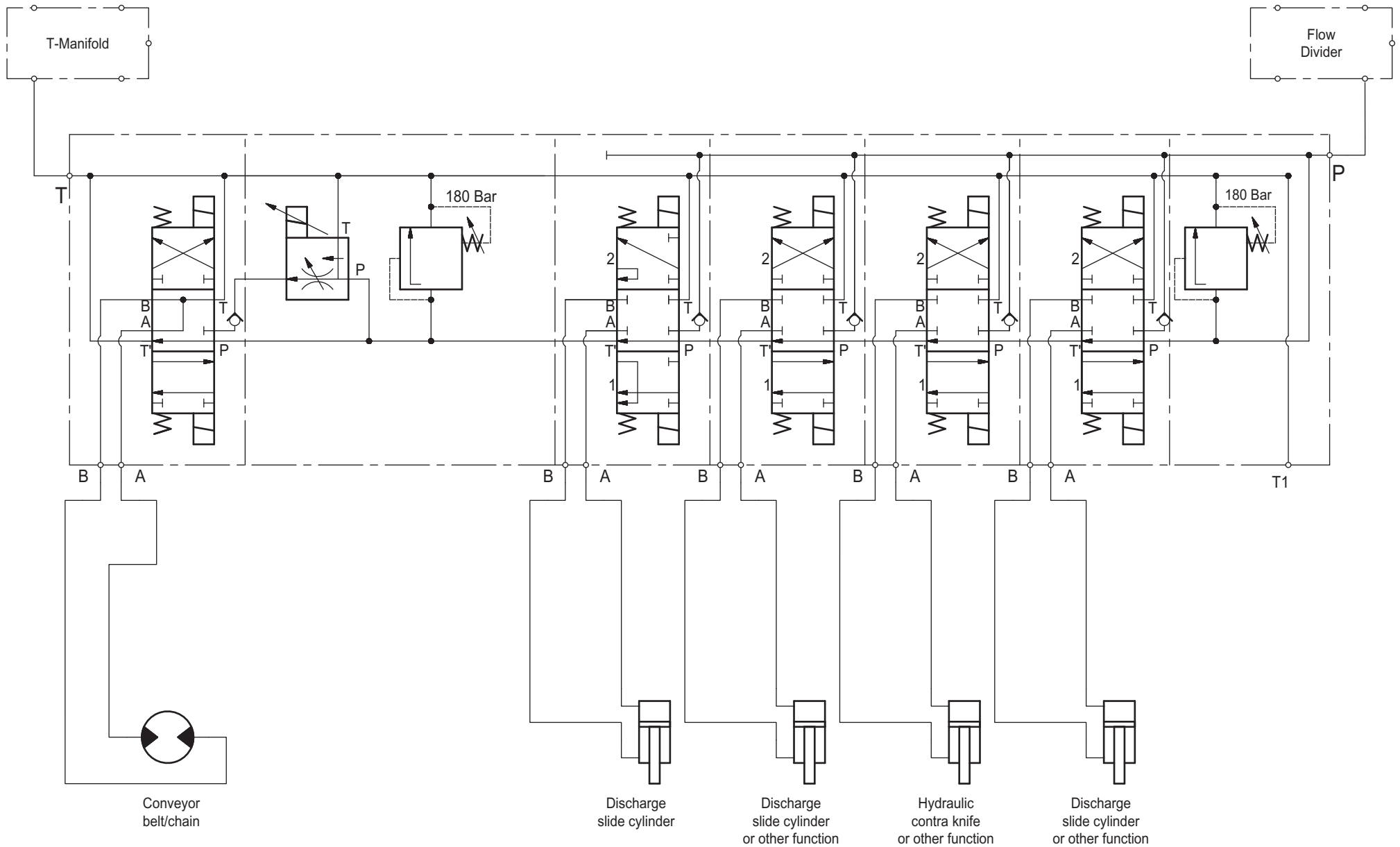
92205/1

Afbeelding 16 : Hydraulisch schema ZK ventielenblok
Picture 16 : Hydraulic scheme ZK valve bank



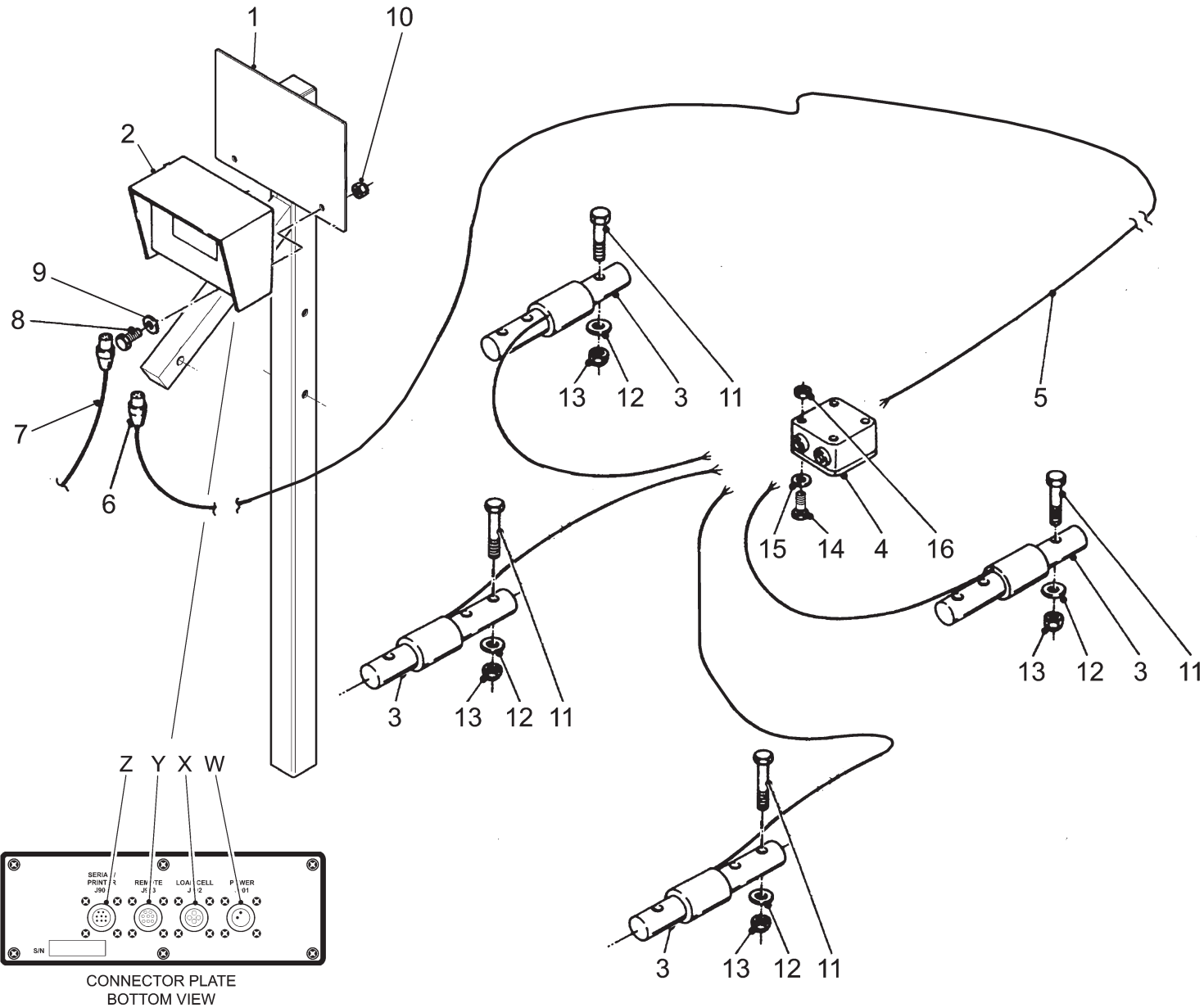
92205/1

Afbeelding 17 : Hydraulisch schema VL ventielenblok (proportioneel)
Picture 17 : Hydraulic scheme VL valve bank (proportional)



92205/1

Afbeelding 18 : Elektronisch weegsystem
 Picture 18 : Electronic weighing system

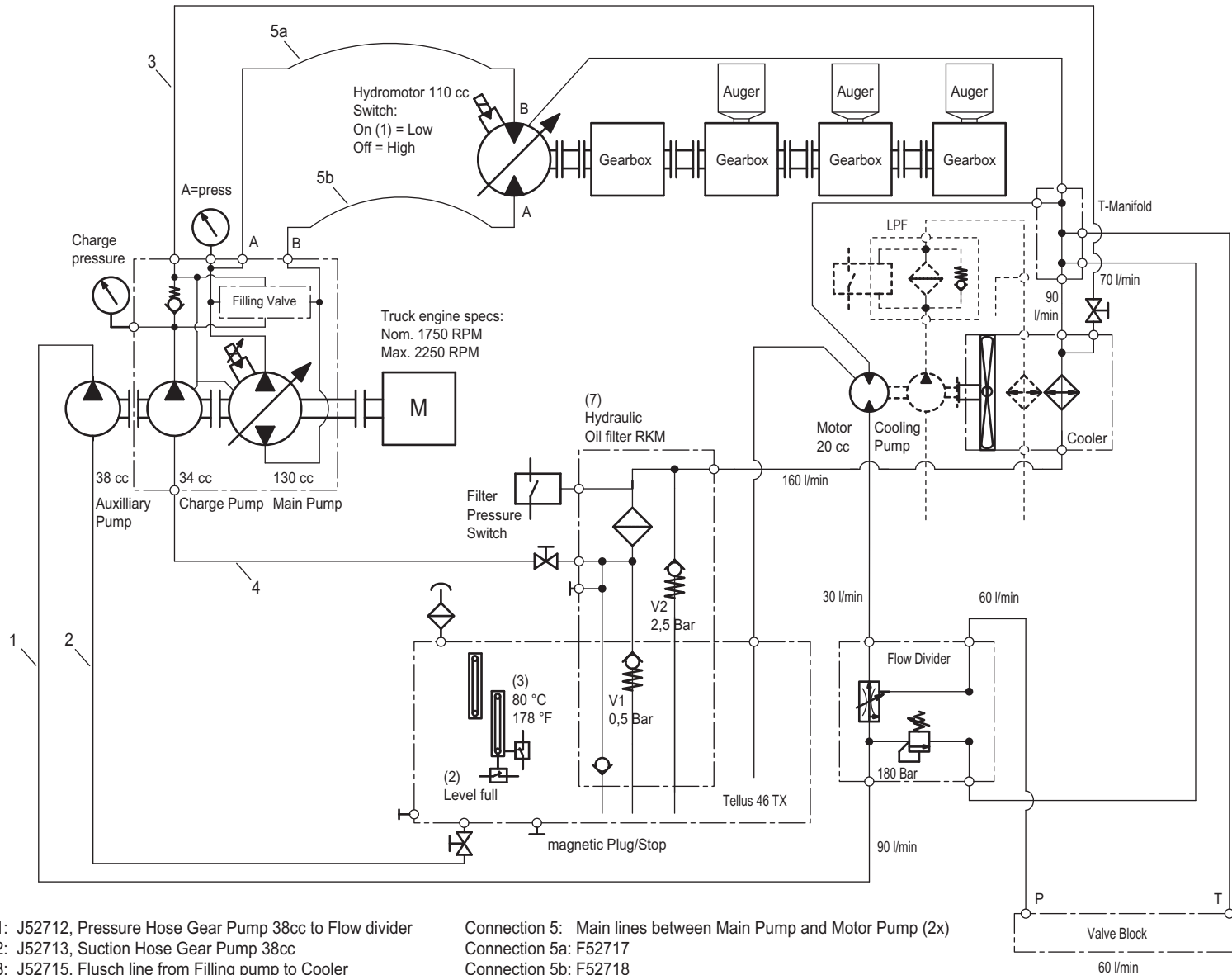


Bestelnummer	Bestellnummer	Ordernummer	Num. a commander
1	13332	1	
2A	94007	1	EZ2000
2B	94075	1	EZ3200
2C	94263	1	EZ3500
3	90447	4	Ø63.5
4	90482	1	Cable + box complete
5	98261	1	L=9.0m
6	98218	1	J902
7	90483	1	
8	80621	2	M6x20
9	85106	2	M6
10	85206	2	M6
11	82013	4	M20x130 12.9
12	85120	4	M20
13	86220	4	M20
14	84445	4	M5x20
15	85105	4	M5
16	86205	4	M5
W	05389	1	J901
X	05390	1	J902
Y	05510	1	J903
Z	05511	1	J904

92205/1

Afbeelding 19A : Hydraulisch schema motor-pomp-tanks, serie 01

Picture 19A : Hydraulic scheme motor-pump-tanks, serie 01



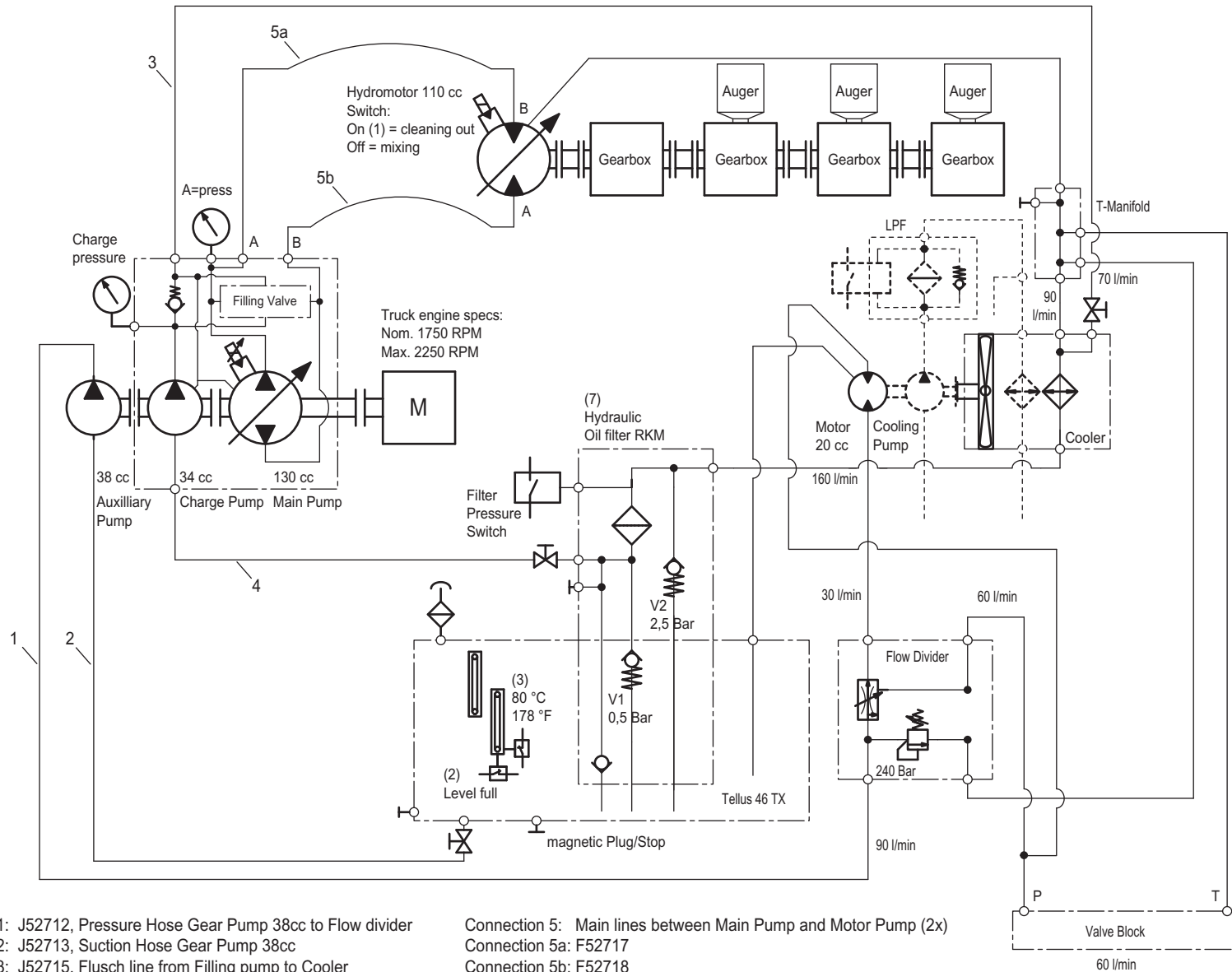
Connection 1: J52712, Pressure Hose Gear Pump 38cc to Flow divider
 Connection 2: J52713, Suction Hose Gear Pump 38cc
 Connection 3: J52715, Flusch line from Filling pump to Cooler
 Connection 4: J52714, Suction line from Filter to Filling Pump

Connection 5: Main lines between Main Pump and Motor Pump (2x)
 Connection 5a: F52717
 Connection 5b: F52718

92205/1

Afbeelding 19B : Hydraulisch schema motor-pomp-tanks, serie 02

Picture 19B : Hydraulic scheme motor-pump-tanks, serie 02

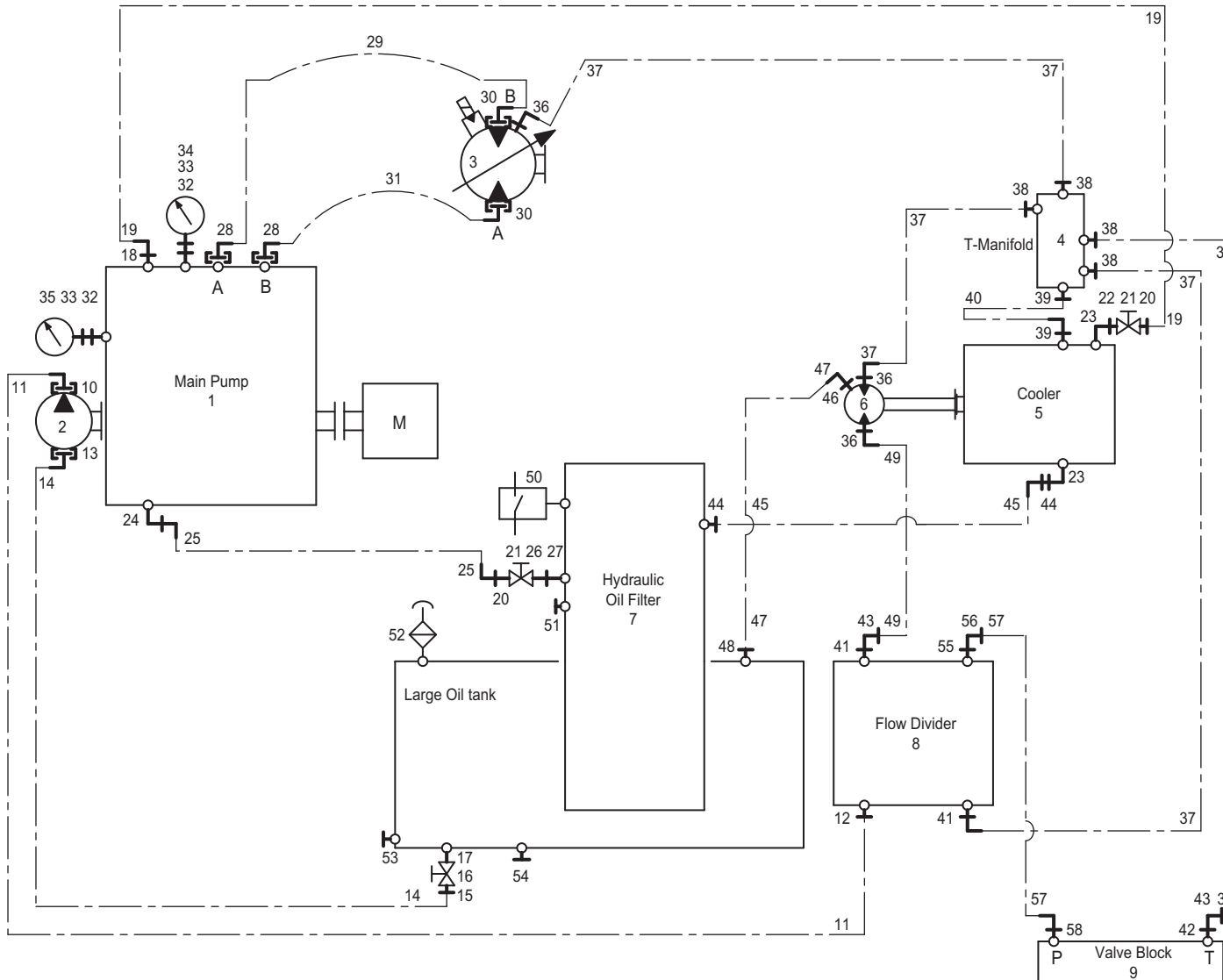


Connection 1: J52712, Pressure Hose Gear Pump 38cc to Flow divider
 Connection 2: J52713, Suction Hose Gear Pump 38cc
 Connection 3: J52715, Flusch line from Filling pump to Cooler
 Connection 4: J52714, Suction line from Filter to Filling Pump

Connection 5: Main lines between Main Pump and Motor Pump (2x)
 Connection 5a: F52717
 Connection 5b: F52718

92205/1

Afbeelding 20A : Slangenschema motor-pomp-tanks, serie 01
 Picture 20A : Hydraulic parts motor-pump-tanks, serie 01

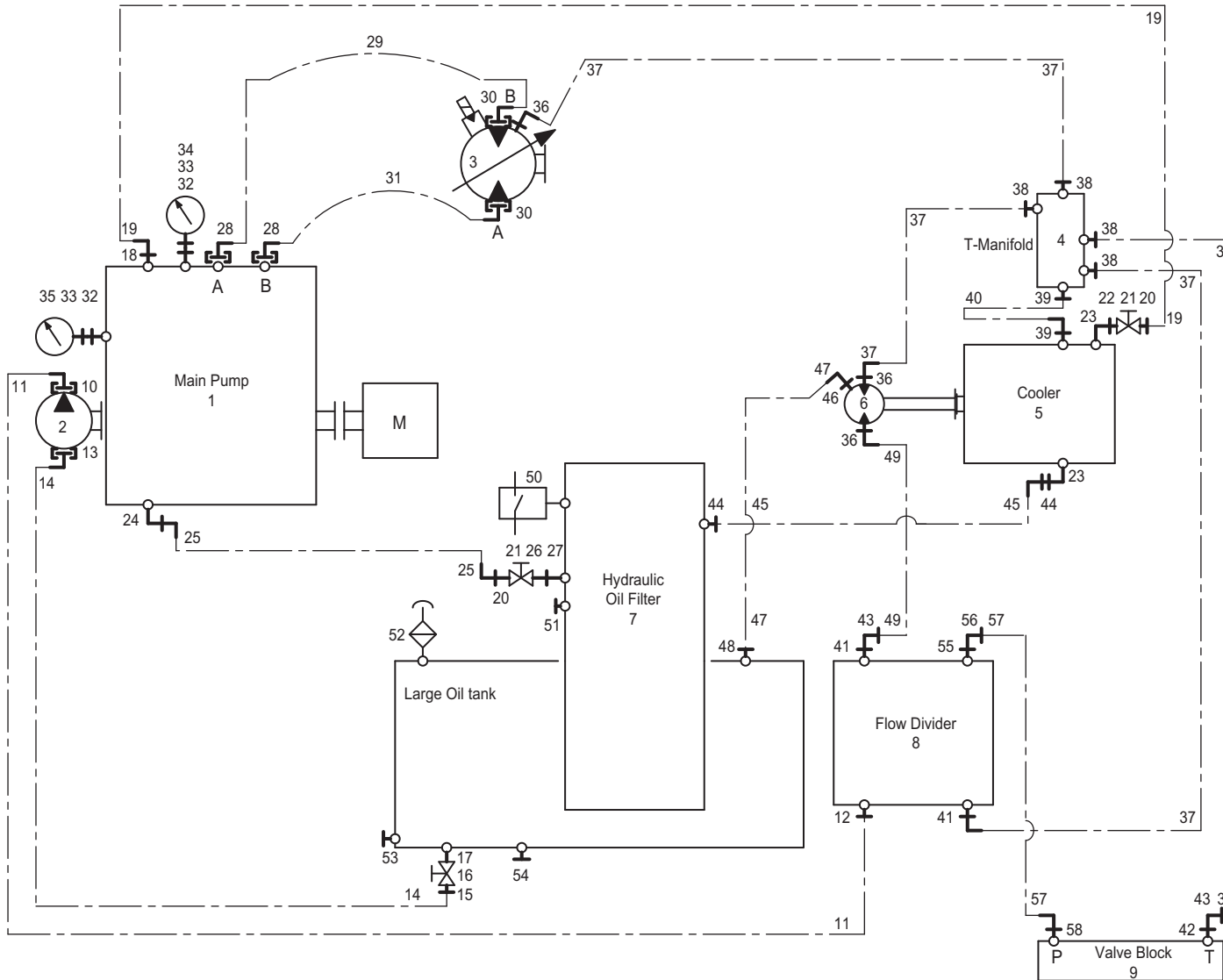


Bestelnummer
 Bestellnummer
 Ordernummer
 Num. a commander

1	53494	1
2	51223	1
3	53493	1
4	13319	1
5	94179	1
6	51226	1
7	94218	1
8	53500	1
9A	53411	1
9B	53511	1
10	50324	2
11	J52712	1 1" 5000HR FJIC
12	50319	1
13	50325	2
14	J52713	1 1 1/4" 5000HR FJIC
15	50321	1
16	50545	1
17	50207	1
18	50322	1
19	J52715	1 1 1/4" 6000HR FJIC
20	50320	2
21	50544	2
22	50572	1
23	50512	2
24	50329	1
25	J52714	1 1 1/4" 5000HH FJIC
26	50318	1
27	50266	1
28	50326	2
29	F52717	1 1 1/4" 5000HH FF 0°
30	50327	2
31	F52718	1 1 1/4" 5000HH FF 180°
32	50455	2
33	50444	2
34	50456	1
35	50454	1
36	X50260	3
37	W52705	4 3/4" 1200RH
38	50257	4
39	50206	2

92205/1

Afbeelding 20A : Slangenschema motor-pomp-tanks, serie 01
Picture 20A : Hydraulic parts motor-pump-tanks, serie 01



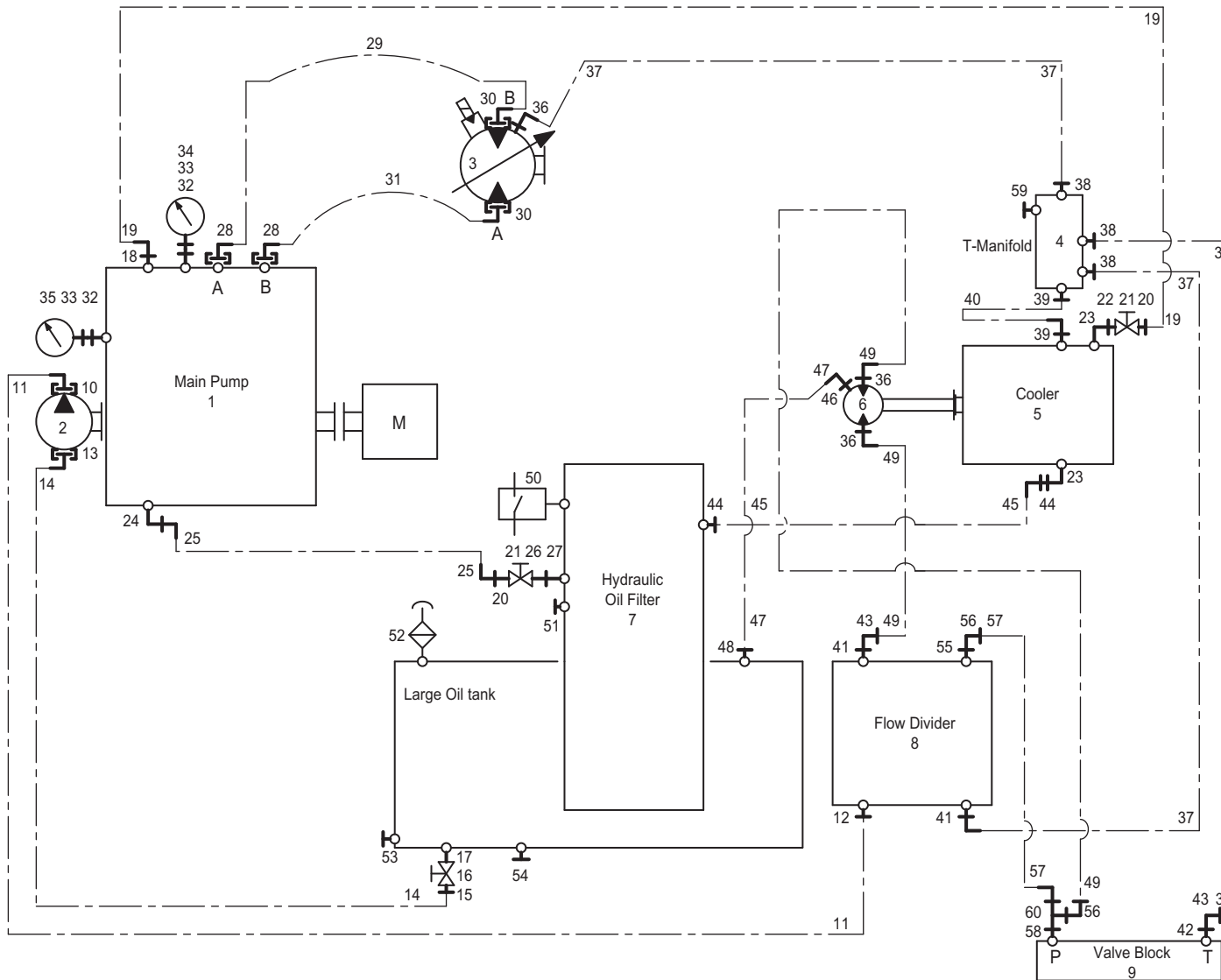
Bestelnummer
Bestellnummer
Ordernummer
Num. a commander

40	B52711	1	1 1/4" 900RH
41	50258	2	
42	50453	1	
43	50452	2	
44	50205	2	
45	B52710	1	1 1/2" 1150RH
46	X50203	1	
47	J52704	1	1/4" 550RH JICUNF
48	50204	1	
49	W52708	1	3/4" 1000RH
50	94177	1	
51	53366	1	
52	90187	1	
53	53368	1	
54	53369	1	
55	50262	1	
56	50418	1	
57	W52709	1	5/8" 700RH
58	X50138	1	

92205/1

Afbeelding 20B : Slangenschema motor-pomp-tanks, serie 02

Picture 20B : Hydraulic parts motor-pump-tanks, serie 02

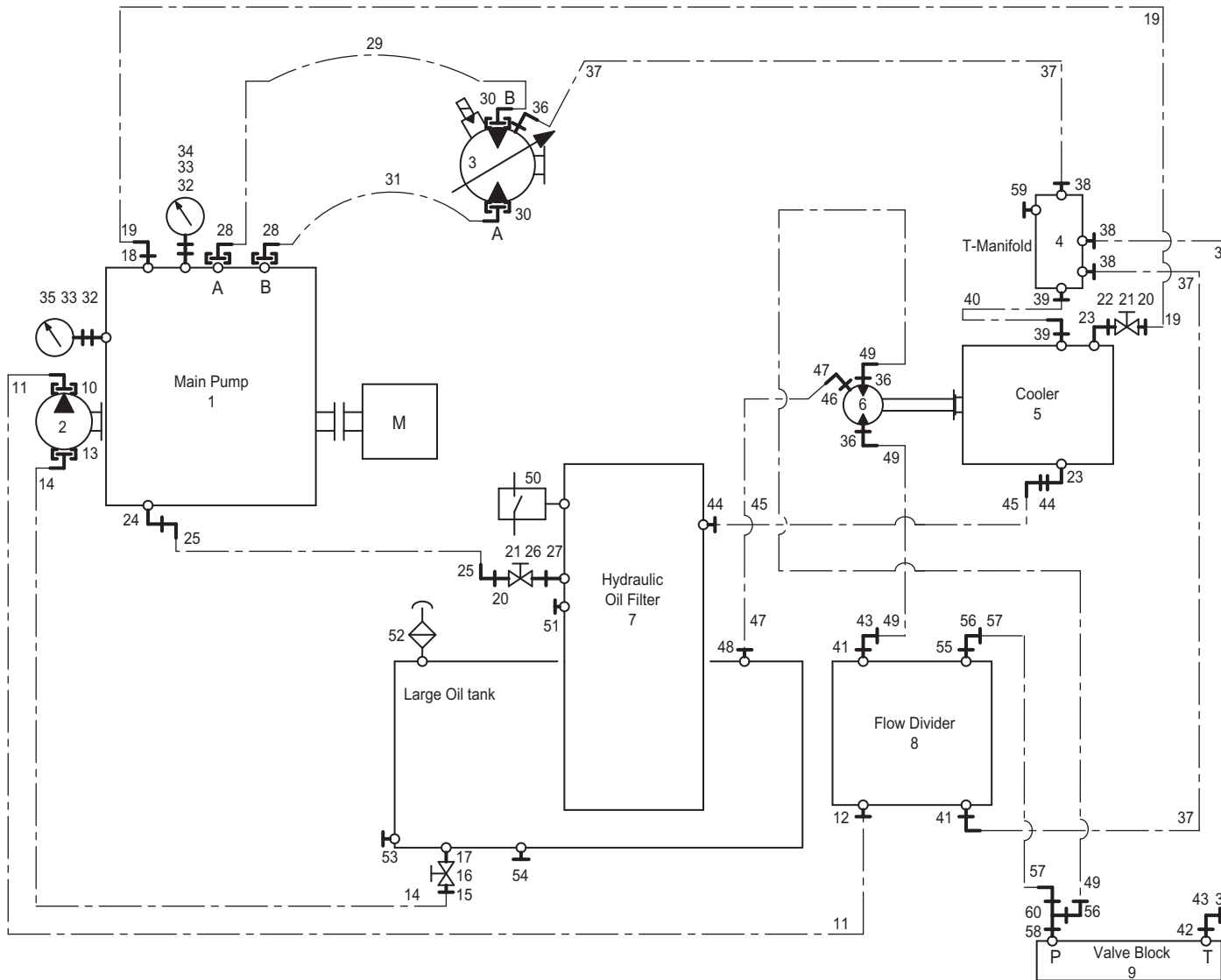


Bestelnummer
Bestellnummer
Ordernummer
Num. a commander

1	53494	1
2	51223	1
3	53493	1
4	13319	1
5	94179	1
6	51226	1
7	94218	1
8	53500	1
9A	53411	1
9B	53511	1
10	50324	2
11	J52712	1 1" 5000HR FJIC
12	50319	1
13	50325	2
14	J52713	1 1 1/4" 5000HR FJIC
15	50321	1
16	50545	1
17	50207	1
18	50322	1
19	J52715	1 1 1/4" 6000HR FJIC
20	50320	2
21	50544	2
22	50572	1
23	50512	2
24	50329	1
25	J52714	1 1 1/4" 5000HH FJIC
26	50318	1
27	50266	1
28	50326	2
29	F52717	1 1 1/4" 5000HH FF 0°
30	50327	2
31	F52718	1 1 1/4" 5000HH FF 180°
32	50455	2
33	50444	2
34	50456	1
35	50454	1
36	X50260	3
37	W52705	3 3/4" 1200RH
38	50257	3
39	50206	2

92205/1

Afbeelding 20B : Slangenschema motor-pomp-tanks, serie 02
 Picture 20B : Hydraulic parts motor-pump-tanks, serie 02



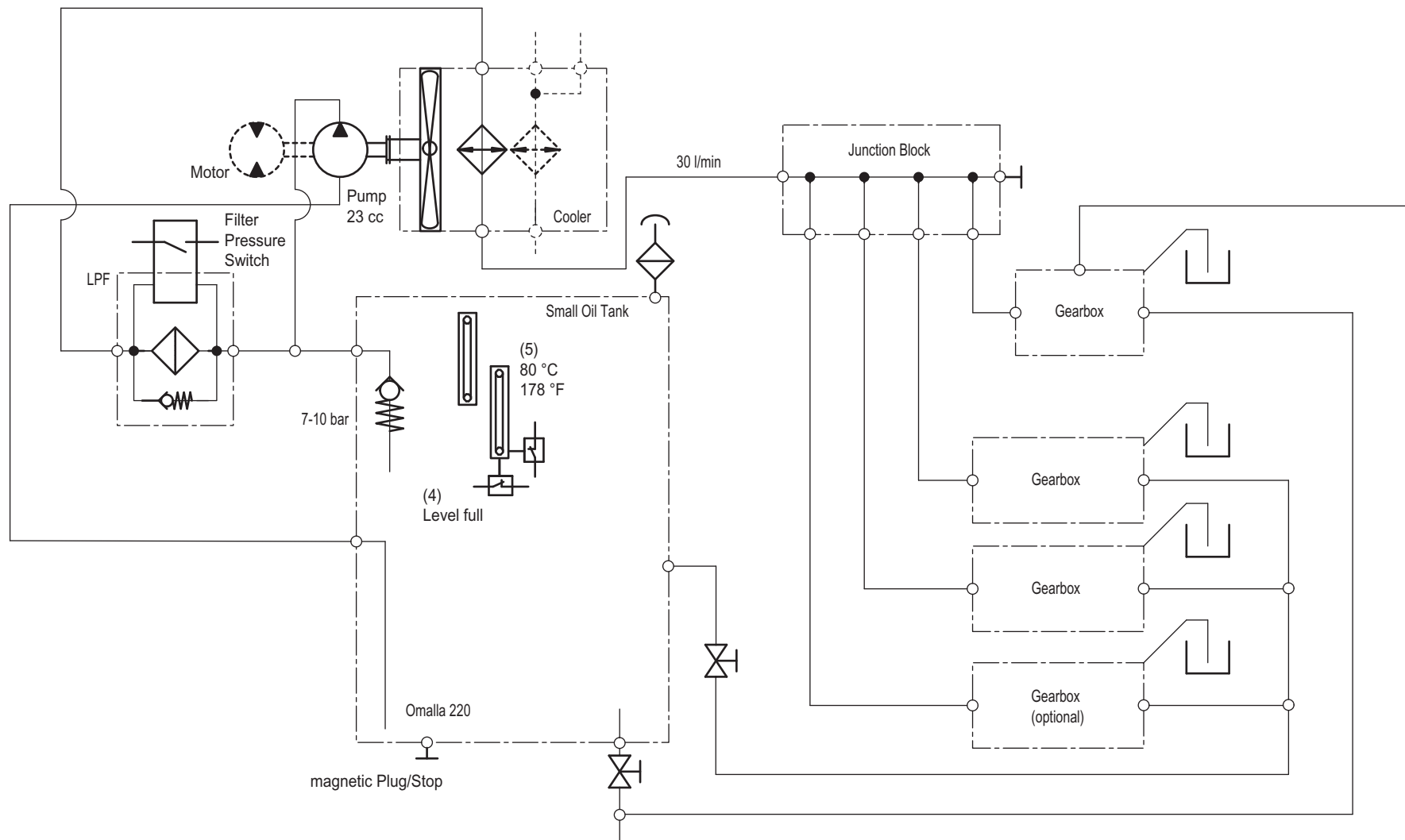
Bestelnummer
 Bestellnummer
 Ordernummer
 Num. a commander

40	B52711	1	1 1/4" 900RH
41	50258	2	
42	50453	1	
43	50452	2	
44	50205	2	
45	B52710	1	1 1/2" 1150RH
46	X50203	1	
47	J52704	1	1/4" 550RH JICUNF
48	50204	1	
49	W52736	2	5/8" 1200RH
50	94177	1	
51	53366	1	
52	90187	1	
53	53368	1	
54	53369	1	
55	50262	1	
56	50418	2	
57	W52709	1	5/8" 700RH
58	X50138	1	
59	53362	1	
60	50312	1	

92205/1

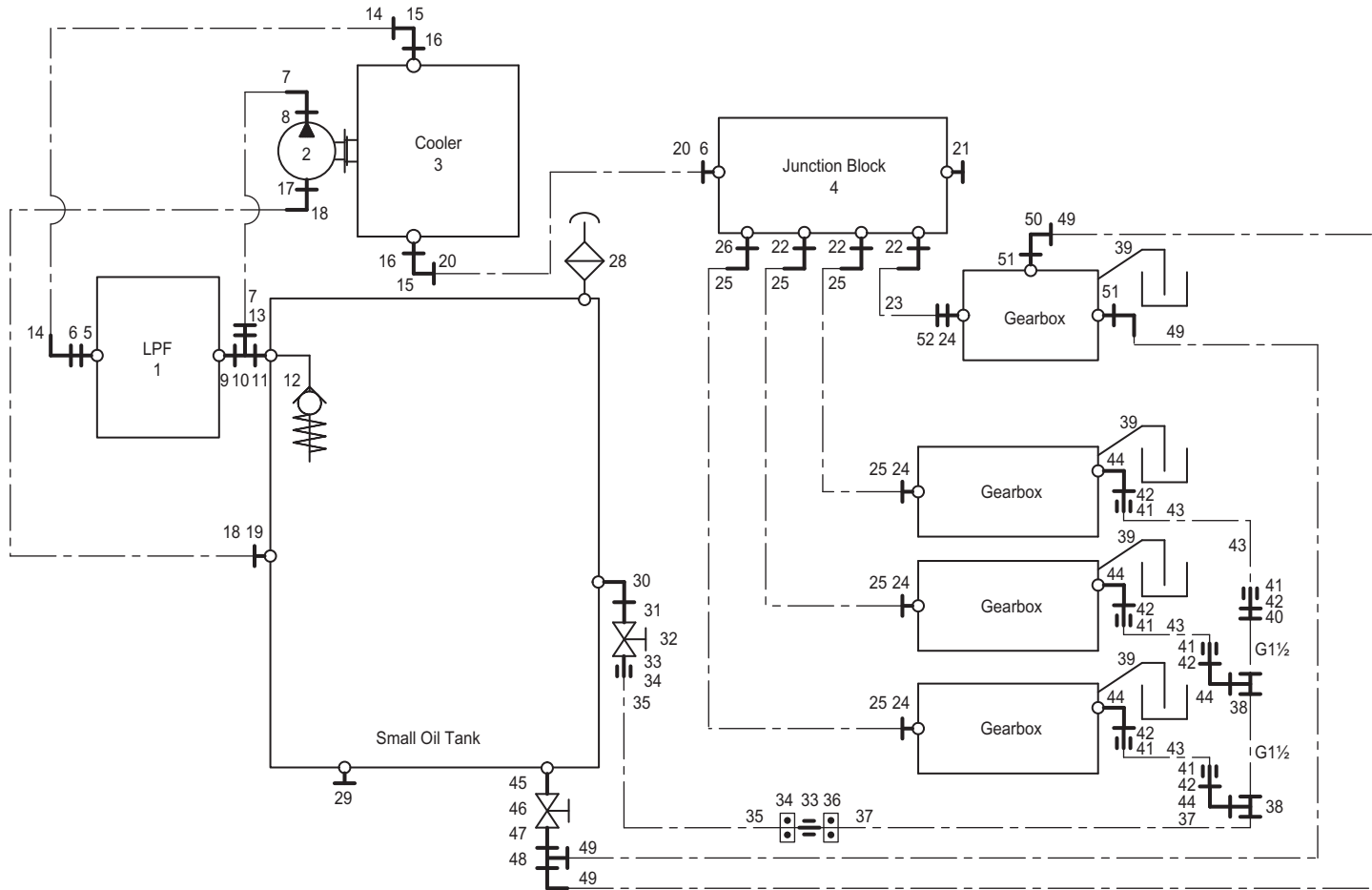
Afbeelding 21 : Hydraulisch schema koeling tandwielkasten

Picture 21 : Hydraulic scheme gearbox cooling system



92205/1

Afbeelding 22 : Slangenschema koeling tandwielkasten
 Picture 22 : Hydraulic parts gearbox cooling system

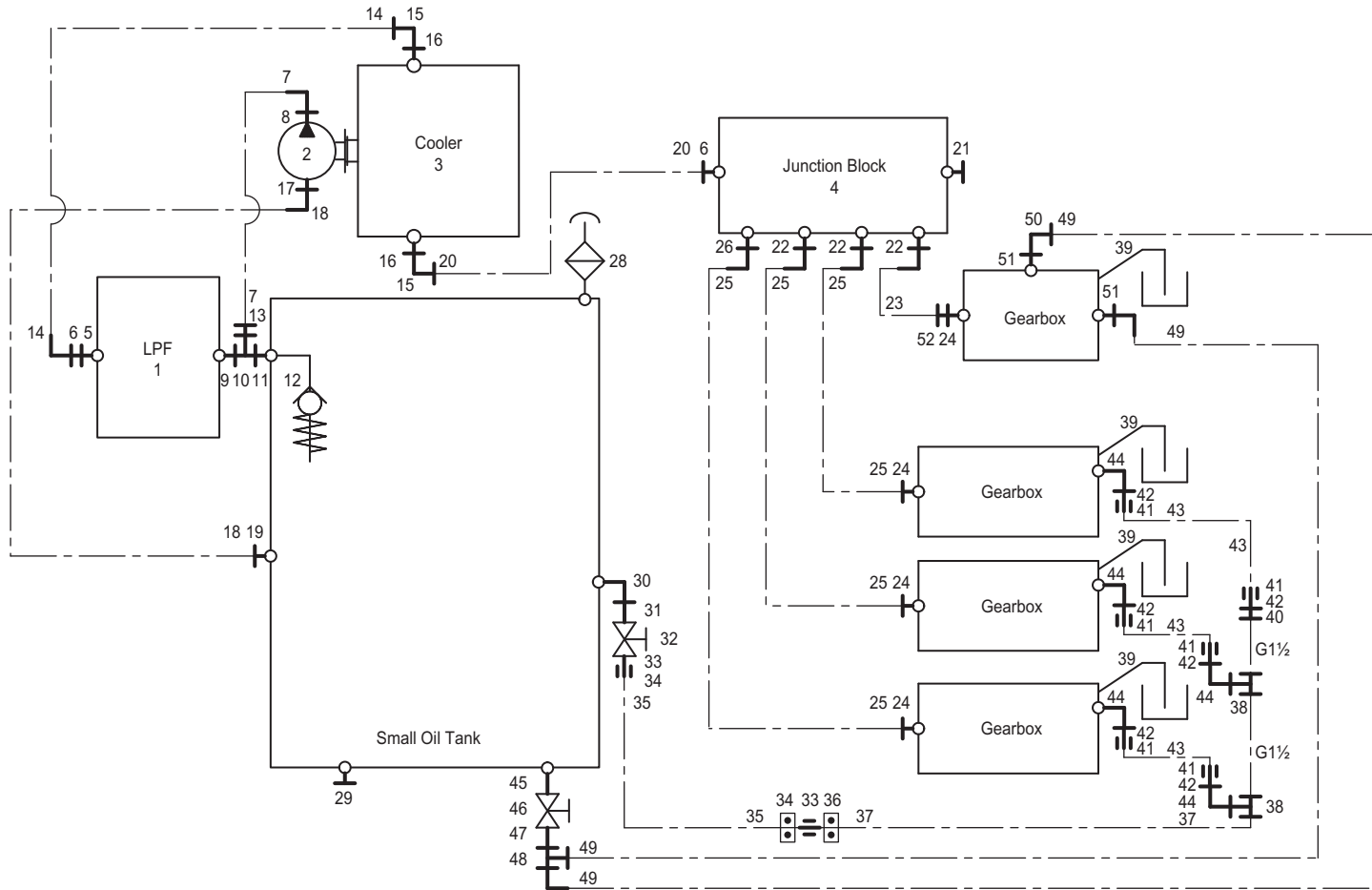


Bestelnummer
 Bestellnummer
 Ordernummer
 Num. a commander

1	94147	1
2	51225	1
3	94180	1
4	32358	1
5	50208	1
6	50257	2
7	W52705	1 3/4" 1200RH
8	X50259	1
9	50318	1
10	50316	1
11	50264	1
12	53499	1
13	50299	1
14	W52720	1 3/4" 1900RH
15	50452	2
16	X50277	2
17	13430	1
18	B52710	1 1 1/2" 1150RH
19	50207	1
20A	W52707	1 3/4" 4500RR ZK/AL
20B	W52731	1 3/4" 5500RR VL
21	53362	1
22	50117	3
23A	W50603	1 1/2" 4500RH ZK/AL
23B	W52732	1 1/2" 5500RH VL
24	X50116	4
25	W50603	3 1/2" 4500RH
26A	53318	1 (2 aug.)
26B	50117	1 (3 aug.)
28	90187	1
29	53369	1
30	50513	1
31	50573	1
32	50545	1
33	53361	2
34	94145	2
35	52695	1 Ø48x5
36	94146	1
37	50538	1
38	50526	2

92205/1

Afbeelding 22 : Slangenschema koeling tandwielkasten
Picture 22 : Hydraulic parts gearbox cooling system

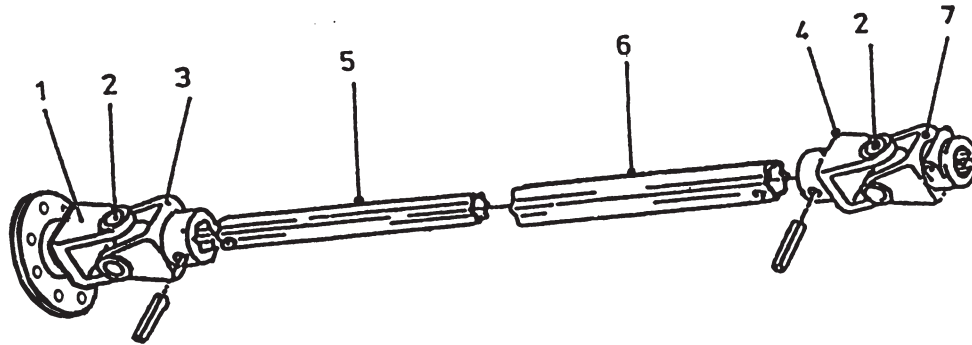
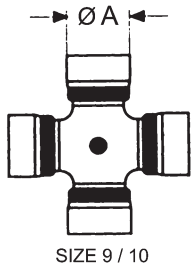


Bestelnummer
Bestellnummer
Ordernummer
Num. a commander

39	52673	4	Red Ø8x1
40	50589	1	
41	94142	6	
42	53359	6	
43	52693	3	Ø35x5
44	50510	5	
45	50570	1	
46	50542	1	
47	50263	1	
48	50312	1	
49	W52709	2	5/8" 700RH
50	50418	1	
51	X50261	2	
52	50190	1	

92205/1

Afbeelding 23 : Aftakassen
 Picture 23 : PTO shafts



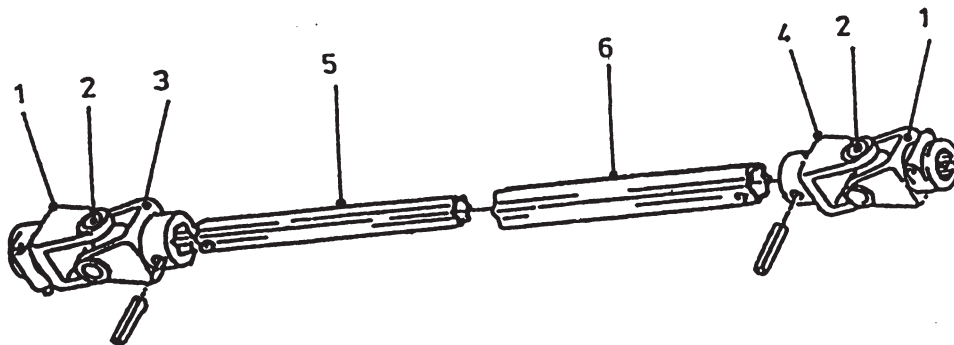
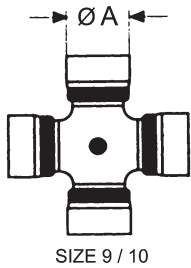
93001L/1

93001LL1/1

Bestelnummer
 Bestellnummer
 Ordernummer
 Num. a commander

94159 3009 L=1800 serie 01

1	94172	1	Flange
2	94214	2	A = Ø35 size 9
3	94216	1	
4	94215	1	
5	90933	1	
6	90934	1	
7	94213	1	1 3/4-20



93002L/2

93002LL1/1

94160 / 94371 3009 / 3010 L=1800

1A	94213	2	1 3/4 - 20 size 9
1B	94424	2	1 3/4 - 20 size 10
2A	94214	2	A = Ø35 size 9
2B	94425	2	A = Ø39.7 size 10
3A	94216	1	size 9
3B	94427	1	size 10
4A	94215	1	size 9
4B	94426	1	size 10
5	90933	1	
6	90934	1	



Hinmanweg 19
7575 BE Oldenzaal - Holland
Postbus 134
7570 AC Oldenzaal - Holland

e-mail: info@trioliet.nl
<http://www.trioliet.nl>

Tel.: 0541 - 57 21 21 / (+) 31 - 541 - 57 21 21
Fax: 0541 - 57 21 25 / (+) 31 - 541 - 57 21 25

Voor onderdelen / Für Ersatzteile / For spare parts / pour pièces de réchange

Tel.: 0541 - 57 21 36 / (+) 31 - 541 - 57 21 36
Fax: 0541 - 57 21 40 / (+) 31 - 541 - 57 21 40