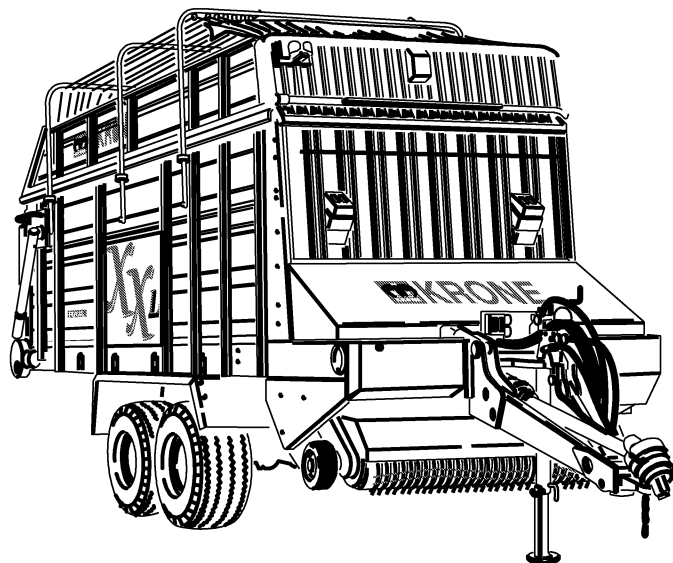




ERSATZTEILE

SPARE PARTS

PIÈCES DETACHEES



000 001 036 01 H - 22/09/2005

4XL/R-GL

XXL/R-GL

ab Masch.-Nr.
from mach.-no.
à partir de mach.-no

434 400 - 486 745

/ 000 001 036 01 H /

Erläuterungen Illustration Illustration

Gültigkeit dieser Tafel
Validity of this diagram
Validité du diagramme

Nr. der Zeichnung, die zu dieser Seite gehört
No. of drawing belonging to this page
No. du dessin appartenant à cette page

Tafel-Nr.
No. of diagram
No. de diagramme

Bennung dieser Tafel
Denomination of this diagram
Dénomination du diagramme

Maschinentypen
Type of machines
Type de machines

Nr. dieser Ersatzteilliste
No. of this spare part list
No. de cette liste des pièces de rechange

| Tragrahmen / Schutze kpl. Frame / Guard cpl. Cadre / Protecteurs cpl. | | | | | | 000 001 084 00 | | |
|---|--------------|-------------------|---------------------|-----------------------|-------------------|-----------------------|-----------|------------|
| | | | | | 585 000 - 597 629 | C D R O M | 444 841 1 | 4.0 |
| Pos. | ID-Nr. | Benennung | Description | Description | Masch.-Nr. | | | |
| 1 | 00 259 671 0 | Tragrahmen links | Frame left | Cadre gauche | 585 000 - 597 629 | x | | |
| | 00 259 627 0 | Tragrahmen rechts | Frame right | Cadre droite | 585 000 - 597 629 | x | | |
| | 00 901 491 0 | 6kt-Schraube | Hex head bolt | Boulon tete hex | 590 000 | x | | M 16 X 130 |
| 3 | 00 909 912 0 | Sperkantscheibe | Detent edged washer | Disque à bord d'arrêt | 597 629 | x | | SKM 16 |

Dieses Ersatzteil ist gültig ab Masch.Nr. 590 000
This spare part is valid from mach. no. 590 000
Cette pièce de rechange est valable à partir de no. de machine 590 000

Dieses Ersatzteil ist gültig von Masch.Nr. 585 000 bis Masch.Nr. 597 629
This spare part is valid from mach. no. 585 000 up to mach. no. 597 629
Cette pièce de rechange est valable à partir de no. de machine 585 000 jusqu'au no. 597 629

Dieses Ersatzteil ist gültig bis Masch.Nr. 597 629
This spare part is valid up to mach. no. 597 629
Cette pièce de rechange est valable jusqu'au no. de machine 597 629

Bestell-Nr.
Order no.
No. de commande

Position des Ersatzteiles in der Zeichnung
Position of spare part in the drawing
Position de la pièce de rechange au dessin

**Ersatzteil-Katalog auch
auf CD-ROM erhältlich!**
**Spare parts list also
available as CD-ROM!**
**Catalogue de pièces de rechange
également disponible sur CD-ROM!**

Anzahl Teile je Typ

X = nach Bedarf
Kein Eintrag = Keine Verwendung für diesen Typ

Quantity of parts for each type

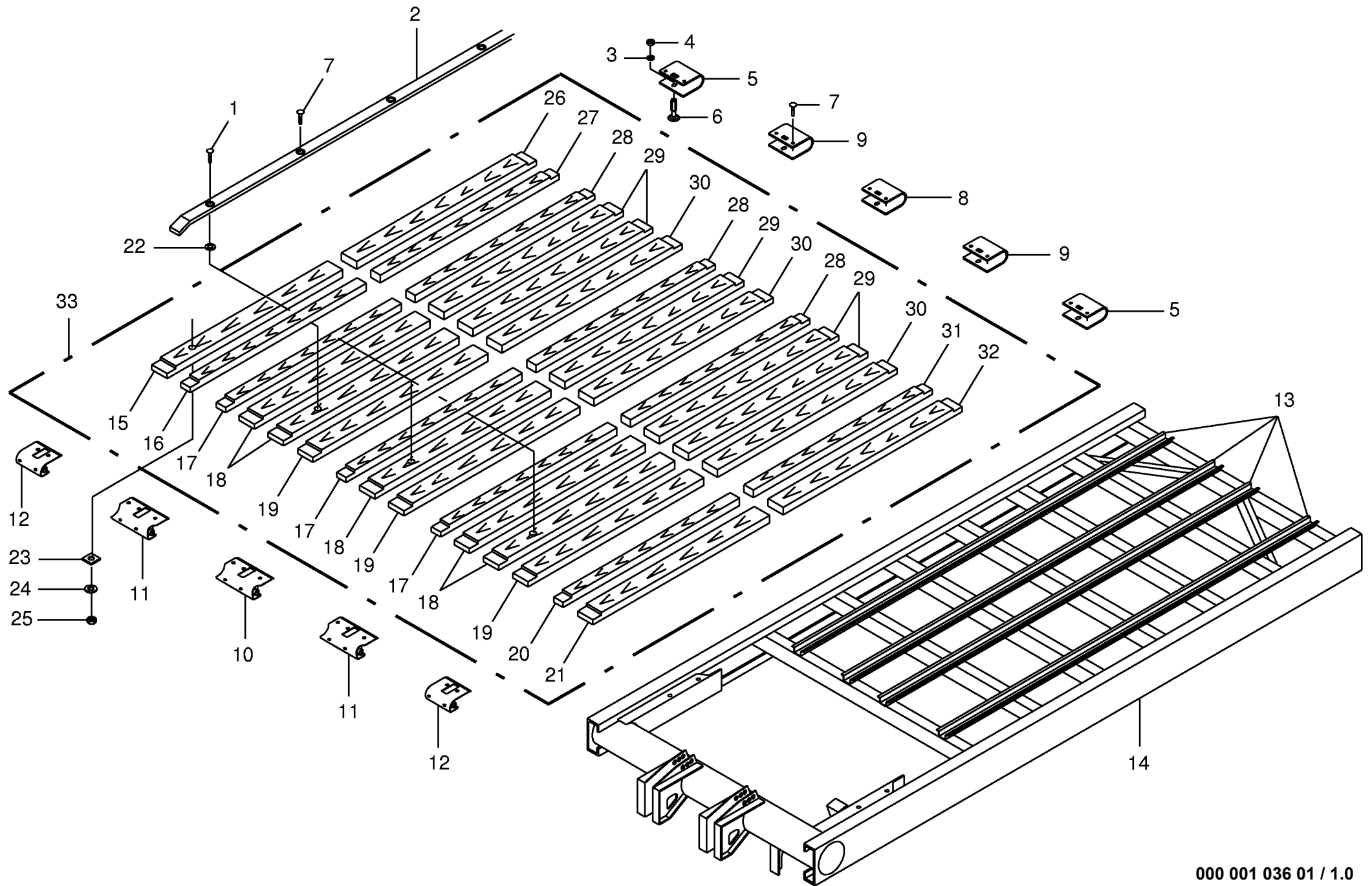
X = as needed
No entry = No use for this type

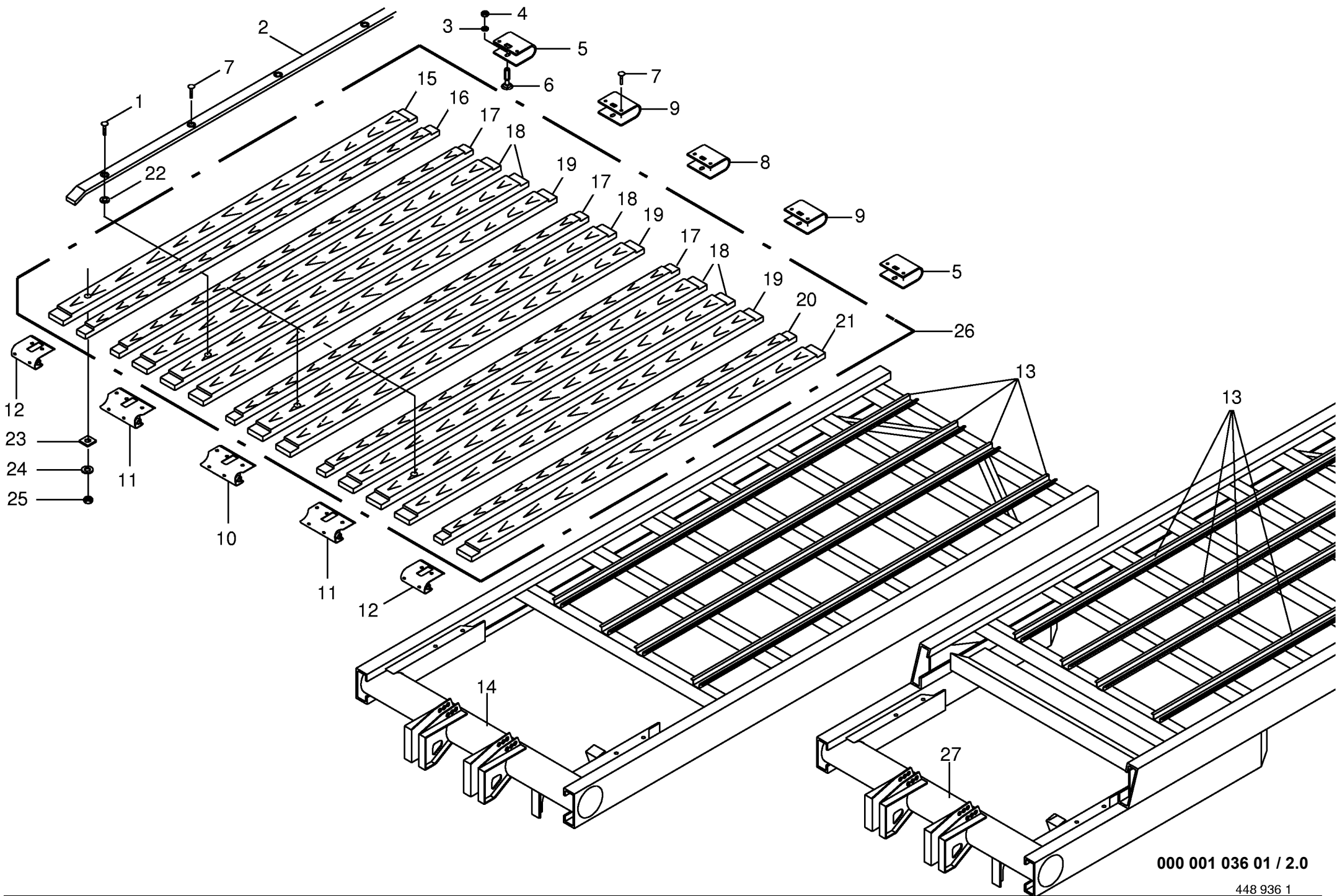
Quantité de pièces de chaque type

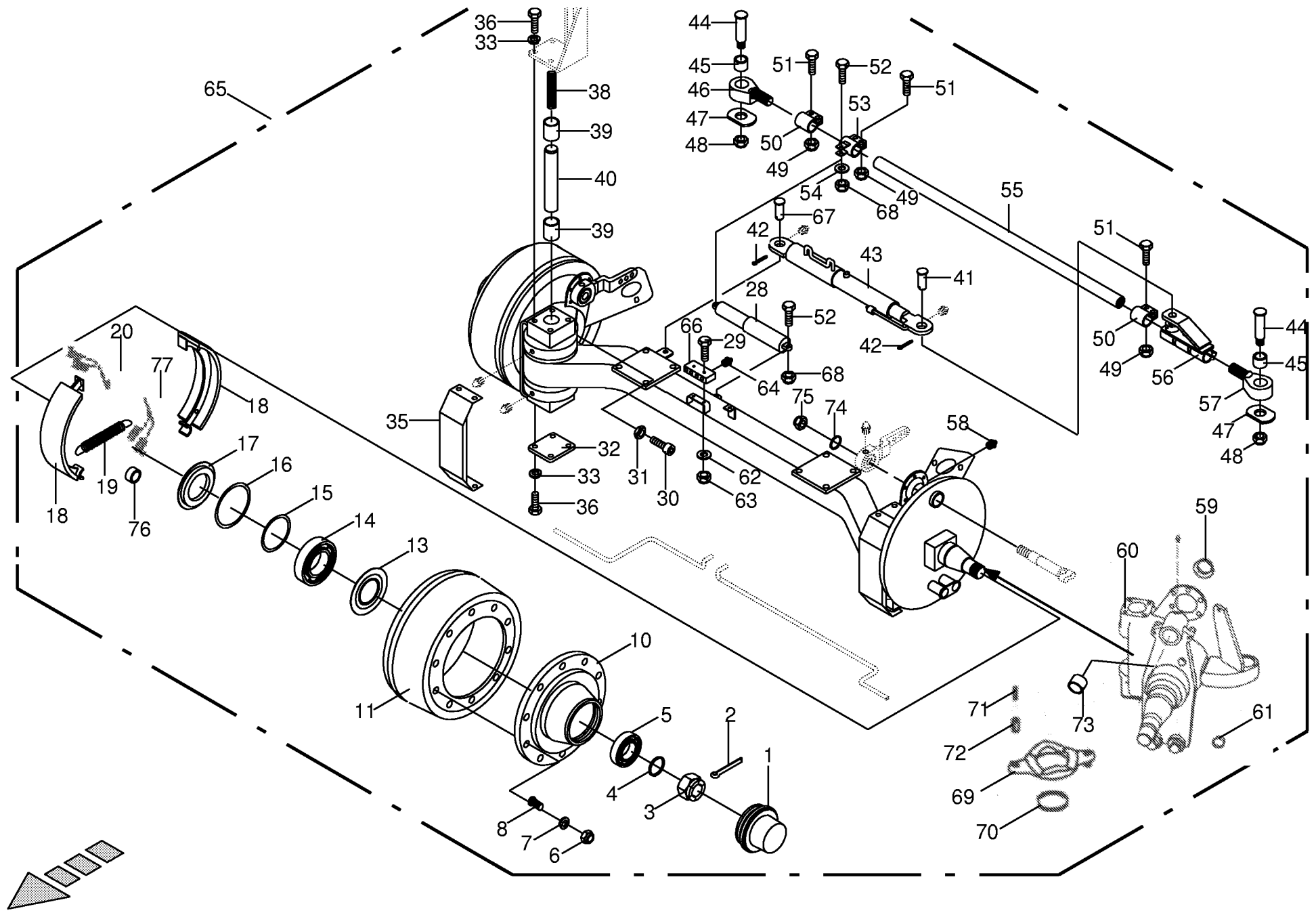
X = selon besion
Aucune inscription = Pa d'utilisation pour ce type

| INHALTSVERZEICHNIS | TABLE OF CONTENTS | TABLE DES MATIERES | TAFEL DIAGRAM DIAGRAMME |
|--|--|--|-------------------------------|
| Rahmen und Holzboden | Frame and floor | Cadre et plancher en bois | 1.0 |
| Rahmen und Holzboden | Frame and floor | Cadre et plancher en bois | 2.0 |
| Bremsachse hinten - Boogie - 18to | Brake axle back | Essieu arriere | 2.1 |
| Kratzboden | Conveying floor | Fond mouvant | 3.0 |
| Hydraulischer Vorschub | Hydraulic assistance | Avance hydraulique | 4.0 |
| Kegelradgetriebe kpl. | Gearbox cpl. | Carter cpl. | 5.0 |
| Tandemaaggregat, ungelenkt | Tandem axle assy | Collection essieu tandem | 6.0 |
| Bremsachse kpl. | Brake axle cpl. | Essieu cpl. | 7.0 |
| Bremsachse kpl. m.ABS | Brake axle cpl. | Essieu cpl. | 8.0 |
| Bremsanlage m. ABS ,24 Volt | Reake system | Système de freinage | 9.0 |
| Bremsachse kpl. | Brake axle cpl. | Essieu cpl. | 10.0 |
| Tandemaggregat - Boogie - 18to | Tandem axle assy | Collection essieu tandem | 11.0 |
| Bremsachse vorne - Boogie - 18to | Brake axle front | Essieu avant | 11.1 |
| Bremsachse hinten - Boogie - 18to | Brake axle back | Essieu arriere | 11.2 |
| Tandemaggregat - Boogie - 16to | Tandem axle assy | Collection essieu tandem | 11.3 |
| Bremsachse vorne - Boogie - 16to | Brake axle front | Essieu avant | 11.4 |
| Bremsachse hinten - Boogie - 16to | Brake axle back | Essieu arriere | 11.5 |
| Hydraulische Bremse - Tandemachse | Hydraulic brakes | Frein hydraulique | 12.0 |
| Hydraulische Blockierung Lenkachse | Hydraulic locking facility steering axle | Verrouillage hydraul. essieu directeur | 13.0 |
| Druckluftbremsanlage(Kupplung-Achsaggr.) | Air pressure brake fitting | Frein pneumatique | 14.0 |
| Druckluftbremsanlage (Bremsv.-Rahmen) | Air pressure brake fitting | Frein pneumatique | 15.0 |
| Druckluftbremsanlage | Air pressure brake fitting | Frein pneumatique | 16.0 |
| Druckluftbremsanlage - Boogie-Lenkachse | Air pressure brake fitting | Frein pneumatique | 17.0 |
| Druckluftbremsanlage (Bremsv.-Kessel) | Air pressure brake fitting | Frein pneumatique | 18.0 |
| Druckluftbremsanlage(Bremsv.-Kessel) | Air pressure brake fitting | Frein pneumatique | 19.0 |
| Bereifung | Tyres | Pneumatiques | 20.0 |
| Kotflügel | Mudguard | Aile | 21.0 |
| Kotflügel | Mudguard | Aile | 22.0 |
| Deichsel Hitch | Drawbar hitch | Timon hitch | 23.0 |
| Zuggabel m. geschr. Zugöse | Drawbar | Chape d attelage | 24.0 |
| Stützfuß | Supporting foot | Béquille | 25.0 |
| Pick-up kpl. - mit Zubehör | Pick-up cpl. | Pick-up cpl. | 26.0 |
| Pick-up | Pick-up | Pick-up | 27.0 |
| Pick-up-Aufhängung | Pick-up suspension | Suspension du pick-up | 28.0 |
| Hydraulik Pick-up | Hydraulic pick-up lift | Relevage hydraulique du pick-up | 29.0 |
| Stützrad seitlich (Luftbereifung) | Lateral supporting wheel (pneumatic) | Roue support latéral (à pneu) | 30.0 |
| Stützrad hinten (Stahl) | Supporting wheel back | Roue avant | 31.0 |
| Stützrad hinten (Stahl) | Supporting wheel back | Roue avant | 31.1 |
| Fördertrommel | Feed drum | Tambour de convoyage | 32.0 |
| Förderkanal | Conveyor channel | Canal d'alimentation | 33.0 |

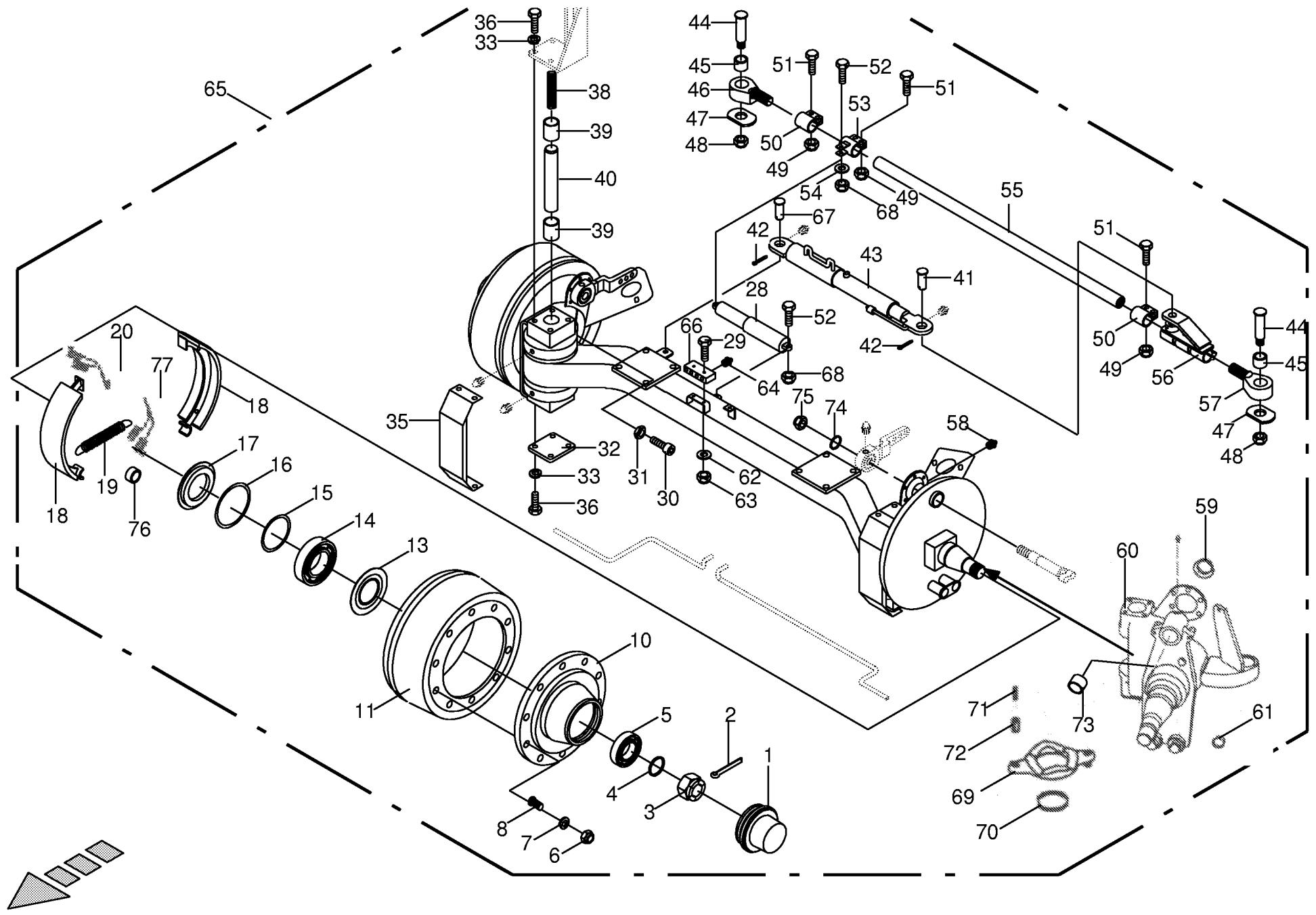
| INHALTSVERZEICHNIS | TABLE OF CONTENTS | TABLE DES MATIERES | TAFEL DIAGRAM DIAGRAMME |
|--|---|---|-------------------------------|
| Getriebe (Schneidwalze) Schneidwerk Hydraulik Schneidwerk Getriebe vorne | Gearbox Cutting mechanism Hydraulic cutting mechanism Gearbox front | Carter Dispositif de coupe Système hydraulique de coupe Carter avant | 34.0 35.0 36.0 37.0 |
| Getriebe vorne Schutze Aufbau unten Aufbau unten | Gearbox front Guard Superstructure bottom Superstructure bottom | Carter avant Protecteurs Ridelles Ridelles | 38.0 39.0 40.0 41.0 |
| Einstiegluke Aufbau oben Aufbau oben Ladeautomatik für Kratzboden | Inspection door assembled Super structure (Above) Super structure (Above) Automatic scraper floor control | Trappe d'acces monte' Parois superieures de la caisse Parois superieures de la caisse Commande automat. fond mouvant | 42.0 43.0 44.0 45.0 |
| Plane Rückwand Hydraulik/Rückwand Elektronische Komfortbedienung (Lad.) | Tarpaulin Rear panel Hydraulics Electric comfort control unit | Bâche Porte arriere complete Système hydraulique Commande électrique confort | 46.0 47.0 48.0 49.0 |
| Elektronische Standardbedienung Beleuchtung Beleuchtung Beleuchtung | Electric standard-control Lighting Lighting Lighting | Commande électrique standard Installation d'éclairage Installation d'éclairage Installation d'éclairage | 50.0 51.0 51.1 52.0 |
| Kabelbaum 3 Kabelbaum 6 Steuerblock Standard - Bedienung Steuerblock Komford - Bedienung | Wiring harness Wiring Harness Control bloc Control bloc confort - control | Faisceau électrique Faisceau électrique Bloc de commande Bloc de commande confort - comande | 53.0 54.0 55.0 56.0 |
| Hydraulik für Standard-Bedienung Hydraulik für Komfort-Bedienung Zubehör - Load-Sensing-Anschluß Gelenkwelle WWE 2480-SC 25-EK 64/2R-1500 | Hydraulic for standard-control Hydraulic for confort-control Accessories - Load-Sensing-connection P.T.O. shafts | Hydraulique avec standard-commande Hydraulique avec confort-commande Accessoires - Load-Sensing-raccordement Arbre à cardans | 57.0 58.0 58.1 59.0 |
| Sicherheitsaufkleber Hinweisaufkleber | Warning signs General information labels | Plaque indicatrices de securite Plaque indicatrices generales | 60.0 61.0 |
| | | | |
| | | | |

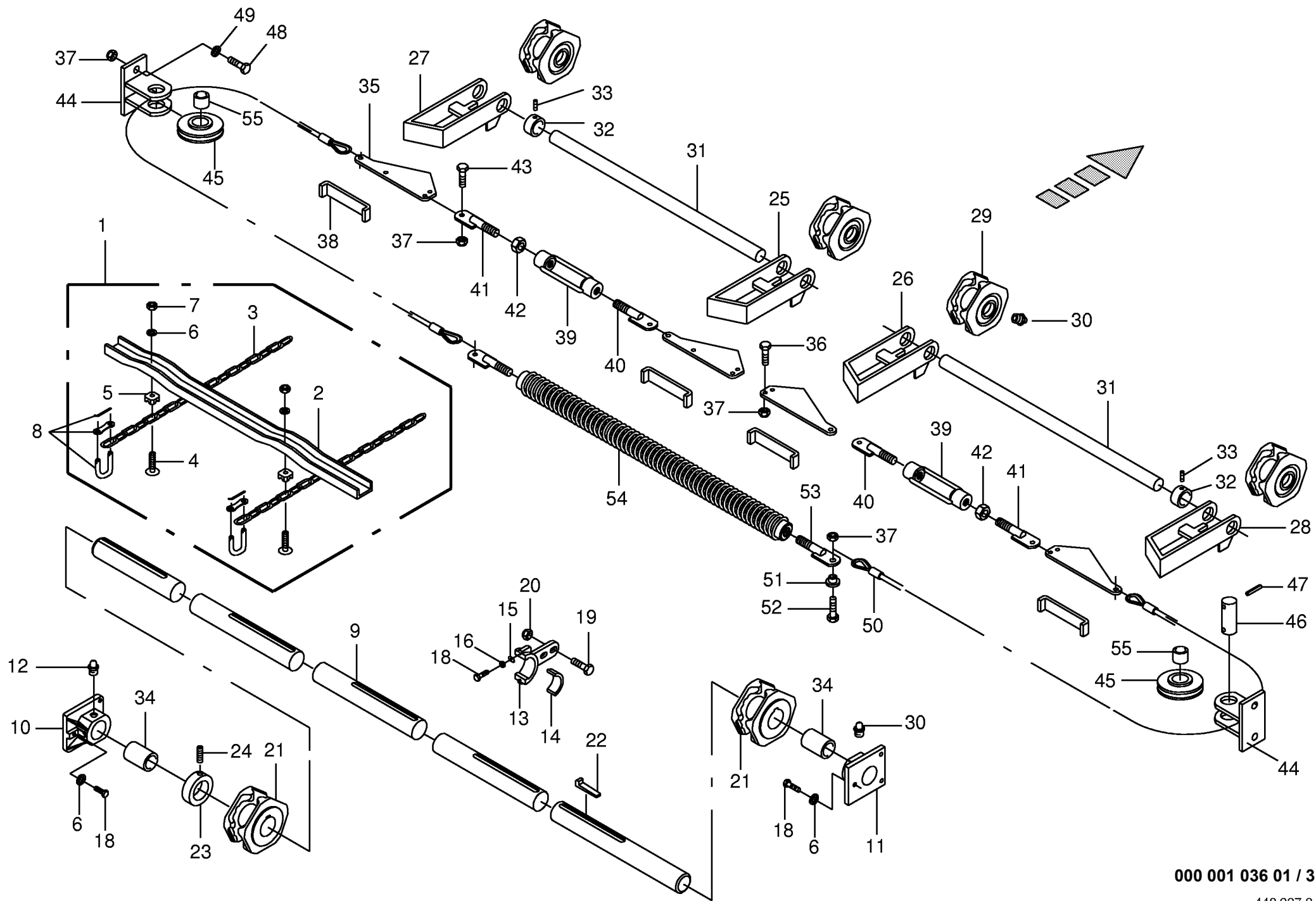




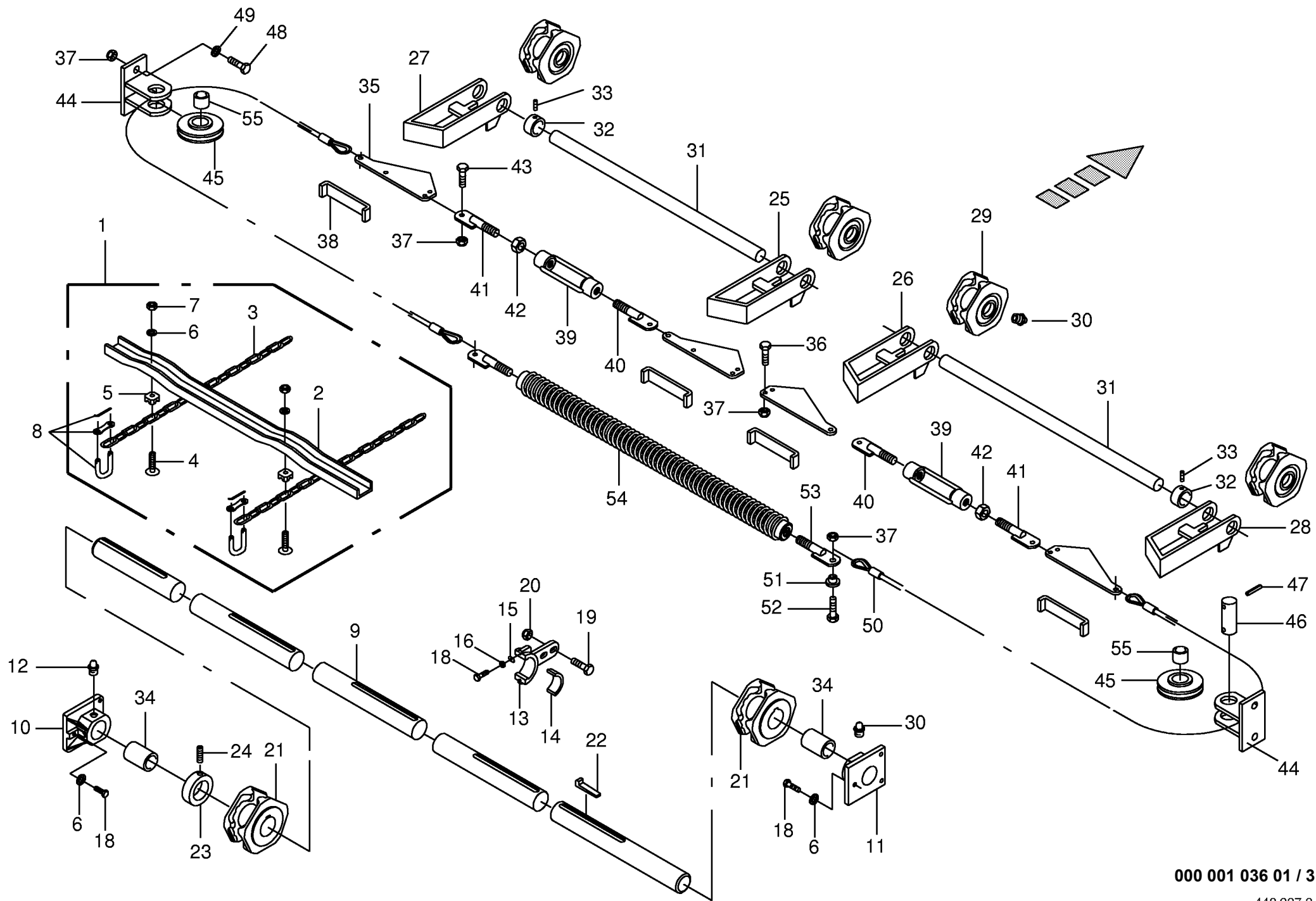


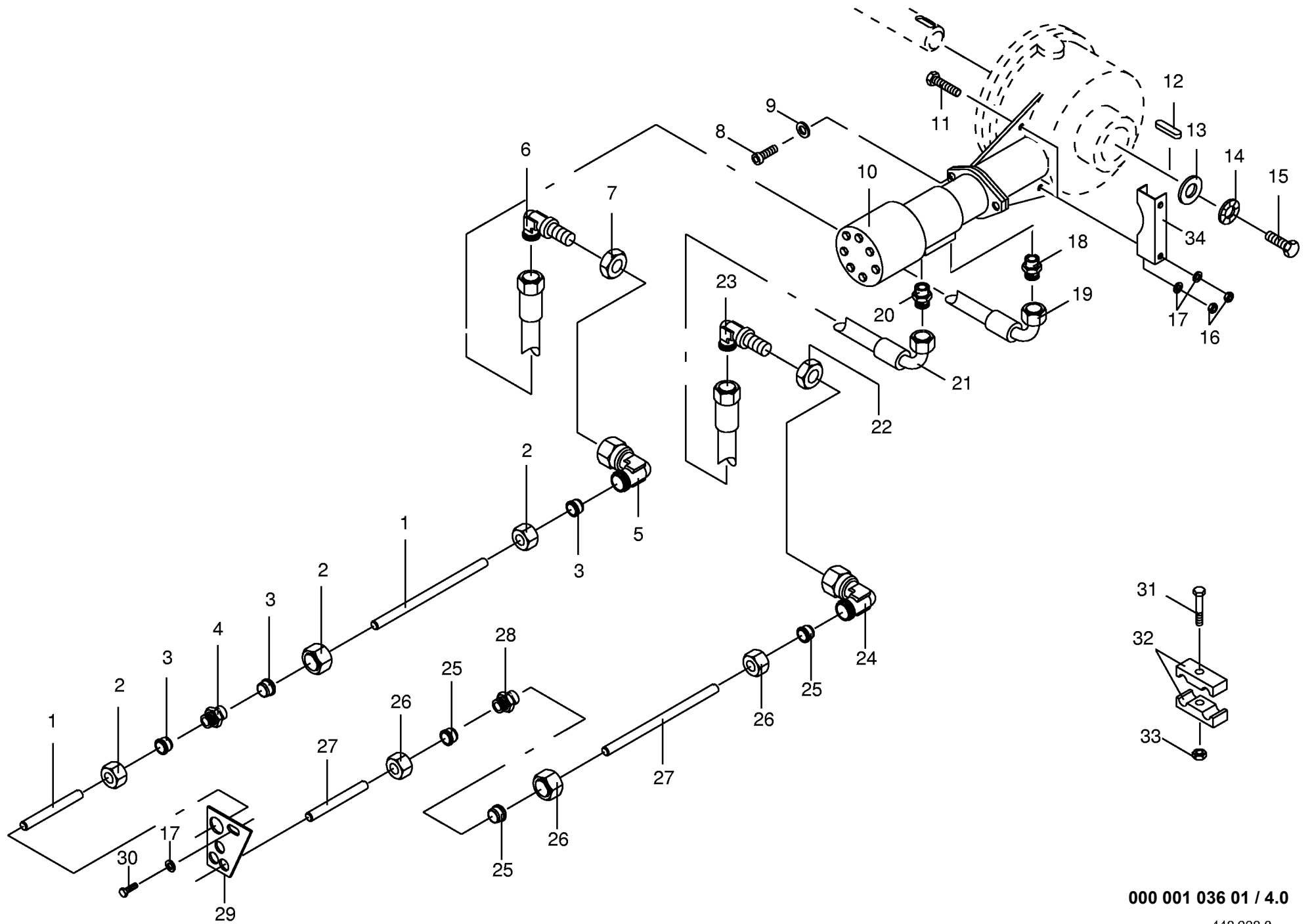
| Bremsachse hinten - Boogie - 18to | | | | | 516001 - 486745 | 4 X L / R - G L | X L / R - G L | | | | 000 001 036 01 | |
|-----------------------------------|--------------|---------------------------|----------------------|-------------------------------|-----------------|--------------------------------------|---------------------------------|--|--|--|----------------------------|-----|
| Brake axle back | | | | | | | | | | | 449 585 1 | 2.1 |
| Essieu arriere | | | | | Masch.-Nr- | | | | | | Bemerkung/Remarks/Remarque | |
| Pos. | ID-Nr. | Benennung | Description | Description | | | | | | | | |
| 1 | 00 953 858 0 | Radkappe | Wheel cap | Chapeau de roue | | x | x | | | | | |
| 2 | 00 912 136 1 | Splint | Cotter pin | Goupille fendue | | x | x | | | | 8 X 90 | |
| 3 | 00 908 807 0 | Kronenmutter | Castellated nut | Ecrou crenele plat | | x | x | | | | M 45 X 3,0 | |
| 4 | 00 910 324 0 | Scheibe | Washer | Rondelle | | x | x | | | | 43 X 78 X 7 | |
| 5 | 00 932 145 0 | Kegelrollenlager | Taper roller bearing | Roulement à rouleaux coniques | | x | x | | | | 32 310 | |
| 6 | 00 910 235 0 | Radmutter | Nut | Ecrou de roue | | x | x | | | | B 22 X 1,5 | |
| 7 | 00 910 217 0 | Federring | Spring washer | Rondelle elastique | | x | x | | | | C 22,5 | |
| 8 | 00 952 900 0 | Riffelbolzen | Wheel pin | Boulon de fix.de roue | | x | x | | | | M 22 X 1,5 X 80 | |
| 10 | 00 952 963 0 | Radnabe | Hub f. axle | Moyeu de roue | | x | x | | | | | |
| 11 | 00 952 921 0 | Bremstrommel | Brake drum | Moyeu tambour | | x | x | | | | 410 X 120 Geteilt | |
| 13 | 00 952 073 0 | Abdeckblech | Cover plate | TÔle de recouvrement | | x | x | | | | Rd 84/129 X 8,5 | |
| 14 | 00 932 184 0 | Kegelrollenlager | Tap. roll. bearing | Roulem.roul.con. | | x | x | | | | 33 116 | |
| 15 | 00 952 939 0 | Lagerscheibe | Washer | Rondelle | | x | x | | | | | |
| 16 | 00 952 068 0 | Lagerscheibe | Washer | Rondelle | | x | x | | | | 104 X 136 X 2,5 | |
| 17 | 00 952 074 0 | Stoßring | Push ring | Bague | | x | x | | | | | |
| 18 | 00 952 922 0 | Bremsbacke | Brake shoe | Machoire de frein | | x | x | | | | mit Belag | |
| 19 | 00 952 968 0 | Zugfeder | Tension spring | Ressort tendeur | | x | x | | | | 5,3 X 28,5 X 268 | |
| 20 | 00 952 095 0 | Zugfeder | Tension spring | Ressort tendeur | | x | x | | | | | |
| 28 | 00 952 958 0 | Stossdämpfer | Shock absorber | Amortisseur | | x | x | | | | | |
| 29 | 00 900 264 0 | 6kt-Schraube | Hex head bolt | Boulon tête hex | | x | x | | | | M 8 X 45 | |
| 30 | 00 903 012 0 | Zylinderschraube | Allen screw | Vis tete cylindrique | | x | x | | | | M 20 X 65 | |
| 31 | 00 908 525 1 | 6kt-Mutter -niedrige Form | Hex nut -low form | Écrou hex -Forme basse | | x | x | | | | M 20 | |
| 32 | 00 952 956 0 | Deckel | Cover | Couvercle | | x | x | | | | | |
| 33 | 00 909 910 1 | Sperrkantscheibe | Detent edged washer | Disque à bord d'arrêt | | x | x | | | | SKM 12 | |
| 35 | 00 952 940 0 | Formblech | Plate | Plaque | | x | x | | | | | |
| 36 | 00 900 657 0 | 6kt-Schraube | Hex head bolt | Boulon tête hex | | x | x | | | | M 12 X 35 | |
| | 00 900 655 0 | 6kt-Schraube | Hex head bolt | Boulon tête hex | | x | x | | | | M 12 X 25 | |
| 38 | 00 952 953 0 | Druckfeder | Pressure spring | Ressort de pression | | x | x | | | | | |
| 39 | 00 952 938 0 | Lagerbuchse | Bearing bush | Coussinet | | x | x | | | | 55/50 X 70 | |
| 40 | 00 952 952 0 | Lenkbolzen | Steering pin | Axe de direction | | x | x | | | | | |
| 41 | 00 952 950 0 | Bolzen | Pin | Boulon | | x | x | | | | | |
| 42 | 00 912 113 1 | Splint | Cotter pin | Goupille fendue | | x | x | | | | 6,3 X 63 | |
| 43 | 00 952 949 0 | Hydraulikzylinder | Hydraulic cylinder | Vérin hydraulique | | x | x | | | | | |
| 44 | 00 952 947 0 | Gewindebolzen | Threaded bolt | Boulon fileté | | x | x | | | | | |
| 45 | 00 952 946 0 | Buchse | Bushing | Douille | | x | x | | | | 35,1/64,4 X 56 | |
| 46 | 00 952 943 0 | Spannkopf rechts | | | | x | x | | | | | |
| 47 | 00 952 948 0 | Scheibe | Washer | Rondelle | | x | x | | | | | |
| 48 | 00 908 726 1 | Sicherungsmutter | Hex nut | Ecrou 6 pans | | x | x | | | | M 24 | |





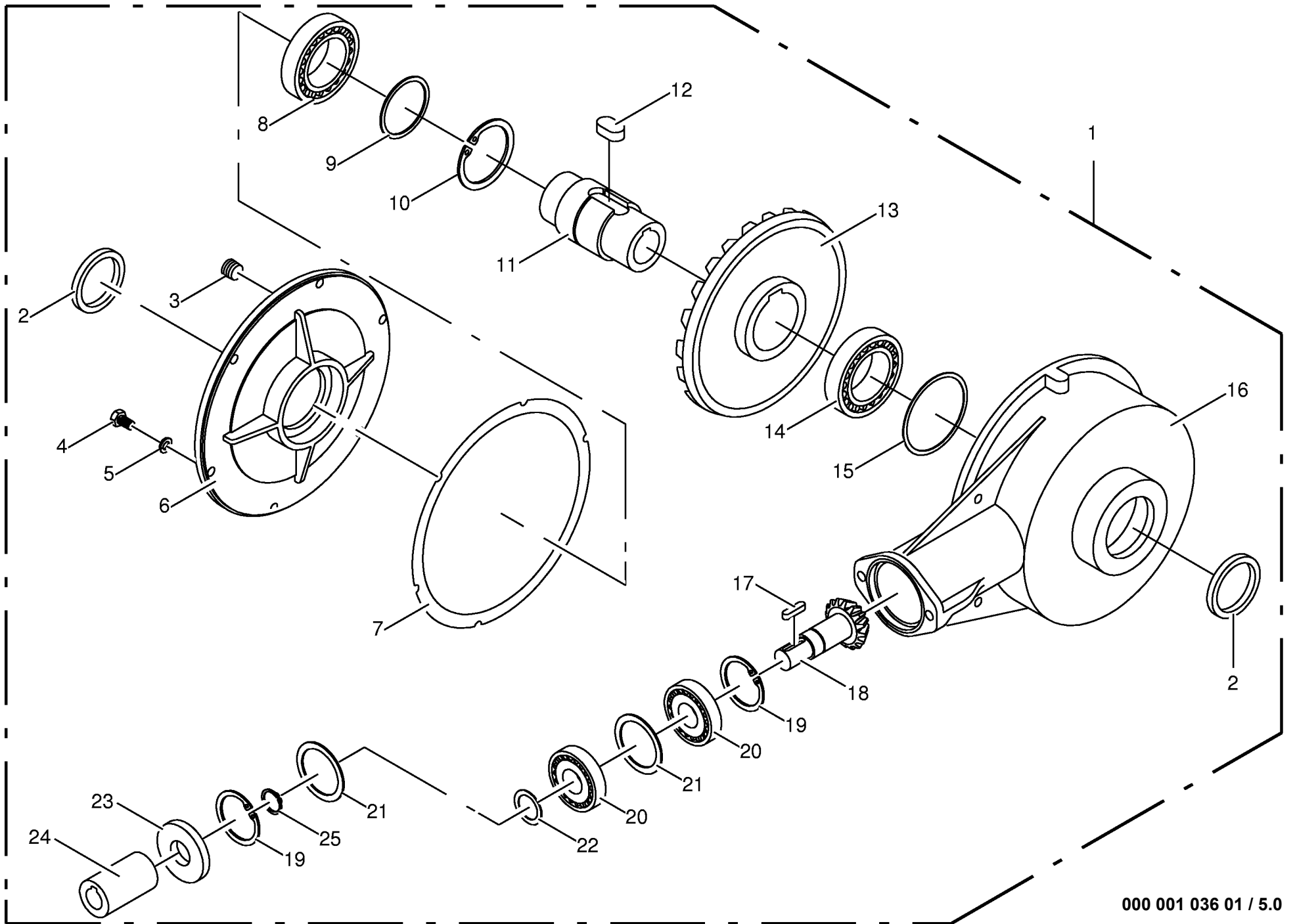
| Kratzboden Conveying floor Fond mouvant | | | | | 434400 - 486745 | 4 X L / R - G L | X X L / R - G L | | | 000 001 036 01 |
|---|--------------|-------------------------|----------------------------|---------------------------------|-----------------|--------------------------------------|--------------------------------------|--|-----------|----------------------------|
| Pos. | ID-Nr. | Benennung | Description | Description | Masch.-Nr- | | | | 448 937 3 | 3.0 |
| | | | | | | | | | | Bemerkung/Remarks/Remarque |
| 1 | 00 333 233 0 | Kratzboden kpl. | Conveying floor cpl. | Fond mouvant cpl. | | 2 | | | | lg.=12803 mm |
| 2 | 00 334 336 0 | Kratzboden kpl. | Conveying floor cpl. | Fond mouvant cpl. | | | 2 | | | lg.=11005 mm |
| 3 | 00 334 322 0 | Kratzbodenleiste | U-strip | Barrette de fond mouvant | | 50 | 44 | | | lg.=965 mm |
| 3 | 00 922 024 0 | Rundstahlkette Satz | Chain | Chaîne | | 2 | | | | B 10 X 31 X 413 GLD. |
| 4 | 00 922 582 0 | Rundstahlkette Satz | Chain | Chaîne | | | 2 | | | B 10 X 31 X 355 GLD. |
| 5 | 00 905 303 2 | Flachrundschrabe | Flat round bolt | Vis a tête bombée | | x | x | | | M 10 X 41 |
| 6 | 00 200 583 0 | Distanzstück | Spacer | Pièce d'entretoisement | | x | x | | | |
| 6 | 00 910 111 1 | Federring | Spring washer | Rondelle elastique | | x | x | | | B 10 |
| 7 | 00 908 212 0 | 6kt-Mutter | Hex nut | Écrou hex | | x | x | | | M 10 |
| 8 | 00 922 610 0 | Kettenschloß | Chain lock | Joint de chaine | | x | x | | | 10 X 31 |
| 9 | 00 334 326 1 | Kratzbodenantriebswelle | Scraper floor drive shaft | Arbre d'entraînement du font mo | | x | x | | | Rd. 40 X 2371 |
| 10 | 00 337 556 0 | Kratzbodenlager links | Mowing floor bearing | Palier de fond mouvant | | x | x | | | incl. Pos. 34 |
| 11 | 00 333 520 0 | Kratzbodenlager rechts | Mowing floor bearing right | Palier de fond mouvant droite | | x | x | | | incl. Pos. 34 |
| 12 | 00 919 107 0 | Kegel-Schmiernippel | Cone-grease nipple | Quille-graisseur | | x | x | | | CM 8 X 1 |
| 13 | 00 345 626 7 | Stützlagerhalter | Support bearing | Support de crapaudine | | x | x | | | |
| 14 | 00 345 645 1 | Halbschale | Half bearing shall | Demi coussinet | | x | x | | | |
| 15 | 00 340 739 1 | Spezielscheibe | Special washer | Rondelle | | x | x | | | Rd 9 X 35 X 2,5 |
| 16 | 00 910 010 0 | Federring | Spring washer | Rondelle elastique | | x | x | | | |
| 18 | 00 900 636 0 | 6kt-Schraube | Hex head bolt | Boulon tête hex | | x | x | | | M 10 X 25 |
| 19 | 00 900 656 0 | 6kt-Schraube | Hex head bolt | Boulon tête hex | | x | x | | | M 12 X 30 |
| 20 | 00 908 701 0 | Sicherungsmutter | Securing nut | Écrou-frein | | x | x | | | M 12 |
| 21 | 00 200 576 3 | Nusskettenrad | Nut chain wheel | Roue à chaîne de noix | | x | x | | | |
| 22 | 00 915 544 0 | Nasenkeil | Gib-head key | Clavette a talon | | x | x | | | 10 X 8 X 56 |
| 23 | 00 911 322 0 | Stellring | Fixing ring | Bague | | x | x | | | A 40 (incl.Pos.24) |
| 24 | 00 905 933 0 | Gewindestift | Set screw | Vis sans tete | | x | x | | | M 10 X 12 |
| 25 | 00 200 751 2 | Halter -links | Support -left | Cadre support -gauche | | x | x | | | |
| 26 | 00 201 324 1 | Halter -rechts | Support -right | Cadre support -droite | | x | x | | | |
| 27 | 00 334 615 0 | Halter links | Support left | Support gauche | | x | x | | | |
| 28 | 00 336 615 1 | Halter rechts | Support | Support | | x | x | | | |
| 29 | 00 200 577 1 | Umlenkrolle | Deflexion pulley | Rouleau de détournement | | x | x | | | |
| 30 | 00 919 105 0 | Kegel-Schmiernippel | Cone-grease nipple | Quille-graisseur | | x | x | | | AM 8 X 1 |
| 31 | 00 334 353 0 | Kratzbodenwelle | Drove shaft | Arbre | | 2 | 2 | | | Rd 30 X 921 |
| 32 | 00 911 317 0 | Stellring | Fixing ring | Bague | | x | x | | | A 30 ,incl. Pos.33 |
| 33 | 00 905 922 0 | Gewindestift | Set screw | Vis sans tete | | x | x | | | M 8 X 10 |
| 34 | 00 934 935 0 | Lagerbuchse | Bearing bush | Coussinet | | x | x | | | 4050 DU |
| 35 | 00 200 753 0 | Spannkeil | Tensioning wedge | Coin de serrage | | x | x | | | |
| 36 | 00 900 636 0 | 6kt-Schraube | Hex head bolt | Boulon tête hex | | x | x | | | M 10 X 25 |
| 37 | 00 908 758 0 | Sicherungsmutter | Securing nut | Écrou-frein | | x | x | | | M 10 |





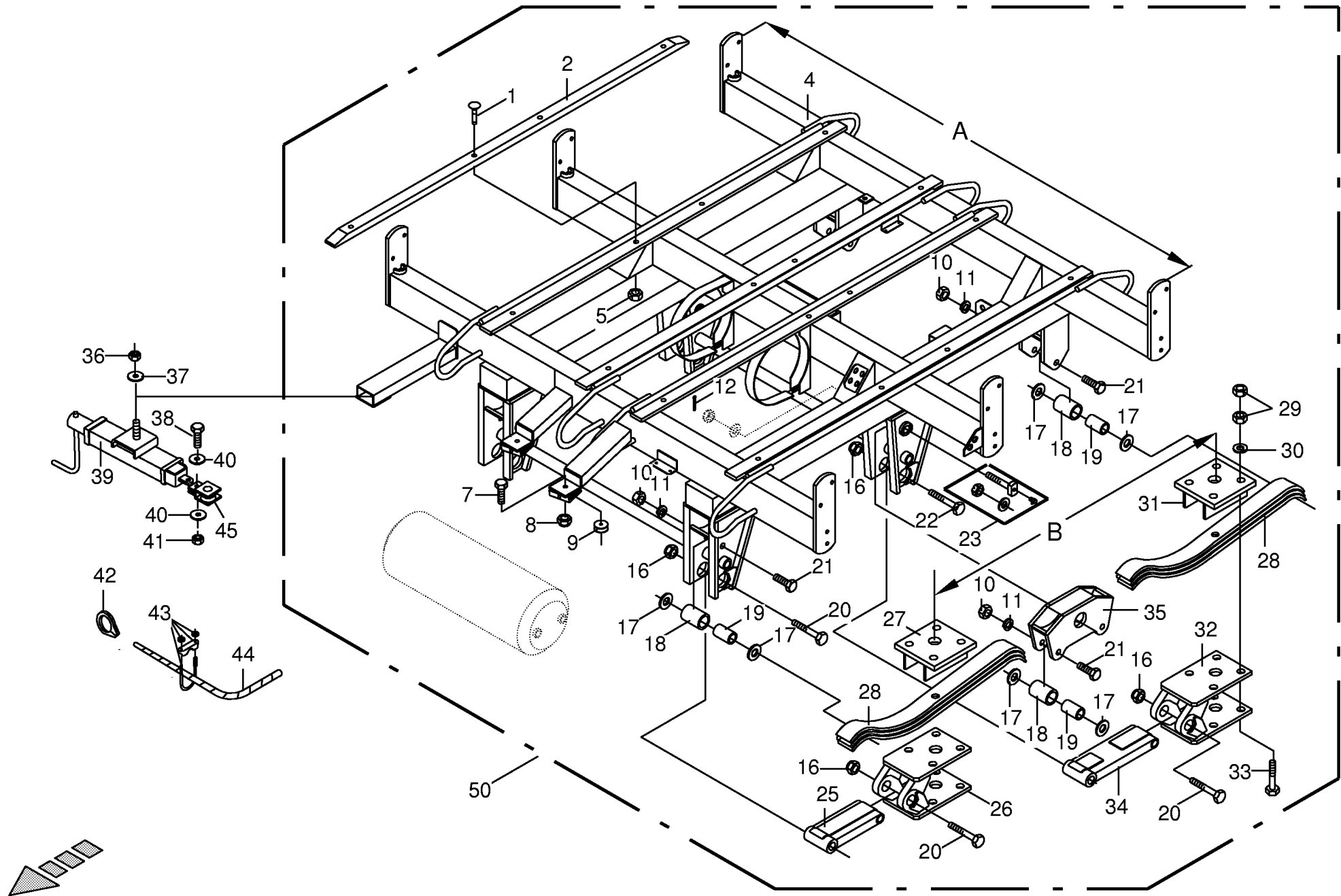
000 001 036 01 / 4.0

448 938 0

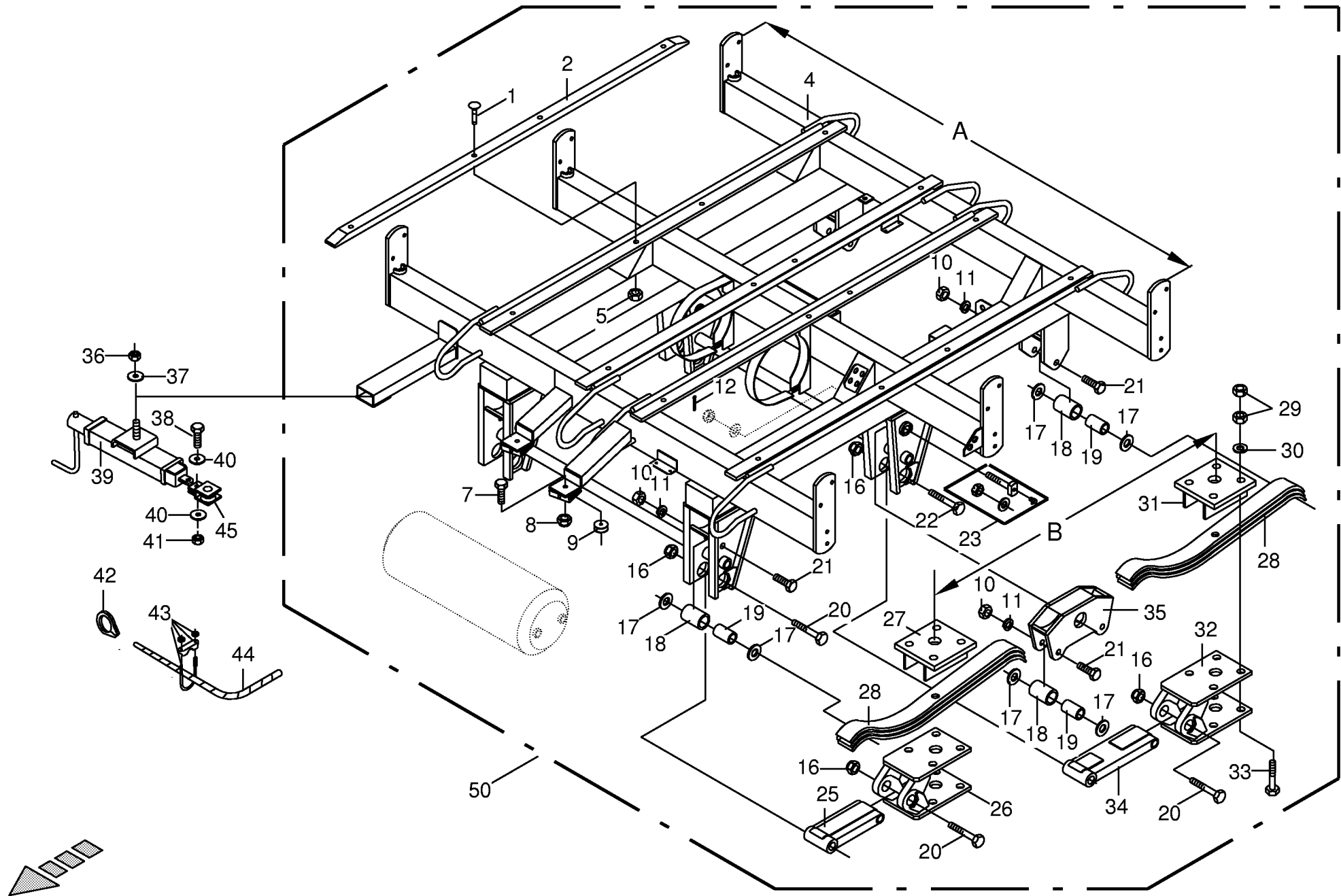


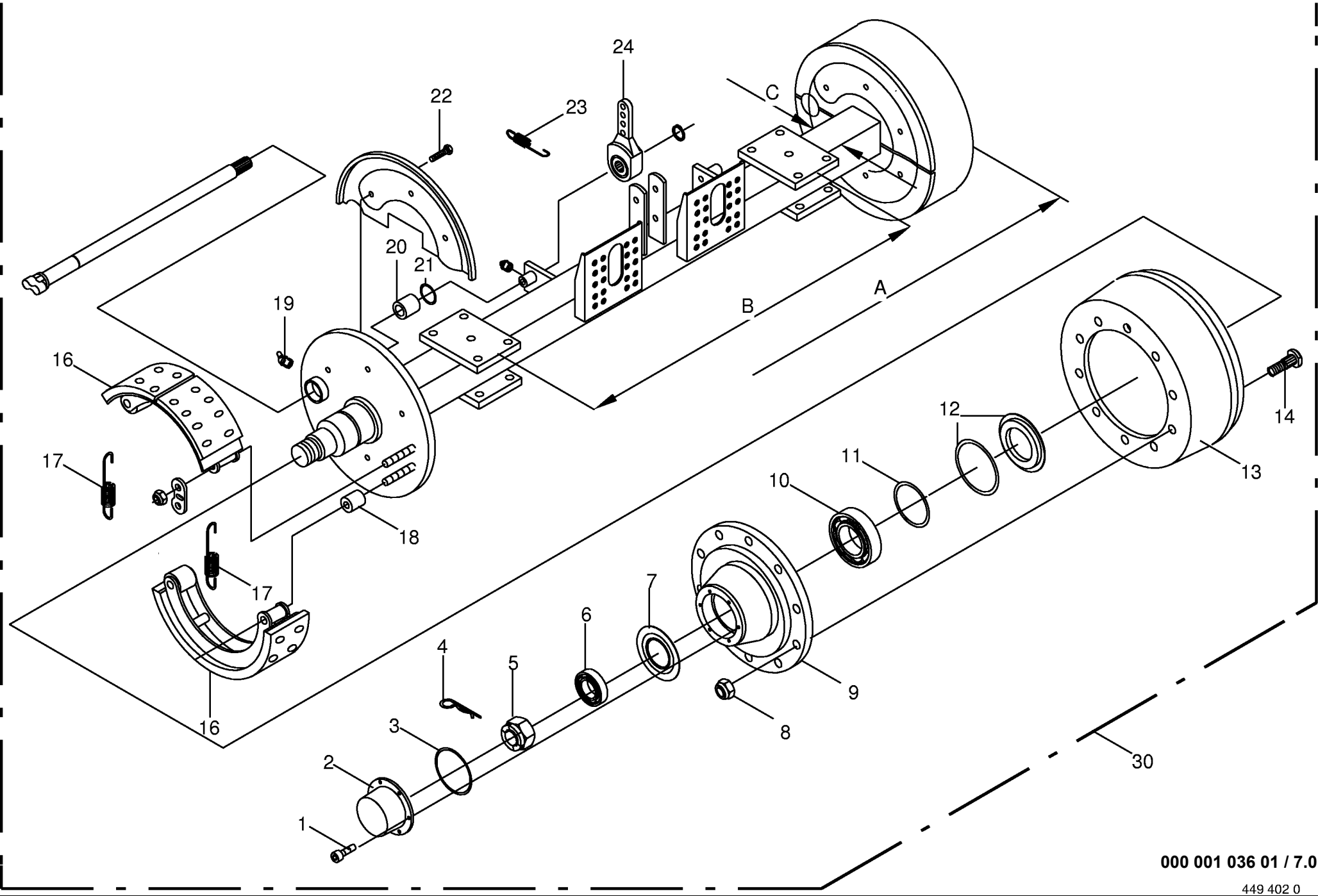
000 001 036 01 / 5.0

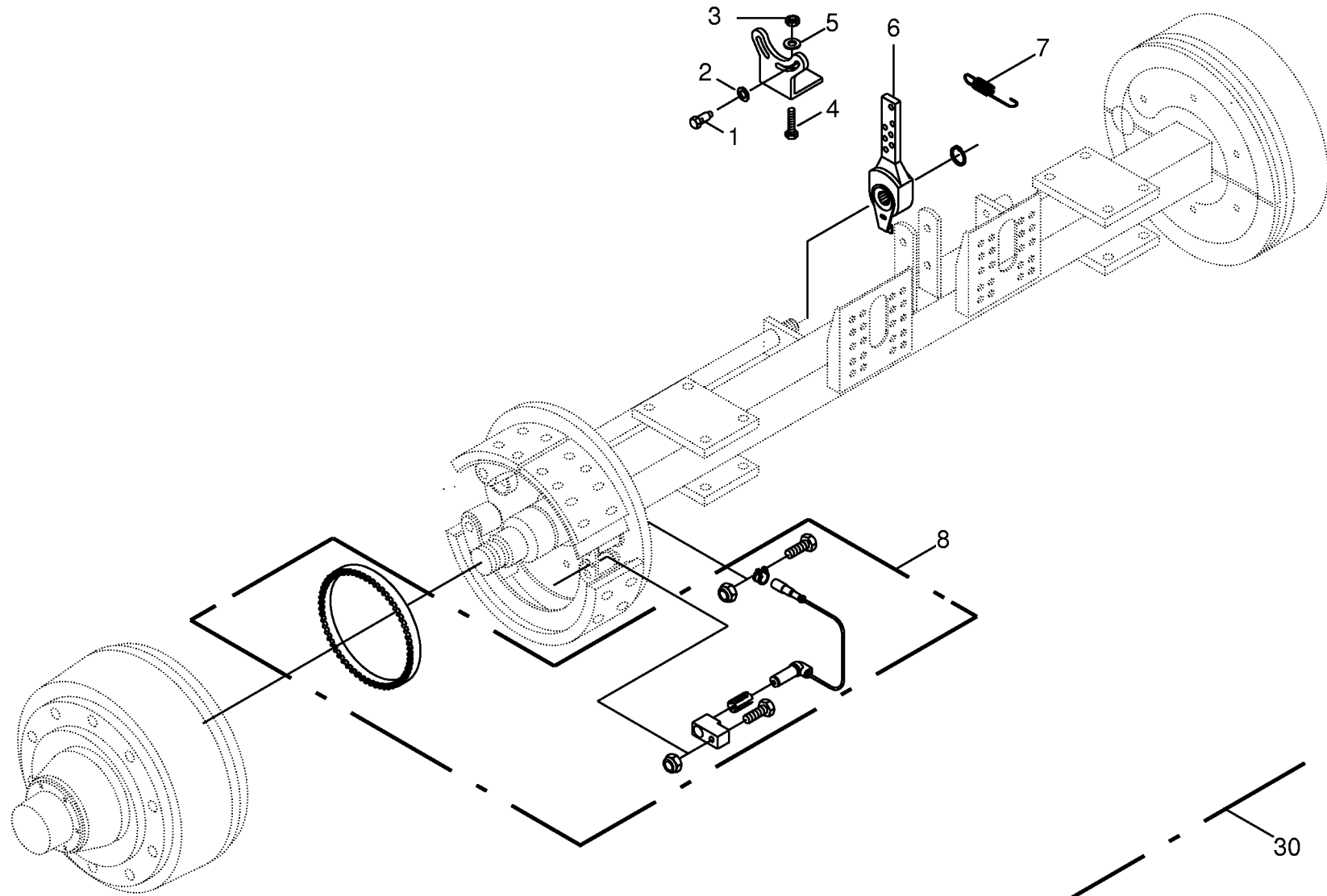
447 934 0

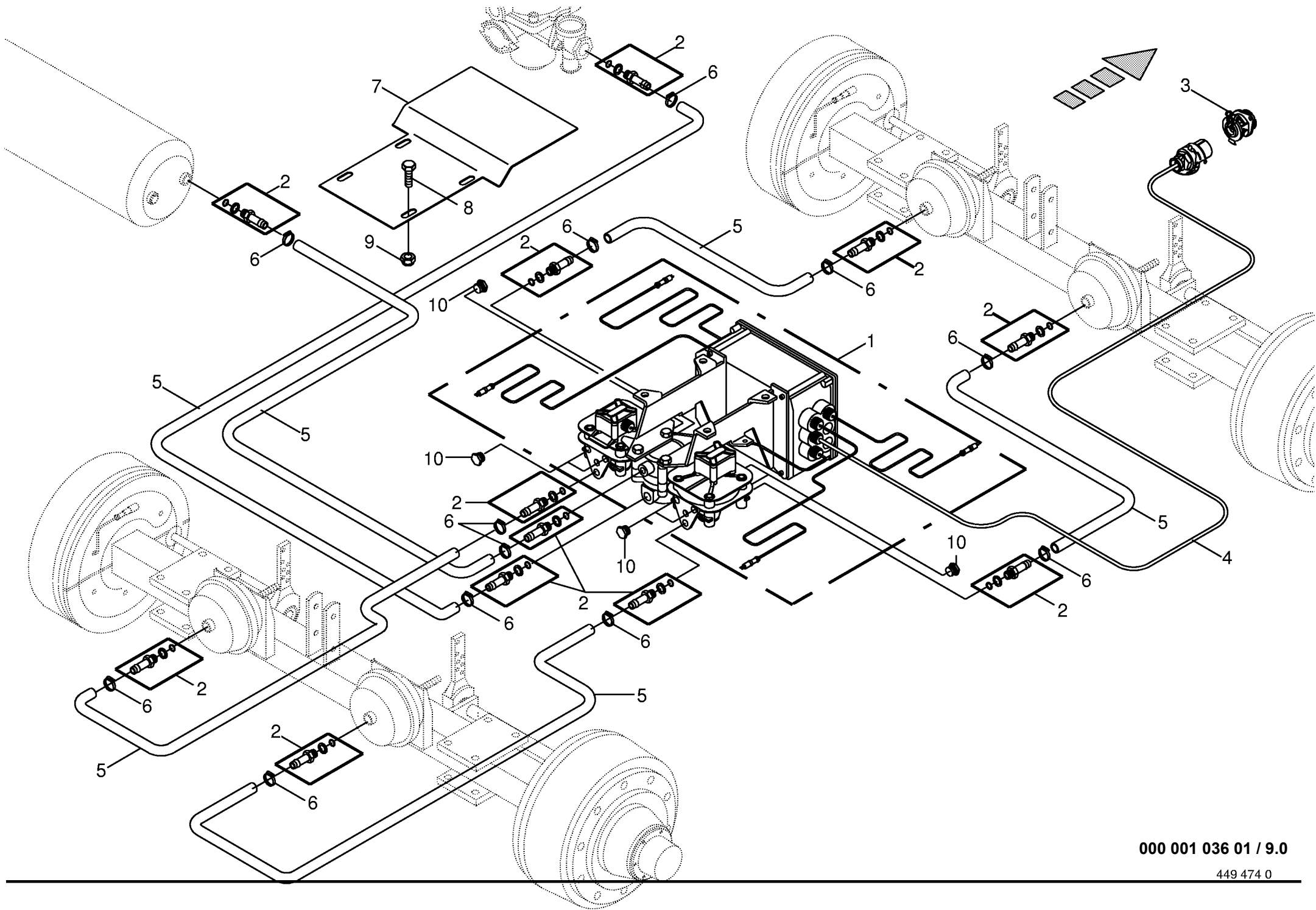


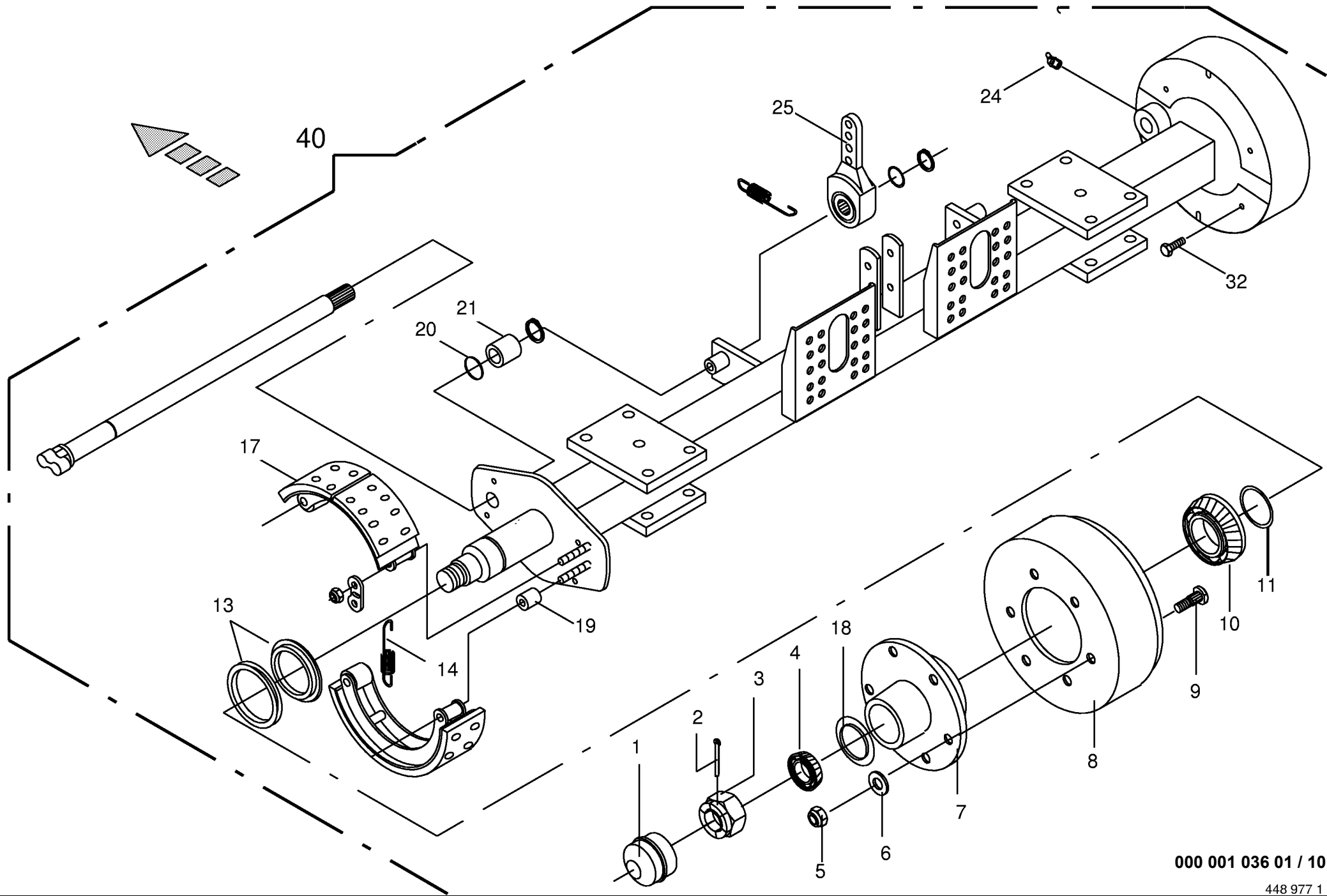
| Tandemaaggregat, ungelenkt 12/16to Tandem axle assy Collection essieu tandem | | | | | 434400 - 486745 | 4 X L / R - G L | X X L / R - G L | | | 000 001 036 01 449 506 1 6.0 |
|--|--------------|---------------------------|-----------------------|-----------------------------|-----------------|--------------------------------------|--------------------------------------|--|--|------------------------------------|
| Pos. | ID-Nr. | Benennung | Description | Description | Masch.-Nr- | | | | | Bemerkung/Remarks/Remarque |
| 1 | 00 904 838 0 | Flachrundschaube | Flat round bolt | Vis a tête bombée | | x | x | | | M 10 X 55 |
| 2 | 00 218 423 0 | Holzplatte | Wood plate | Plaque en bois | | x | x | | | Lg.= 1950 |
| 4 | 00 952 075 0 | Rahmen A / B | Frame A / B | Cadre A / B | | x | x | | | (nur auf Anfrage) 2230 / 1010 |
| 5 | 00 908 758 0 | Sicherungsmutter | Securing nut | Écrou-frein | | x | x | | | M 10 |
| 7 | 00 901 434 0 | 6kt-Schraube | Hex head bolt | Boulon tête hex | | x | x | | | M 10 X 55 |
| 8 | 00 908 758 0 | Sicherungsmutter | Securing nut | Écrou-frein | | x | x | | | M 10 |
| 9 | 00 003 041 3 | Seilrolle | Rope pulley | Poulie à cable | | x | x | | | |
| 10 | 00 908 220 0 | 6kt-Mutter | Hex nut | Ecrou | | x | x | | | M 16 |
| 11 | 00 910 014 0 | Federring | Spring washer | Rondelle elastique | | x | x | | | B 16 |
| 12 | 00 912 091 1 | Splint | Cotter pin | Goupille fendue | | x | x | | | 5 X 50 |
| 16 | 00 908 730 0 | Sicherungsmutter | Hex nut | Ecrou 6 pans | | x | x | | | M 30 |
| 17 | 00 910 319 0 | Scheibe | Washer | Rondelle | | x | x | | | 21 X 37 X 3 |
| 18 | 00 952 639 0 | Gummirolle | Rubber roller | Rouleau caoutchou | | x | x | | | Rd.20/60 X 80 |
| 19 | 00 952 640 0 | Buchse | Bushing | Douille | | x | x | | | Rd.20 X 1,5 X 80 |
| 20 | 00 901 259 0 | 6kt-Schraube | Hex head bolt | Boulon tête hex | | x | x | | | M 30 X 150 |
| 21 | 00 901 491 0 | 6kt-Schraube | Hex head bolt | Boulon tête hex | | x | x | | | M 16 X 130 |
| 22 | 00 901 165 0 | 6kt-Schraube | Hex head bolt | Boulon tête hex | | x | x | | | M 30 X 170 |
| 23 | 00 952 641 0 | Federbolzen kpl. | Springbolt | Axe | | x | x | | | Rd.30 X 160 |
| 25 | 00 952 076 0 | Längslenker, vorn | Front control arm | Bras de commande AV | | x | x | | | |
| 26 | 00 952 079 0 | Federschuh, vorn links | Front spring shoe, lh | Patin de ressort AV, gauche | | x | x | | | |
| | 00 952 080 0 | Federschuh, vorn rechts | Front spring shoe, rh | Patin de ressort AV, droite | | x | x | | | |
| 27 | 00 952 077 0 | Federplatte, vorn | Front plate | Plaque avant | | x | x | | | |
| 28 | 00 952 637 0 | Parabelfeder | Parabolic spring | Ressort parabolique | | x | x | | | 3 Lagen |
| 29 | 00 908 031 1 | 6kt-Mutter | Hex nut | Écrou hex | | x | x | | | M 24 |
| 30 | 00 910 514 1 | Scheibe | Washer | Rondelle | | x | x | | | 26 X 44 X 4 |
| 31 | 00 952 083 0 | Federplatte, hinten | Rear plate | Plaque arriere | | x | x | | | |
| 32 | 00 952 081 0 | Federschuh, hinten links | Spring saddle, lh | Patin de ressort, gauche | | x | x | | | |
| | 00 952 082 0 | Federschuh, hinten rechts | Spring saddle, rh | Patin de ressort, droite | | x | x | | | |
| 33 | 00 901 022 0 | 6kt-Schraube | Hex head bolt | Boulon tête hex | | x | x | | | M 24 X 320 |
| 34 | 00 952 078 0 | Längslenker, hinten | Rear control arm | Bras de commande AR | | x | x | | | |
| 35 | 00 952 638 0 | Pendellager | Self-aligning bearing | Palier articule | | x | x | | | |
| 36 | 00 908 716 1 | Sicherungsmutter | Hex nut | Ecrou 6 pans | | x | x | | | M 16 |
| 37 | 00 910 511 0 | Scheibe | Washer | Rondelle | | x | x | | | 17,5 X 30 X 3 |
| 38 | 00 900 658 0 | 6kt-Schraube | Hex head bolt | Boulon tête hex | | x | x | | | M 12 X 40 |
| 39 | 00 336 988 0 | Standbremse | Parking brake | Frein de stationnement | | x | x | | | |
| 40 | 00 910 506 1 | Scheibe | Washer | Rondelle | | x | x | | | 13 X 24 X 2,5 |
| 41 | 00 908 701 0 | Sicherungsmutter | Securing nut | Écrou-frein | | x | x | | | M 12 |





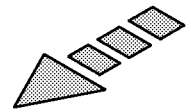




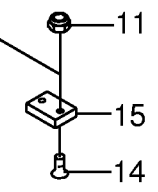
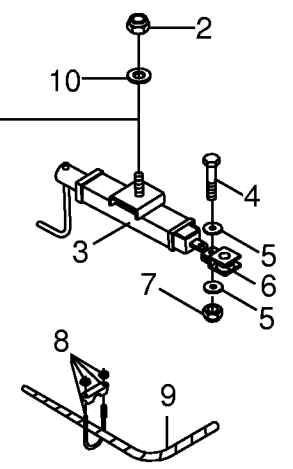
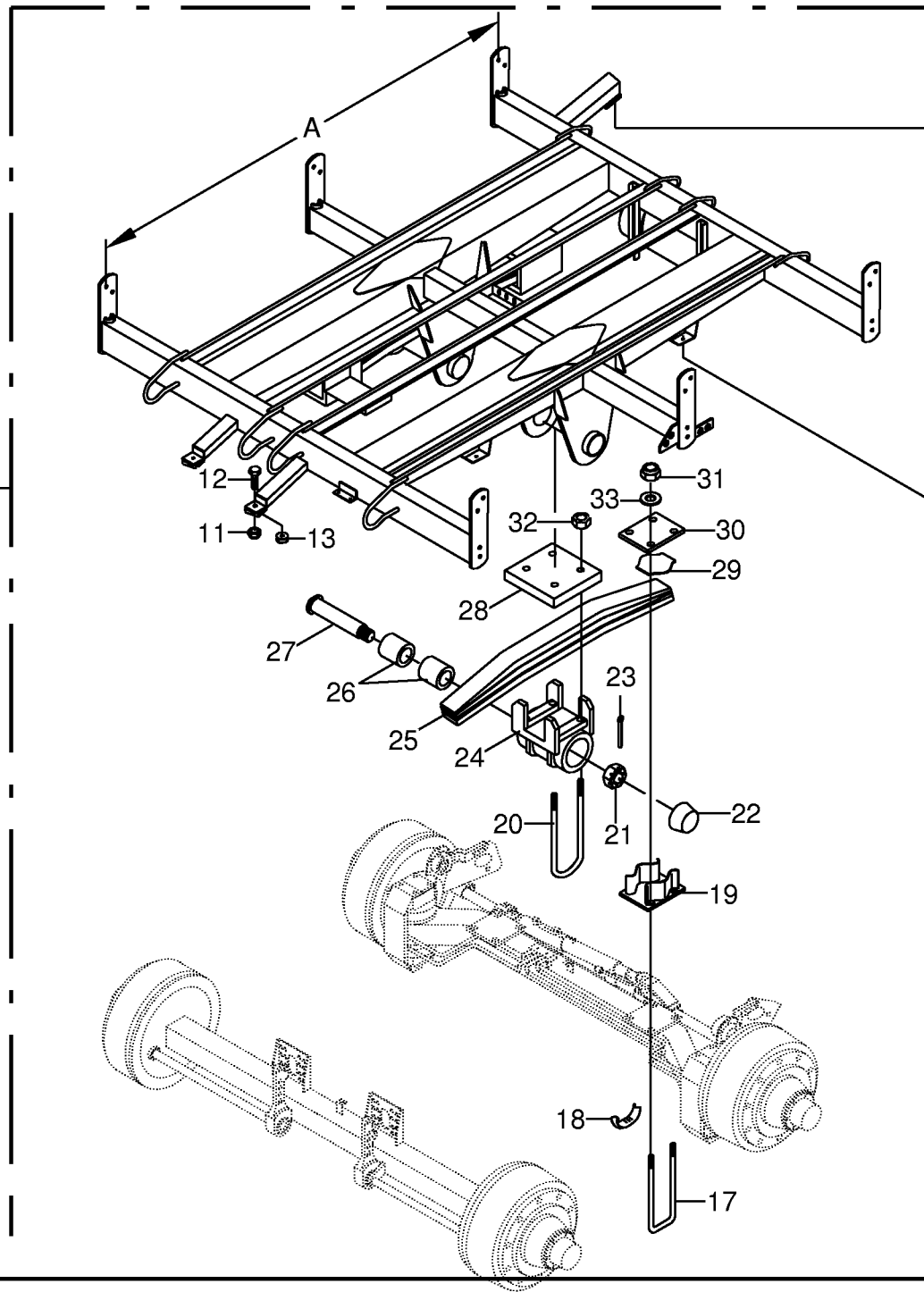


000 001 036 01 / 10.0

448 977 1

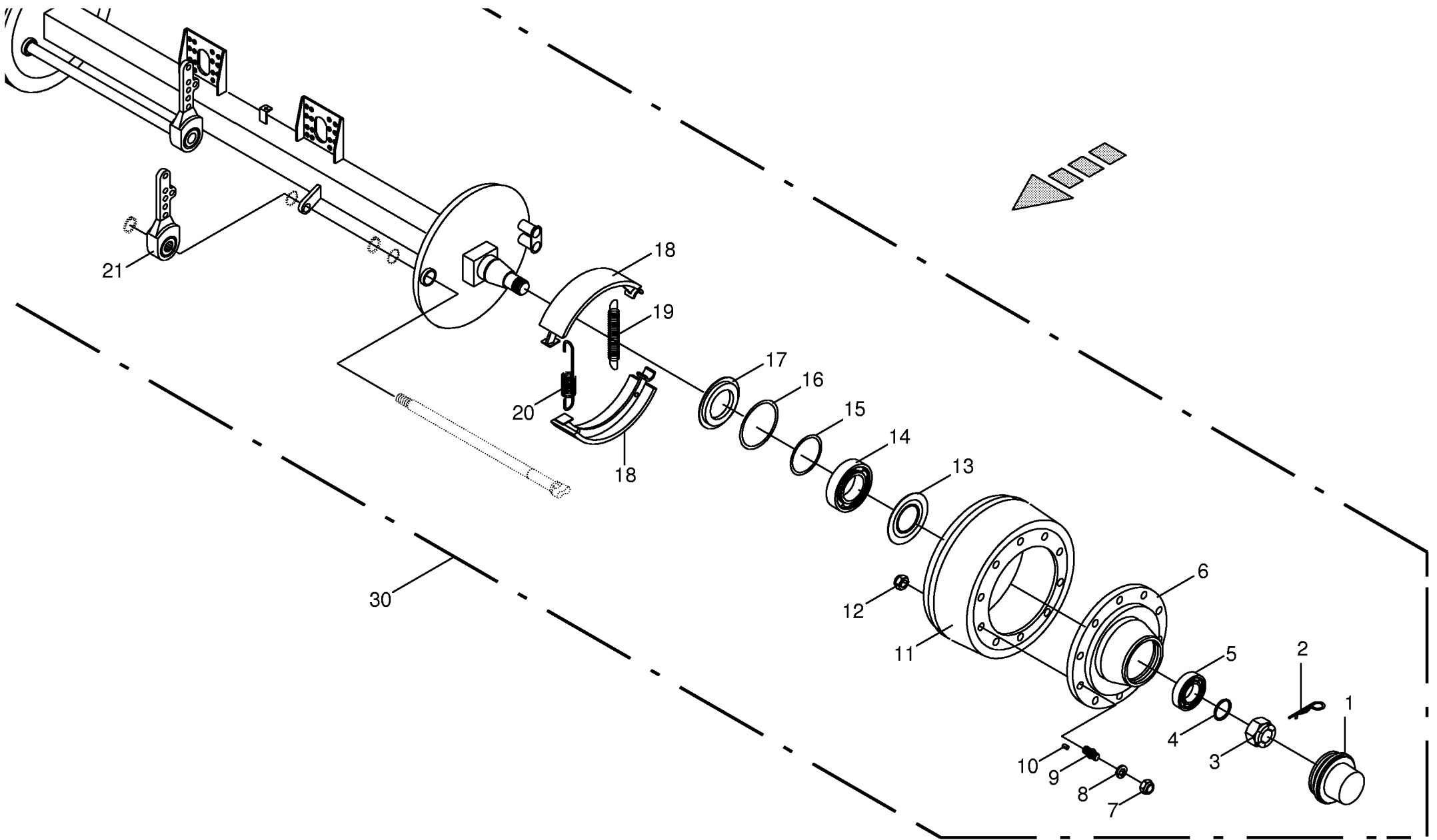


1



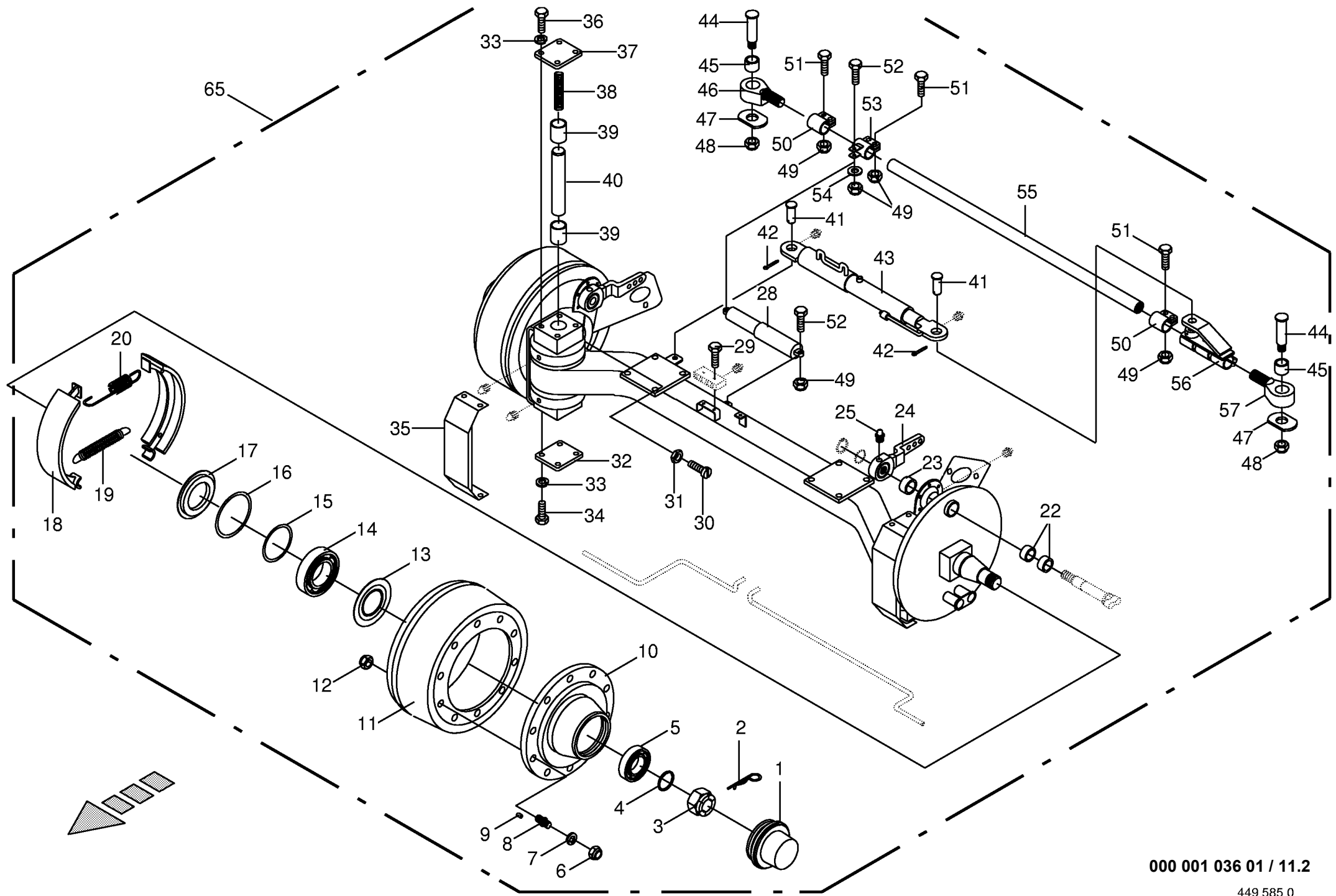
000 001 036 01 / 11.0

449 211 2



000 001 036 01 / 11.1

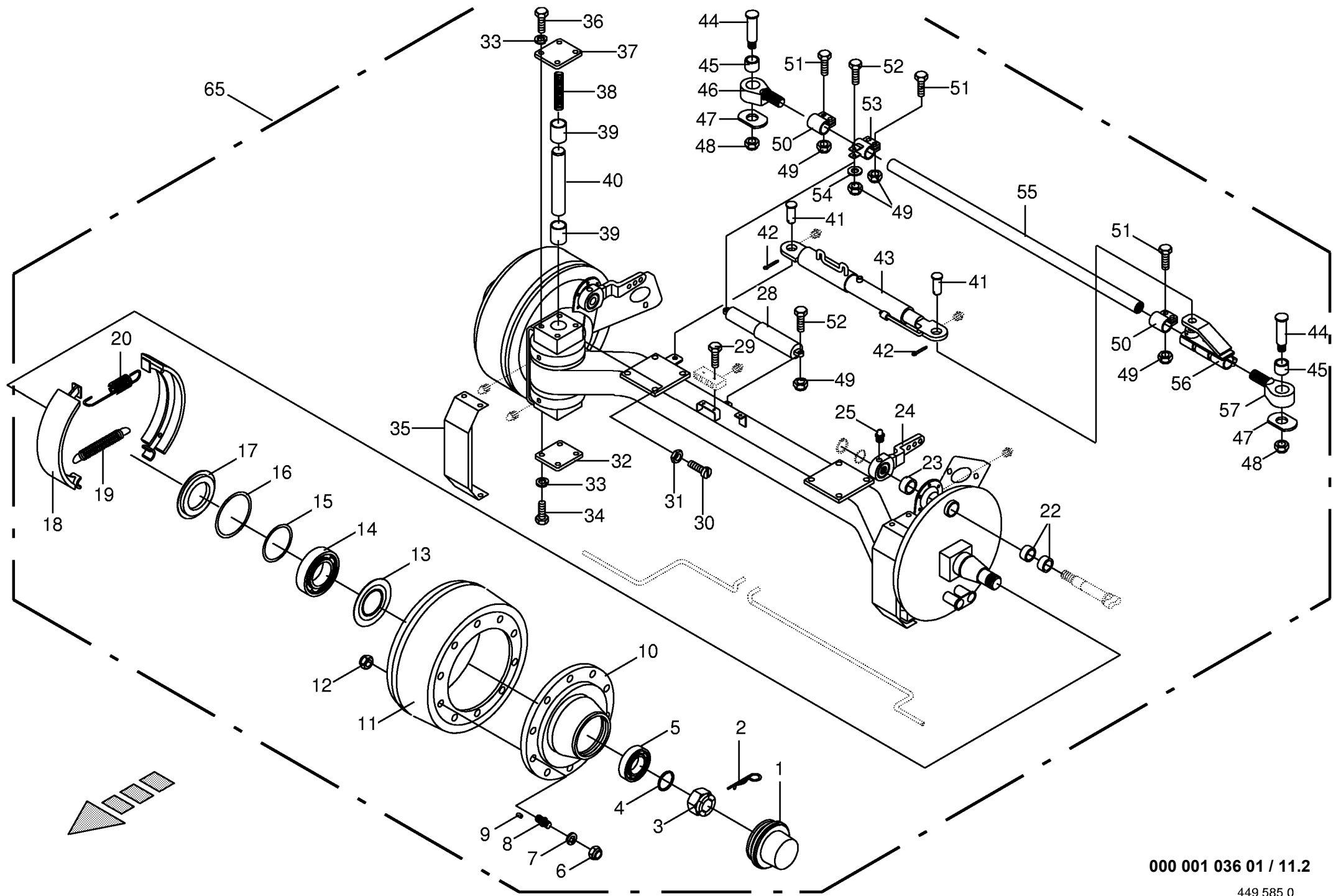
449 584 0



000 001 036 01 / 11.2

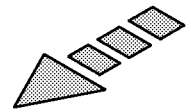
449 585 0

| Bremsachse hinten - Boogie - 18to Brake axle back Essieu arriere | | | | | 473785 - 486745 | 4 X L / R - G L | X X L / R - G L | | | | 000 001 036 01 449 585 0 11.2 |
|--|--------|-----------|-----------------|--------------------------------|-----------------|--------------------------------------|--------------------------------------|--|--|--|-------------------------------------|
| Pos. | ID-Nr. | Benennung | Description | Description | Masch.-Nr- | | | | | | Bemerkung/Remarks/Remarque |
| 1 | . | . | the full width) | contient de diverses fittings. | | x | x | | | | |
| 2 | . | . | the full width) | contient de diverses fittings. | | x | x | | | | |
| 3 | . | . | the full width) | contient de diverses fittings. | | x | x | | | | |
| 4 | . | . | the full width) | contient de diverses fittings. | | x | x | | | | |
| 5 | . | . | the full width) | contient de diverses fittings. | | x | x | | | | |
| 6 | . | . | the full width) | contient de diverses fittings. | | x | x | | | | |
| 7 | . | . | the full width) | contient de diverses fittings. | | x | x | | | | |
| 8 | . | . | the full width) | contient de diverses fittings. | | x | x | | | | |
| 9 | . | . | the full width) | contient de diverses fittings. | | x | x | | | | |
| 10 | . | . | the full width) | contient de diverses fittings. | | x | x | | | | 10-Loch |
| 11 | . | . | the full width) | contient de diverses fittings. | | x | x | | | | 10-Loch |
| 12 | . | . | the full width) | contient de diverses fittings. | | x | x | | | | |
| 13 | . | . | the full width) | contient de diverses fittings. | | x | x | | | | |
| 14 | . | . | the full width) | contient de diverses fittings. | | x | x | | | | |
| 15 | . | . | the full width) | contient de diverses fittings. | | x | x | | | | |
| 16 | . | . | the full width) | contient de diverses fittings. | | x | x | | | | |
| 17 | . | . | the full width) | contient de diverses fittings. | | x | x | | | | |
| 18 | . | . | the full width) | contient de diverses fittings. | | x | x | | | | |
| 19 | . | . | the full width) | contient de diverses fittings. | | x | x | | | | |
| 20 | . | . | the full width) | contient de diverses fittings. | | x | x | | | | |
| 22 | . | . | the full width) | contient de diverses fittings. | | x | x | | | | |
| 23 | . | . | the full width) | contient de diverses fittings. | | x | x | | | | |
| 24 | . | . | the full width) | contient de diverses fittings. | | x | x | | | | |
| 25 | . | . | the full width) | contient de diverses fittings. | | x | x | | | | |
| 28 | . | . | the full width) | contient de diverses fittings. | | x | x | | | | |
| 29 | . | . | the full width) | contient de diverses fittings. | | x | x | | | | |
| 30 | . | . | the full width) | contient de diverses fittings. | | x | x | | | | |
| 31 | . | . | the full width) | contient de diverses fittings. | | x | x | | | | |
| 32 | . | . | the full width) | contient de diverses fittings. | | x | x | | | | |
| 33 | . | . | the full width) | contient de diverses fittings. | | x | x | | | | |
| 34 | . | . | the full width) | contient de diverses fittings. | | x | x | | | | |
| 35 | . | . | the full width) | contient de diverses fittings. | | x | x | | | | |
| 36 | . | . | the full width) | contient de diverses fittings. | | x | x | | | | |
| 37 | . | . | the full width) | contient de diverses fittings. | | x | x | | | | |
| 38 | . | . | the full width) | contient de diverses fittings. | | x | x | | | | |
| 39 | . | . | the full width) | contient de diverses fittings. | | x | x | | | | |
| 40 | . | . | the full width) | contient de diverses fittings. | | x | x | | | | |
| 41 | . | . | the full width) | contient de diverses fittings. | | x | x | | | | |

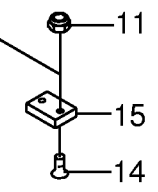
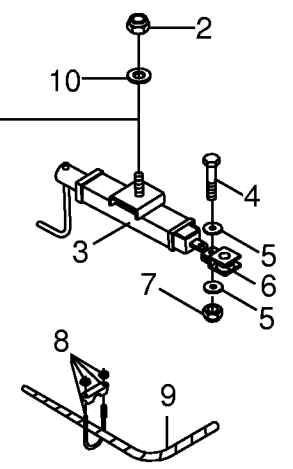
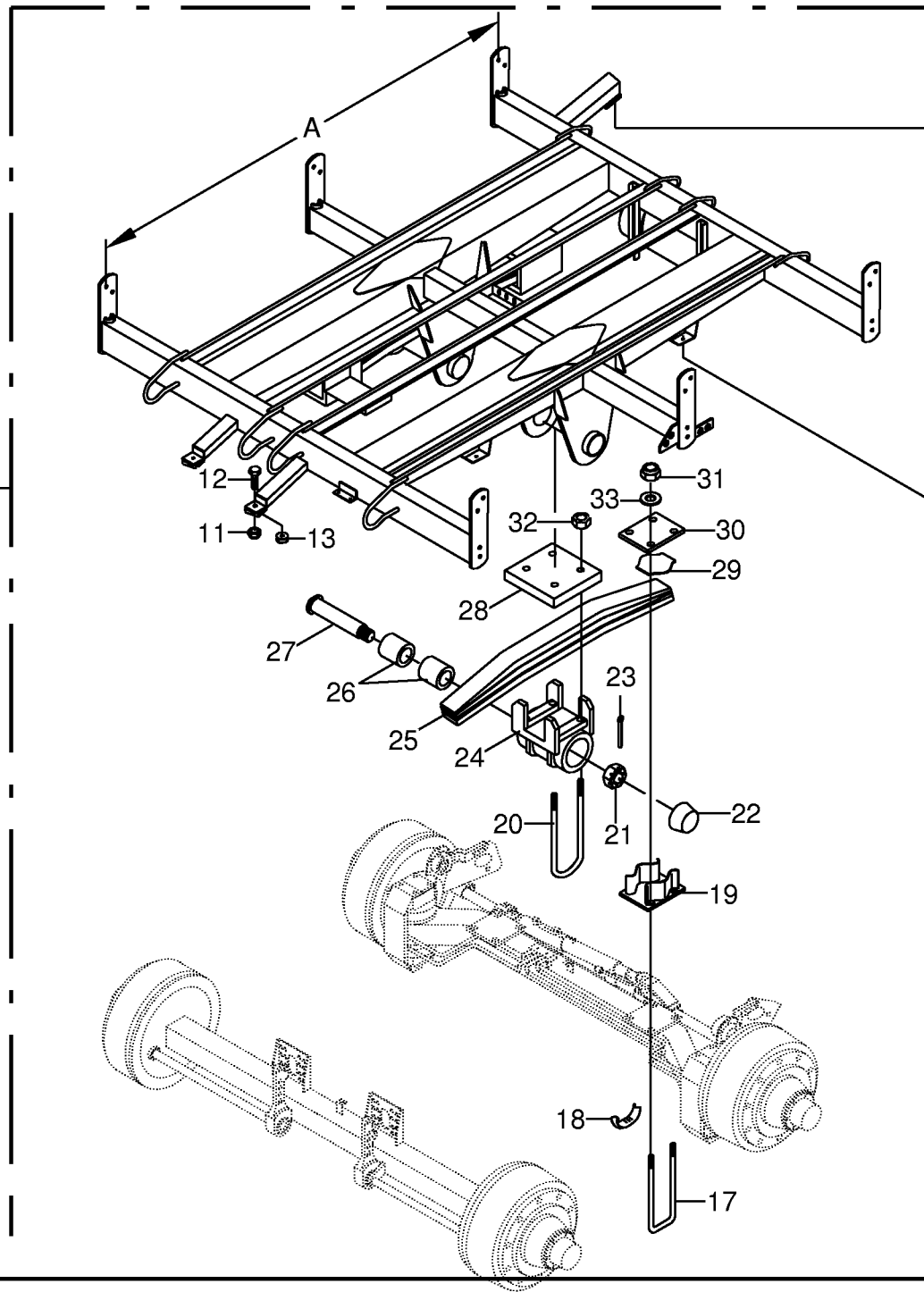


000 001 036 01 / 11.2

449 585 0

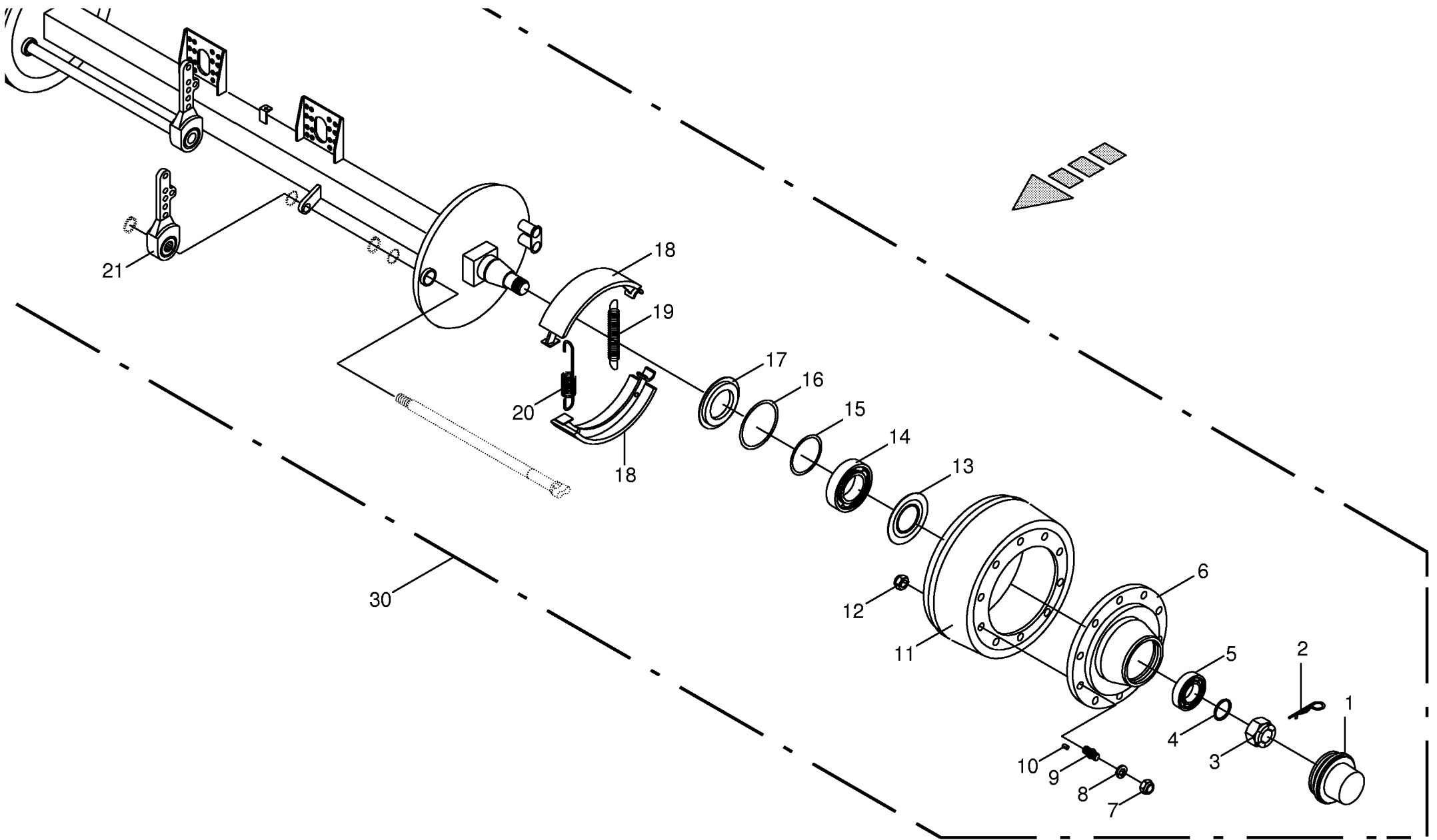


1



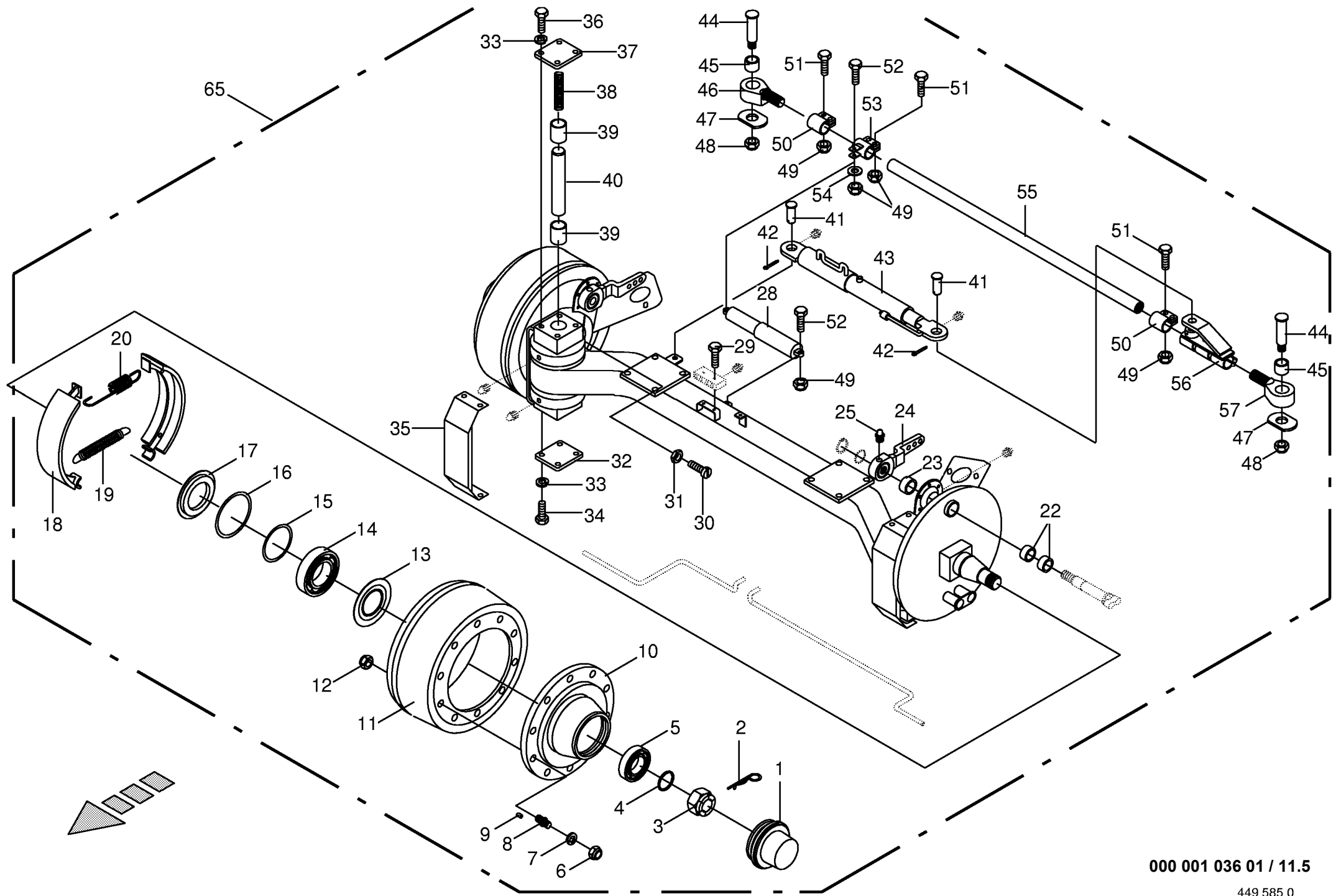
000 001 036 01 / 11.3

449 211 2



000 001 036 01 / 11.4

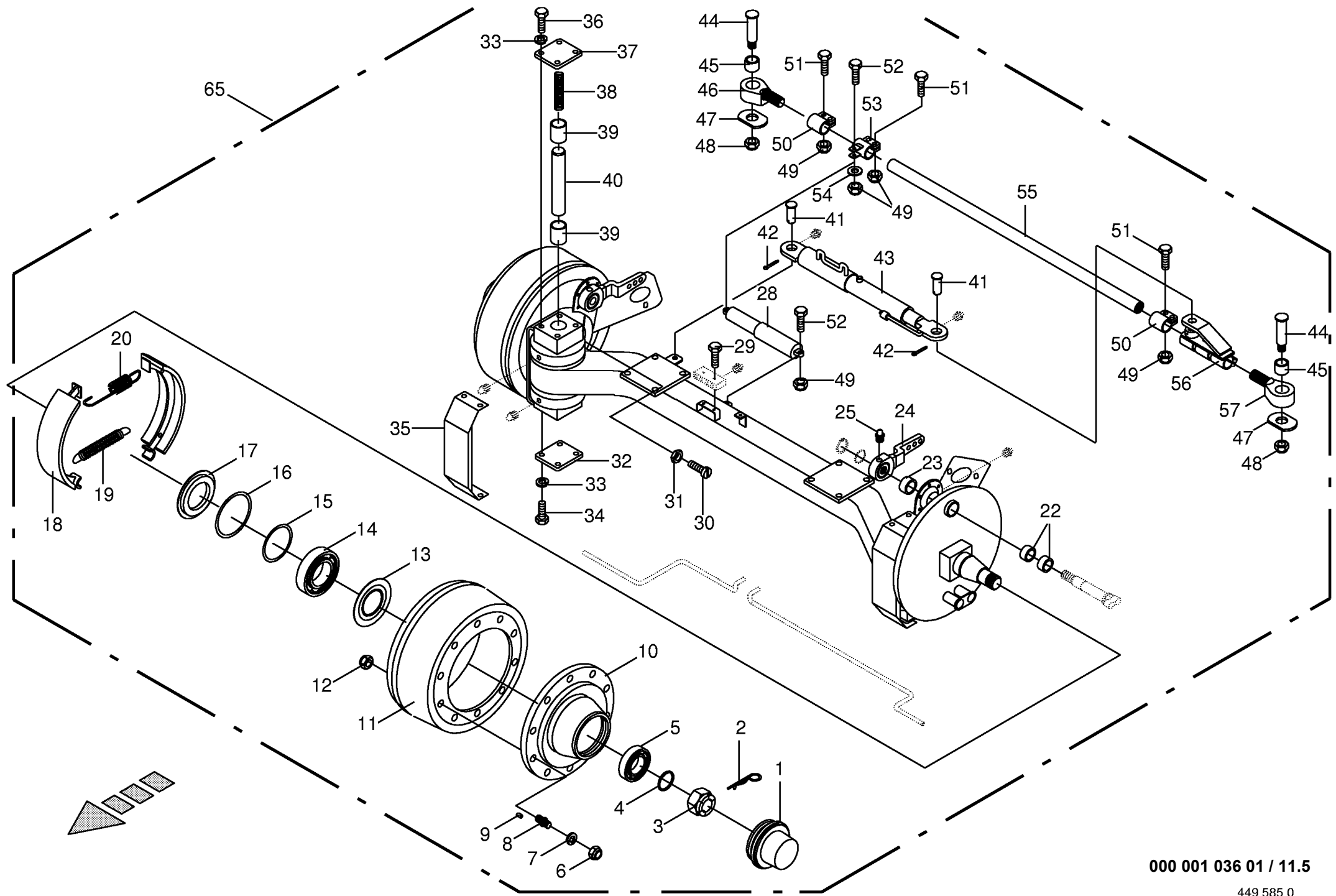
449 584 0



000 001 036 01 / 11.5

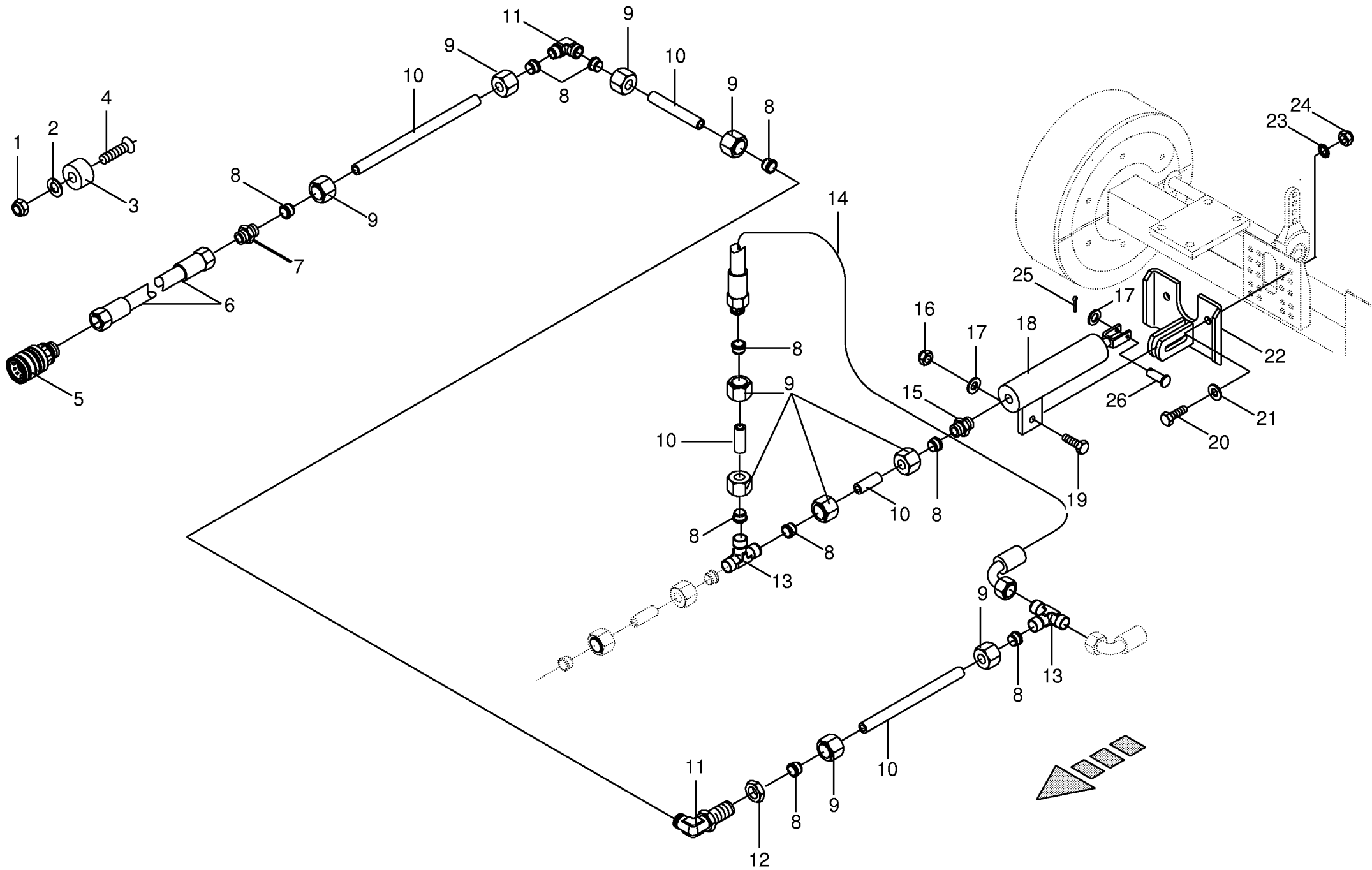
449 585 0

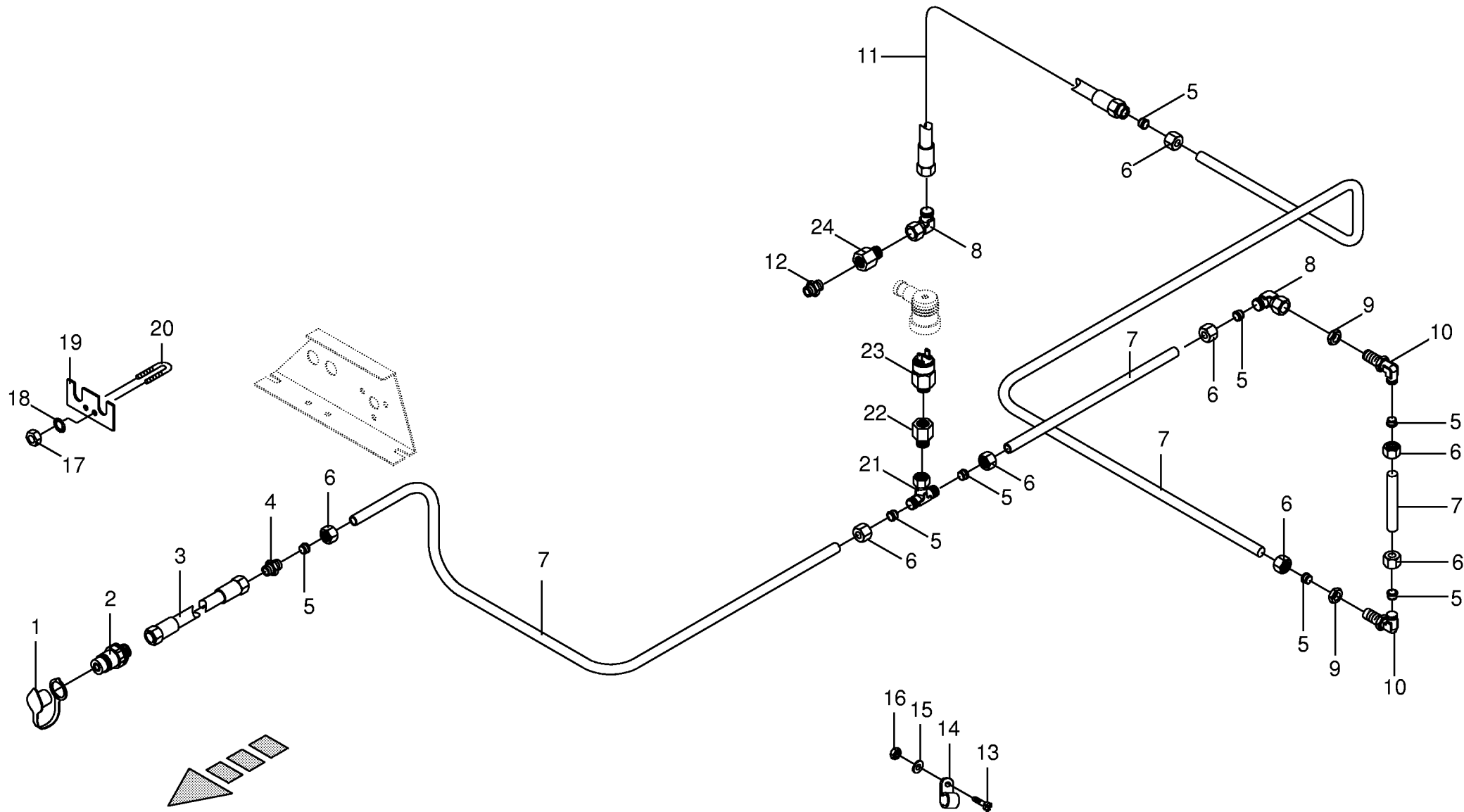
| Bremsachse hinten - Boogie - 16to Brake axle back Essieu arriere | | | | | 473785 - 486745 | 4 X L / R - G L | X X L / R - G L | | | | 000 001 036 01 |
|--|--------|-----------|-----------------|--------------------------------|-----------------|--------------------------------------|--------------------------------------|--|--|----------------------------|-----------------------|
| Pos. | ID-Nr. | Benennung | Description | Description | Masch.-Nr- | | | | | | 449 585 0 11.5 |
| | | | | | | | | | | Bemerkung/Remarks/Remarque | |
| 1 | . | . | the full width) | contient de diverses fittings. | | X | X | | | | |
| 2 | . | . | the full width) | contient de diverses fittings. | | X | X | | | | |
| 3 | . | . | the full width) | contient de diverses fittings. | | X | X | | | | |
| 4 | . | . | the full width) | contient de diverses fittings. | | X | X | | | | |
| 5 | . | . | the full width) | contient de diverses fittings. | | X | X | | | | |
| 6 | . | . | the full width) | contient de diverses fittings. | | X | X | | | | |
| 7 | . | . | the full width) | contient de diverses fittings. | | X | X | | | | |
| 8 | . | . | the full width) | contient de diverses fittings. | | X | X | | | | |
| 9 | . | . | the full width) | contient de diverses fittings. | | X | X | | | | |
| 10 | . | . | the full width) | contient de diverses fittings. | | X | X | | | | 8-Loch |
| 11 | . | . | the full width) | contient de diverses fittings. | | X | X | | | | 8-Loch |
| 12 | . | . | the full width) | contient de diverses fittings. | | X | X | | | | |
| 13 | . | . | the full width) | contient de diverses fittings. | | X | X | | | | |
| 14 | . | . | the full width) | contient de diverses fittings. | | X | X | | | | |
| 15 | . | . | the full width) | contient de diverses fittings. | | X | X | | | | |
| 16 | . | . | the full width) | contient de diverses fittings. | | X | X | | | | |
| 17 | . | . | the full width) | contient de diverses fittings. | | X | X | | | | |
| 18 | . | . | the full width) | contient de diverses fittings. | | X | X | | | | |
| 19 | . | . | the full width) | contient de diverses fittings. | | X | X | | | | |
| 20 | . | . | the full width) | contient de diverses fittings. | | X | X | | | | |
| 22 | . | . | the full width) | contient de diverses fittings. | | X | X | | | | |
| 23 | . | . | the full width) | contient de diverses fittings. | | X | X | | | | |
| 24 | . | . | the full width) | contient de diverses fittings. | | X | X | | | | |
| 25 | . | . | the full width) | contient de diverses fittings. | | X | X | | | | |
| 28 | . | . | the full width) | contient de diverses fittings. | | X | X | | | | |
| 29 | . | . | the full width) | contient de diverses fittings. | | X | X | | | | |
| 30 | . | . | the full width) | contient de diverses fittings. | | X | X | | | | |
| 31 | . | . | the full width) | contient de diverses fittings. | | X | X | | | | |
| 32 | . | . | the full width) | contient de diverses fittings. | | X | X | | | | |
| 33 | . | . | the full width) | contient de diverses fittings. | | X | X | | | | |
| 34 | . | . | the full width) | contient de diverses fittings. | | X | X | | | | |
| 35 | . | . | the full width) | contient de diverses fittings. | | X | X | | | | |
| 36 | . | . | the full width) | contient de diverses fittings. | | X | X | | | | |
| 37 | . | . | the full width) | contient de diverses fittings. | | X | X | | | | |
| 38 | . | . | the full width) | contient de diverses fittings. | | X | X | | | | |
| 39 | . | . | the full width) | contient de diverses fittings. | | X | X | | | | |
| 40 | . | . | the full width) | contient de diverses fittings. | | X | X | | | | |
| 41 | . | . | the full width) | contient de diverses fittings. | | X | X | | | | |

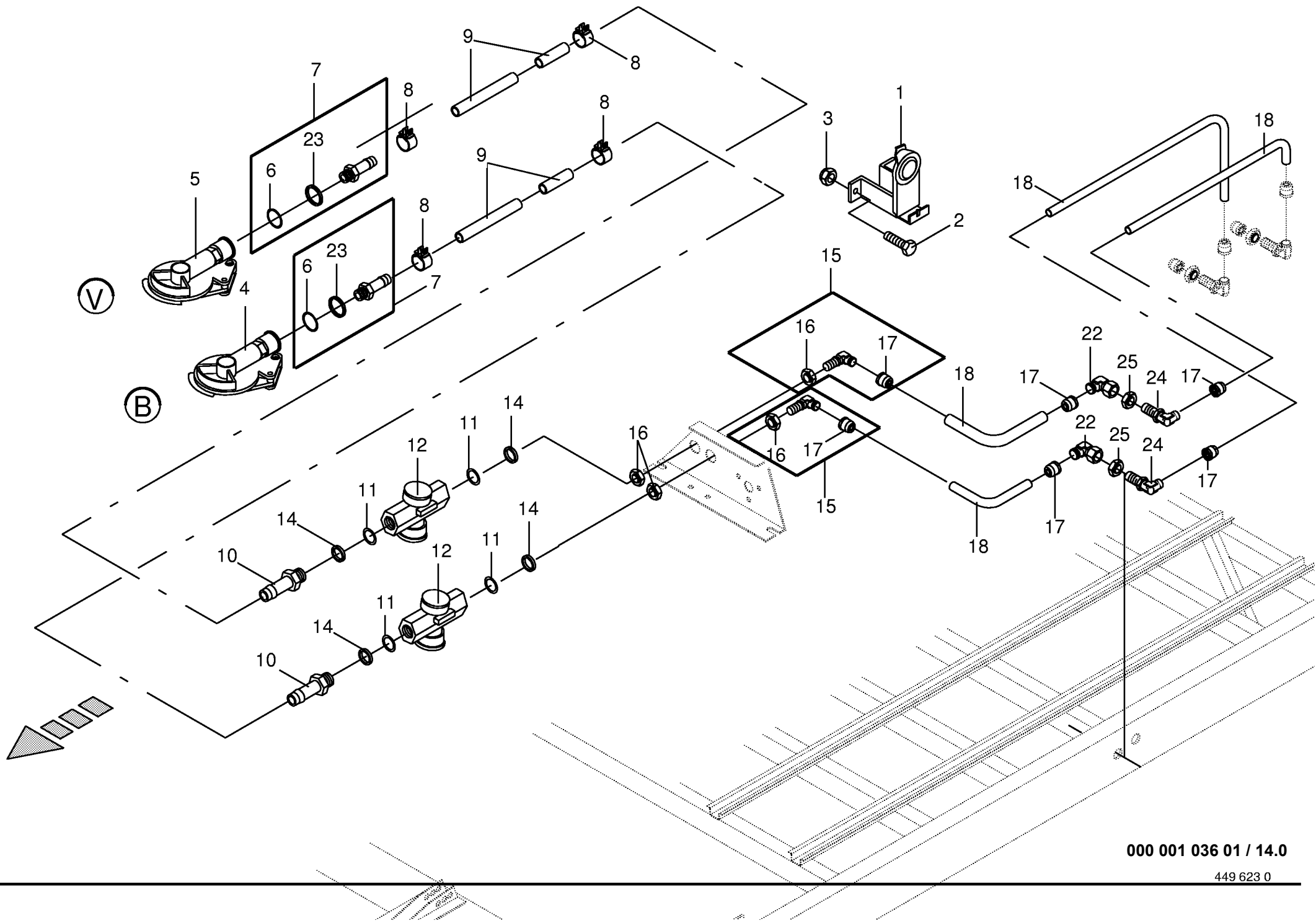


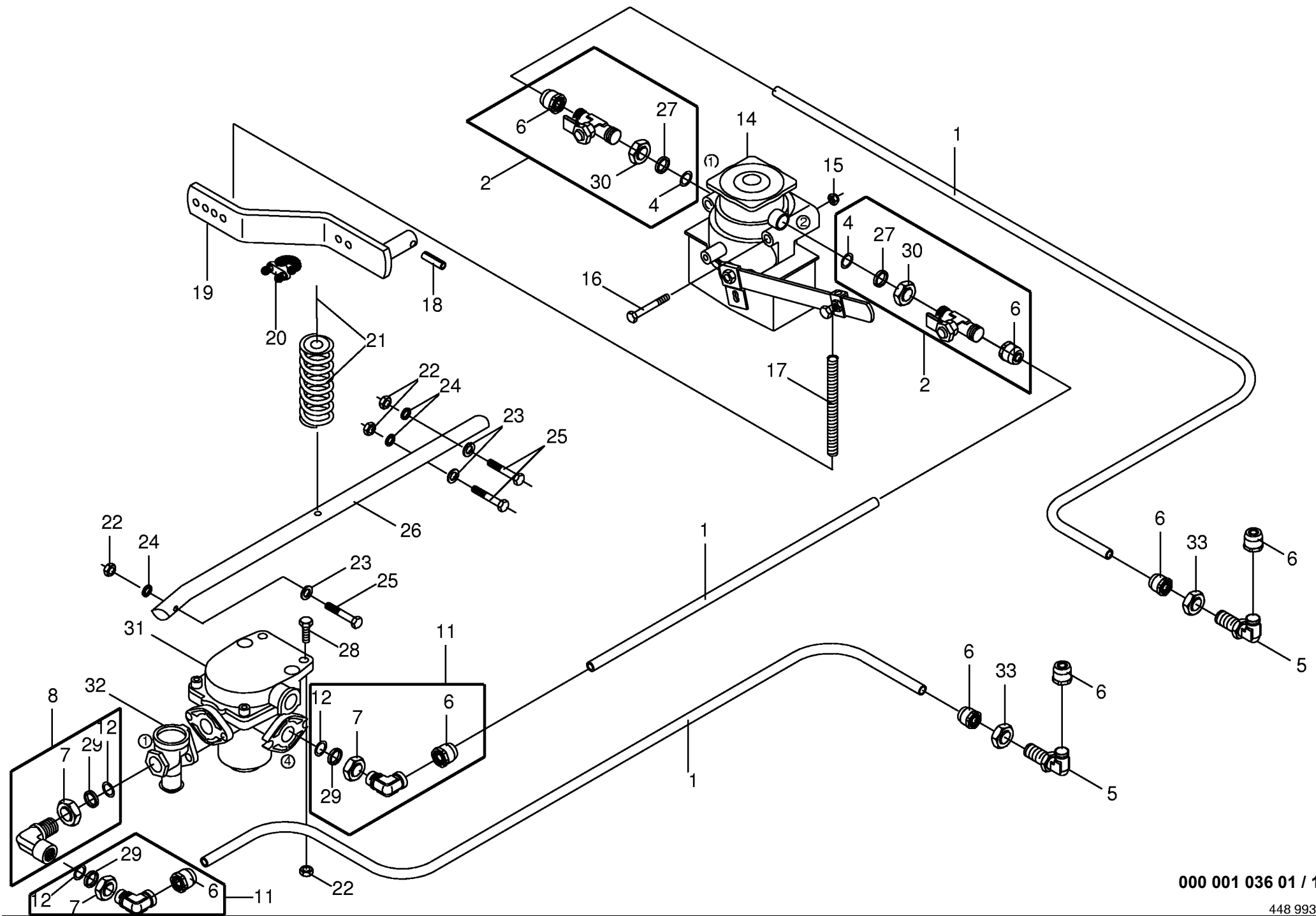
000 001 036 01 / 11.5

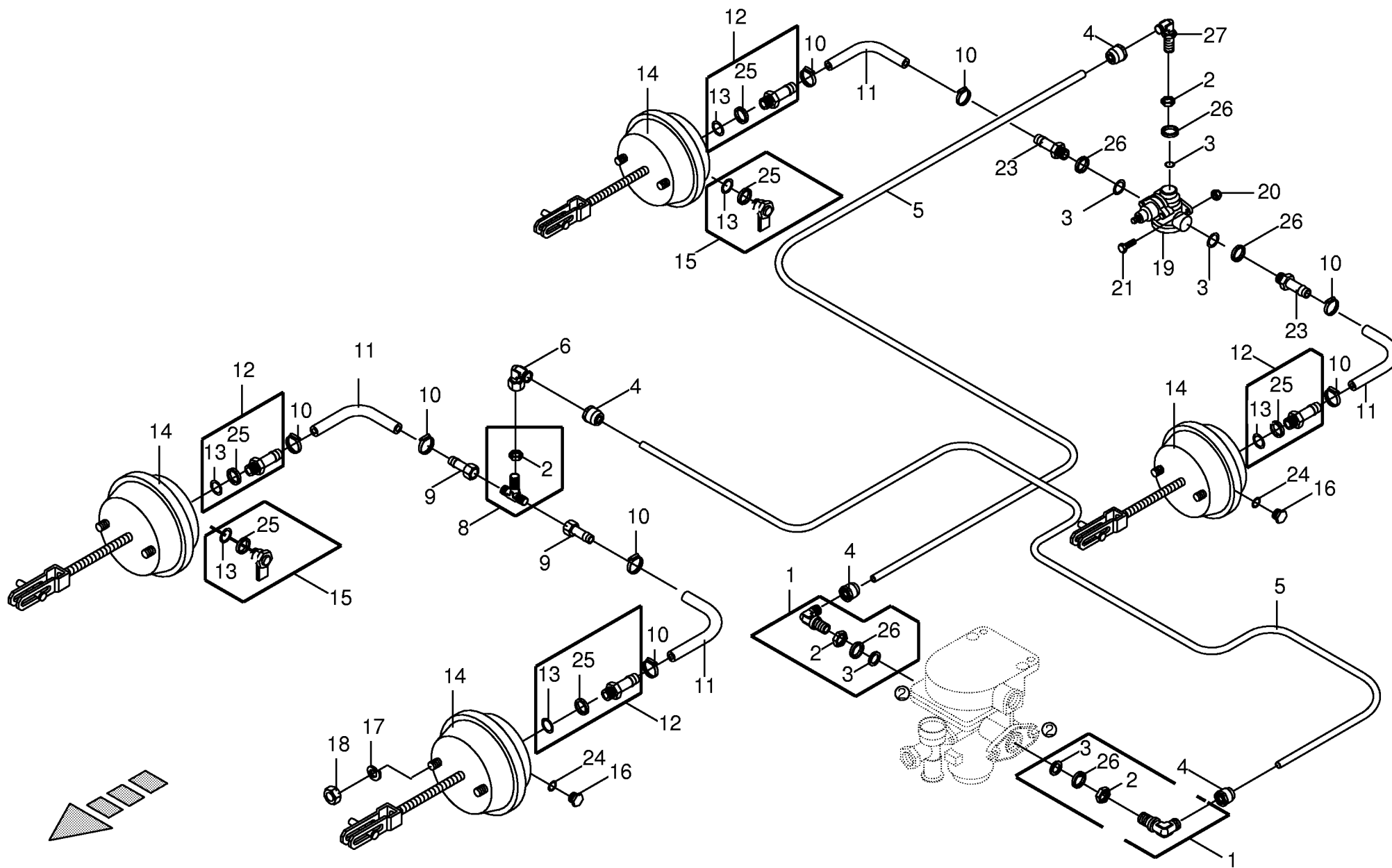
449 585 0

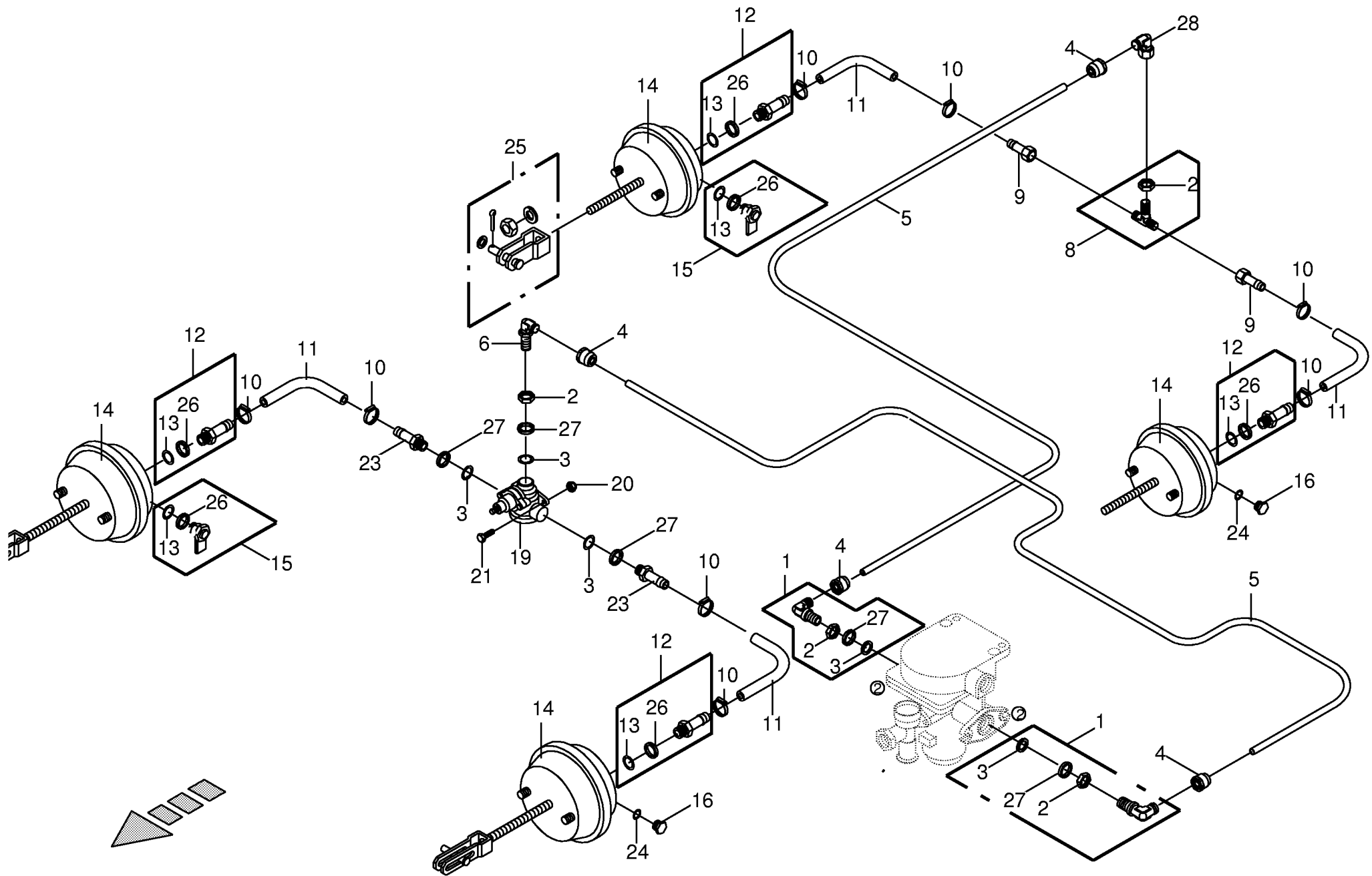


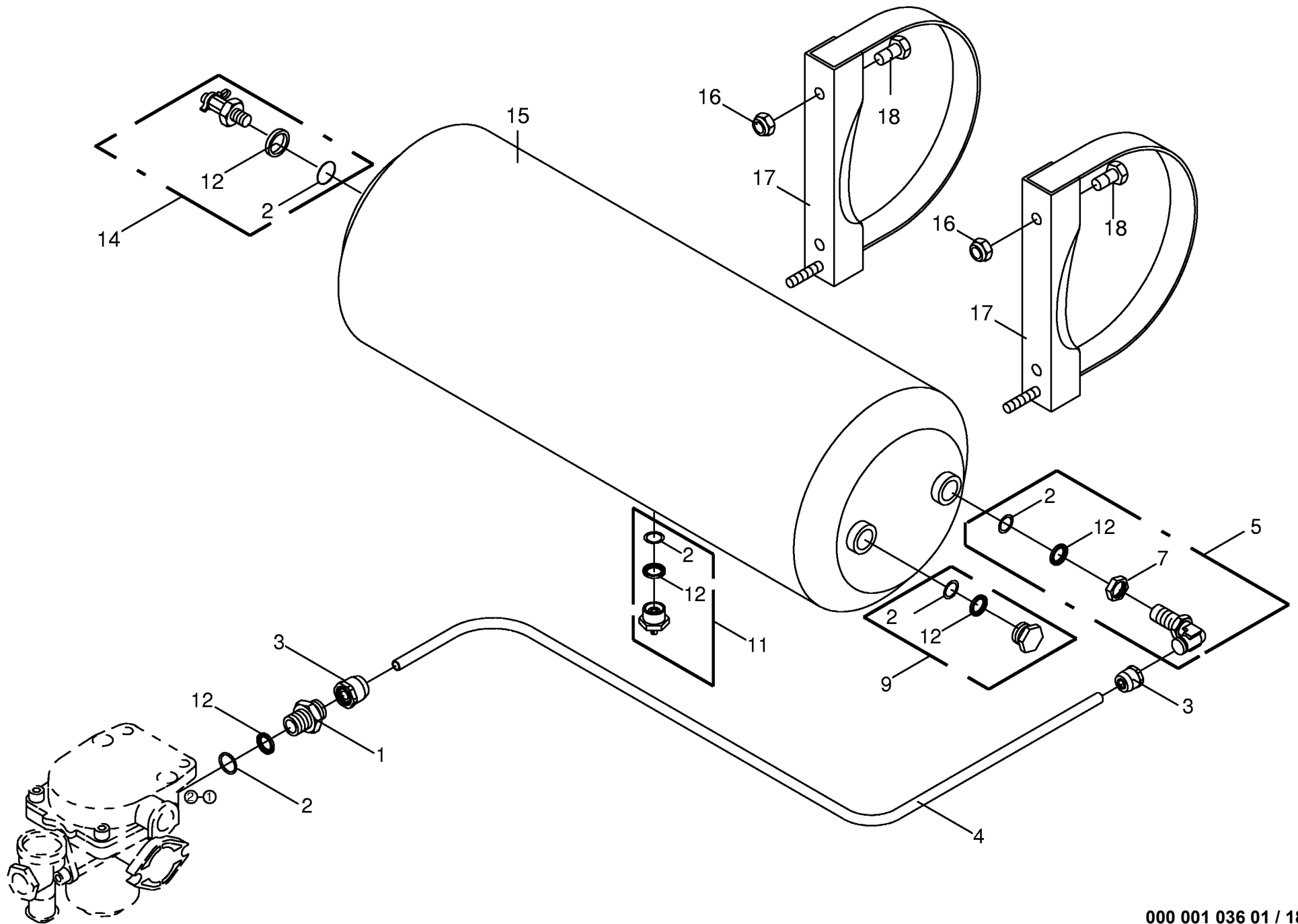






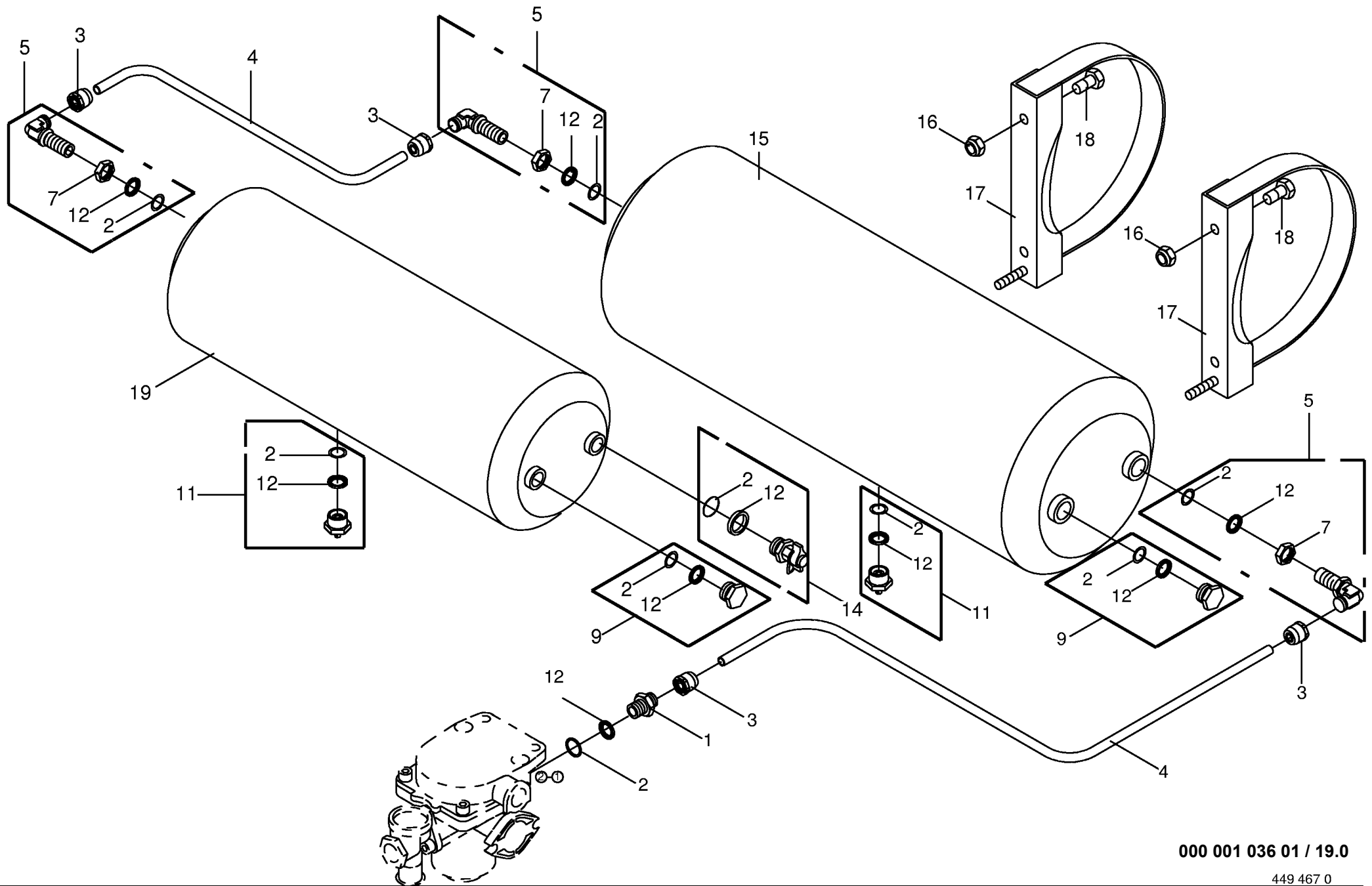


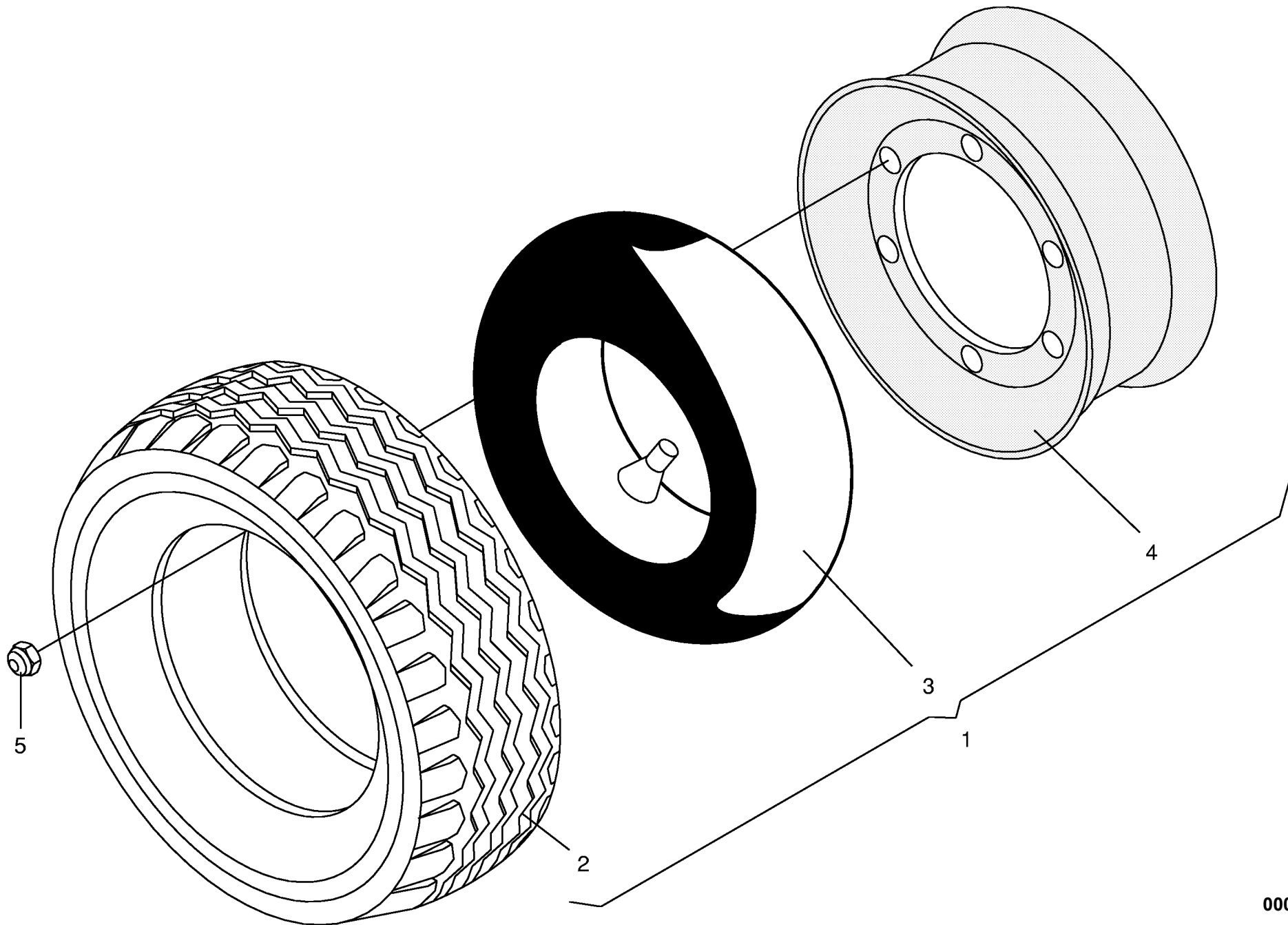


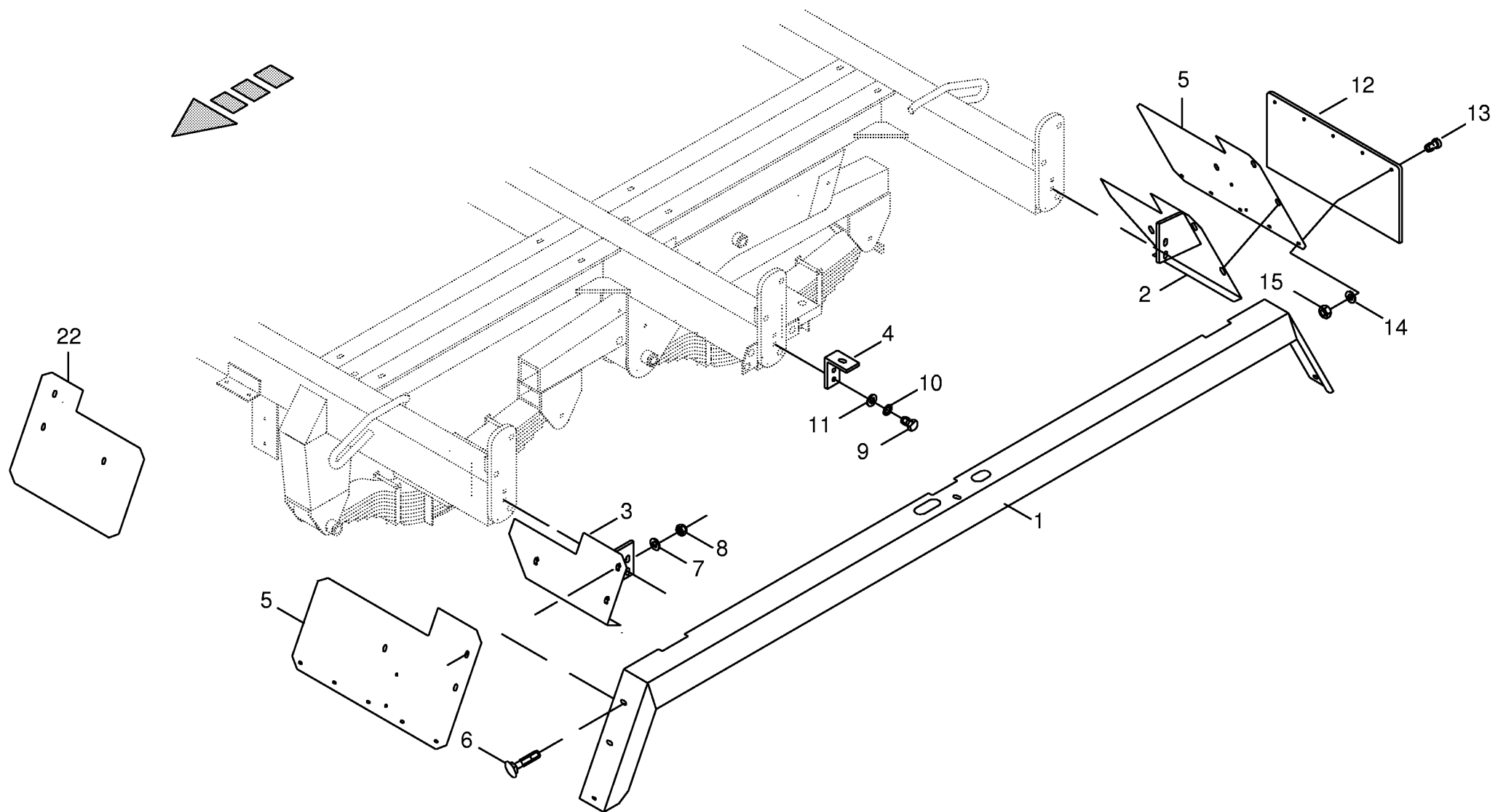


000 001 036 01 / 18.0

448 998 2

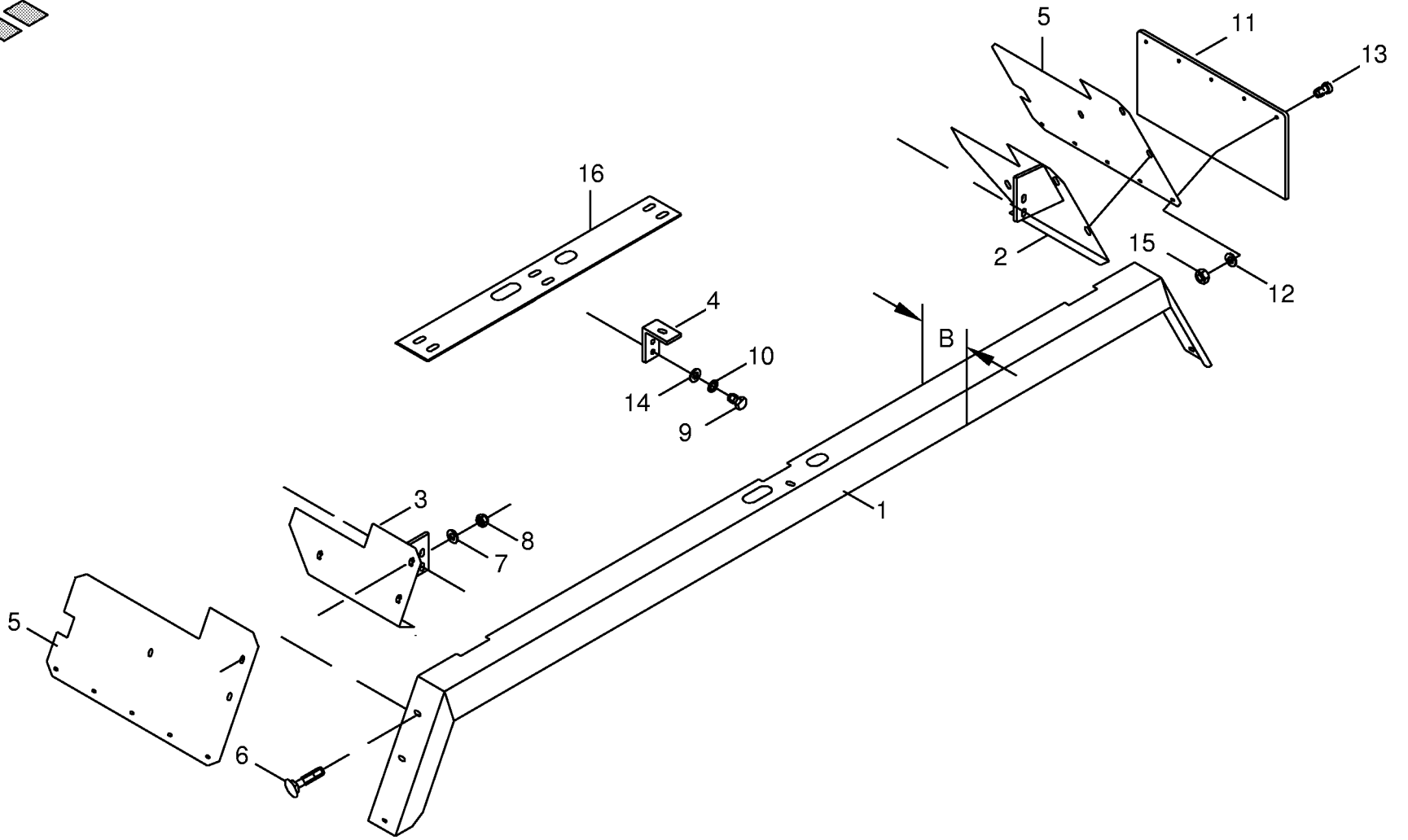
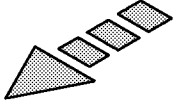


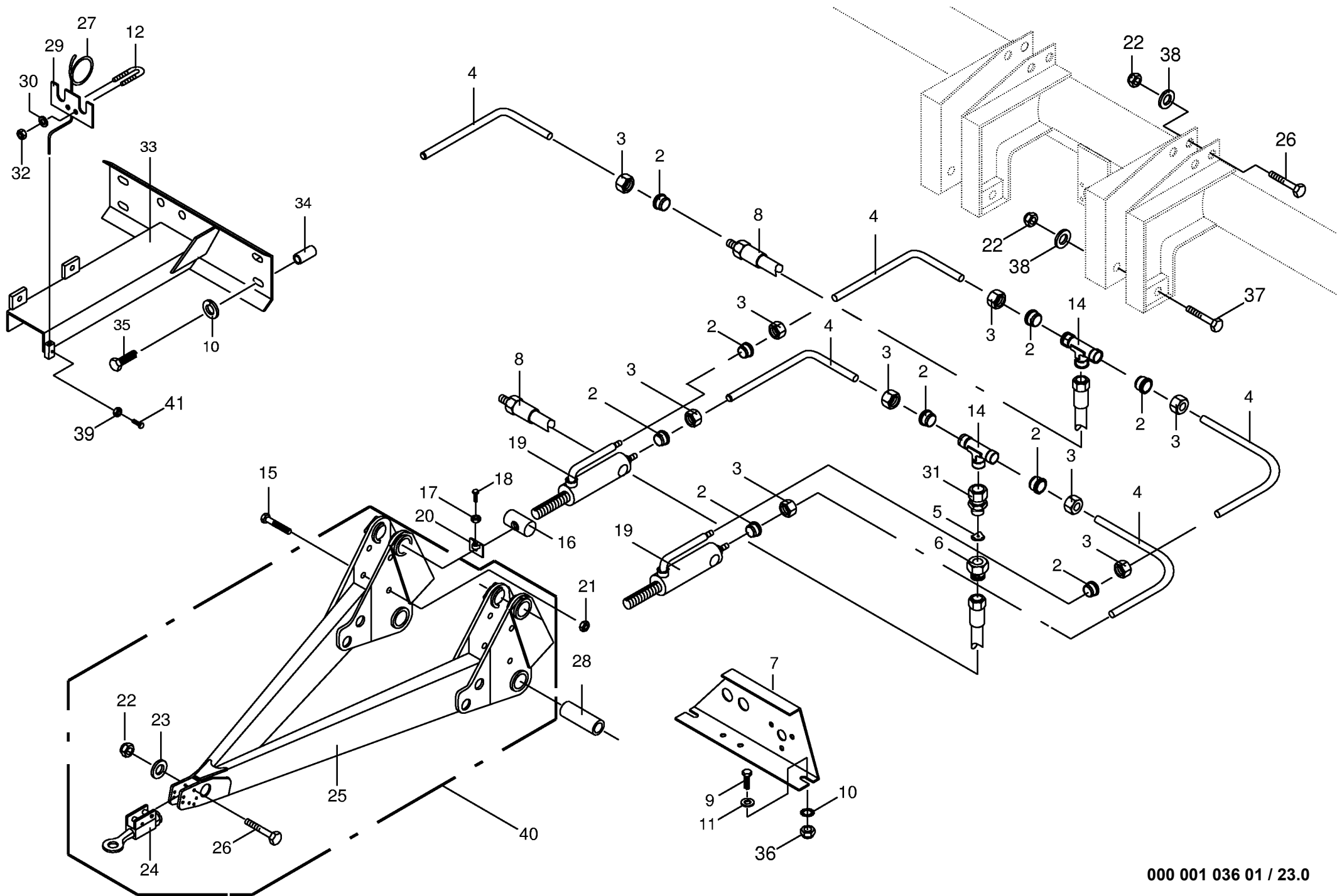




000 001 036 01 / 21.0

448 985 2

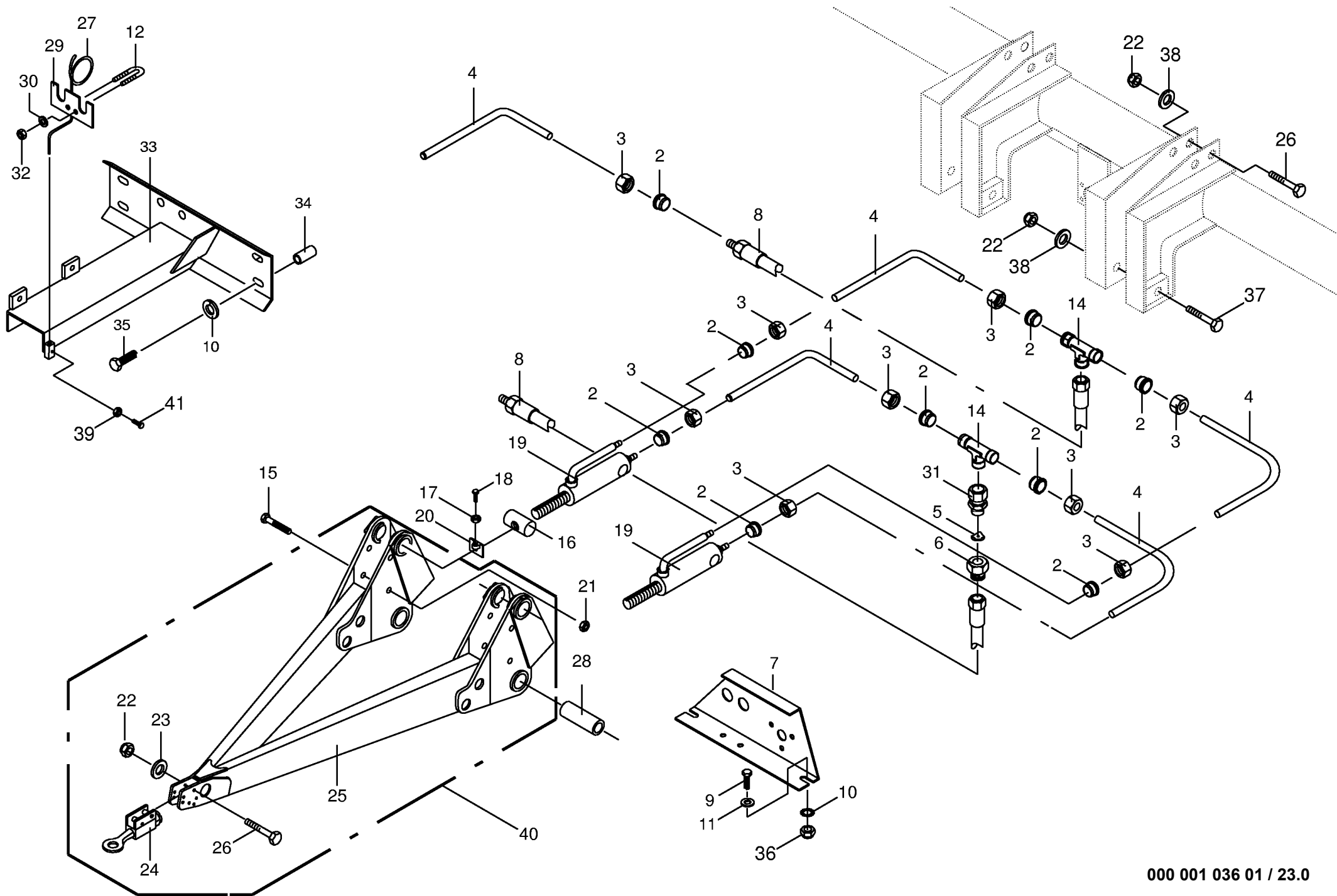




000 001 036 01 / 23.0

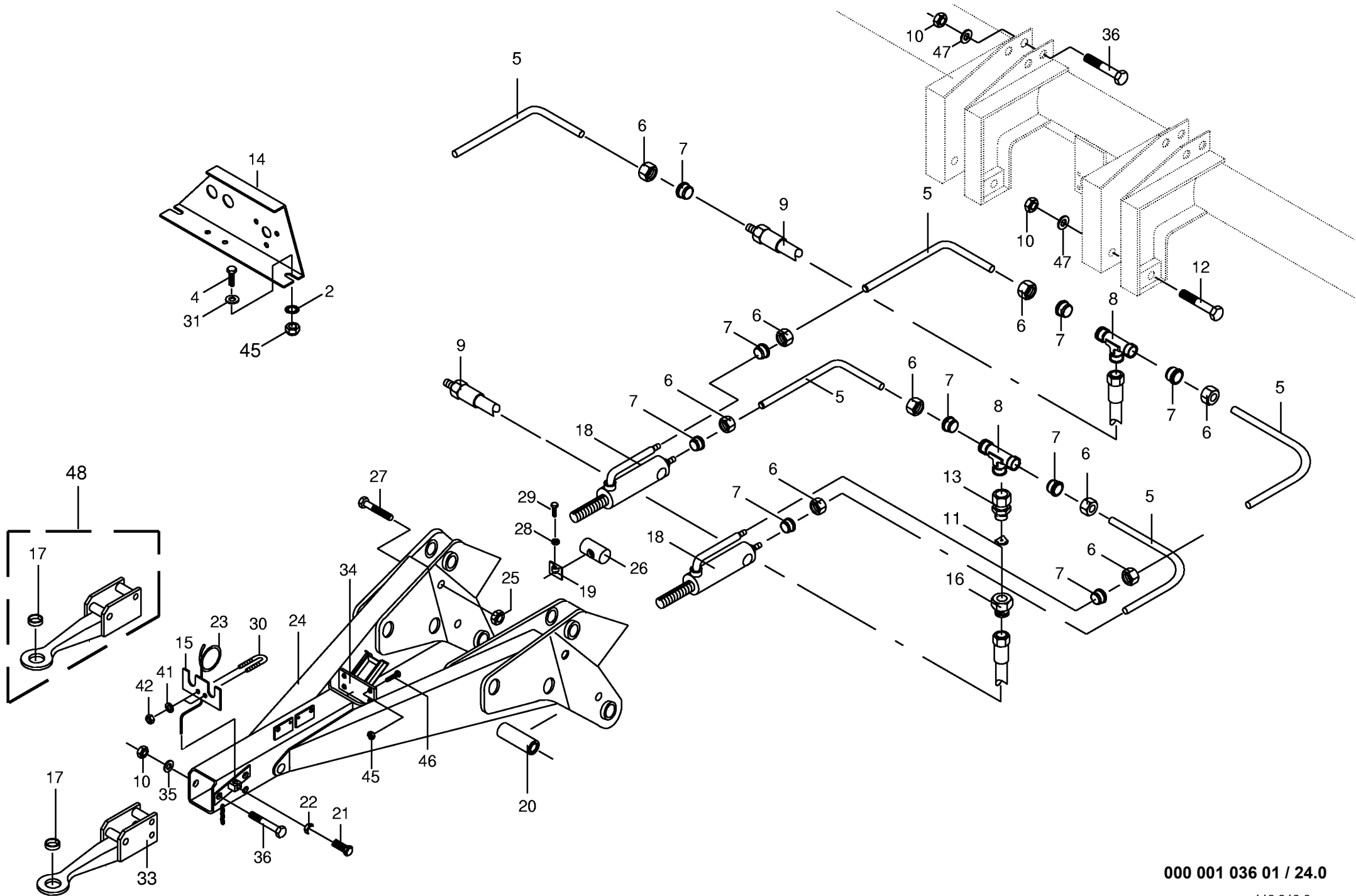
448 939 3

| Deichsel Hitch Drawbar hitch Timon hitch | | | | | 434400 - 486745 | 4 X L / R - G L | X X L / R - G L | | | | 000 001 036 01 |
|--|--------------|-------------------|---------------------|----------------------------|-----------------|--------------------------------------|--------------------------------------|--|--|----------------------------|----------------|
| | | | | | | | | | | 448 939 3 | 23.0 |
| Pos. | ID-Nr. | Benennung | Description | Description | Masch.-Nr- | | | | | Bemerkung/Remarks/Remarque | |
| 2 | 00 921 046 1 | Schneidring | Cutting ring | Baque coupante | | x | x | | | L 12 | |
| 3 | 00 921 206 0 | Überwurfmutter | Nozzle disc cap | Écrou de buse-pastille | | x | x | | | AL 12 | |
| 4 | 00 045 506 0 | Hydraulikrohr | Hydraulic pipe | Tube hydraulique | | x | x | | | 12 X 1,5 (ld.-Nr.=1 m) | |
| 5 | 00 920 904 0 | Drosselscheibe | Throttling disc | Disque d'etirement | | x | x | | | | |
| 6 | 00 276 337 1 | Einschraubstutzen | Male connector | Raccord filet | | x | x | | | (für Einseitige Drossel) | |
| 7 | 00 333 767 0 | Steckerhalter | Plug holder | Support de coupleurs males | | x | x | | | | |
| 8 | 00 921 001 0 | Hochdruckschlauch | High pressure hose | Flexible | | x | x | | | lg.= 600 | |
| 9 | 00 900 632 0 | 6kt-Schraube | Hex head bolt | Boulon tête hex | | x | x | | | M 10 X 16 | |
| 10 | 00 909 909 1 | Sperrkantscheibe | Detent edged washer | Disque à bord d'arrêt | | x | x | | | SKM 10 | |
| 11 | 00 910 414 0 | Scheibe | Washer | Rondelle | | x | x | | | 10,5 X 21 X 2 | |
| 12 | 00 917 621 0 | Klemmbügel | Clamp | Piece de serrage | | x | x | | | | |
| 14 | 00 921 071 1 | T-Stutzen | T connector | Raccord T réglable | | x | x | | | L 12 | |
| 15 | 00 901 460 0 | 6kt-Schraube | Hex head bolt | Boulon tête hex | | x | x | | | M 12 X 100 | |
| 16 | 00 347 083 2 | Verstellstück | Adjustable fitting | Pièce de réglage | | x | x | | | | |
| 17 | 00 908 500 0 | 6kt-Mutter | Hex nut | Écrou hex | | x | x | | | M 10 | |
| 18 | 00 902 434 1 | 6kt-Schraube | Hex head bolt | Boulon tête hex | | x | x | | | BM 10 X 35 | |
| 19 | 00 334 148 0 | Hydro-Zylinder | Hydraulic cylinder | Vérin hydraulique | | x | x | | | Dz 60/75 X 125/355 | |
| | 00 918 726 0 | Dichtungssatz | Sealing set | Jeu de joints | | x | x | | | Büter | |
| 20 | 00 344 631 4 | Haltestück | Holding piece | Pièce de retenue | | x | x | | | | |
| 21 | 00 908 701 0 | Sicherungsmutter | Securing nut | Écrou-frein | | x | x | | | M 12 | |
| 22 | 00 908 730 0 | Sicherungsmutter | Hex nut | Ecrou 6 pans | | x | x | | | M 30 | |
| 23 | 00 910 344 0 | Scheibe | Washer | Rondelle | | x | x | | | 31 X 68 X 10 | |
| 24 | 00 334 207 0 | Hitch-Zugöse | Hitch | Anneau d'attelage | | x | x | | | | |
| 25 | 00 334 260 0 | Deichsel Hitch | Drawbar hitch | Timon hitch | | x | x | | | | |
| 26 | 00 339 880 0 | 6kt-Schraube | Hex head bolt | Boulon tête hex | | x | x | | | M 30 X 170 | |
| 27 | 00 344 702 2 | Schlauchhalter | Hose support | Support de tuyau | | x | x | | | | |
| 28 | 00 347 080 1 | Distanzrohr | Distance tube | Entretoise d'écartement | | x | x | | | | |
| 29 | 00 334 191 0 | Steckerhalter | Plug holder | Support de coupleurs males | | x | x | | | | |
| 30 | 00 909 908 0 | Sperrkantscheibe | Detent edged washer | Disque à bord d'arrêt | | x | x | | | SKM 8 | |
| 31 | 00 921 093 1 | Einschraubstutzen | Male connector | Raccord filet | | x | x | | | M 18 X 1,5 | |
| 32 | 00 908 210 0 | 6kt-Mutter | Hex nut | Écrou hex | | x | x | | | M 8 | |
| 33 | 00 344 566 5 | Konsole | Console | Console | | x | x | | | | |
| 34 | 00 331 042 0 | Rohr | Tube | Tube | | x | x | | | | |
| 35 | 00 901 439 1 | 6kt-Schraube | Hex head bolt | Boulon tête hex | | x | x | | | M 10 X 90 | |
| 36 | 00 908 758 0 | Sicherungsmutter | Securing nut | Écrou-frein | | x | x | | | M 10 | |
| 37 | 00 339 879 0 | 6kt-Schraube | Hex head bolt | Boulon tête hex | | x | x | | | M 30 X 190 | |
| 38 | 00 910 515 2 | Scheibe | Washer | Rondelle | | x | x | | | 31 X 56 X 4 | |
| 39 | 00 908 212 0 | 6kt-Mutter | Hex nut | Écrou hex | | x | x | | | M 10 | |



000 001 036 01 / 23.0

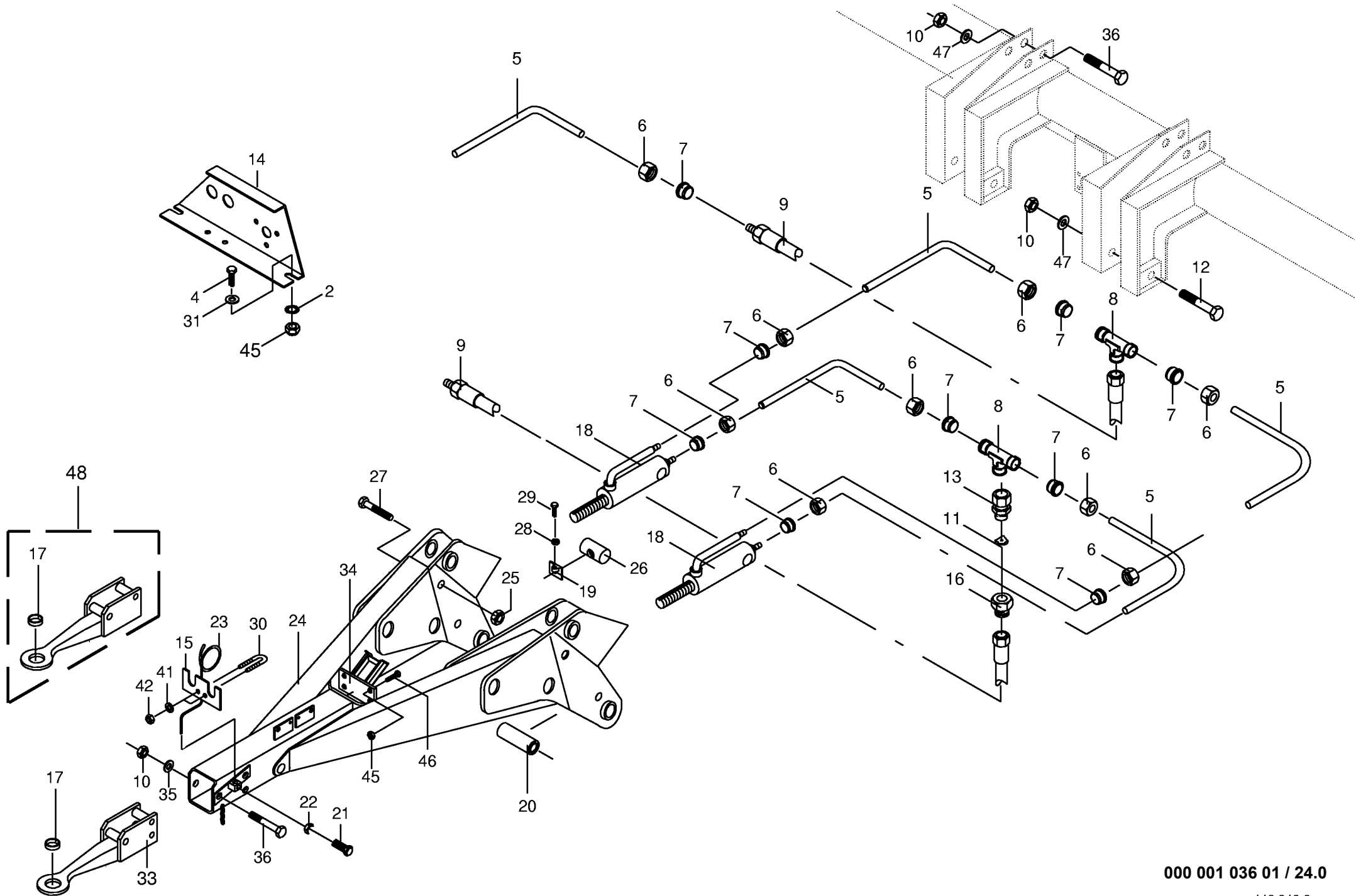
448 939 3



000 001 036 01 / 24.0

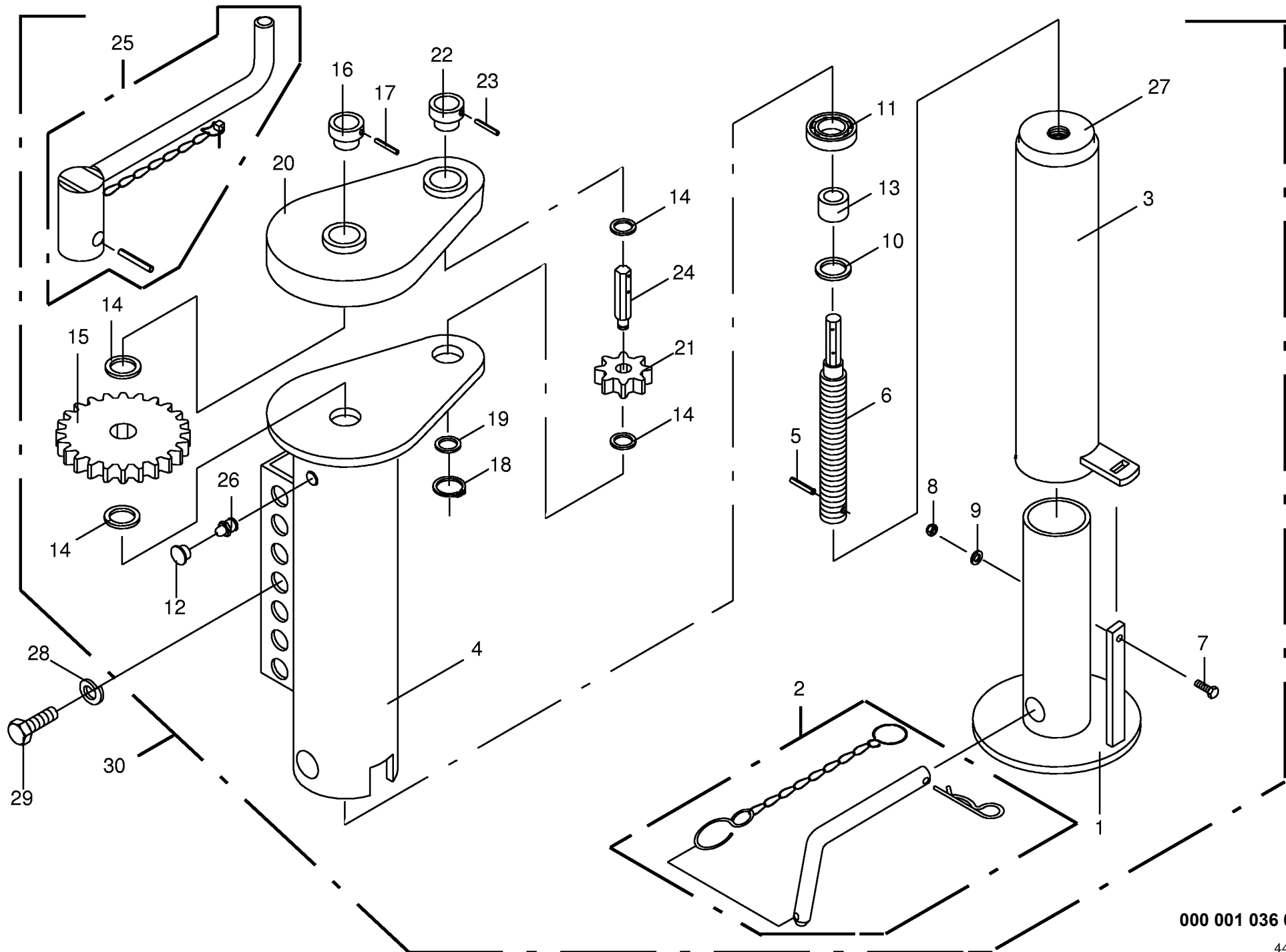
448 940 3

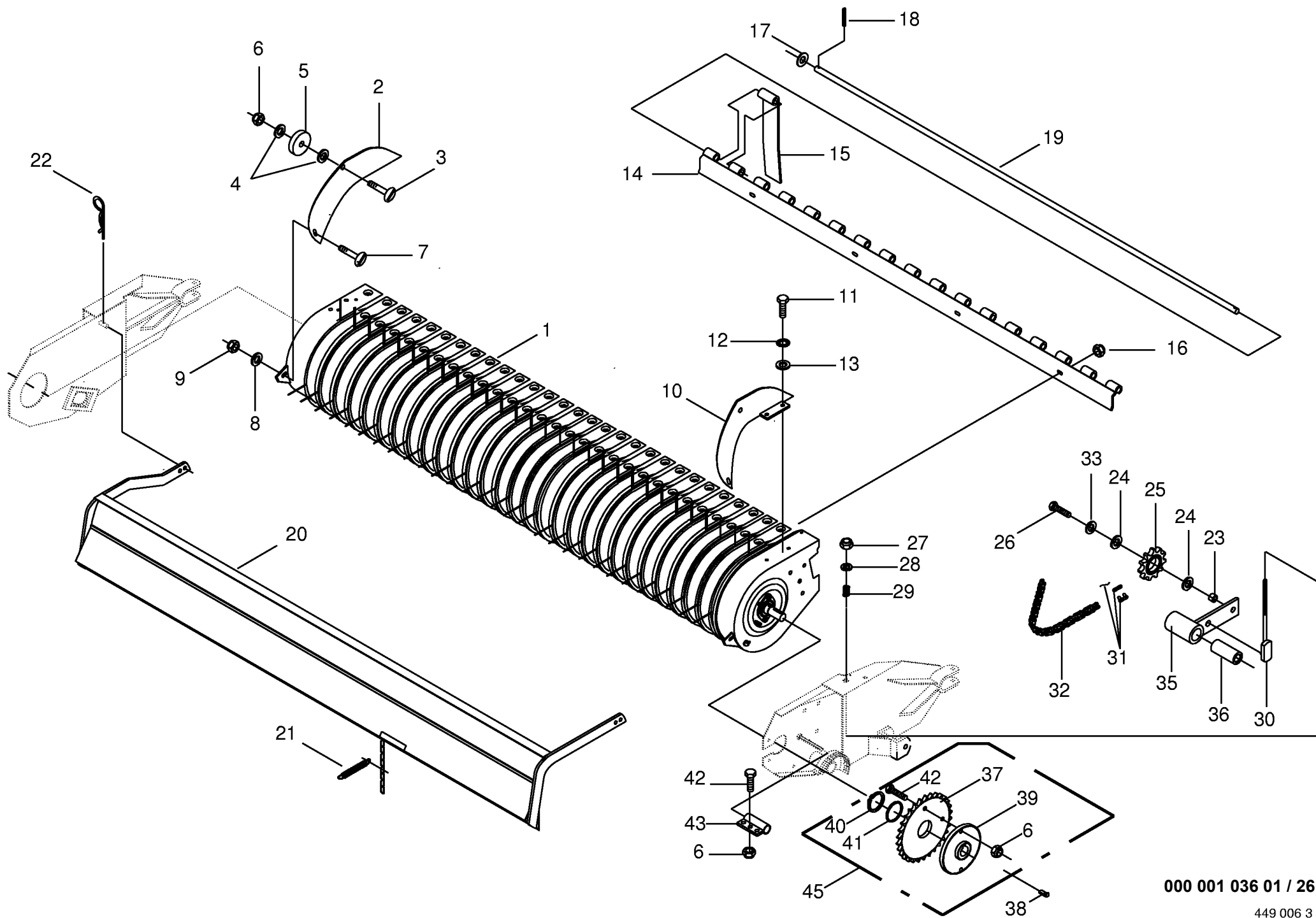
| Zuggabel m. geschr. Zugöse Drawbar Chape d attelage | | | | | 434400 - 486745 | 4 X L / R - G L | X X L / R - G L | | | 000 001 036 01 |
|---|--------------|---------------------|--------------------------|-----------------------------|-----------------|--------------------------------------|--------------------------------------|--|--|----------------------------|
| Pos. | ID-Nr. | Benennung | Description | Description | Masch.-Nr- | | | | | 448 940 3 24.0 |
| | | | | | | | | | | Bemerkung/Remarks/Remarque |
| 2 | 00 909 909 1 | Sperrkantscheibe | Detent edged washer | Disque à bord d'arrêt | | x | x | | | SKM 10 |
| 4 | 00 900 632 0 | 6kt-Schraube | Hex head bolt | Boulon tête hex | | x | x | | | M 10 X 16 |
| 5 | 00 045 506 0 | Hydraulikrohr | Hydraulic pipe | Tube hydraulique | | x | x | | | 12 X 1,5 (ld.-Nr.=1 m) |
| 6 | 00 921 206 0 | Überwurfmutter | Nozzle disc cap | Écrou de buse-pastille | | x | x | | | AL 12 |
| 7 | 00 921 046 1 | Schneidring | Cutting ring | Baque coupante | | x | x | | | L 12 |
| 8 | 00 921 071 1 | T-Stutzen | T connector | Raccord T réglable | | x | x | | | L 12 |
| 9 | 00 921 001 0 | Hochdruckschlauch | High pressure hose | Flexible | | x | x | | | lg.= 600 |
| 10 | 00 908 730 0 | Sicherungsmutter | Hex nut | Ecrou 6 pans | | x | x | | | M 30 |
| 11 | 00 920 904 0 | Drosselscheibe | Throttling disc | Disque d'etirement | | x | x | | | |
| 12 | 00 339 879 0 | 6kt-Schraube | Hex head bolt | Boulon tête hex | | x | x | | | M 30 X 190 |
| 13 | 00 921 093 1 | Einschraubstutzen | Male connector | Raccord filet | | x | x | | | M 18 X 1,5 |
| 14 | 00 333 767 0 | Steckerhalter | Plug holder | Support de coupleurs males | | x | x | | | |
| 15 | 00 334 191 0 | Steckerhalter | Plug holder | Support de coupleurs males | | x | x | | | |
| 16 | 00 276 337 1 | Einschraubstutzen | Male connector | Raccord filet | | x | x | | | (für Einseitige Drossel) |
| 17 | 00 928 207 0 | Buchse für Zuggabel | Bushing for clevis hitch | Douille pour chape d'atell. | | x | x | | | 40/50 X 33,5 |
| 18 | 00 334 148 0 | Hydro-Zylinder | Hydraulic cylinder | Vérin hydraulique | | x | x | | | Dz 60/75 X 125/355 |
| | 00 918 726 0 | Dichtungssatz | Sealing set | Jeu de joints | | x | x | | | Büter |
| 19 | 00 344 631 4 | Haltestück | Holding piece | Pièce de retenue | | x | x | | | |
| 20 | 00 347 080 1 | Distanzrohr | Distance tube | Entretoise d'écartement | | x | x | | | |
| 21 | 00 900 636 0 | 6kt-Schraube | Hex head bolt | Boulon tête hex | | x | x | | | M 10 X 25 |
| 22 | 00 908 212 0 | 6kt-Mutter | Hex nut | Écrou hex | | x | x | | | M 10 |
| 23 | 00 344 702 2 | Schlauchhalter | Hose support | Support de tuyau | | x | x | | | |
| 24 | 00 334 671 0 | Zuggabel | Trailer hitch | Forche de traction | | x | x | | | |
| 25 | 00 908 701 0 | Sicherungsmutter | Securing nut | Écrou-frein | | x | x | | | M 12 |
| 26 | 00 347 083 2 | Verstellstück | Adjustable fitting | Pièce de réglage | | x | x | | | |
| 27 | 00 901 460 0 | 6kt-Schraube | Hex head bolt | Boulon tête hex | | x | x | | | M 12 X 100 |
| 28 | 00 908 500 0 | 6kt-Mutter | Hex nut | Écrou hex | | x | x | | | M 10 |
| 29 | 00 902 434 1 | 6kt-Schraube | Hex head bolt | Boulon tête hex | | x | x | | | BM 10 X 35 |
| 30 | 00 917 621 0 | Klemmbügel | Clamp | Pièce de serrage | | x | x | | | |
| 31 | 00 910 414 0 | Scheibe | Washer | Rondelle | | x | x | | | |
| 33 | 00 334 618 0 | Zugöse | O-hitch | Oeillet d'attelage | | x | x | | | 10,5 X 21 X 2 |
| 34 | 00 334 708 0 | Konsole | Console | Console | | x | x | | | incl. Pos. 17 |
| 35 | 00 910 344 0 | Scheibe | Washer | Rondelle | | x | x | | | 31 X 68 X 10 |
| 36 | 00 339 880 0 | 6kt-Schraube | Hex head bolt | Boulon tête hex | | x | x | | | M 30 X 170 |
| 41 | 00 909 908 0 | Sperrkantscheibe | Detent edged washer | Disque à bord d'arrêt | | x | x | | | SKM 8 |
| 42 | 00 908 210 0 | 6kt-Mutter | Hex nut | Écrou hex | | x | x | | | M 8 |
| 45 | 00 908 758 0 | Sicherungsmutter | Securing nut | Écrou-frein | | x | x | | | M 10 |
| 46 | 00 900 637 0 | 6kt-Schraube | Hex head bolt | Boulon tête hex | | x | x | | | M 10 X 30 |



000 001 036 01 / 24.0

448 940 3

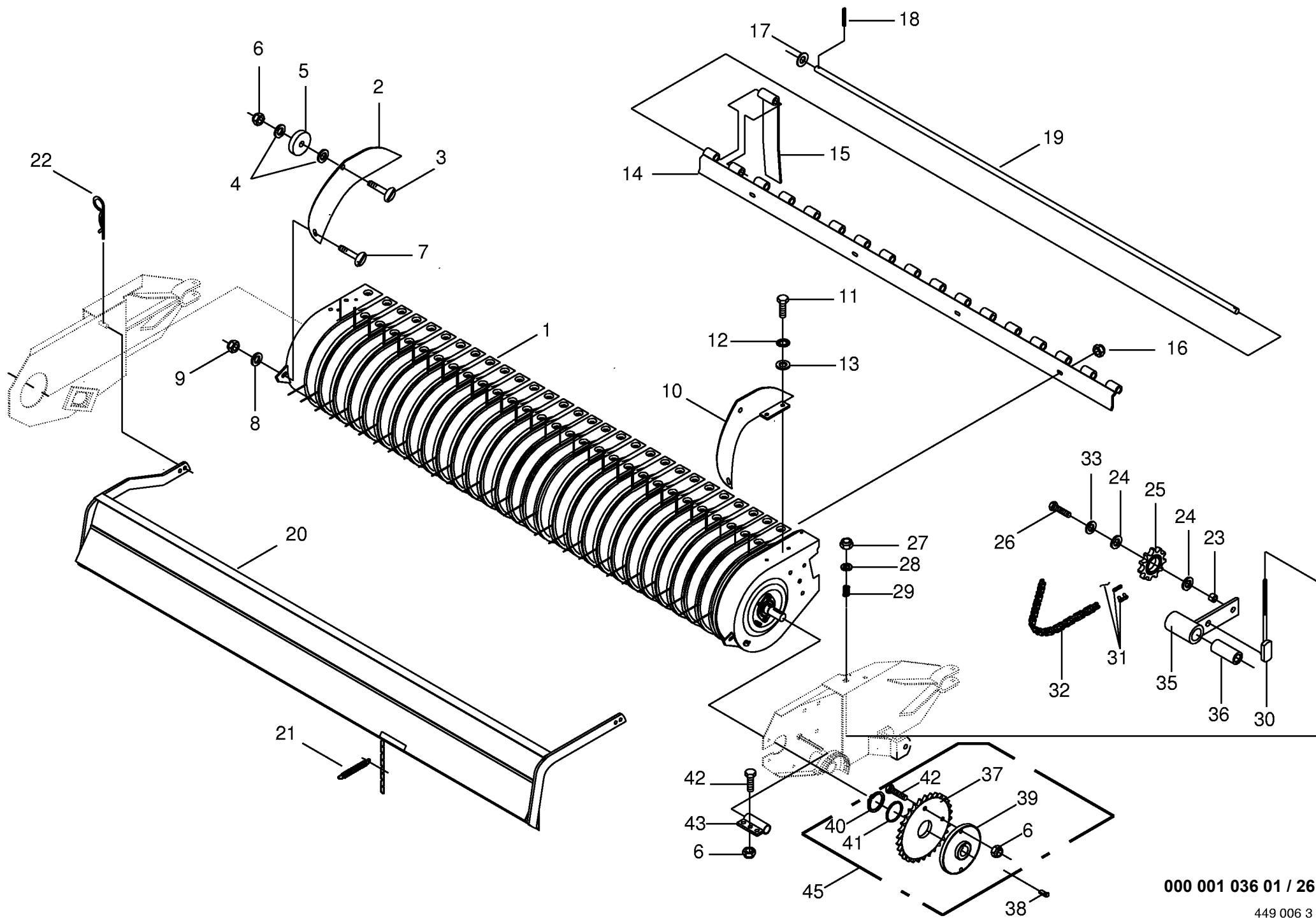




000 001 036 01 / 26.0

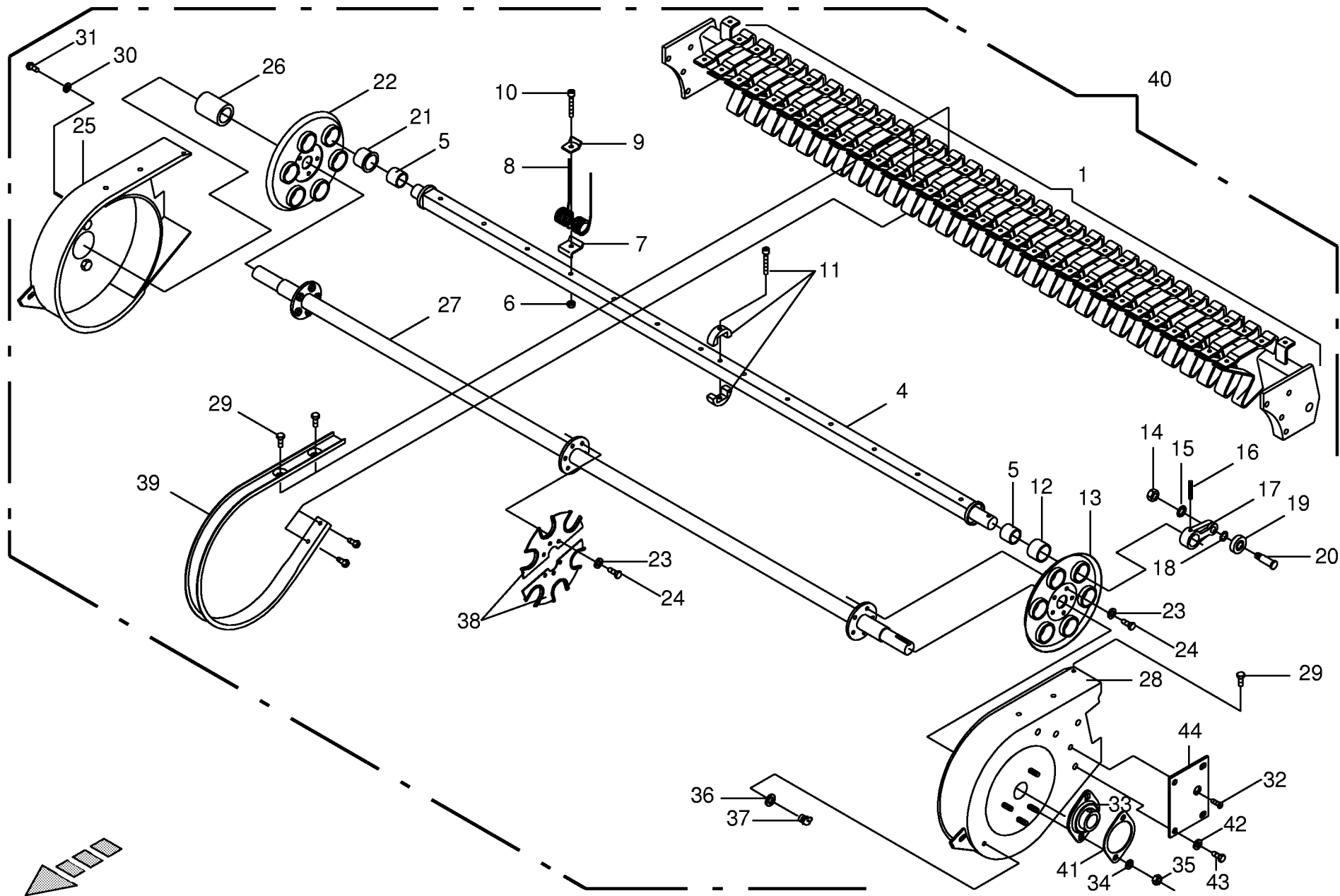
449 006 3

| Pick-up kpl. - mit Zubehör | | | | | 434400 - 486745 | 4 X L / R - G L | X X L / R - G L | | | | 000 001 036 01 | |
|----------------------------|--------------|-----------------------------|---------------------|------------------------|-----------------|--------------------------------------|--------------------------------------|--|--|--|----------------------------|--|
| Pick-up cpl. | | | | | | | | | | | 449 006 3 | |
| Pos. | ID-Nr. | Benennung | Description | Description | Masch.-Nr- | | | | | | Bemerkung/Remarks/Remarque | |
| 1 | 00 334 924 0 | Pick-up kpl. | Pick up cpl | Pick up cpl | | x | x | | | | | |
| 2 | 00 336 682 0 | Einführblech rechts | Imput plate RH | Tole de guidage droit | | x | x | | | | | |
| 3 | 00 905 232 0 | Flachrundschaube | Flat round bolt | Vis a tête bombée | | x | x | | | | M 8 X 25 | |
| 4 | 00 910 603 0 | Scheibe | Washer | Rondelle | | x | x | | | | 8,4 X 24 X 2 | |
| 5 | 00 347 212 1 | Gummironde | Rubber | Rondelle caoutchouc | | x | x | | | | | |
| 6 | 00 908 706 0 | Sicherungsmutter | Hex nut | Ecrou hex | | x | x | | | | M 8 | |
| 7 | 00 905 231 0 | Flachrundschaube | Flat round bolt | Vis a tête bombée | | x | x | | | | M 8 X 20 | |
| 8 | 00 910 413 0 | Scheibe | Washer | Rondelle | | x | x | | | | 8,4 X 17 X 1,6 | |
| 9 | 00 908 707 0 | Sicherungsmutter | Hex nut | Ecrou 6 pans | | x | x | | | | M 8 | |
| 10 | 00 332 067 0 | Einführblech links | Imput plate LH | Tole de guidage gauche | | x | x | | | | | |
| 11 | 00 900 636 0 | 6kt-Schraube | Hex head bolt | Boulon tête hex | | x | x | | | | M 10 X 25 | |
| 12 | 00 909 909 1 | Sperrkantscheibe | Detent edged washer | Disque à bord d'arrêt | | x | x | | | | SKM 10 | |
| 13 | 00 910 414 0 | Scheibe | Washer | Rondelle | | x | x | | | | 10,5 X 21 X 2 | |
| 14 | 00 333 135 0 | Schiene | Flat steel | Acier plat | | x | x | | | | | |
| 15 | 00 333 136 0 | Übergangslamelle | Connecting plate | Plaque de raccord | | 16 | 16 | | | | | |
| 16 | 00 908 758 0 | Sicherungsmutter | Securing nut | Écrou-frein | | x | x | | | | M 10 | |
| 17 | 00 910 512 2 | Scheibe | Washer | Rondelle | | x | x | | | | 21 X 37 X 3 | |
| 18 | 00 912 641 2 | Spannhülse | Clamping sleeve | Douille de serrage | | x | x | | | | 6 X 30 | |
| 19 | 00 333 137 0 | Stange | Rod | Tringle | | x | x | | | | | |
| 20 | 00 334 934 0 | Prallblech | Baffle plate | Tôle de chicane | | x | x | | | | | |
| 21 | 00 341 914 0 | Zugfeder | Tension spring | Ressort tendeur | | x | x | | | | 3,5 X 21 X 170 | |
| 22 | 00 917 104 0 | Federstecker | Spring clip | Goupille elastique | | x | x | | | | | |
| 23 | 00 334 843 0 | Distanzring | Spacer ring | Bague d'ecartement | | x | x | | | | RD 26,9 X 5 X 14 | |
| 24 | 00 910 718 1 | Stützscheibe | Supporting disc | Rondelle diélectrique | | x | x | | | | S 20 X 28 X 2,0 | |
| 25 | 00 922 313 0 | Kettenrad | Chain wheel | Roue à chaîne | | x | x | | | | Z=13 T=3/4" | |
| 26 | 00 900 677 0 | 6kt-Schraube | Hex head bolt | Boulon tête hex | | x | x | | | | M 16 X 50 | |
| 27 | 00 908 701 0 | Sicherungsmutter | Securing nut | Écrou-frein | | x | x | | | | M 12 | |
| 28 | 00 910 506 1 | Scheibe | Washer | Rondelle | | x | x | | | | 13 X 24 X 2,5 | |
| 29 | 00 036 127 1 | Druckfeder | Pressure spring | Ressort de pression | | x | x | | | | 6 X 19 X 35 | |
| 30 | 00 333 263 0 | Spannschraube | Turnbuckle | Tendeur | | x | x | | | | | |
| 31 | 00 921 980 0 | Steckglied | Chain lock | Joint de chaine | | x | x | | | | 3/4" | |
| | 00 921 992 0 | Gekröpftes Glied mit Splint | Cranked link | Maillon coude | | x | x | | | | 3/4" | |
| 32 | 00 921 721 0 | Rollenkette | Roller chain | Chain à rouleaux | | x | x | | | | 3/4" X 102 Ro | |
| 33 | 00 911 522 0 | Sicherungsring | Circlip | Circlip | | x | x | | | | A 20 X 1,2 | |
| 35 | 00 273 856 0 | Spannarm | Tension arm | Levier tendeur | | x | x | | | | | |
| 36 | 00 934 910 0 | Lagerbuchse | Bearing bush | Coussinet | | x | x | | | | 2030 DU | |
| 37 | 00 333 795 0 | Kettenrad | Chain wheel | Roue à chaîne | | x | x | | | | Z=30 T=3/4" | |
| 38 | 00 915 543 0 | Nasenkeil | Gib-head key | Clavette a talon | | x | x | | | | 10 X 8 X 45 | |

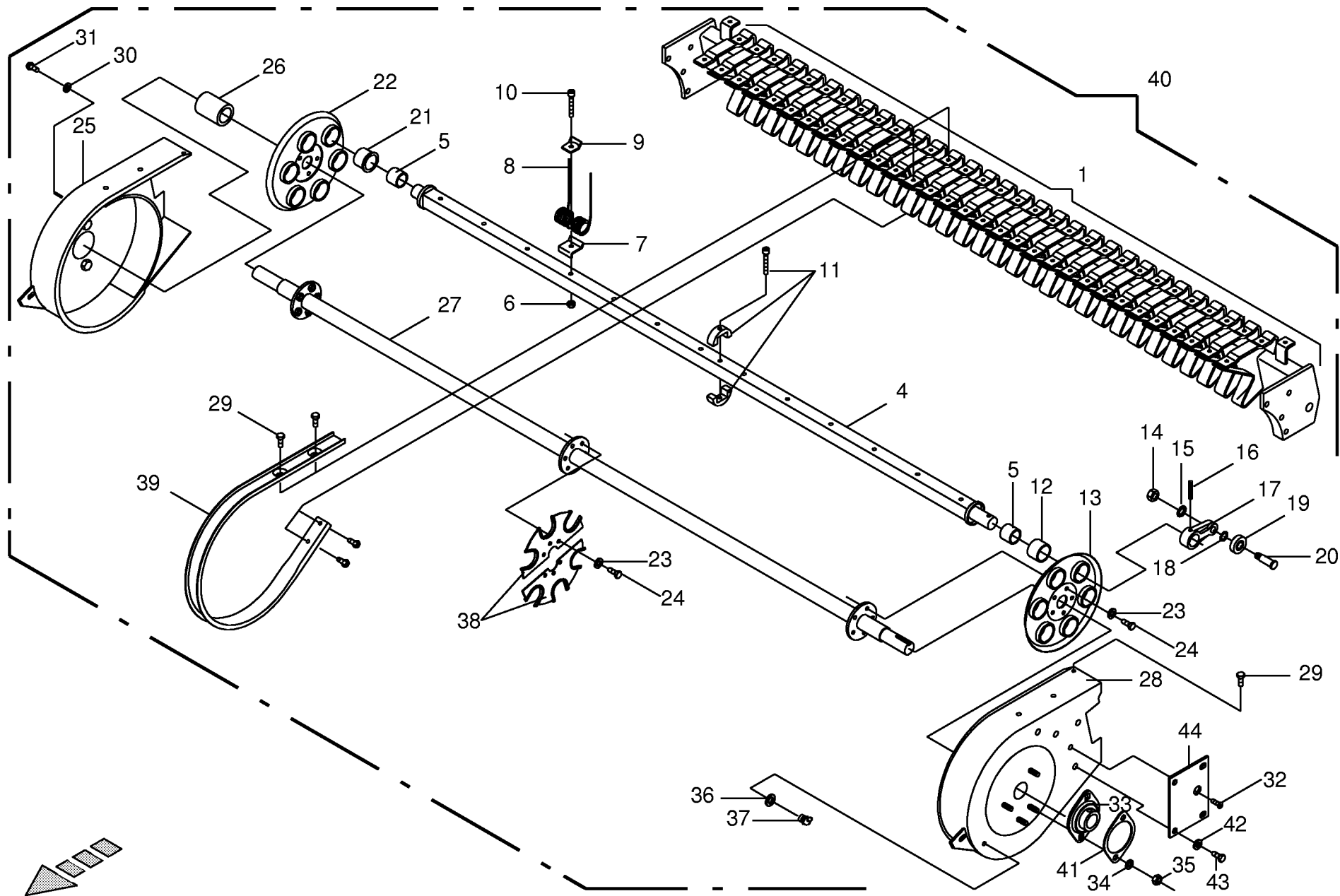


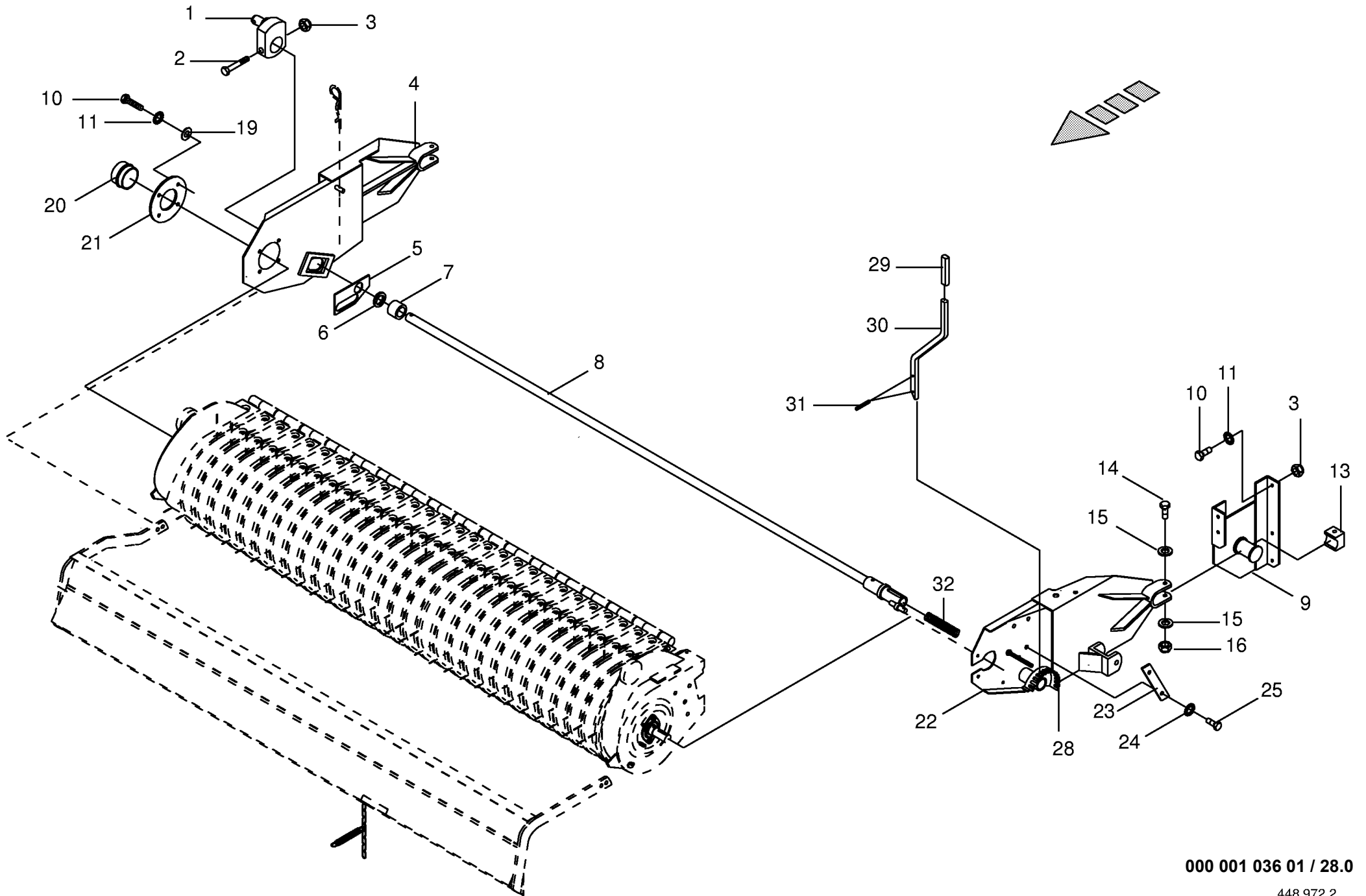
000 001 036 01 / 26.0

449 006 3



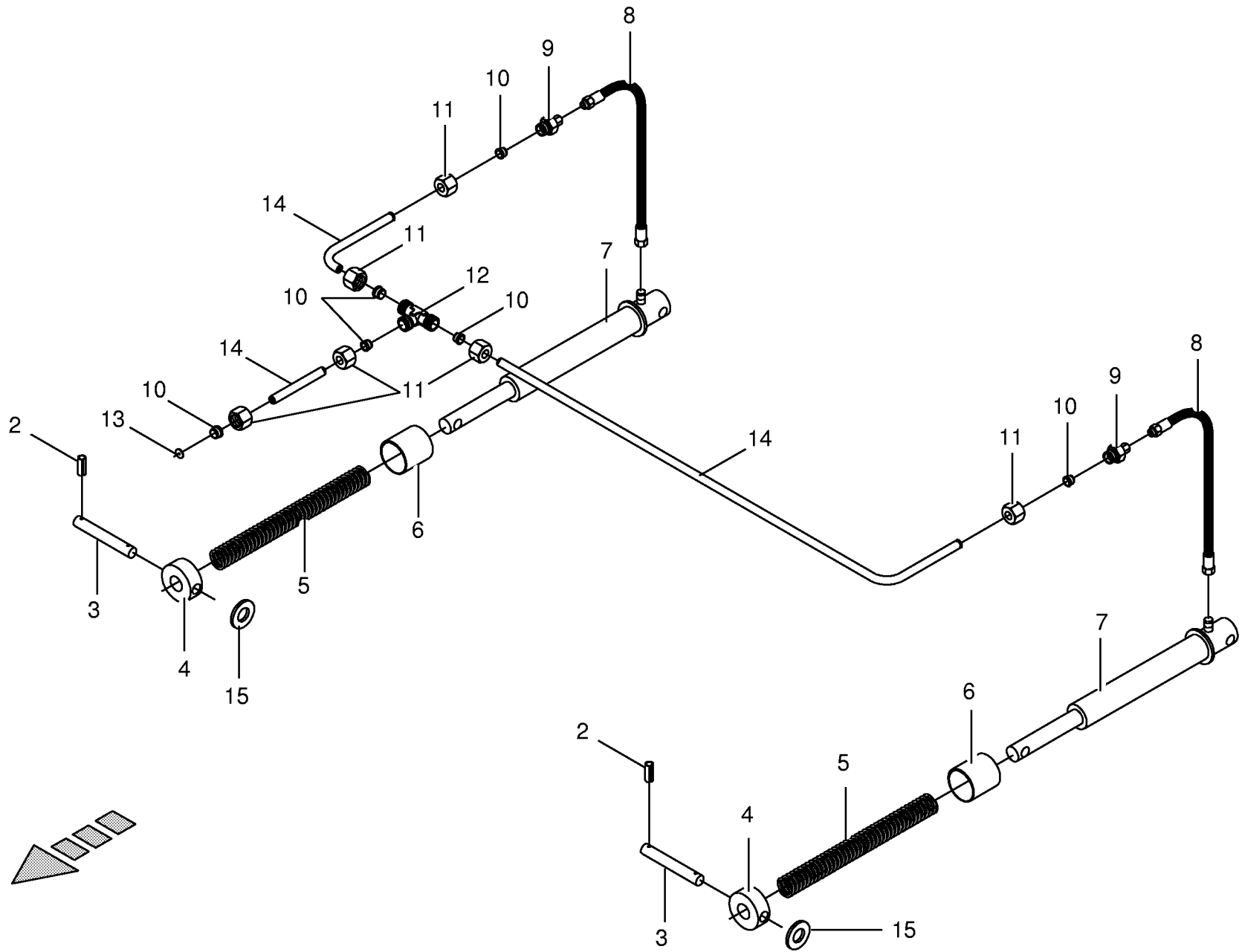
| Pick-up Pick-up Pick-up | | | | | 434400 - 486745 | 4 X L / R - G L | X X L / R - G L | | | | 000 001 036 01 |
|-------------------------------|--------------|-----------------------|------------------|----------------------------|-----------------|--------------------------------------|--------------------------------------|--|--|-----------|----------------------------|
| Pos. | ID-Nr. | Benennung | Description | Description | Masch.-Nr- | | | | | 449 003 1 | 27.0 |
| | | | | | | | | | | | Bemerkung/Remarks/Remarque |
| 1 | 00 938 315 0 | Federrahmen | Scraper bar | Chassis du pick up | | x | x | | | | |
| 4 | 00 938 316 0 | Zinkenträger | Tine carrier | Barre support de dents | | 6 | 6 | | | | |
| 5 | 00 935 900 0 | Aufspannbuchse | Tensioning bush | Douille de serrage | | 12 | 12 | | | | |
| 6 | 00 908 706 0 | Sicherungsmutter | Hex nut | Ecrou hex | | 90 | 90 | | | | M 8 |
| 7 | 00 938 154 1 | Federschuh | Spring saddle | Patin de ressort | | 90 | 90 | | | | |
| 8 | 00 938 148 2 | Federzinken | Spring tines | Dents à ressort | | 90 | 90 | | | | |
| 9 | 00 938 054 1 | Druckplatte | Pressure plate | Plaque d appui | | 90 | 90 | | | | |
| 10 | 00 903 083 1 | Zylinderschraube | Allen screw | Vis tete cylindrique | | 90 | 90 | | | | M 8 X 55 |
| 11 | 00 938 321 0 | Adapter kpl. | Adapter cpl. | Adaptation cpl. | | 6 | 6 | | | | |
| 12 | 00 937 982 0 | Einspannbuchse | Clamp bush | Tube eg | | 6 | 6 | | | | |
| 13 | 00 938 319 0 | Lagerplatte links | Bearing plate | Plaque gauche | | 1 | 1 | | | | |
| 14 | 00 908 518 1 | 6kt-Mutter | Hex nut | Écrou hex | | 6 | 6 | | | | M 14 |
| 15 | 00 909 850 0 | Fächerscheibe | Serrated washer | Rondelle a eventail | | 6 | 6 | | | | |
| 16 | 00 912 452 0 | Spannstift | Roll pin | Goupille de serrage | | 6 | 6 | | | | |
| 17 | 00 938 136 1 | Exzenterarm | Excentrie arm | Bras excentrique | | 6 | 6 | | | | |
| 18 | 00 938 131 1 | Scheibe | Washer | Rondelle | | 6 | 6 | | | | |
| 19 | 00 938 081 0 | Rillenkugellager | Bearing | Roulement rainure a billes | | 6 | 6 | | | | LR 5202 NPPU |
| 20 | 00 938 080 1 | Laufbolzen | Bolt | Axe | | 6 | 6 | | | | |
| 21 | 00 938 068 0 | Kragenbuchse | Collar bush | Douille a collet | | 6 | 6 | | | | |
| 22 | 00 938 318 0 | Lagerplatte rechts | Support plate | Plaque support | | 1 | 1 | | | | |
| 23 | 00 910 033 0 | Federring | Spring washer | Rondelle elastique | | 18 | 18 | | | | |
| 24 | 00 900 721 0 | 6kt-Schraube | Hex head bolt | Boulon tête hex | | 18 | 18 | | | | M 8 X 20 |
| 25 | 00 938 166 0 | Seitenteil rechts | Side part R.H. | Carter de pick up droit | | 1 | 1 | | | | |
| 26 | 00 938 107 1 | Distanzrohr | Distance tube | Entretoise d'écartement | | 1 | 1 | | | | |
| 27 | 00 938 317 0 | Antriebswelle | Drive shaft | Arbre d'entraînement | | x | x | | | | Ig.=1910 mm |
| 28 | 00 938 345 0 | Seitenteil links | Side part L.H. | Carter de pick up gauche | | x | x | | | | |
| 29 | 00 900 255 1 | 6kt-Schraube | Hex head bolt | Boulon tête hex | | 120 | 120 | | | | M 8 X 16 |
| 30 | 00 910 035 0 | Federring | Spring washer | Rondelle elastique | | x | x | | | | B 12 |
| 31 | 00 900 657 0 | 6kt-Schraube | Hex head bolt | Boulon tête hex | | x | x | | | | M 12 X 35 |
| 32 | 00 904 003 0 | Senkschraube | Countersunkscrew | Vis à tête fraisée | | x | x | | | | M 8 |
| 33 | 00 934 006 1 | Flanschlager | Flange bearing | Palier a bride | | x | x | | | | |
| 34 | 00 910 111 1 | Federring | Spring washer | Rondelle elastique | | x | x | | | | B 10 |
| 35 | 00 908 212 0 | 6kt-Mutter | Hex nut | Écrou hex | | x | x | | | | M 10 |
| 36 | 00 910 616 0 | Scheibe | Washer | Rondelle | | x | x | | | | 10,5 |
| 37 | 00 956 413 0 | Schmiernippel | Grease nipple | Graisieur | | x | x | | | | |
| 38 | 00 938 320 0 | Mittelabstützung kpl. | Support cpl. | Support cpl. | | 1 | 1 | | | | |
| 39 | 00 938 150 1 | Abstreifer | Scraper | Racleur | | 29 | 29 | | | | |
| 40 | 00 334 924 0 | Pick-up kpl. | Pick up cpl. | Pick up cpl. | | x | x | | | | |

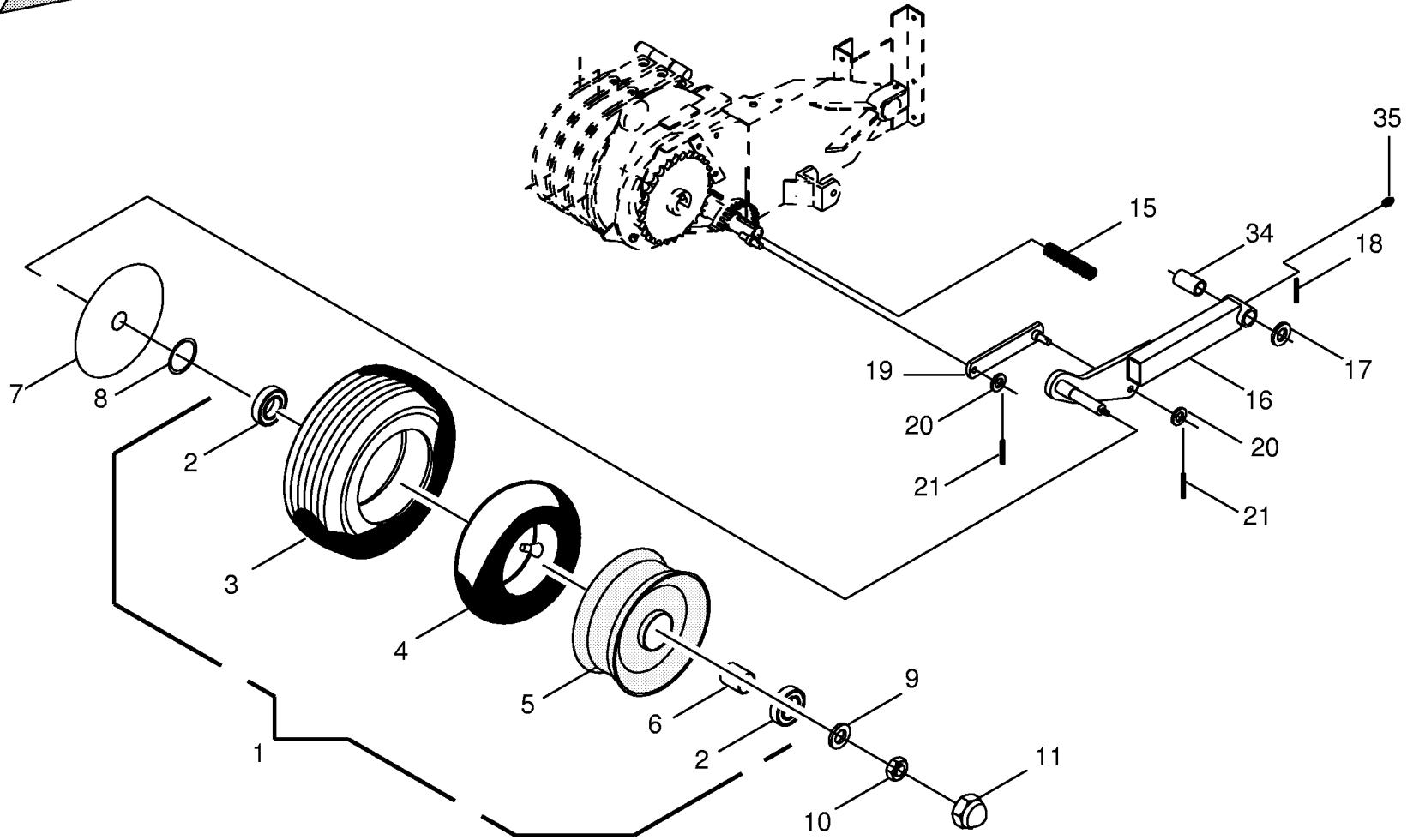
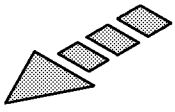


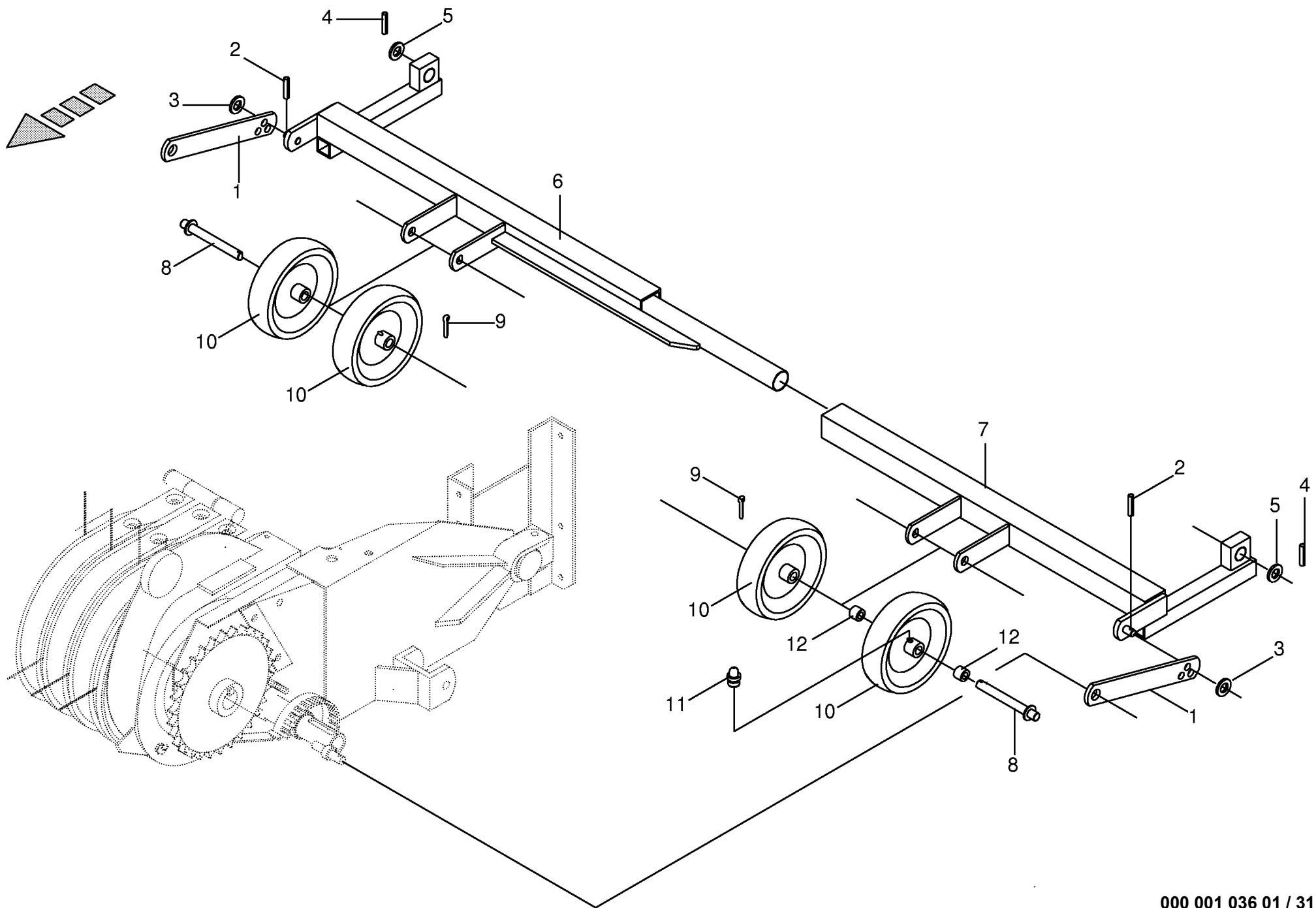


000 001 036 01 / 28.0

448 972 2

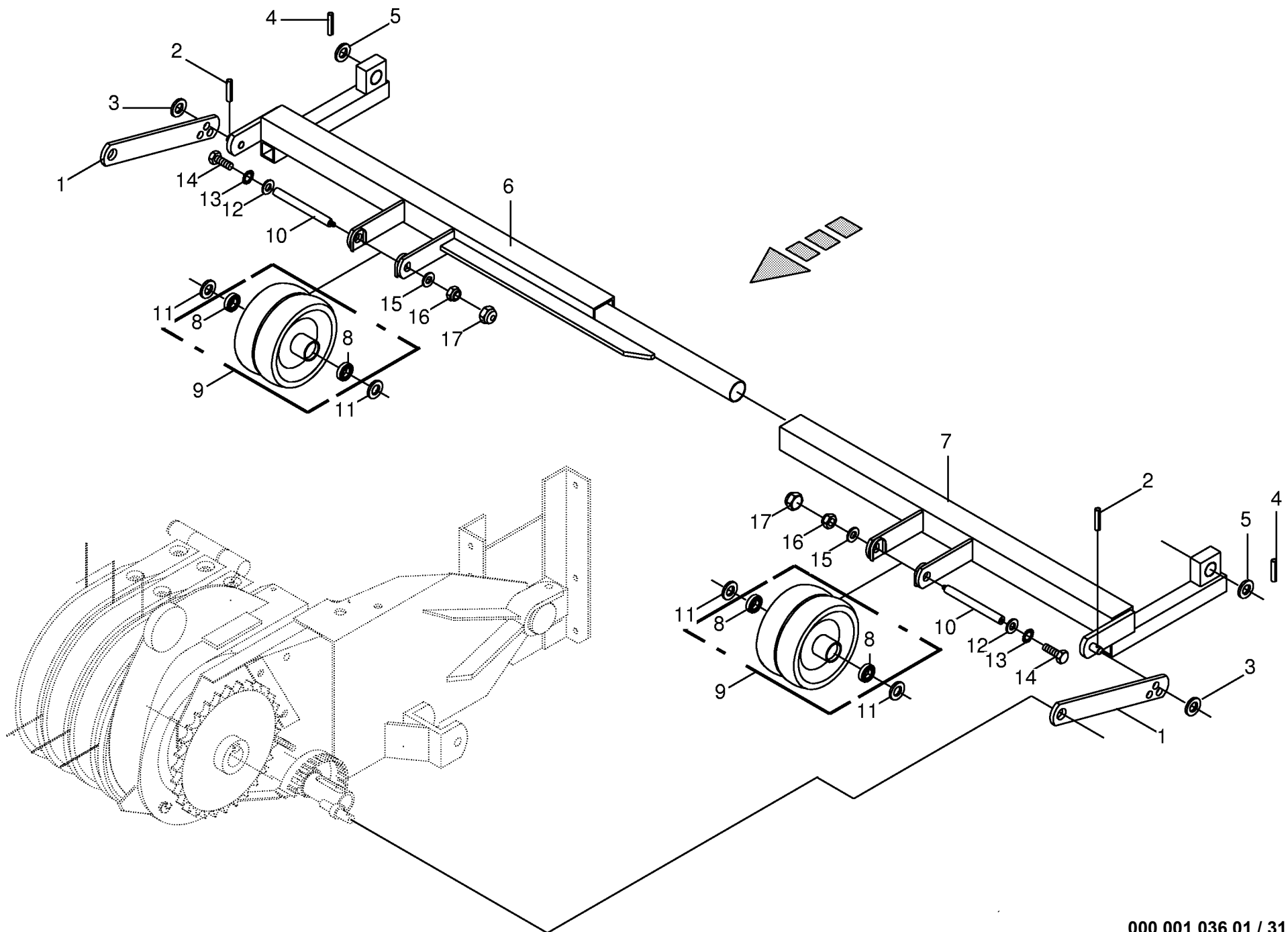


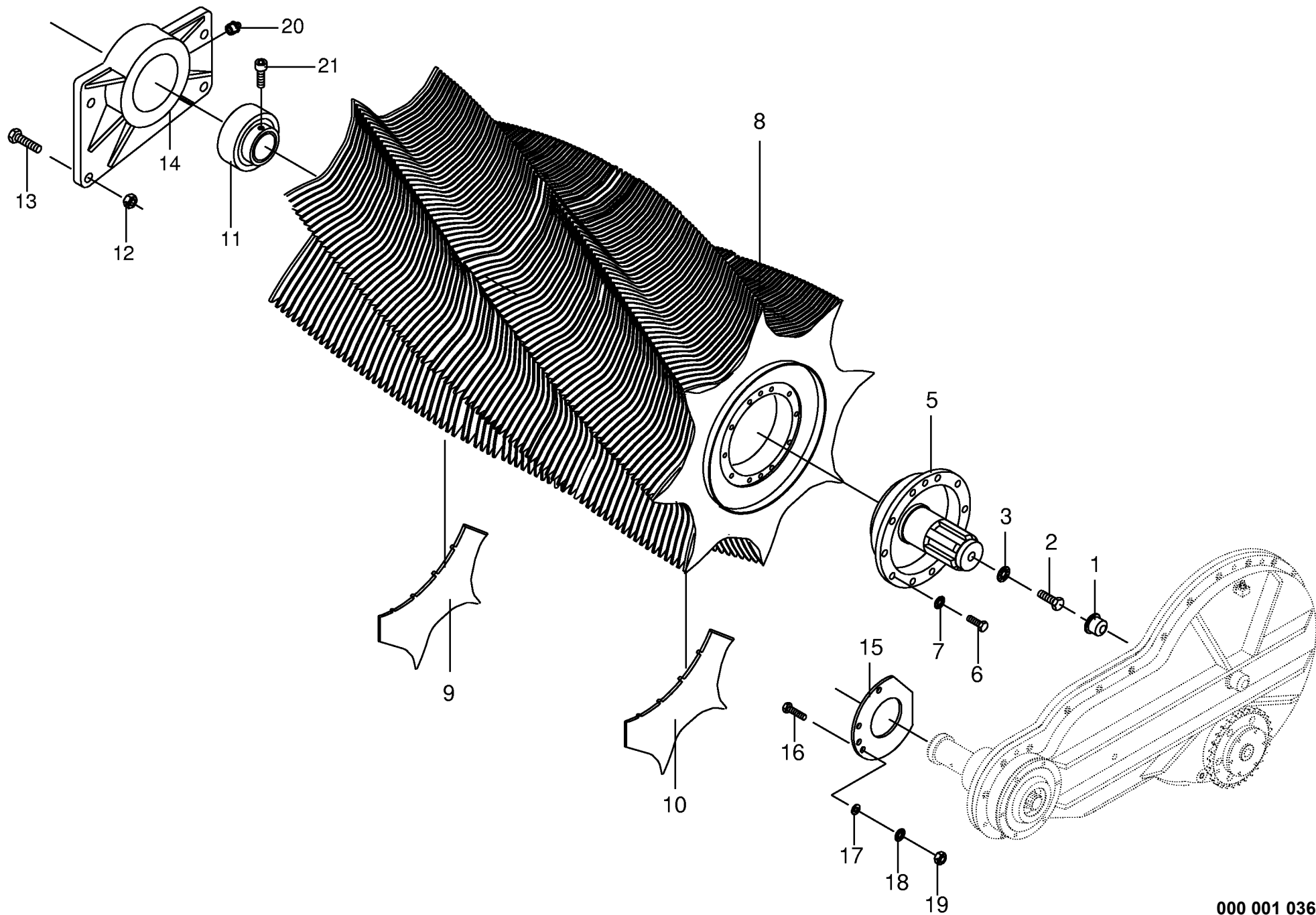




000 001 036 01 / 31.0

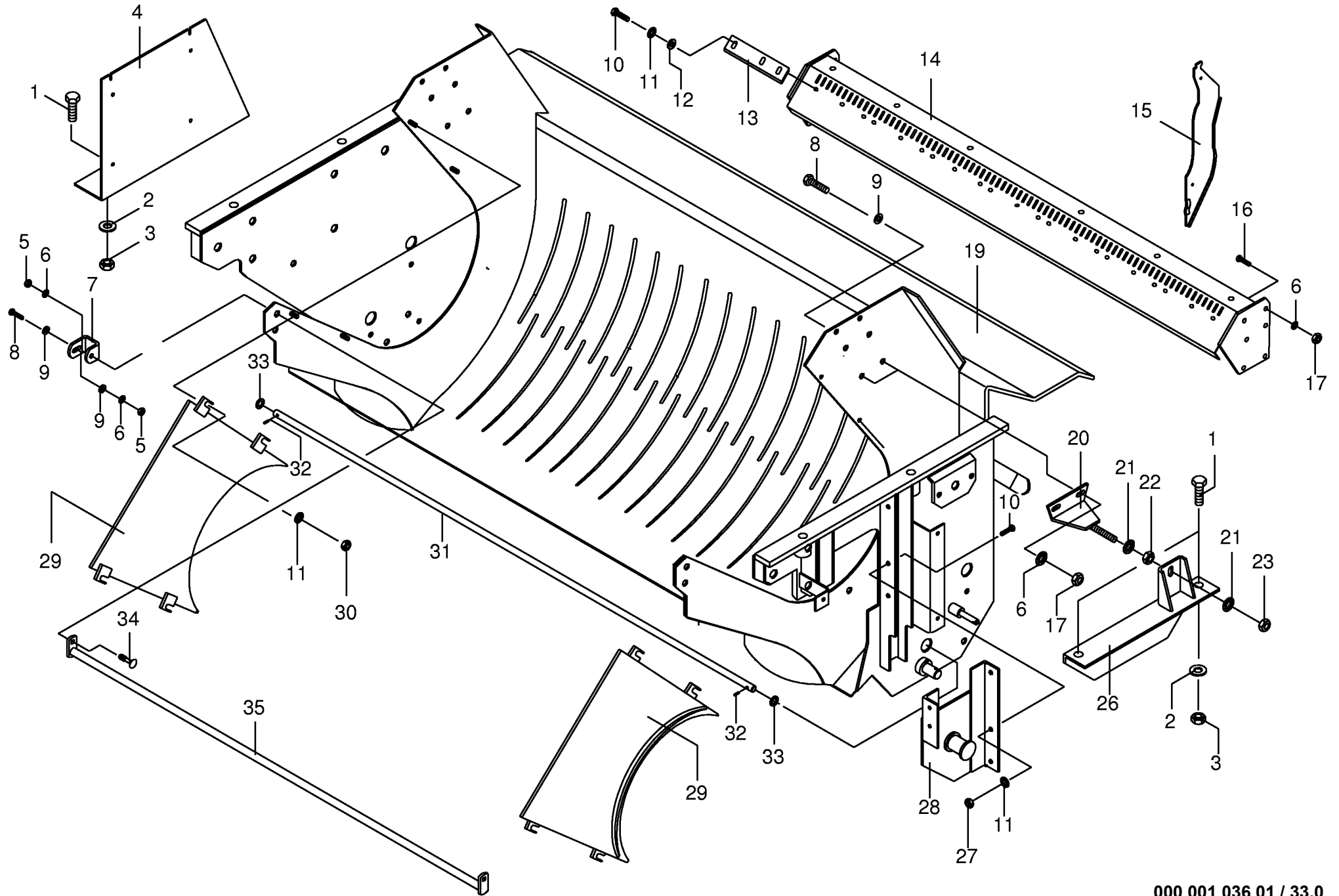
449 190 0





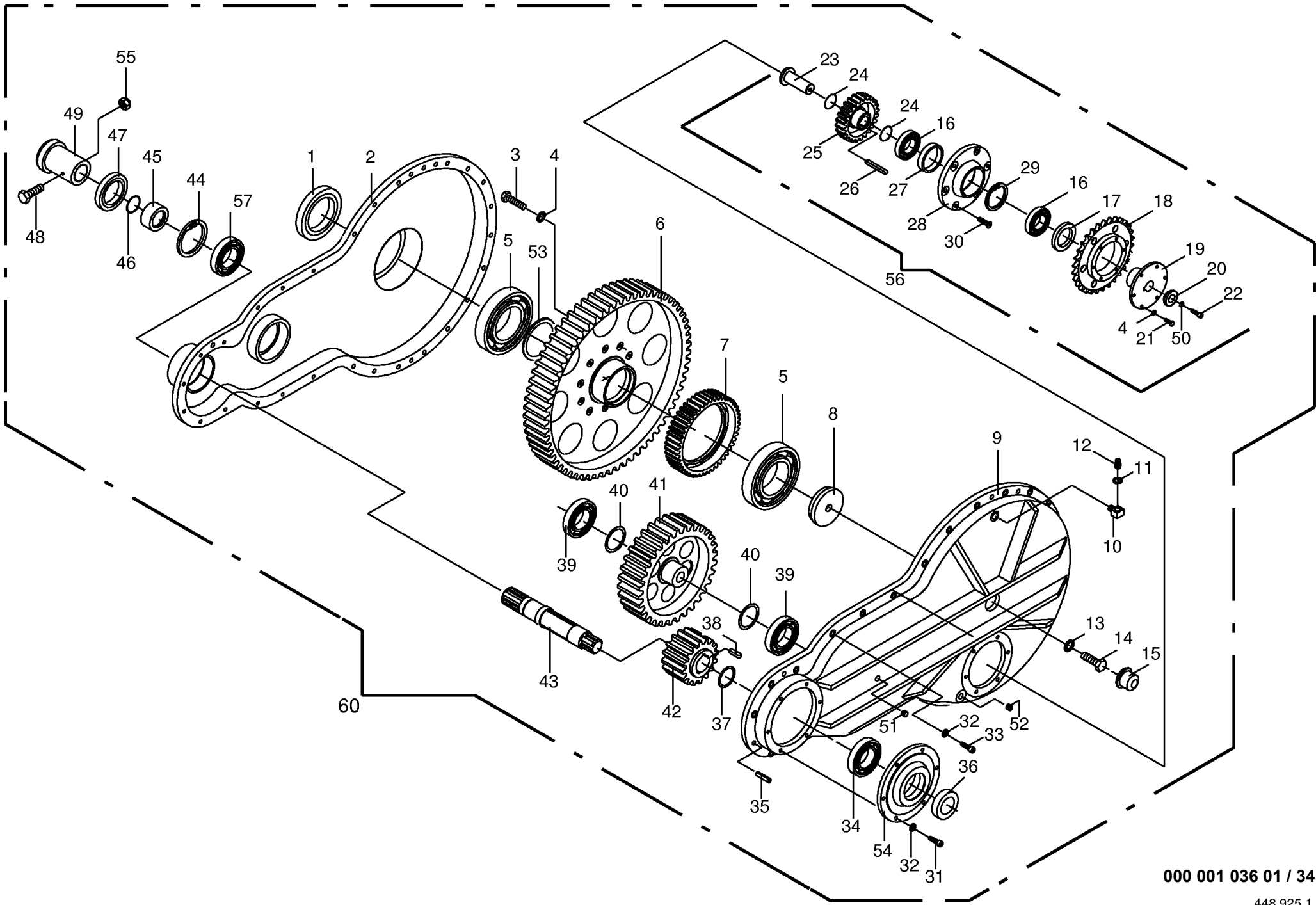
000 001 036 01 / 32.0

449 639 0



000 001 036 01 / 33.0

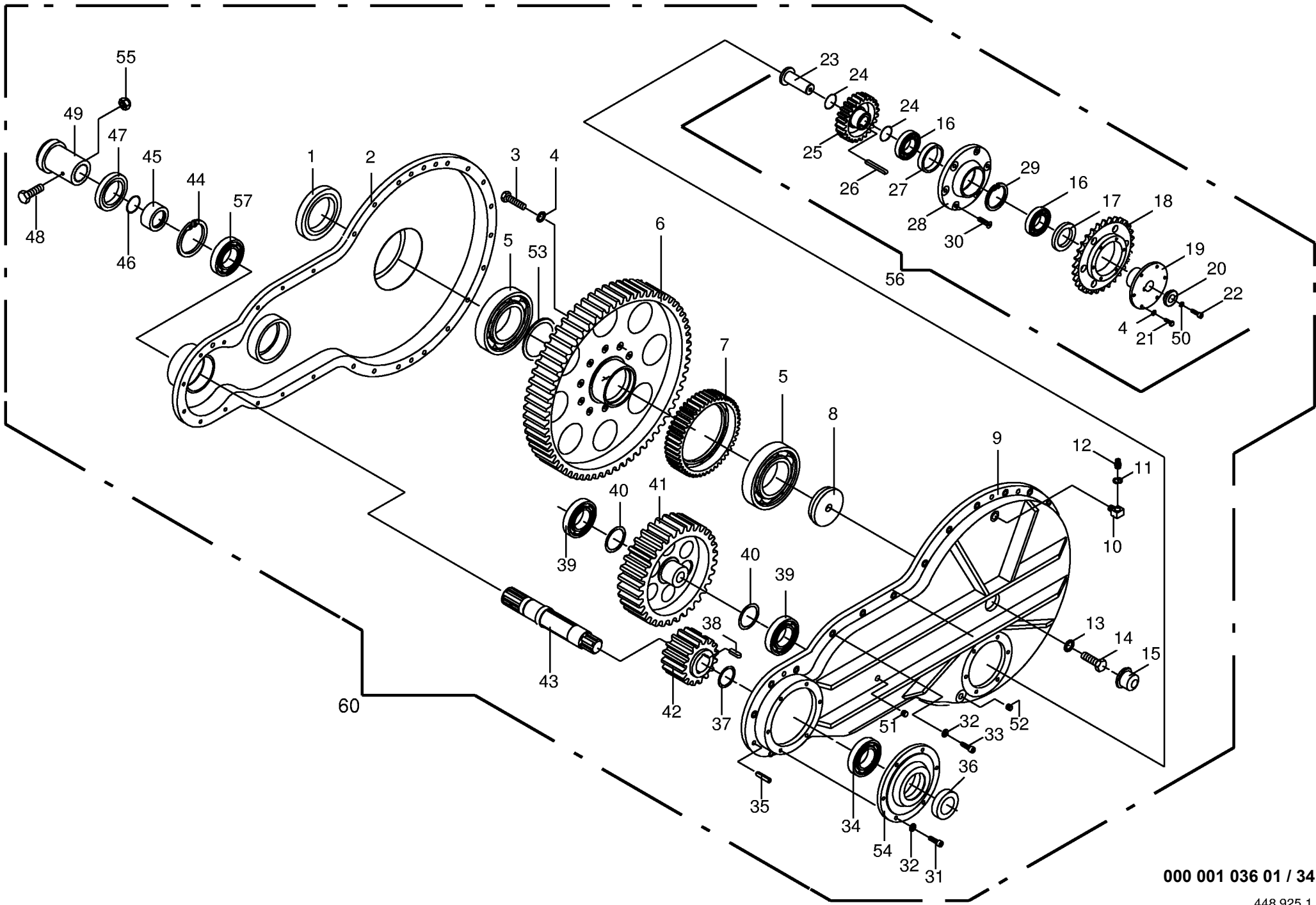
448 948 2



000 001 036 01 / 34.0

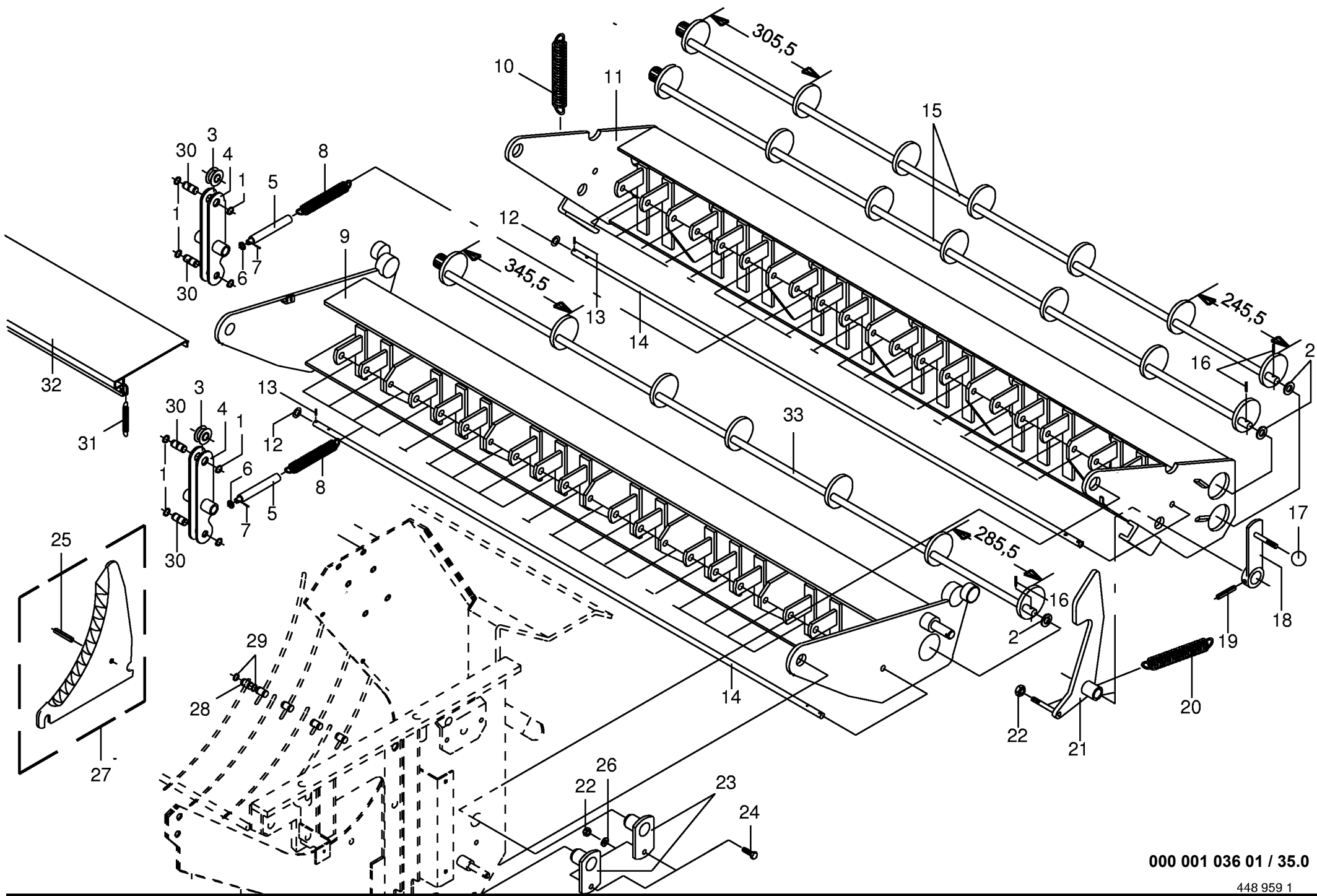
448 925 1

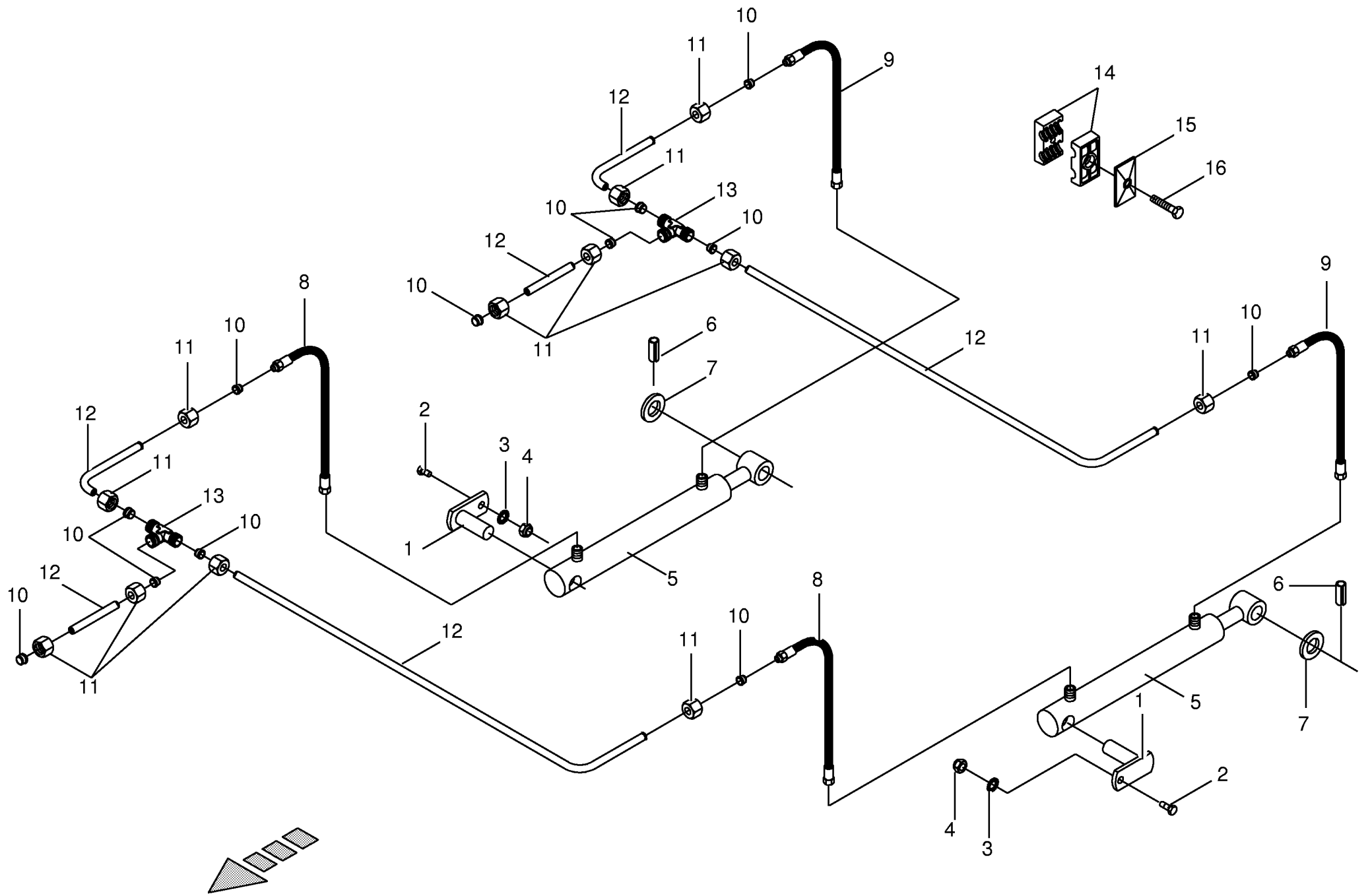
| Getriebe (Schneidwalze) | | | | | 434400 - 486745 | 4 X L / R - G L | X L / R - G L | | | | 000 001 036 01 | |
|--------------------------------|--------------|--------------------------------|---------------------|-----------------------------|-----------------|--------------------------------------|---------------------------------|--|--|--|----------------------------|-------------|
| Gearbox | | | | | | | | | | | 448 925 1 | 34.0 |
| Carter | | | | | Masch.-Nr- | | | | | | Bemerkung/Remarks/Remarque | |
| Pos. | ID-Nr. | Benennung | Description | Description | | | | | | | | |
| 1 | 00 936 012 1 | Radial-Wellendichtring | Radial seal | Bague a levres avec ressort | | x | x | | | | 120 x 150 x 12 AS | |
| 2 | 00 333 003 0 | Getriebegehäusehälfte innen | Gear box half | Demi carter interieur | | x | x | | | | | |
| 3 | 00 900 617 0 | 6kt-Schraube | Hex head bolt | Boulon tête hex | | x | x | | | | M 8 X 30 | |
| 4 | 00 909 908 0 | Sperrkantscheibe | Detent edged washer | Disque à bord d'arrêt | | x | x | | | | SKM 8 | |
| 5 | 00 930 327 0 | Rillenkugellager | Bearing | Roulement rainure a billes | | x | x | | | | 6024 | |
| 6 | 00 333 021 0 | Stirnrad kpl.mont. | Spur gear | Pignon | | x | x | | | | M=8,Z=68 | |
| 7 | 00 333 028 0 | Stirnrad | Spur gear | Roue d'engrenage | | x | x | | | | M=5 Z=45 | |
| 8 | 00 333 027 0 | Lagerungsscheibe | Washer | Rondelle | | x | x | | | | | |
| 9 | 00 333 002 0 | Getriebegehäusehälfte außen | Gearbox half | Carter exterieur | | x | x | | | | | |
| 10 | 00 333 276 0 | Winkel-Einschraubverschraubung | L-connector | L-coude | | x | x | | | | | |
| 11 | 00 937 727 0 | Dichtring | Gasket ring | Joint | | x | x | | | | A 18 X 24 X 1,5 | |
| 12 | 00 919 811 0 | Belüftungsfilter | Breather | Reniflard | | x | x | | | | M 18 X 1,5 | |
| 13 | 00 909 913 0 | Sperrkantscheibe | Detent edged washer | Disque à bord d'arrêt | | x | x | | | | SKM 20 | |
| 14 | 00 900 384 0 | 6kt-Schraube | Hex head bolt | Boulon tête hex | | x | x | | | | M 20 X 80 | |
| 15 | 00 938 833 0 | Radkappe | Wheel cap | Chapeau de roue | | x | x | | | | Rd. 52 | |
| 16 | 00 930 110 0 | Rillenkugellager | Bearing | Roulement rainure a billes | | x | x | | | | 6010 | |
| 17 | 00 936 402 0 | Radial-Wellendichtring | Radial seal | Bague a levres avec ressort | | x | x | | | | 55 X 80 X 10 B2 | |
| 18 | 00 333 033 0 | Kettenrad | Chain wheel | Roue à chaîne | | x | x | | | | Z=35 T=3/4" | |
| 19 | 00 333 728 0 | Lagerflansch | Bearing flange | Bride de palier | | x | x | | | | Rd 150 X 47,5 | |
| 20 | 00 333 037 0 | Scheibe | Washer | Rondelle | | x | x | | | | Rd 45 X 17 | |
| 21 | 00 900 616 0 | 6kt-Schraube | Hex head bolt | Boulon tête hex | | x | x | | | | M 8 X 25 | |
| 22 | 00 903 106 0 | Zylinderschraube | Allen screw | Vis tete cylindrique | | x | x | | | | M 10 X 25 | |
| 23 | 00 333 727 0 | Lagerbolzen | Bearing bolt | Boulon d'appui | | x | x | | | | Rd 50 X 72 | |
| 24 | 00 937 552 0 | O-Ring | O-ring | Joint torique | | x | x | | | | 40 X 2 | |
| 25 | 00 333 729 0 | Stirnrad | Spur gear | Roue d'engrenage | | x | x | | | | M = 5 , Z = 25 | |
| 26 | 00 915 131 0 | Paßfeder | Flat key | Clavette noyee | | x | x | | | | A 10 X 8 X 63 | |
| 27 | 00 333 035 0 | Distanzbuchse | Spacer bushing | Entretoise prise femelle | | x | x | | | | | |
| 28 | 00 333 030 0 | Lagerflansch | Bearing flange | Bride de palier | | x | x | | | | | |
| 29 | 00 911 673 0 | Sicherungsring | Circlip | Circlip | | x | x | | | | I 80 X 2,5 | |
| 30 | 00 904 010 0 | Senkschraube | Countersunkscrew | Vis à tête fraisée | | x | x | | | | M 10 X 20 -10.9 | |
| 31 | 00 903 108 0 | Zylinderschraube | Allen screw | Vis tete cylindrique | | x | x | | | | M 10 X 30 | |
| 32 | 00 910 111 1 | Federring | Spring washer | Rondelle elastique | | x | x | | | | B 10 | |
| 33 | 00 903 109 0 | Zylinderschraube | Allen screw | Vis tete cylindrique | | x | x | | | | M 10 X 35 | |
| 34 | 00 930 264 0 | Rillenkugellager | Bearing | Roulement rainure a billes | | x | x | | | | 6310 | |
| 35 | 00 912 744 0 | Spannhülse | Clamping sleeve | Douille de serrage | | x | x | | | | 12 X 40 | |
| 36 | 00 936 300 0 | Radial-Wellendichtring | Radial seal | Bague a levres avec ressort | | x | x | | | | B2 50X80x8 | |
| 37 | 00 910 902 0 | Paßscheibe | Shim | Cale | | x | x | | | | 50 X 62 X 0,3 | |
| | 00 910 903 0 | Paßscheibe | Shim | Cale | | x | x | | | | 50 X 62 X 0,5 | |



000 001 036 01 / 34.0

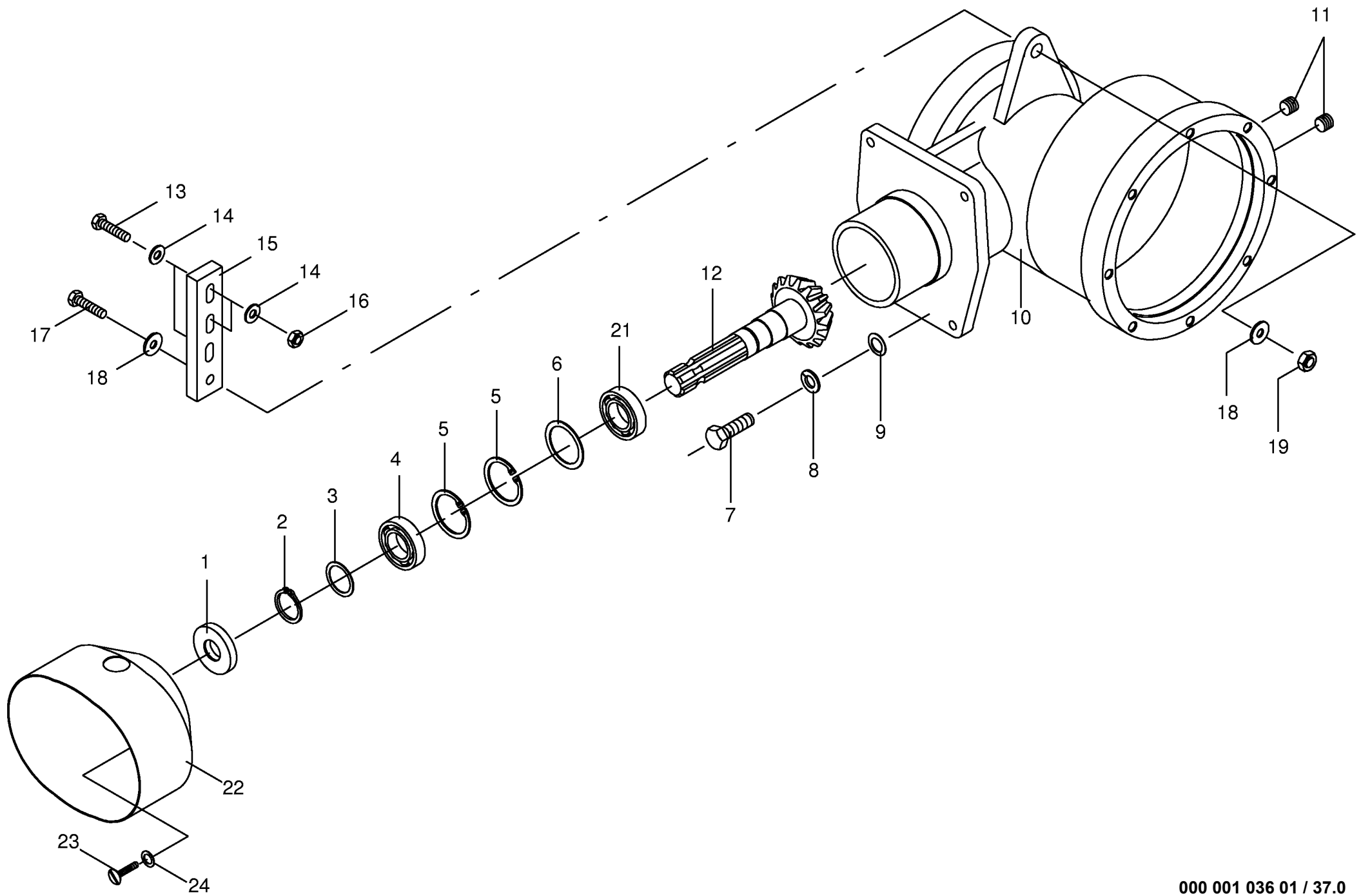
448 925 1

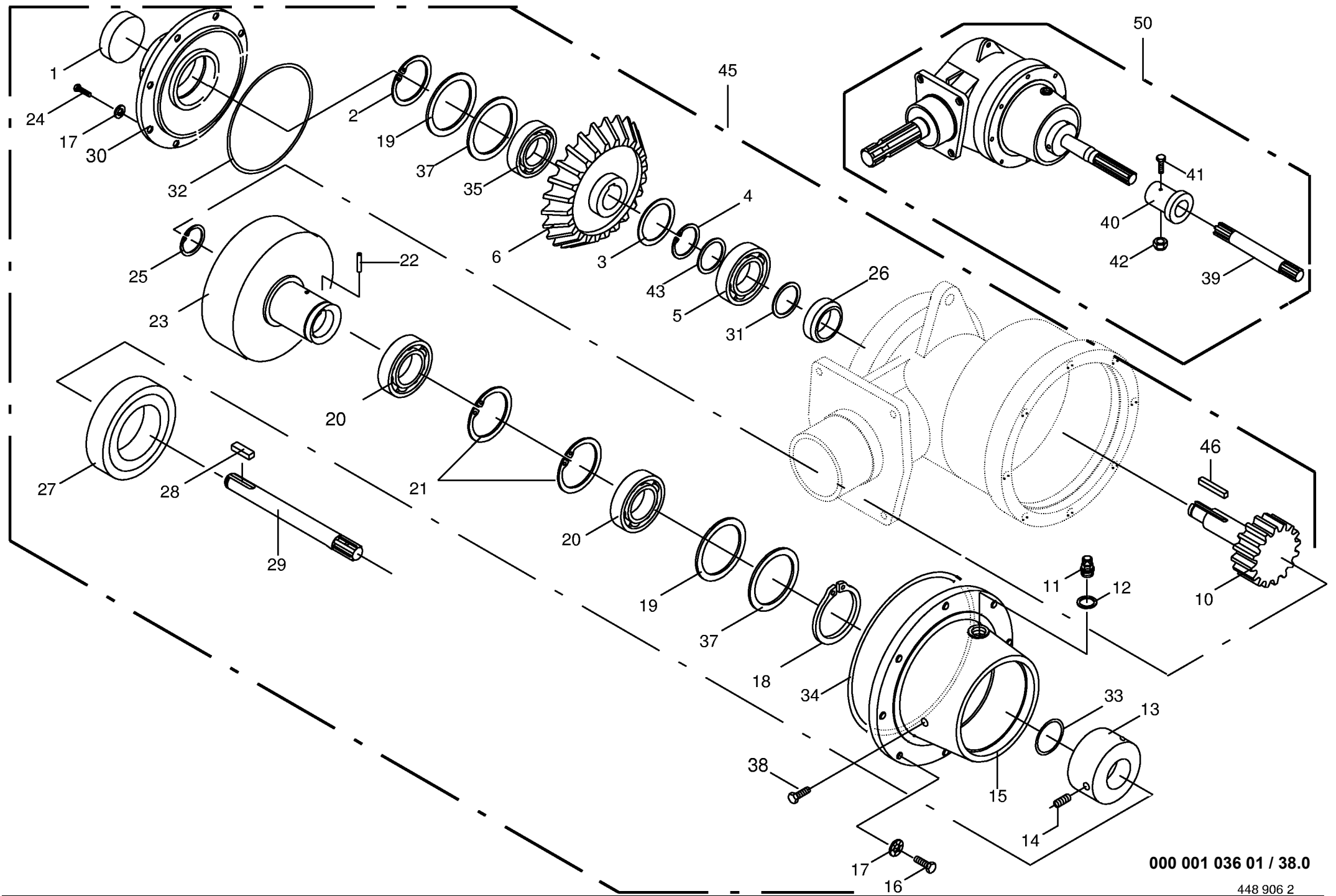




000 001 036 01 / 36.0

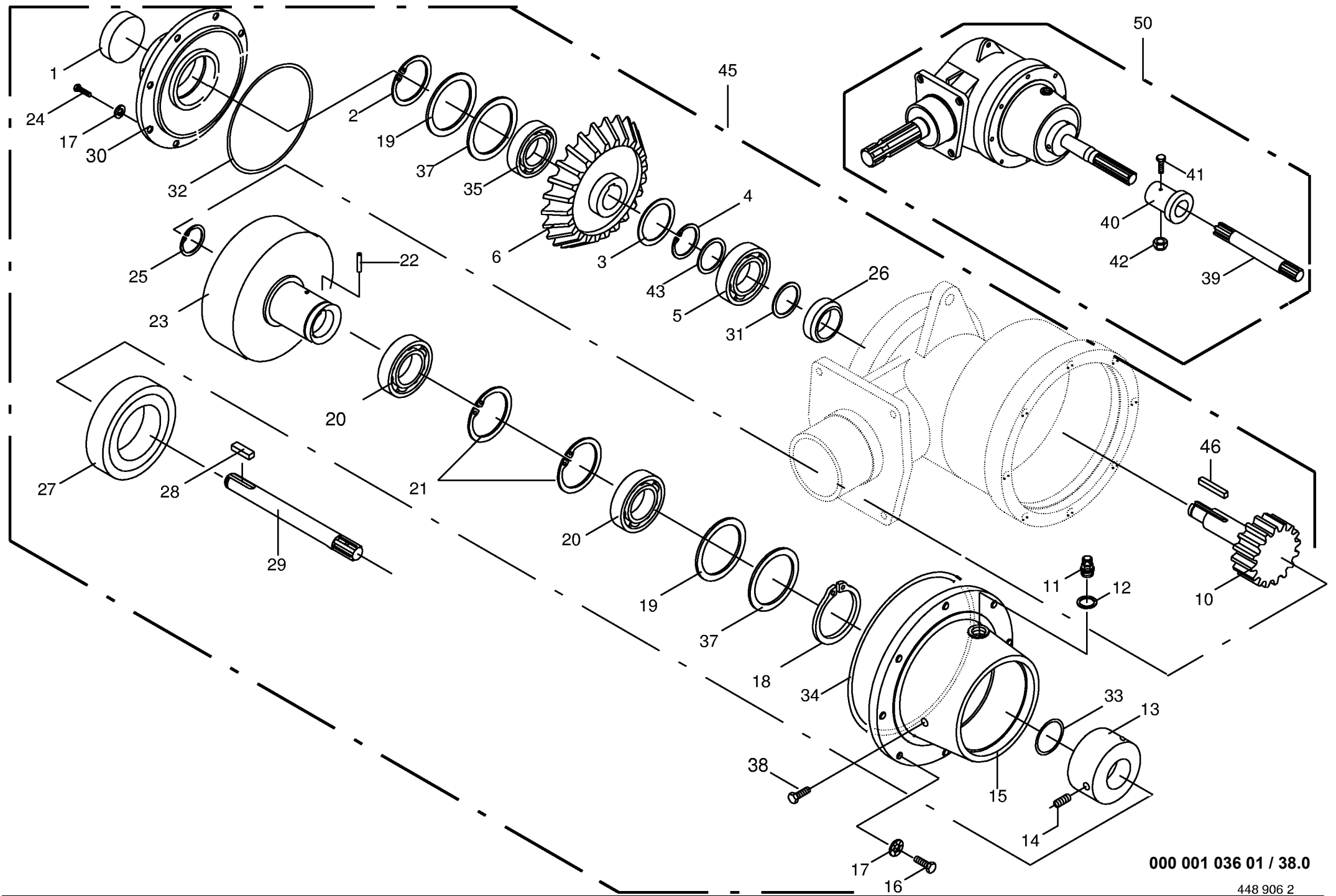
449 038 0





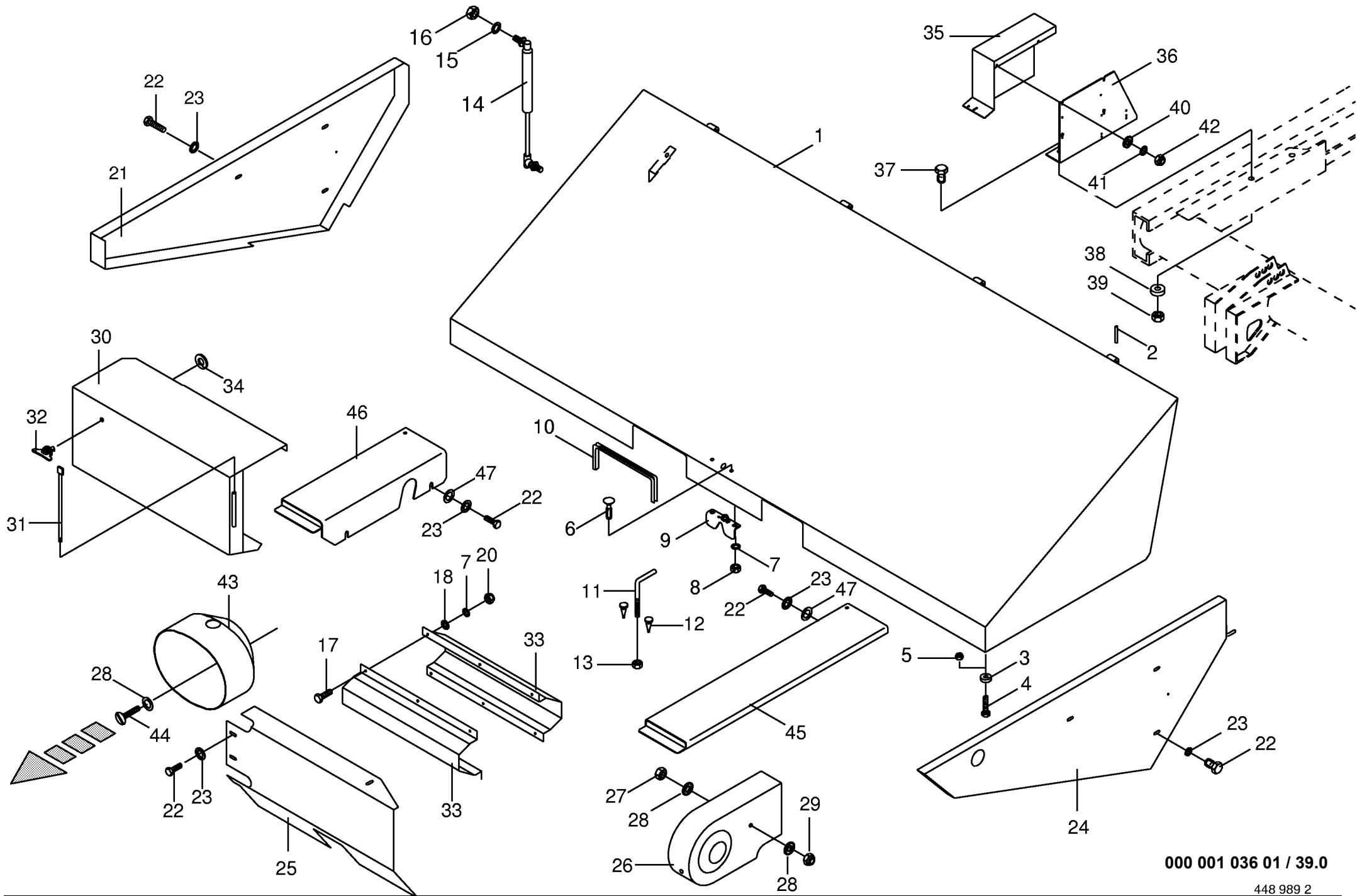
000 001 036 01 / 38.0

| Getriebe vorne Gearbox front Carter avant | | | | | 434400 - 486745 | 4 X L / R - G L | X X L / R - G L | | | 000 001 036 01 |
|---|--------------|------------------------|-------------------------|--|-----------------|--------------------------------------|--------------------------------------|--|----------------------------|----------------|
| | | | | | | | | | 448 906 2 | 38.0 |
| Pos. | ID-Nr. | Benennung | Description | Description | Masch.-Nr- | | | | Bemerkung/Remarks/Remarque | |
| 1 | 00 925 208 0 | Verschlußdeckel | Core plug | Bouchon | | x | x | | 100 | |
| 2 | 00 911 686 0 | Sicherungsring | Circlip | Circlip | | x | x | | I 100 X 3,0 | |
| 3 | 00 333 770 0 | Distanzring | Spacer ring | Bague d'ecartement | | x | x | | Ro.60,3 X 8 X 8 | |
| 4 | 00 911 523 0 | Sicherungsring | Circlip | Circlip | | x | x | | A 70 X 4,0 | |
| 5 | 00 931 901 0 | Pendelrollenlager | Pendular roller bearing | Roulement à galets rouleaux pendulaire | | x | x | | 22214 | |
| 6 | 00 334 103 0 | Kegelrad | Gear | Grande couronne | | x | x | | Z=29 | |
| 10 | 00 333 768 0 | Ritzelwelle | Pinion shaft | Arbre de pignon | | x | x | | Z=14 , M=6 | |
| 11 | 00 919 811 0 | Belüftungsfilter | Breather | Reniflard | | x | x | | M 18 X 1,5 | |
| 12 | 00 937 727 0 | Dichtring | Gasket ring | Joint | | x | x | | A 18 X 24 X 1,5 | |
| 13 | 00 333 482 0 | Stellingring | Fixing ring | Bague | | x | x | | Rd.95 X 37 | |
| 14 | 00 905 933 0 | Gewindestift | Set screw | Vis sans tete | | x | x | | M 10 X 12 | |
| 15 | 00 333 456 0 | Gehäuseflansch | Housing flange | Bride de boitier | | x | x | | | |
| 16 | 00 900 280 0 | 6kt-Schraube | Hex head bolt | Boulon tête hex | | x | x | | M 10 X 30 Plus | |
| 17 | 00 909 909 1 | Sperrkantscheibe | Detent edged washer | Disque à bord d'arrêt | | x | x | | SKM 10 | |
| 18 | 00 911 506 0 | Sicherungsring | Circlip | Circlip | | x | x | | A 80 X 2,5 | |
| 19 | 00 910 991 0 | Paßscheibe | Shim | Cale | | x | x | | 80 X 100 X 0,1 | |
| | 00 910 992 0 | Paßscheibe | Shim | Cale | | x | x | | 80 X 100 X 0,3 | |
| | 00 910 993 0 | Paßscheibe | Shim | Cale | | x | x | | 80 X 100 X 0,5 | |
| | 00 910 994 0 | Paßscheibe | Shim | Cale | | x | x | | 80 X 100 X 1,0 | |
| 20 | 00 932 183 0 | Kegelrollenlager | Tap. roll. bearing | Roulem.roul.con. | | x | x | | 32016 X | |
| 21 | 00 911 695 0 | Sicherungsring | Circlip | Circlip | | x | x | | I 125 X 4 | |
| 22 | 00 912 608 0 | Spannhülse | Clamping sleeve | Douille de serrage | | x | x | | 5 X 20 | |
| 23 | 00 333 473 0 | Innenzahnrad | Inner cogwheel | Roue dentée interieur | | x | x | | Z=29,M=6 | |
| 24 | 00 900 817 1 | 6kt-Schraube | Hex head bolt | Boulon tête hex | | x | x | | M 10 X 25 | |
| 25 | 00 911 553 0 | Sicherungsring | Circlip | Circlip | | x | x | | A 50 X 2,0 | |
| 26 | 00 333 944 0 | Distanzbuchse | Spacer bushing | Entretoise prise femelle | | x | x | | Ro 82,5 X 7,1 X 8,2 St | |
| 27 | 00 936 002 0 | Radial-Wellendichtring | Radial seal | Bague a levres avec ressort | | x | x | | 85 X 130 X 13 B2 | |
| 28 | 00 915 010 0 | Paßfeder | Flat key | Clavette noyee | | x | x | | B 14 X 9 X 70 | |
| 29 | 00 333 756 0 | Antriebswelle | Drive shaft | Arbre d'entraînement | | x | x | | Rd 55 X 235 | |
| 30 | 00 333 769 0 | Getriebedeckel | Gearbox cover | Couvercle du boîte de vitesses | | x | x | | | |
| 31 | 00 910 872 2 | Paßscheibe | Shim | Cale | | x | x | | 115 X 125 X 0,1 | |
| | 00 910 873 2 | Paßscheibe | Shim | Cale | | x | x | | 115 X 125 X 0,3 | |
| | 00 910 874 2 | Paßscheibe | Shim | Cale | | x | x | | 115 X 125 X 0,5 | |
| 32 | 00 937 510 0 | O-Ring | O-ring | Joint torique | | x | x | | 196,45 X 3,53 | |
| 33 | 00 937 545 0 | O-Ring | O-ring | Joint torique | | x | x | | 50 X 3 | |
| 34 | 00 937 562 0 | O-Ring | O-ring | Joint torique | | x | x | | 228,19 X 3,53 | |
| 35 | 00 932 138 0 | Kegelrollenlager | Tap. roll. bearing | Roulem.roul.con. | | x | x | | 30309 A | |



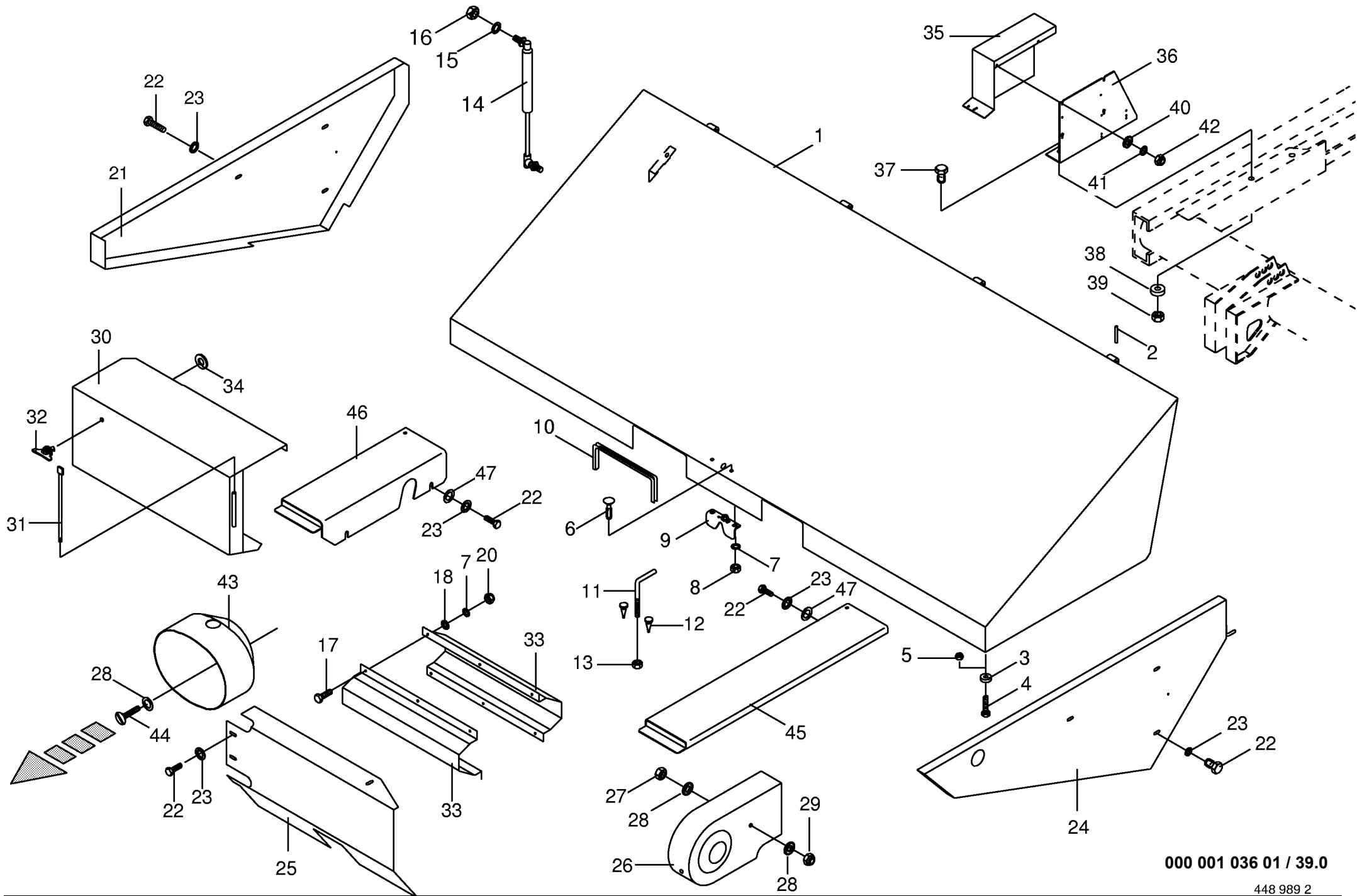
000 001 036 01 / 38.0

448 906 2

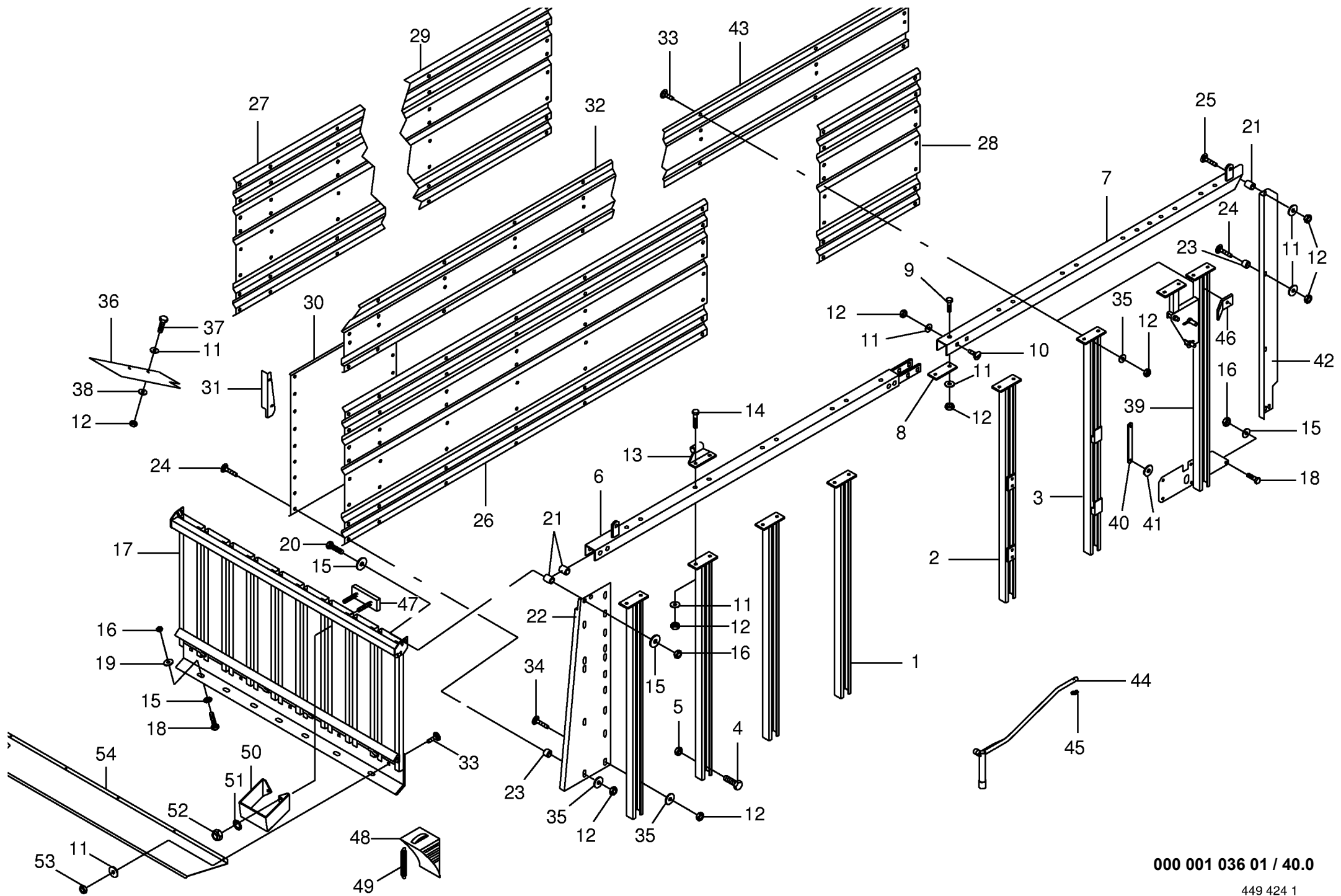


000 001 036 01 / 39.0

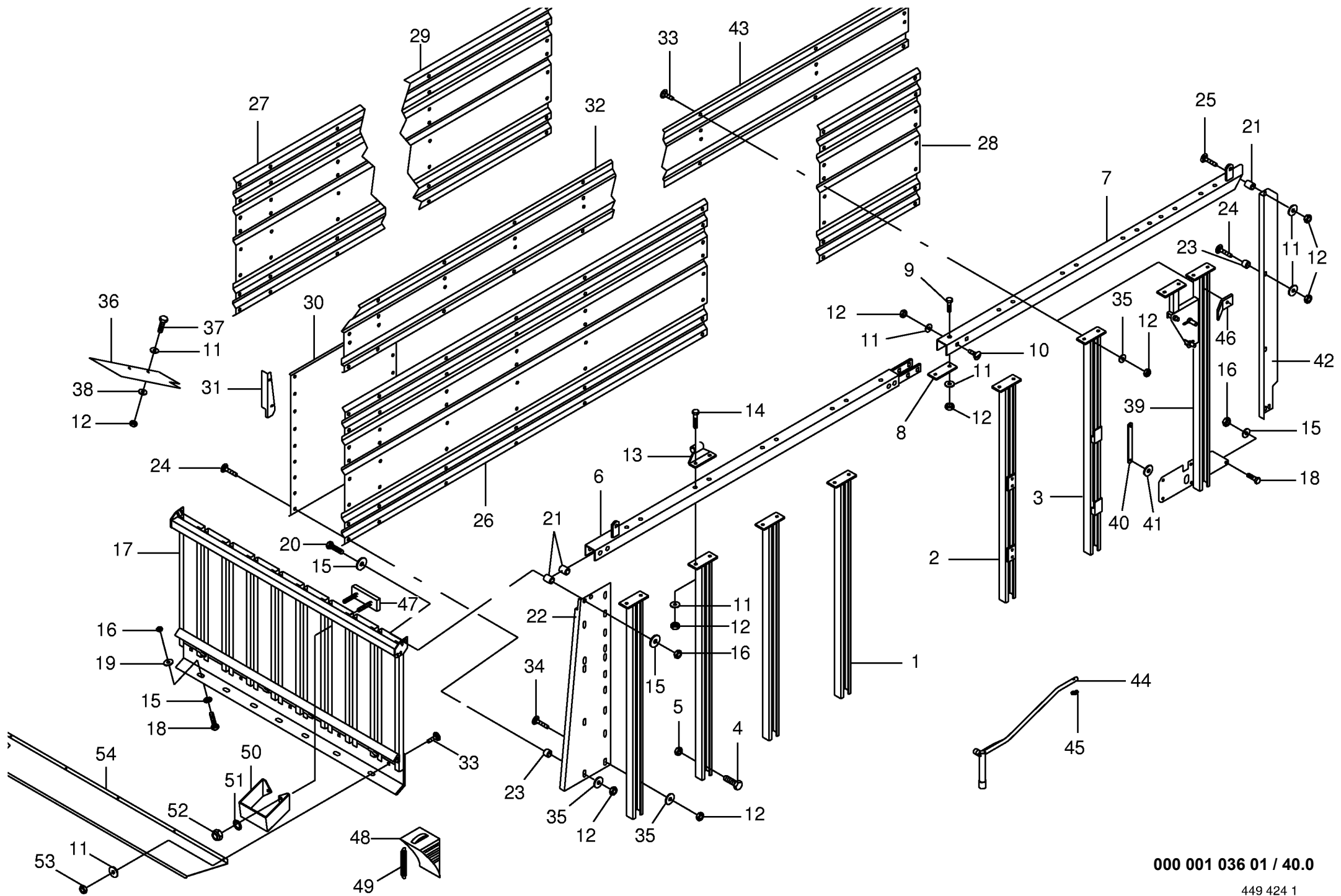
| Schutze | | | | | 434400 - 486745 | 4 X L / R - G L | X X L / R - G L | | | | 000 001 036 01 | |
|--------------------|--------------|----------------------------|---------------------|----------------------------|-----------------|--------------------------------------|--------------------------------------|--|--|--|----------------------------|-------------|
| Guard | | | | | | | | | | | 448 989 2 | 39.0 |
| Protecteurs | | | | | Masch.-Nr- | | | | | | Bemerkung/Remarks/Remarque | |
| Pos. | ID-Nr. | Benennung | Description | Description | | | | | | | | |
| 1 | 00 333 043 0 | Schutzhaube vorn | Front guard | Toile de protection | | x | x | | | | | |
| 2 | 00 912 539 1 | Spannhülse | Clamping sleeve | Douille de serrage | | x | x | | | | 3 X 20 | |
| 3 | 00 335 482 2 | Gummifuß | Ruber grommet | Douille en caoutchouc | | x | x | | | | | |
| 4 | 00 905 111 2 | Flachrundschraube | Flat round bolt | Vis a tête bombée | | x | x | | | | M 6 X 20 | |
| 5 | 00 908 704 1 | Sicherungsmutter | Hex nut | Ecrou 6 pans | | x | x | | | | M 6 | |
| 6 | 00 904 732 1 | Flachrundschraube | Flat round bolt | Vis a tête bombée | | x | x | | | | M 8 X 25 | |
| 7 | 00 909 908 0 | Sperrkantscheibe | Detent edged washer | Disque à bord d'arrêt | | x | x | | | | SKM 8 | |
| 8 | 00 908 210 0 | 6kt-Mutter | Hex nut | Écrou hex | | x | x | | | | M 8 | |
| 9 | 00 938 984 0 | Klappenverschluss | Rear gate lock | Fermeture de hayon arrière | | x | x | | | | | |
| 10 | 00 925 111 0 | Kantenschutz | Edge protection | Bordure de protection | | x | x | | | | (ID-NR.= 1 m) | |
| 11 | 00 333 429 0 | Bügel | Yoke | Branchon | | x | x | | | | Rd 10 X 89,5 | |
| 12 | 00 924 262 0 | Gummifuß | Ruber grommet | Douille en caoutchouc | | x | x | | | | | |
| 13 | 00 908 212 0 | 6kt-Mutter | Hex nut | Écrou hex | | x | x | | | | M 10 | |
| 14 | 00 938 944 0 | Gasfeder | Gas spring | Ressort à gaz | | x | x | | | | | |
| 15 | 00 909 908 0 | Sperrkantscheibe | Detent edged washer | Disque à bord d'arrêt | | x | x | | | | SKM 8 | |
| 16 | 00 908 210 0 | 6kt-Mutter | Hex nut | Écrou hex | | x | x | | | | M 8 | |
| 17 | 00 900 614 0 | 6kt-Schraube | Hex head bolt | Boulon tête hex | | x | x | | | | M 8 X 20 | |
| 18 | 00 910 413 0 | Scheibe | Washer | Rondelle | | x | x | | | | 8,4 X 17 X 1,6 | |
| 20 | 00 908 706 0 | Sicherungsmutter | Hex nut | Ecrou hex | | x | x | | | | M 8 | |
| 21 | 00 333 605 0 | Schutzkasten | Protective box | Caisson de protection | | x | x | | | | | |
| 22 | 00 900 634 0 | 6kt-Schraube | Hex head bolt | Boulon tête hex | | x | x | | | | M 10 X 20 | |
| 23 | 00 909 909 1 | Sperrkantscheibe | Detent edged washer | Disque à bord d'arrêt | | x | x | | | | SKM 10 | |
| 24 | 00 333 606 0 | Schutzkasten | Protective box | Caisson de protection | | x | x | | | | | |
| 25 | 00 333 615 0 | Schutz vorne | Front guard | Toile de protection | | x | x | | | | | |
| 26 | 00 333 111 0 | Kettenschutz | Chain protection | Protection de chaîne | | x | x | | | | | |
| 27 | 00 908 212 0 | 6kt-Mutter | Hex nut | Écrou hex | | x | x | | | | M 10 | |
| 28 | 00 910 353 0 | Scheibe | Washer | Rondelle | | x | x | | | | 11 X 34 X 3 | |
| 29 | 00 908 758 0 | Sicherungsmutter | Securing nut | Écrou-frein | | x | x | | | | M 10 | |
| 30 | 00 333 612 0 | Schutz für Ventilbl. | Guard | Toile de protection | | x | x | | | | | |
| 31 | 00 332 893 1 | Scharnierbolzen | Hinge pin | Axe de charniere | | x | x | | | | | |
| 32 | 00 924 248 0 | Flügelverschluss | Star knob | Poignee etoile | | x | x | | | | | |
| 33 | 00 333 666 0 | Wellenschutzhälfte | Shaft protection | Protecteur pour arbre | | x | x | | | | | |
| 34 | 00 924 251 0 | Haltescheibe | Retaining washer | Rondelle d'arret | | x | x | | | | | |
| 35 | 00 333 697 0 | Schutz F.E-Verteilerkasten | Guard | Protecteur | | x | x | | | | | |
| 36 | 00 333 354 0 | Halter | Support | Cadre support | | x | x | | | | | |
| 37 | 00 901 027 0 | 6kt-Schraube | Hex head bolt | Boulon tête hex | | x | x | | | | M 24 X 290 | |
| 38 | 00 910 514 1 | Scheibe | Washer | Rondelle | | x | x | | | | 26 X 44 X 4 | |
| 39 | 00 908 726 1 | Sicherungsmutter | Hex nut | Ecrou 6 pans | | x | x | | | | M 24 | |

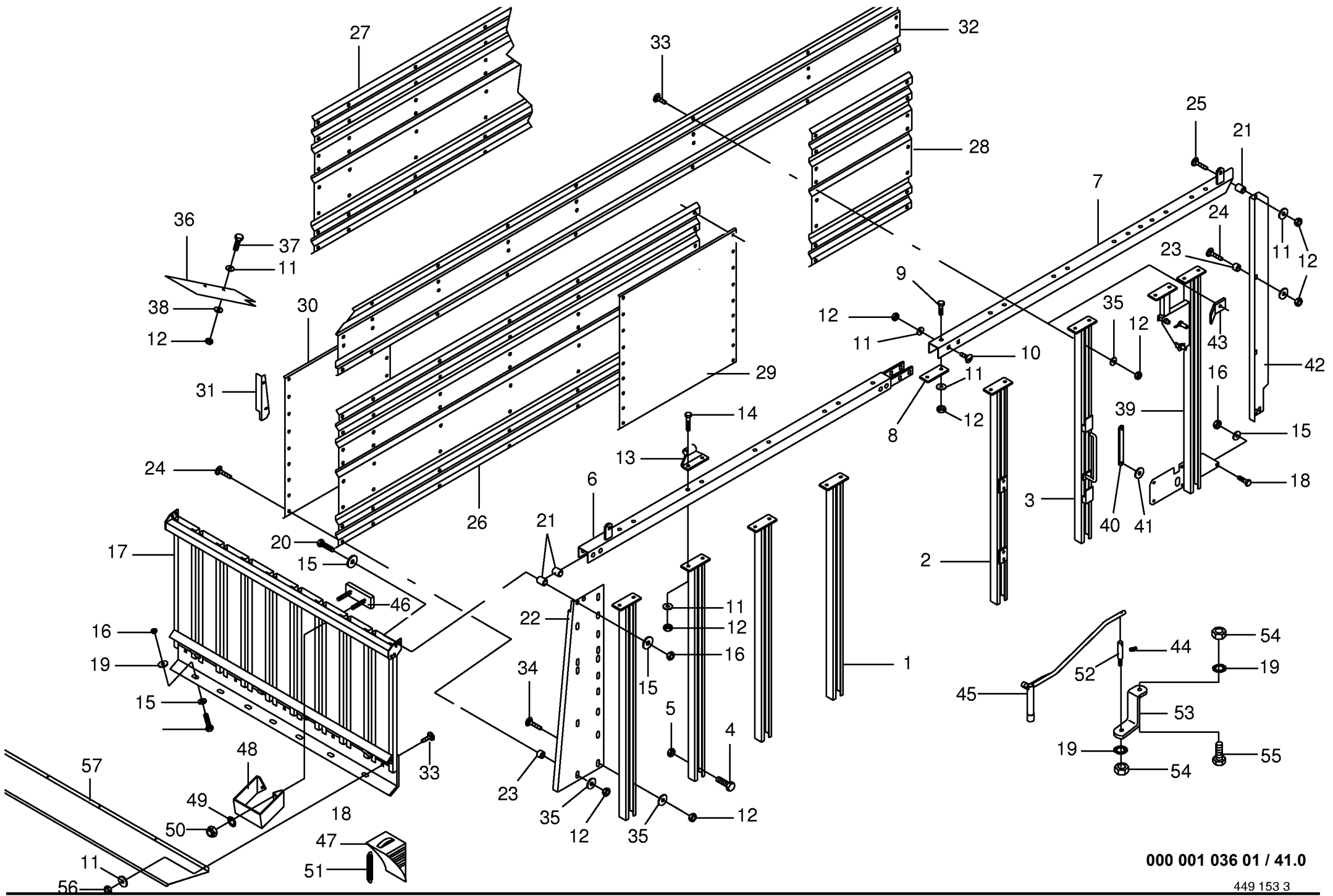


000 001 036 01 / 39.0

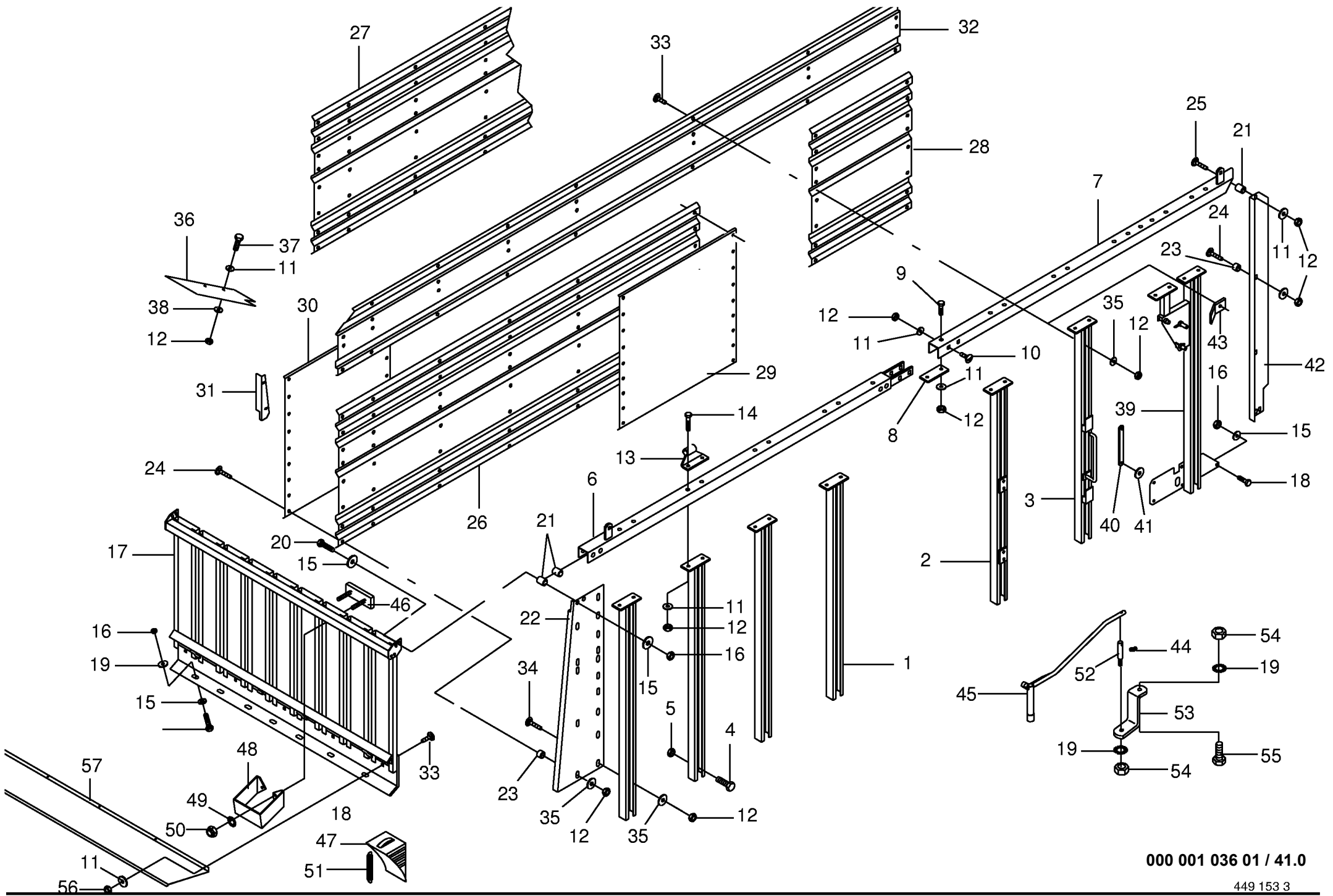


| Aufbau unten Superstructure bottom Ridelles | | | | | 434400 - 486745 | 4 X L / R - G L | X X L / R - G L | | | | 000 001 036 01 |
|---|--------------|---------------------------|-------------------------------|--------------------------------|-----------------|--------------------------------------|--------------------------------------|--|--|----------------------------|----------------|
| Pos. | ID-Nr. | Benennung | Description | Description | Masch.-Nr- | | | | | 449 424 1 | 40.0 |
| | | | | | | | | | | Bemerkung/Remarks/Remarque | |
| 1 | 00 334 303 0 | Runge | Stake | Ranche | | x | | | | | |
| 2 | 00 334 373 0 | Runge für Luke | Supporting bracket | Ranchet | | x | | | | | |
| 3 | 00 334 374 0 | Runge für Luke | Supporting bracket | Ranchet | | x | | | | | |
| 4 | 00 900 674 0 | 6kt-Schraube | Hex head bolt | Boulon tête hex | | x | | | | M 16 X 35 | |
| 5 | 00 908 716 1 | Sicherungsmutter | Hex nut | Ecrou 6 pans | | x | | | | M 16 | |
| 6 | 00 333 260 0 | Längsholm vorne links | Front longitudinal carrier lh | Avant bras longitudinal gauche | | x | | | | | |
| | 00 333 261 0 | Längsholm vorne rechts | Front longitudinal carrier rh | Avant bras longitudinal droite | | x | | | | | |
| 7 | 00 334 425 0 | Längsholm hinten links | Back longitudinal carrier lh | Arriere bras longitudinal gau. | | x | | | | | |
| | 00 334 427 0 | Längsholm hinten rechts | Back longitudinal carrier rh | Arriere bras longitudinal dro. | | x | | | | | |
| 8 | 00 334 302 0 | Platte | Plate | Plaque | | x | | | | 150 X 65 X 6 | |
| 9 | 00 900 637 0 | 6kt-Schraube | Hex head bolt | Boulon tête hex | | x | | | | M 10 X 30 | |
| 10 | 00 904 850 1 | Flachrundschaube | Flat round bolt | Vis a tête bombée | | x | | | | M 10 X 25 | |
| 11 | 00 910 414 0 | Scheibe | Washer | Rondelle | | x | | | | 10,5 X 21 X 2 | |
| 12 | 00 908 758 0 | Sicherungsmutter | Securing nut | Écrou-frein | | x | | | | M 10 | |
| 13 | 00 334 325 0 | Scharnier | Hinge | Charnière | | x | | | | | |
| 14 | 00 900 638 0 | 6kt-Schraube | Hex head bolt | Boulon tête hex | | x | | | | M 10 X 35 | |
| 15 | 00 910 506 1 | Scheibe | Washer | Rondelle | | x | | | | 13 X 24 X 2,5 | |
| 16 | 00 908 701 0 | Sicherungsmutter | Securing nut | Écrou-frein | | x | | | | M 12 | |
| 17 | 00 333 059 0 | Stirnwand | Front panel | Paroi frontale | | x | | | | | |
| 18 | 00 900 656 0 | 6kt-Schraube | Hex head bolt | Boulon tête hex | | x | | | | M 12 X 30 | |
| 19 | 00 909 910 1 | Sperrkantscheibe | Detent edged washer | Disque à bord d'arrêt | | x | | | | SKM 12 | |
| 20 | 00 901 452 0 | 6kt-Schraube | Hex head bolt | Boulon tête hex | | x | | | | M 12 X 50 | |
| 21 | 00 153 798 0 | Rohr | Tube | Tube | | x | | | | 25 X 5 X 20 | |
| 22 | 00 333 330 0 | Seitenblech vorne links | Side plate, front, LH | Tole laterale, avant, gauche | | x | | | | | |
| | 00 333 331 0 | Seitenblech vorne rechts | Side plate, front, RH | Tole laterale, avant, droite | | x | | | | | |
| 23 | 00 344 518 2 | Distanzrohr | Distance tube | Entretoise d'écartement | | x | | | | | |
| 24 | 00 905 154 0 | Flachrundschaube | Flat round bolt | Vis a tête bombée | | x | | | | M 10 X 35 | |
| 25 | 00 905 255 0 | Flachrundschaube | Flat round bolt | Vis a tête bombée | | x | | | | M 10 X 40 | |
| 26 | 00 333 559 0 | Seitenwand vorne links | Front side wall lh | Avant paroi latérale gauche | | x | | | | 1000 X 4445 | |
| 27 | 00 333 560 0 | Seitenwand vorne rechts | Front side wall rh | Avant paroi latérale droite | | x | | | | 1000 X 4445 | |
| 28 | 00 333 213 0 | Seitenwand hinten links | Back side wall lh | Arriere paroi latérale gauche | | x | | | | 1000 X 980 | |
| 29 | 00 333 565 0 | Seitenwand hinten rechts | Rear side wall reight | Paroi laterale arriere droit | | x | | | | 1000 X 2395 | |
| 30 | 00 333 238 0 | Verkleidung | Cladding | Revêtement | | x | | | | | |
| 31 | 00 333 592 0 | Blechwinkel links | Angle left | Patte angulaire gauche | | x | | | | | |
| | 00 333 593 0 | Blechwinkel rechts | Angle right | Patte angulaire droite | | x | | | | | |
| 32 | 00 333 561 0 | Seitenwand oben li. vorne | Top side wall front lh | Haut paroi latérale avant gau. | | x | | | | 500 X 4445 | |
| | 00 333 562 0 | Seitenwand oben re. vorne | Top side wall front rh | Haut paroi latérale avant dro. | | x | | | | 500 X 4445 | |
| 33 | 00 905 251 0 | Flachrundschaube | Flat round bolt | Vis a tête bombée | | x | | | | M 10 X 20 | |

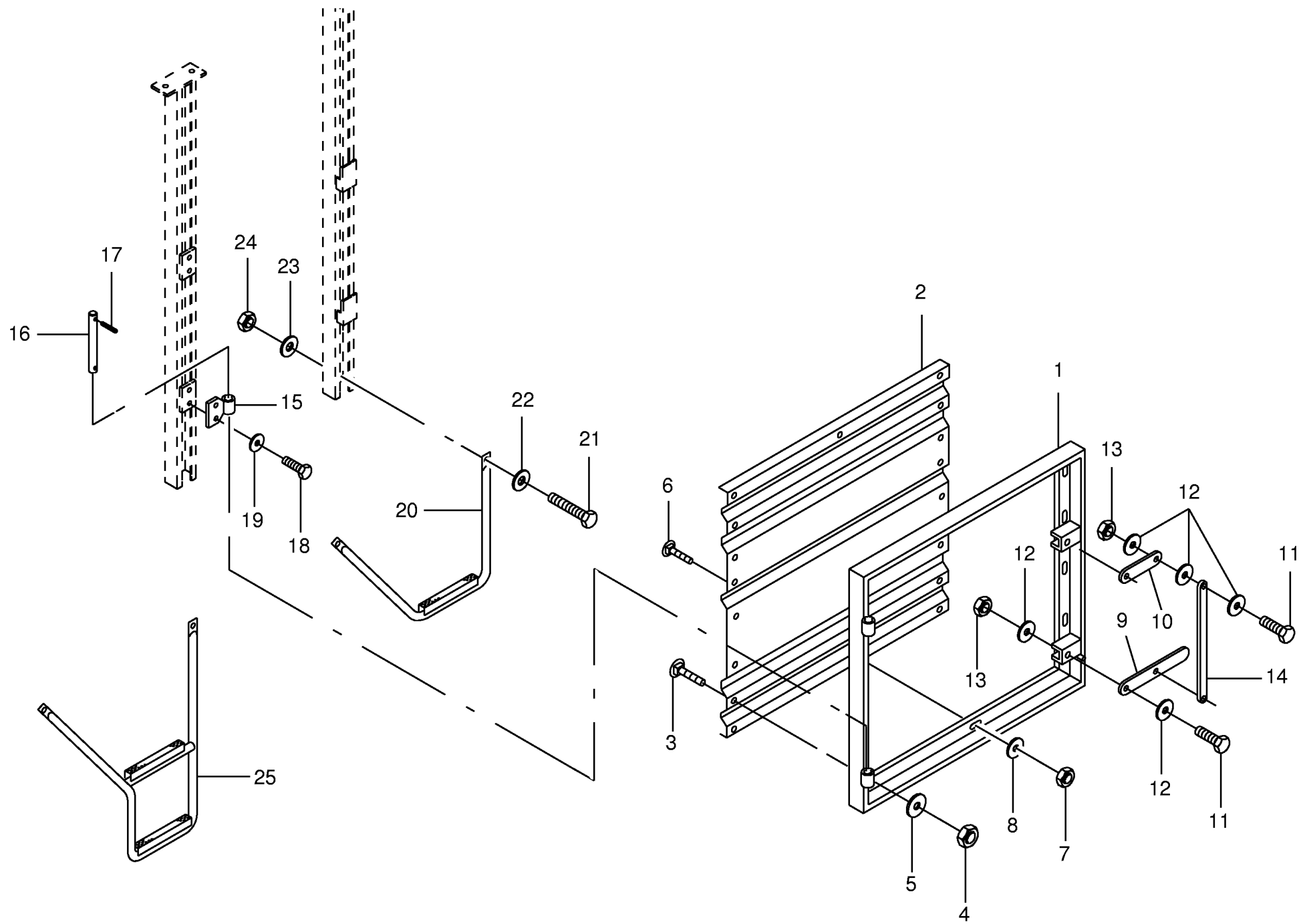




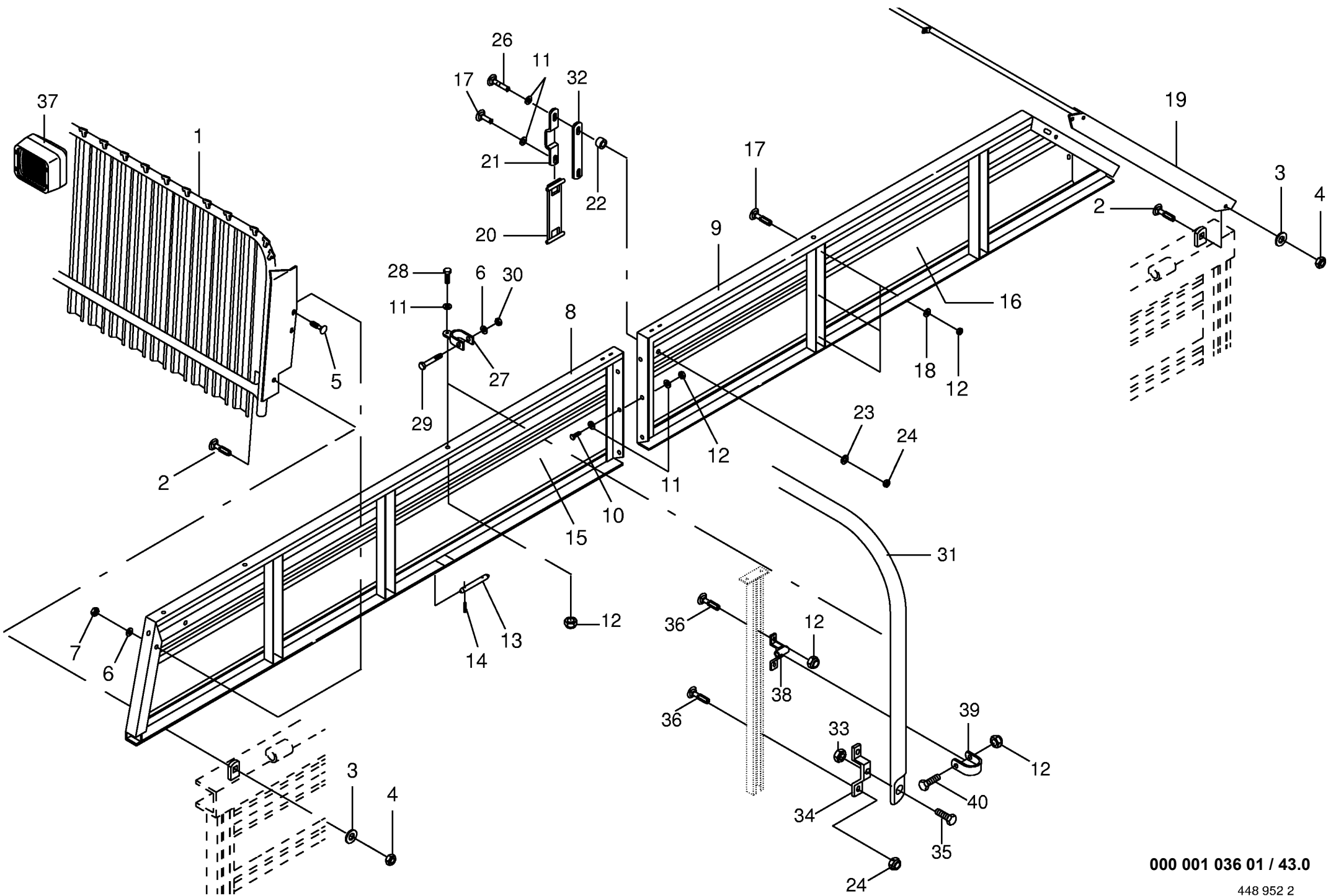
000 001 036 01 / 41.0



000 001 036 01 / 41.0



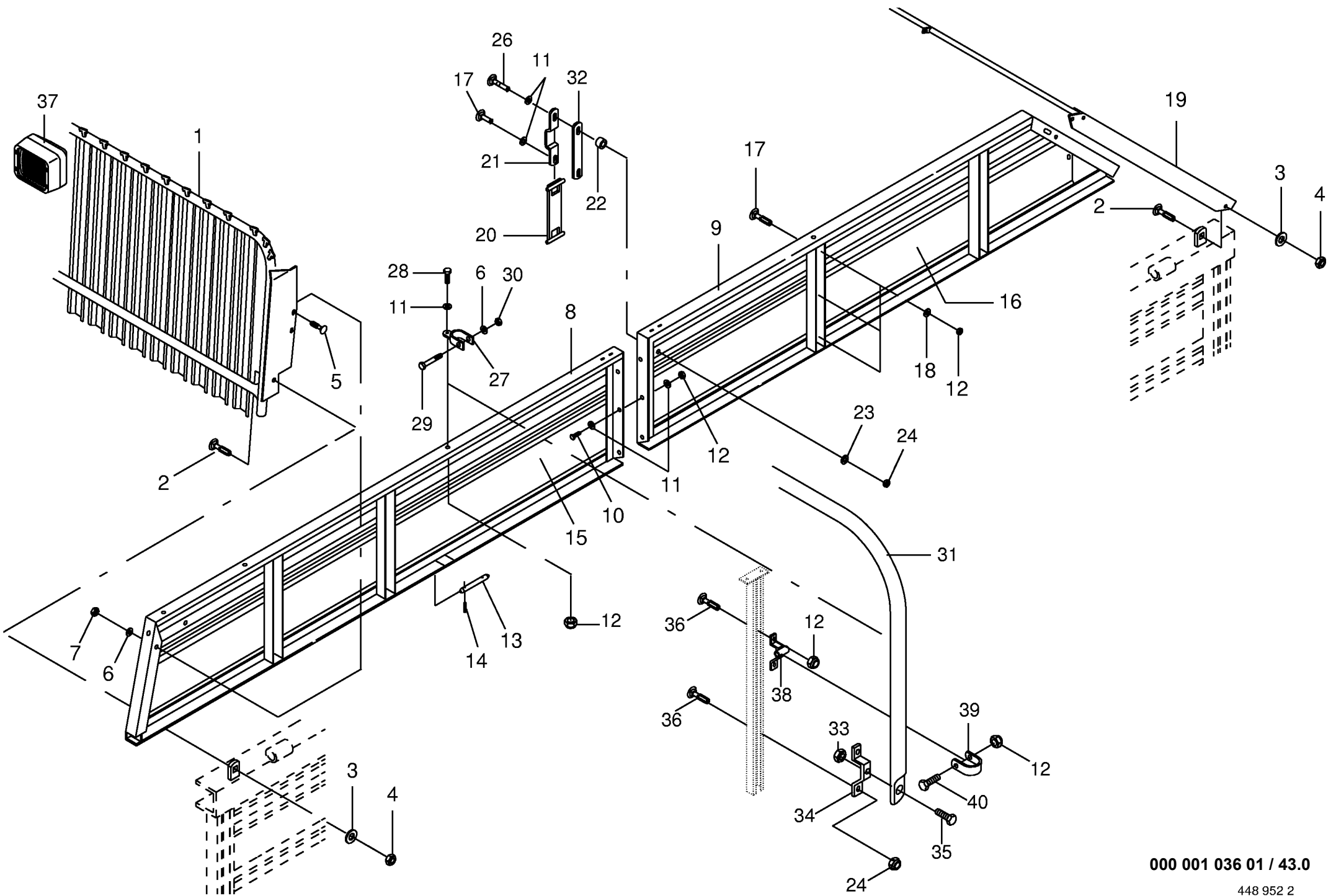
000 001 036 01 / 42.0



000 001 036 01 / 43.0

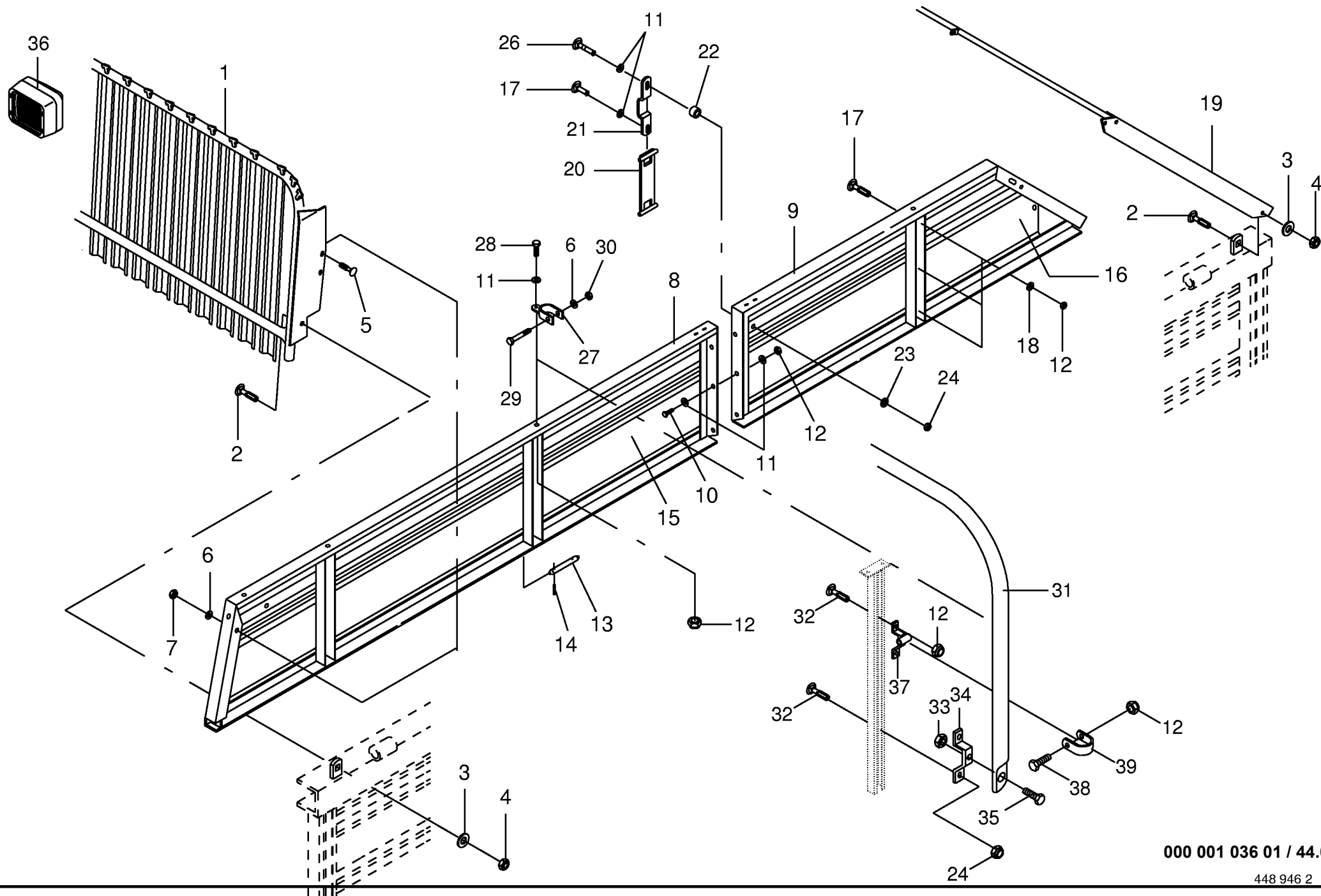
448 952 2

| Aufbau oben Super structure (Above) Parois superieures de la caisse | | | | | 434400 - 486745 | 4 X L / R - G L | X X L / R - G L | | | 000 001 036 01 |
|---|--------------|--------------------------------|-------------------------------|--------------------------------|-----------------|--------------------------------------|--------------------------------------|--|--|----------------------------|
| Pos. | ID-Nr. | Benennung | Description | Description | Masch.-Nr- | | | | | 448 952 2 43.0 |
| | | | | | | | | | | Bemerkung/Remarks/Remarque |
| 1 | 00 334 294 0 | Obere Vorderwand | Top front wall | Paroi avant en haut | | x | | | | |
| 2 | 00 904 708 0 | Flachrundschaube | Flat round bolt | Vis a tête bombée | | x | | | | M 16 X 40 |
| 3 | 00 910 303 1 | Scheibe | Washer | Rondelle | | x | | | | 17 X 30 X 3 |
| 4 | 00 908 716 1 | Sicherungsmutter | Hex nut | Ecrou 6 pans | | x | | | | M 16 |
| 5 | 00 905 177 1 | Flachrundschaube | Flat round bolt | Vis a tête bombée | | x | | | | M 12 X 30 |
| 6 | 00 910 506 1 | Scheibe | Washer | Rondelle | | x | | | | 13 X 24 X 2,5 |
| 7 | 00 908 215 0 | 6kt-Mutter | Hex nut | Écrou hex | | x | | | | M 12 |
| 8 | 00 333 319 0 | Oberer Seitenwandrahmen vo.li. | Top front side panel frame LH | Cadre paroi laterale av. gauch | | x | | | | |
| 9 | 00 333 320 0 | Oberer Seitenwandrahmen vo.re. | Top front side panel frame RH | Cadre paroi laterale av. droit | | x | | | | |
| | 00 333 551 0 | Oberer Seitenwandrahmen hi.li. | Top back side panel frame LH | Cadre paroi laterale arr.gauch | | x | | | | |
| | 00 333 552 0 | Oberer Seitenwandrahmen hi.re. | Top back side panel frame RH | Cadre paroi laterale arr.droit | | x | | | | |
| 10 | 00 900 636 0 | 6kt-Schraube | Hex head bolt | Boulon tête hex | | x | | | | M 10 X 25 |
| 11 | 00 910 414 0 | Scheibe | Washer | Rondelle | | x | | | | 10,5 X 21 X 2 |
| 12 | 00 908 758 0 | Sicherungsmutter | Securing nut | Écrou-frein | | x | | | | M 10 |
| 13 | 00 344 892 0 | Schanierbolzen | Hinge pin | Axe de charniere | | x | | | | |
| 14 | 00 912 579 1 | Spannhülse | Clamping sleeve | Douille de serrage | | x | | | | 4 X 20 |
| 15 | 00 333 549 0 | Seitenblech oben vorn links | Top front side panel lh side | Tôle laterale avant en haut cõ | | x | | | | |
| | 00 333 550 0 | Seitenblech oben vorn rechts | Top front side panel rh side | Tôle laterale avant en haut cõ | | x | | | | |
| 16 | 00 333 321 0 | Seitenwandrahmen hinten links | Back side panel frame lh | Cadre paroi laterale arr. gau. | | x | | | | |
| | 00 333 322 0 | Seitenwandrahmen hinten rechts | Back side panel frame rh | Cadre paroi laterale arr. dro. | | x | | | | |
| 17 | 00 905 252 0 | Flachrundschaube | Flat round bolt | Vis a tête bombée | | x | | | | M 10 X 25 |
| 18 | 00 910 353 0 | Scheibe | Washer | Rondelle | | x | | | | 11 X 34 X 3 |
| 19 | 00 334 309 0 | Quertraverse | Traverse member | Traverse transversale | | x | | | | |
| 20 | 00 341 930 0 | Führung | Guide | Guidage | | x | | | | |
| 21 | 00 341 933 1 | Stütze | Support | Support | | x | | | | |
| 22 | 00 334 229 0 | Distanzstück | Spacer | Pièce d'entretoisement | | x | | | | |
| 23 | 00 909 909 1 | Sperrkantscheibe | Detent edged washer | Disque à bord d'arrêt | | x | | | | SKM 10 |
| 24 | 00 908 212 0 | 6kt-Mutter | Hex nut | Écrou hex | | x | | | | M 10 |
| 26 | 00 905 255 0 | Flachrundschaube | Flat round bolt | Vis a tête bombée | | x | | | | M 10 X 40 |
| 27 | 00 336 479 0 | Bügelhalter | Hoop support | Support d'etrier | | x | | | | |
| 28 | 00 900 634 0 | 6kt-Schraube | Hex head bolt | Boulon tête hex | | x | | | | M 10 X 20 |
| 29 | 00 901 458 0 | 6kt-Schraube | Hex head bolt | Boulon tête hex | | x | | | | M 12 X 90 |
| 30 | 00 908 701 0 | Sicherungsmutter | Securing nut | Écrou-frein | | x | | | | M 12 |
| 31 | 00 334 293 0 | Rohrbügel | Tube bow right | Tube | | x | | | | |
| 32 | 00 333 750 0 | Lasche | Strap | Patte | | x | | | | Fl.30 X 5 X 158 |
| 33 | 00 908 220 0 | 6kt-Mutter | Hex nut | Ecrou | | x | | | | M 16 |
| 34 | 00 332 093 0 | U-Bügel | U-bow | U-branchon | | x | | | | |
| 35 | 00 900 678 0 | 6kt-Schraube | Hex head bolt | Boulon tête hex | | x | | | | M 16 X 60 |



000 001 036 01 / 43.0

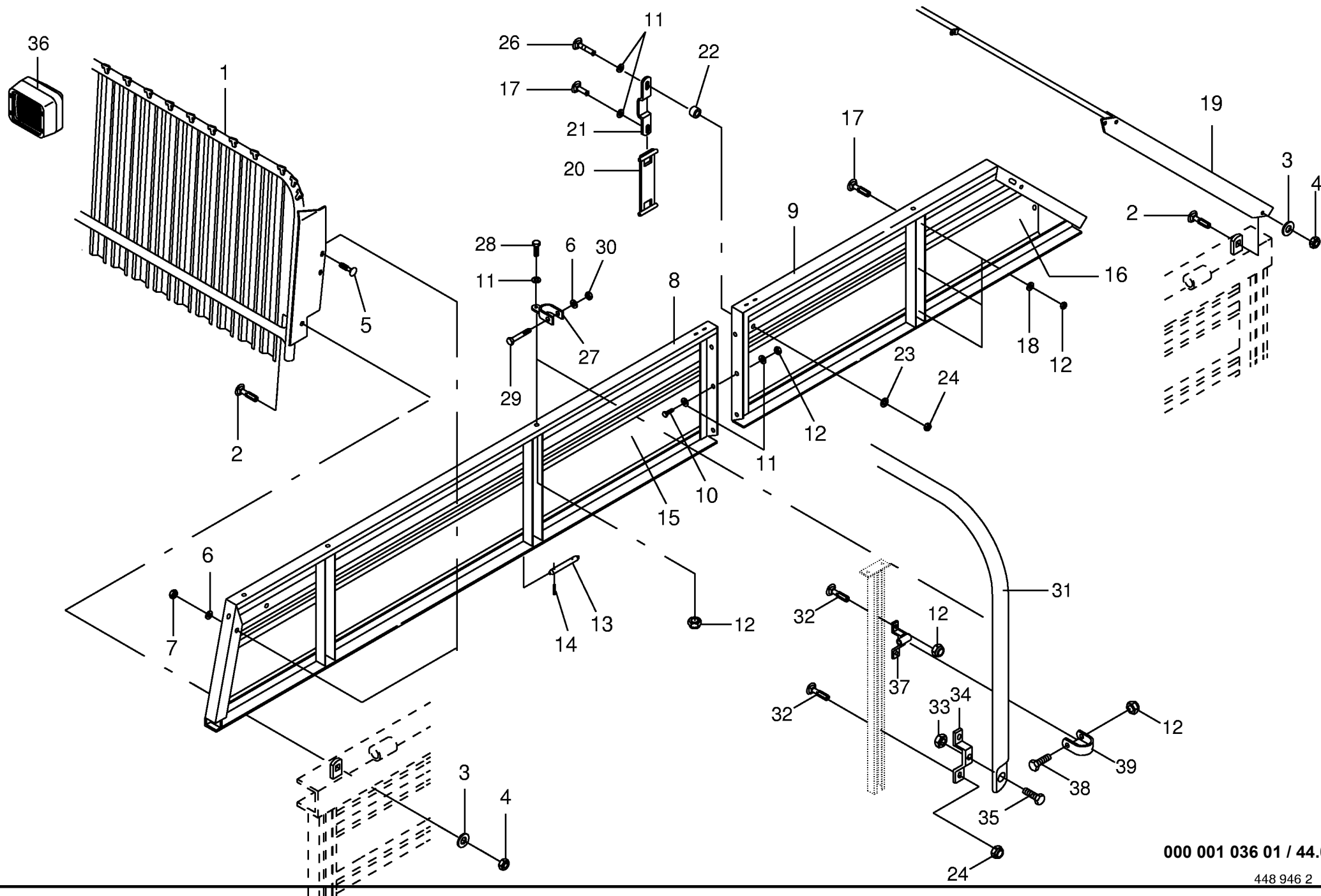
448 952 2



000 001 036 01 / 44.0

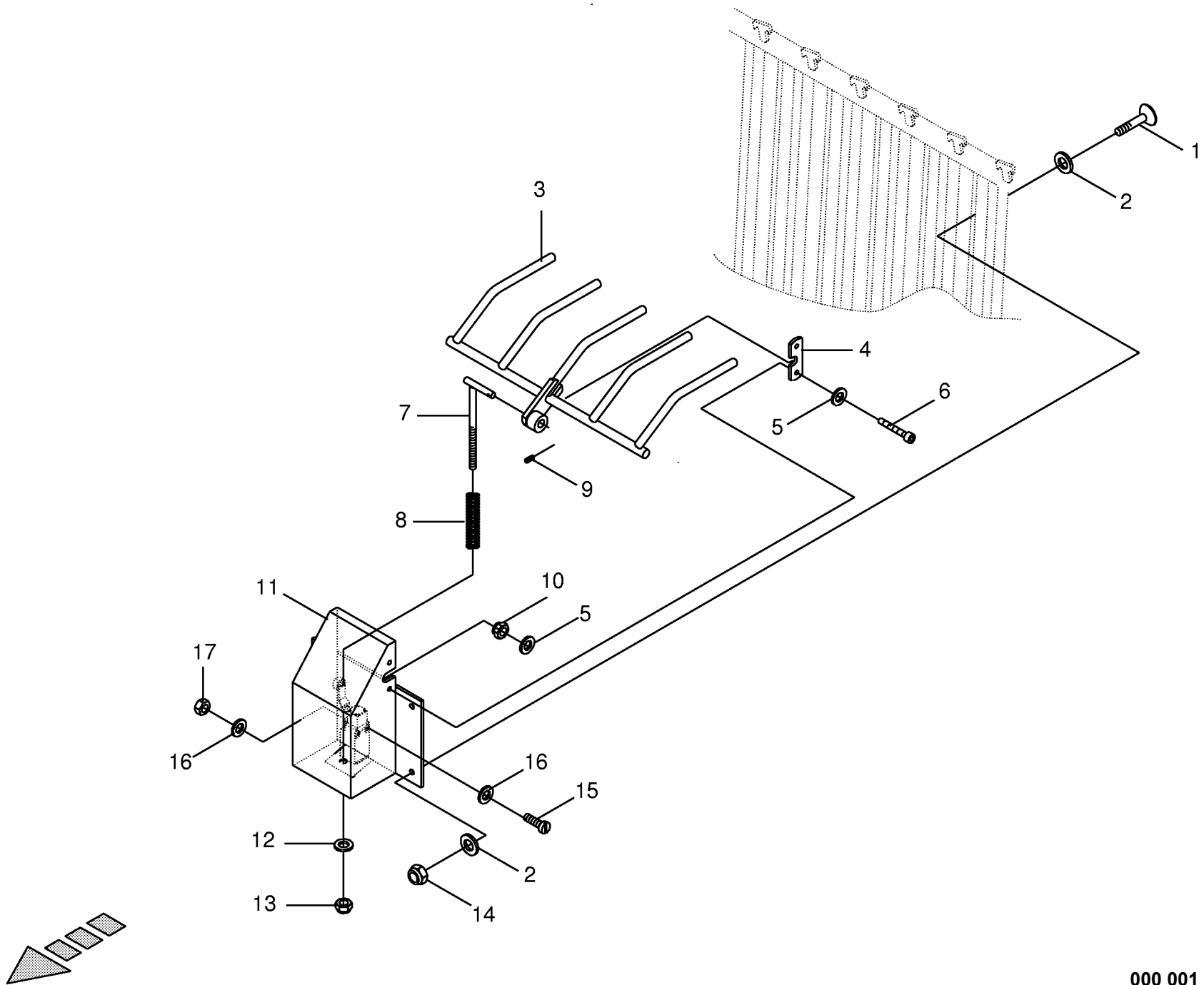
448 946 2

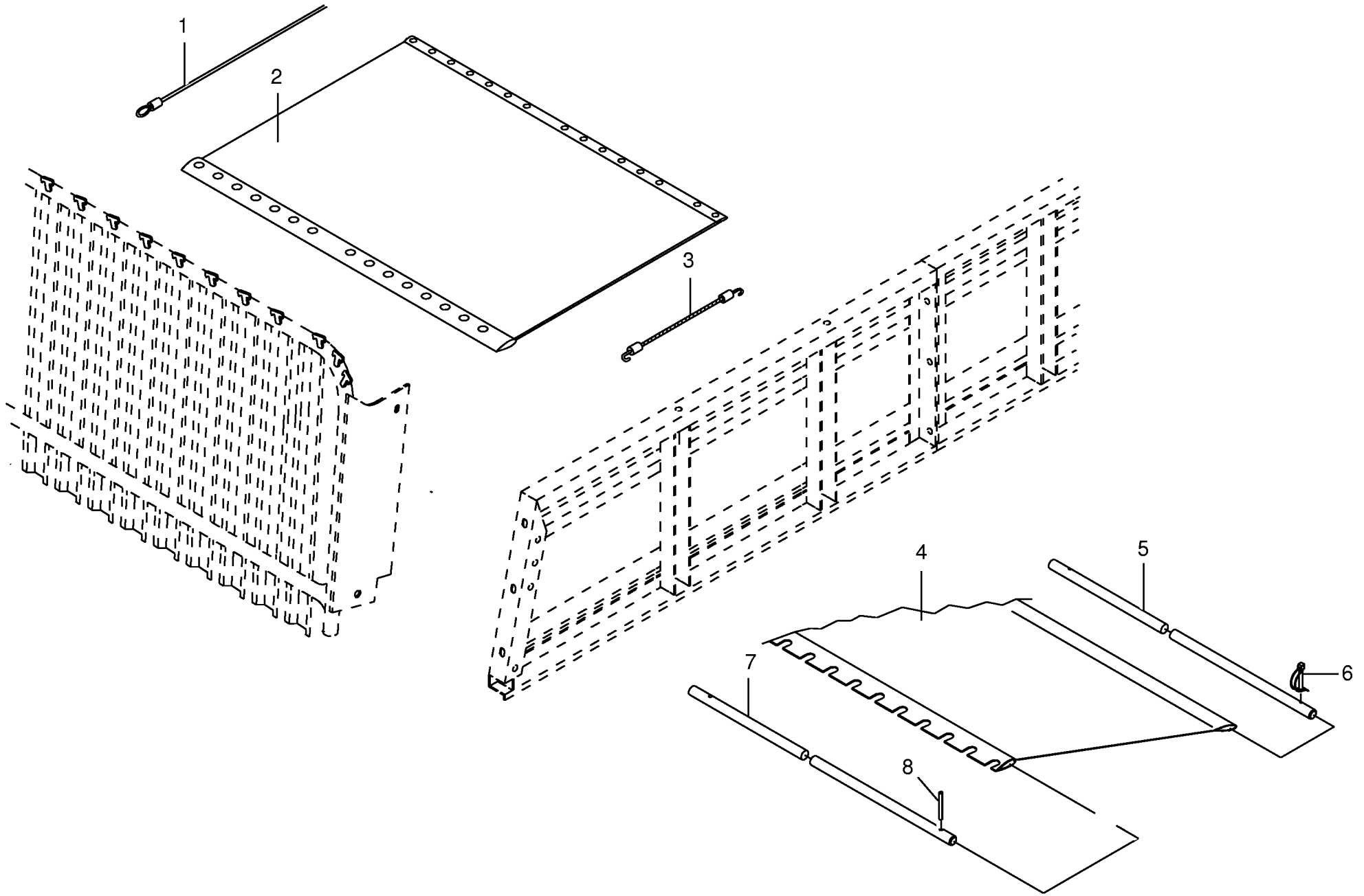
| Aufbau oben Super structure (Above) Parois superieures de la caisse | | | | | 434400 - 486745 | 4 X L / R - G L | X X L / R - G L | | | 000 001 036 01 |
|---|--------------|--------------------------------|-------------------------------|--------------------------------|-----------------|--------------------------------------|--------------------------------------|--|-----------|----------------------------|
| Pos. | ID-Nr. | Benennung | Description | Description | Masch.-Nr- | | | | 448 946 2 | 44.0 |
| | | | | | | | | | | Bemerkung/Remarks/Remarque |
| 1 | 00 334 294 0 | Obere Vorderwand | Top front wall | Paroi avant en haut | | | x | | | |
| 2 | 00 904 708 0 | Flachrundschaube | Flat round bolt | Vis a tête bombée | | | x | | | M 16 X 40 |
| 3 | 00 910 303 1 | Scheibe | Washer | Rondelle | | | x | | | 17 X 30 X 3 |
| 4 | 00 908 716 1 | Sicherungsmutter | Hex nut | Ecrou 6 pans | | | x | | | M 16 |
| 5 | 00 905 177 1 | Flachrundschaube | Flat round bolt | Vis a tête bombée | | | x | | | M 12 X 30 |
| 6 | 00 910 506 1 | Scheibe | Washer | Rondelle | | | x | | | 13 X 24 X 2,5 |
| 7 | 00 908 215 0 | 6kt-Mutter | Hex nut | Écrou hex | | | x | | | M 12 |
| 8 | 00 333 087 1 | Oberer Seitenwandrahmen vo.li. | Top front side panel frame LH | Cadre paroi laterale av. gauch | | | x | | | |
| 9 | 00 333 088 1 | Oberer Seitenwandrahmen vo.re. | Top front side panel frame RH | Cadre paroi laterale av. droit | | | x | | | |
| 10 | 00 333 089 1 | Oberer Seitenwandrahmen hi.li. | Top back side panel frame LH | Cadre paroi laterale arr.gauch | | | x | | | |
| | 00 333 090 1 | Oberer Seitenwandrahmen hi.re. | Top back side panel frame RH | Cadre paroi laterale arr.droit | | | x | | | |
| 10 | 00 900 636 0 | 6kt-Schraube | Hex head bolt | Boulon tête hex | | | x | | | M 10 X 25 |
| 11 | 00 910 414 0 | Scheibe | Washer | Rondelle | | | x | | | 10,5 X 21 X 2 |
| 12 | 00 908 758 0 | Sicherungsmutter | Securing nut | Écrou-frein | | | x | | | M 10 |
| 13 | 00 344 892 0 | Schanierbolzen | Hinge pin | Axe de charniere | | | x | | | |
| 14 | 00 912 579 1 | Spannhülse | Clamping sleeve | Douille de serrage | | | x | | | 4 X 20 |
| 15 | 00 333 339 0 | Seitenblech oben vorn links | Top front side panel lh side | Tôle laterale avant en haut cõ | | | x | | | |
| 16 | 00 333 340 0 | Seitenblech oben vorn rechts | Top front side panel rh side | Tôle laterale avant en haut cõ | | | x | | | |
| | 00 333 341 0 | Seitenblech oben hinten links | Top rear side panel lh side | Tôle laterale arriere en haut | | | x | | | |
| | 00 333 342 0 | Seitenblech oben hinten rechts | Top rear side panel rh side | Tôle laterale arriere en haut | | | x | | | |
| 17 | 00 905 252 0 | Flachrundschaube | Flat round bolt | Vis a tête bombée | | | x | | | M 10 X 25 |
| 18 | 00 910 353 0 | Scheibe | Washer | Rondelle | | | x | | | 11 X 34 X 3 |
| 19 | 00 334 309 0 | Quertraverse | Traverse member | Traverse transversale | | | x | | | |
| 20 | 00 341 930 0 | Führung | Guide | Guidage | | | x | | | |
| 21 | 00 341 933 1 | Stütze | Support | Support | | | x | | | |
| 22 | 00 334 229 0 | Distanzstück | Spacer | Pièce d'entretoisement | | | x | | | |
| 23 | 00 909 909 1 | Sperrkantscheibe | Detent edged washer | Disque à bord d'arrêt | | | x | | | SKM 10 |
| 24 | 00 908 212 0 | 6kt-Mutter | Hex nut | Écrou hex | | | x | | | M 10 |
| 26 | 00 905 255 0 | Flachrundschaube | Flat round bolt | Vis a tête bombée | | | x | | | M 10 X 40 |
| 27 | 00 336 479 0 | Bügelhalter | Hoop support | Support d'etrier | | | x | | | |
| 28 | 00 900 634 0 | 6kt-Schraube | Hex head bolt | Boulon tête hex | | | x | | | M 10 X 20 |
| 29 | 00 901 458 0 | 6kt-Schraube | Hex head bolt | Boulon tête hex | | | x | | | M 12 X 90 |
| 30 | 00 908 701 0 | Sicherungsmutter | Securing nut | Écrou-frein | | | x | | | M 12 |
| 31 | 00 334 293 0 | Rohrbügel | Tube bow right | Tube | | | x | | | |
| 32 | 00 905 253 0 | Flachrundschaube | Flat round bolt | Vis a tête bombée | | | x | | | M 10 X 30 |
| 33 | 00 908 220 0 | 6kt-Mutter | Hex nut | Ecrou | | | x | | | M 16 |
| 34 | 00 332 093 0 | U-Bügel | U-bow | U-branchon | | | x | | | |
| 35 | 00 900 678 0 | 6kt-Schraube | Hex head bolt | Boulon tête hex | | | x | | | M 16 X 60 |

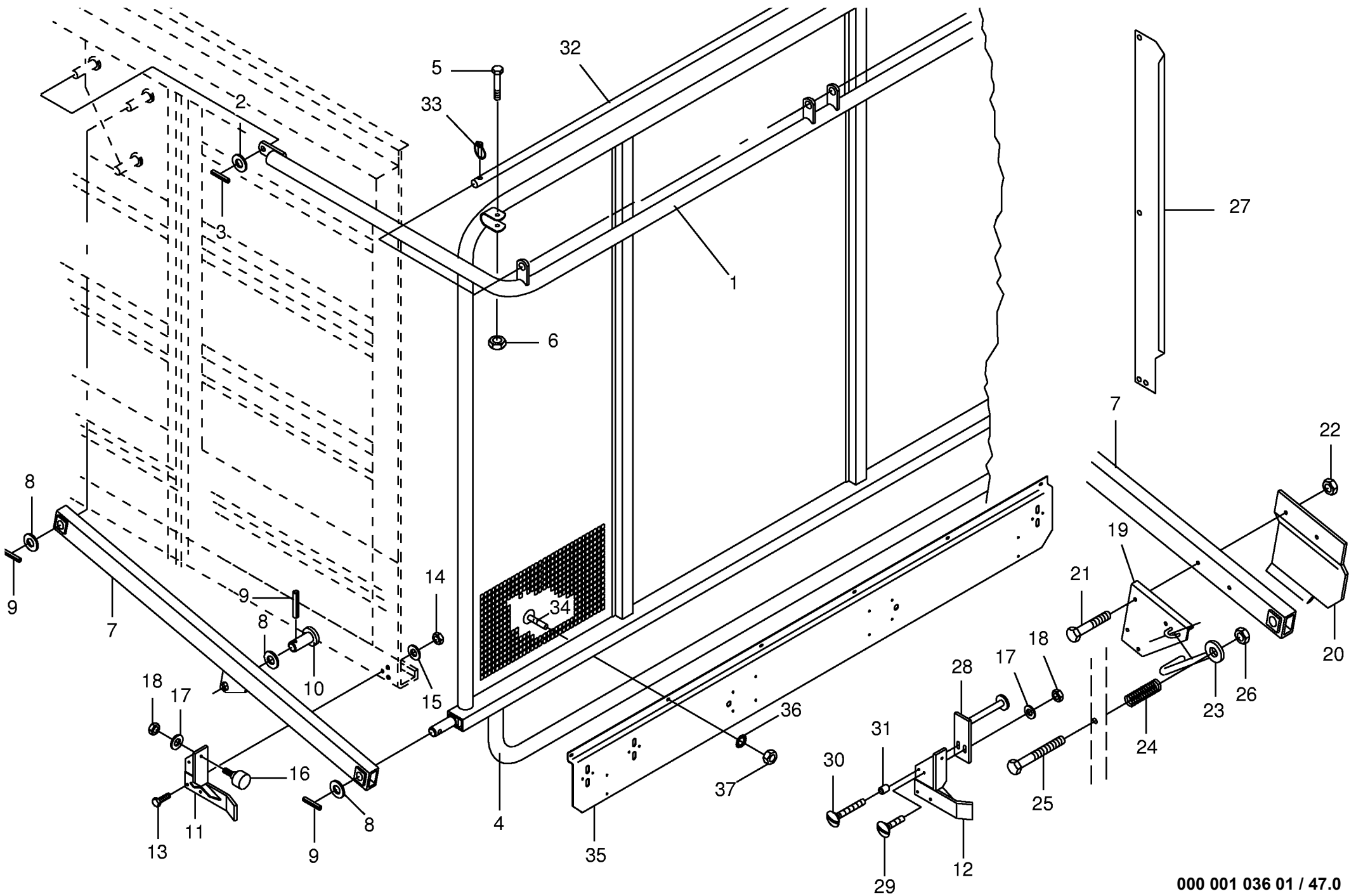


000 001 036 01 / 44.0

448 946 2

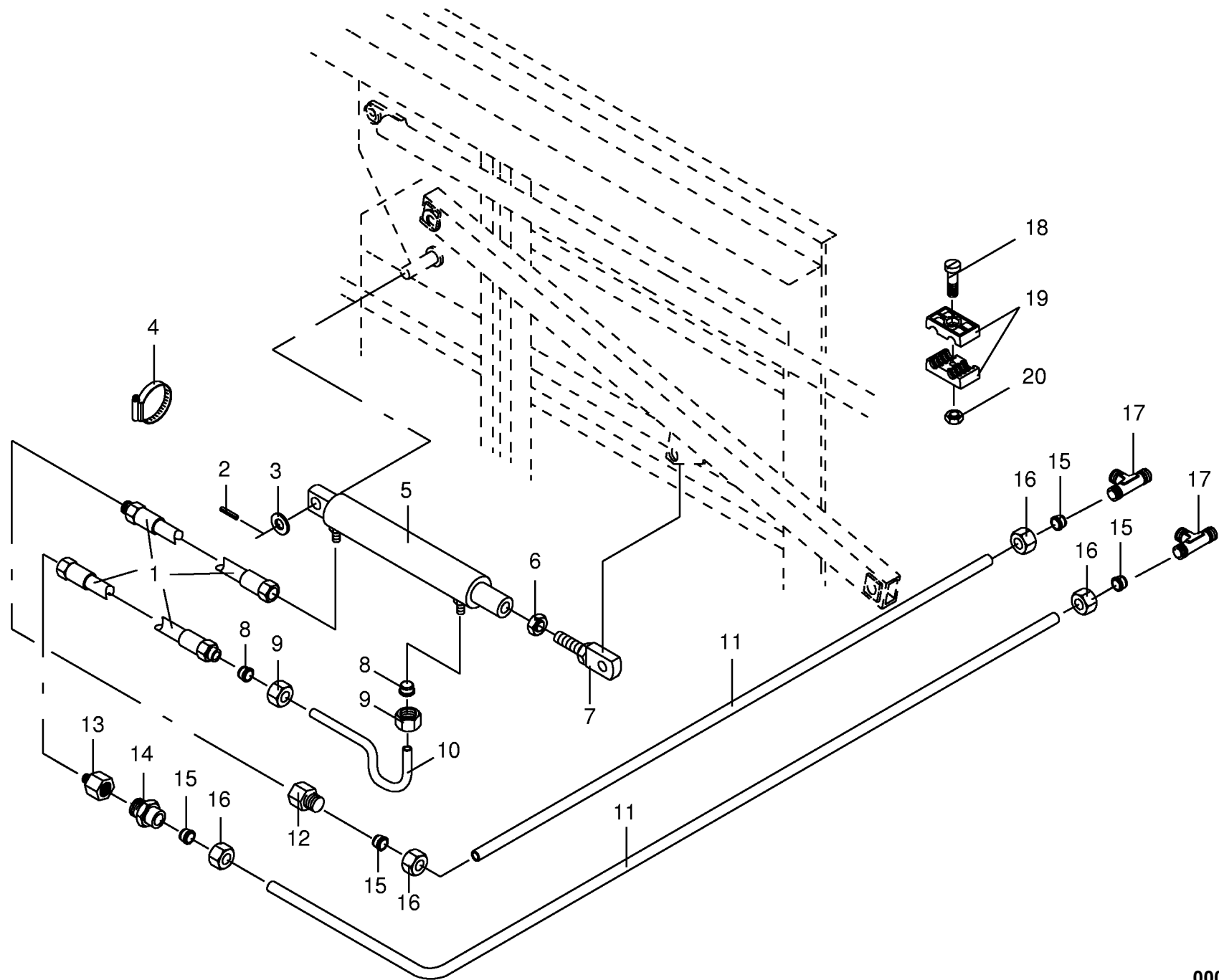




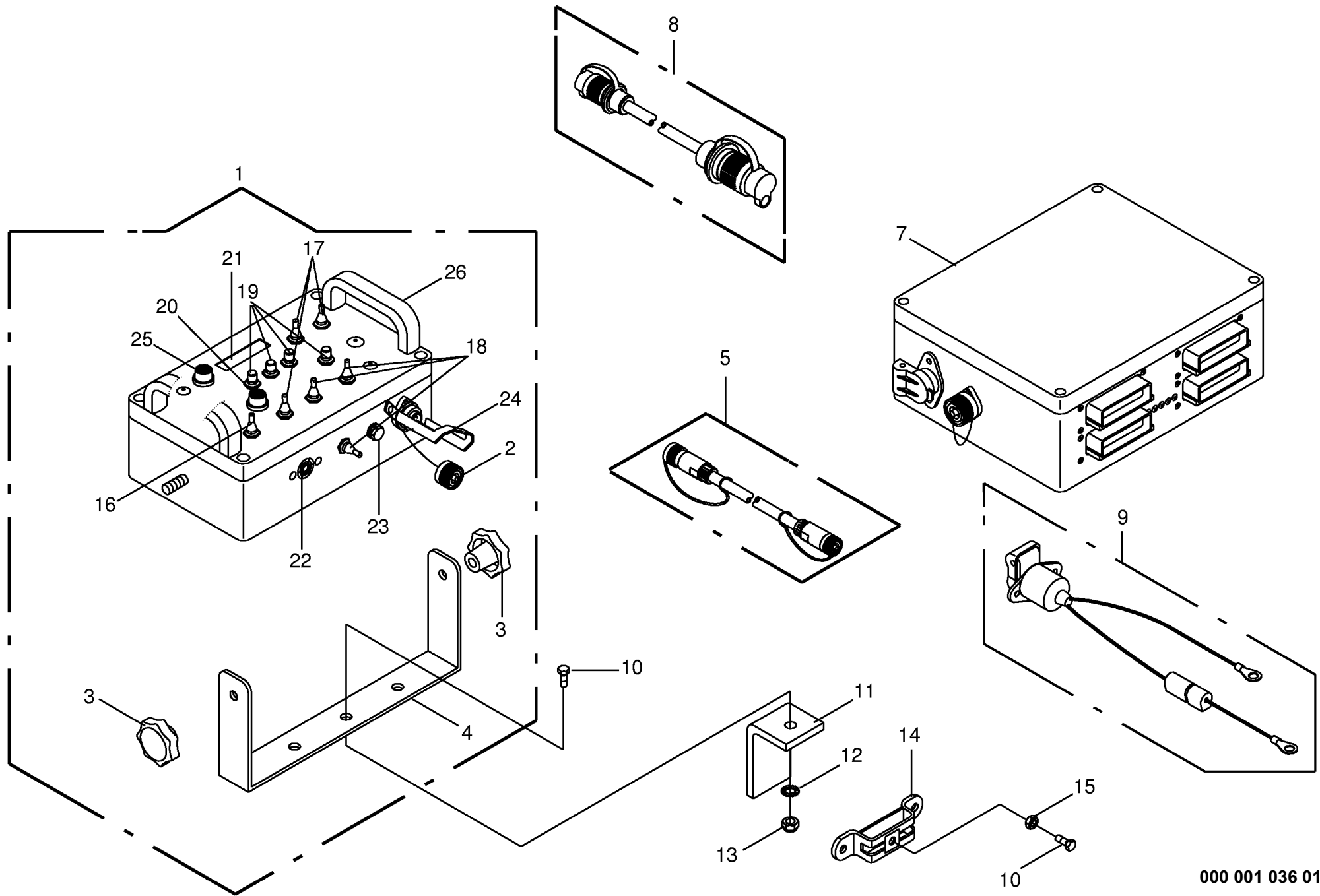


000 001 036 01 / 47.0

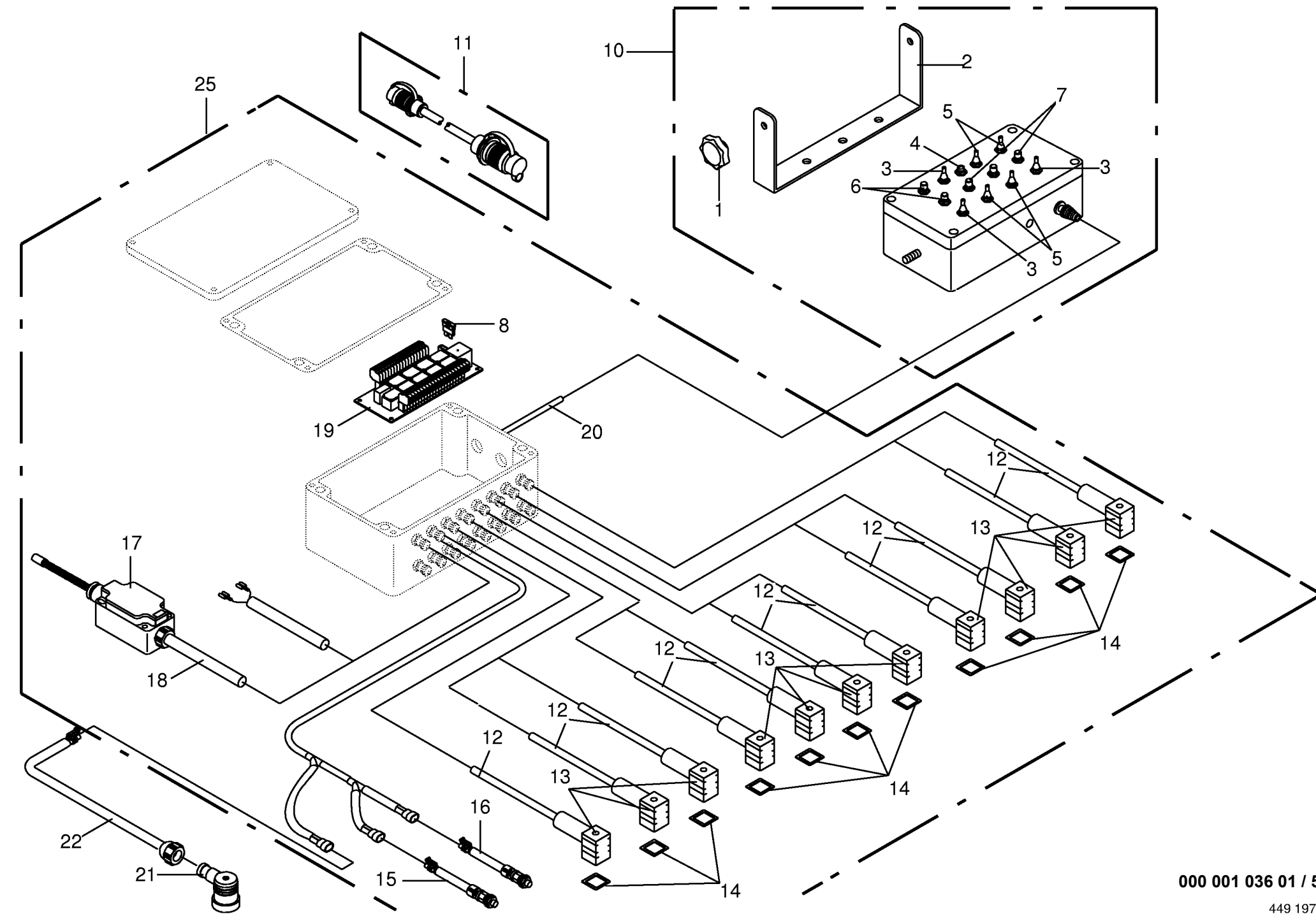
| Rückwand Rear panel Porte arriere complete | | | | | 434400 - 486745 | 4 X L / R - G L | X X L / R - G L | | | | 000 001 036 01 |
|--|--------------|------------------|---------------------|----------------------------|-----------------|--------------------------------------|--------------------------------------|--|--|----------------------------|----------------|
| Pos. | ID-Nr. | Benennung | Description | Description | Masch.-Nr- | | | | | 448 902 1 | 47.0 |
| | | | | | | | | | | Bemerkung/Remarks/Remarque | |
| 1 | 00 334 290 0 | Rohrbügel oben | Top hoop | Etrier superieur | | x | x | | | | |
| 2 | 00 910 514 1 | Scheibe | Washer | Rondelle | | x | x | | | 26 X 44 X 4 | |
| 3 | 00 912 670 0 | Spannhülse | Clamping sleeve | Douille de serrage | | x | x | | | 8 X 40 | |
| 4 | 00 334 281 0 | Rückwand | Rear panel | Panneau arriere | | x | x | | | | |
| 5 | 00 901 437 0 | 6kt-Schraube | Hex head bolt | Boulon tête hex | | x | x | | | M 10 X 70 | |
| 6 | 00 908 758 0 | Sicherungsmutter | Securing nut | Écrou-frein | | x | x | | | M 10 | |
| 7 | 00 336 231 1 | Unterlenker | Lower control arm | Bras de commande inferieur | | x | x | | | | |
| 8 | 00 910 514 1 | Scheibe | Washer | Rondelle | | x | x | | | 26 X 44 X 4 | |
| 9 | 00 912 670 0 | Spannhülse | Clamping sleeve | Douille de serrage | | x | x | | | 8 X 40 | |
| 10 | 00 336 477 0 | Bolzen | Pin | Boulon | | x | x | | | RD 25 X 62 | |
| 11 | 00 334 299 0 | Anschlag links | Lh limit stop | Butee gauche | | x | x | | | | |
| 12 | 00 334 300 0 | Anschlag rechts | Rh limit stop | Butee droite | | x | x | | | | |
| 13 | 00 900 656 0 | 6kt-Schraube | Hex head bolt | Boulon tête hex | | x | x | | | M 12 X 30 | |
| 14 | 00 908 701 0 | Sicherungsmutter | Securing nut | Écrou-frein | | x | x | | | M 12 | |
| 15 | 00 910 506 1 | Scheibe | Washer | Rondelle | | x | x | | | 13 X 24 X 2,5 | |
| 16 | 00 185 523 1 | Gummipuffer | Rubber pad | Tampon en caoutchouc | | x | x | | | Rd. 60, M 10 X 32 | |
| 17 | 00 910 414 0 | Scheibe | Washer | Rondelle | | x | x | | | 10,5 X 21 X 2 | |
| 18 | 00 908 758 0 | Sicherungsmutter | Securing nut | Écrou-frein | | x | x | | | M 10 | |
| 19 | 00 336 929 0 | Halblech | Holding plate | Tôle de fixation | | x | x | | | | |
| 20 | 00 336 931 1 | Halblech | Holding plate | Tôle de fixation | | x | x | | | | |
| 21 | 00 901 046 0 | 6kt-Schraube | Hex head bolt | Boulon tête hex | | x | x | | | M 8 X 55 | |
| 22 | 00 908 706 0 | Sicherungsmutter | Hex nut | Ecrou hex | | x | x | | | M 8 | |
| 23 | 00 336 908 0 | Schaltstange | Lever | Levier | | x | x | | | | |
| 24 | 00 052 053 1 | Druckfeder | Pressure spring | Ressort de pression | | x | x | | | 2,5 X 15 X 23 | |
| 25 | 00 901 438 0 | 6kt-Schraube | Hex head bolt | Boulon tête hex | | x | x | | | M 10 X 80 | |
| 26 | 00 908 758 0 | Sicherungsmutter | Securing nut | Écrou-frein | | x | x | | | M 10 | |
| 27 | 00 333 674 0 | Halblech | Holding plate | Tôle de fixation | | x | x | | | | |
| 28 | 00 334 480 0 | Halter | Support | Cadre support | | x | x | | | | |
| 29 | 00 905 252 0 | Flachrundschaube | Flat round bolt | Vis a tête bombée | | x | x | | | M 10 X 25 | |
| 30 | 00 905 255 0 | Flachrundschaube | Flat round bolt | Vis a tête bombée | | x | x | | | M 10 X 40 | |
| 31 | 00 344 518 2 | Distanzrohr | Distance tube | Entretoise d'écartement | | x | x | | | | |
| 32 | 00 334 306 0 | Rohr | Tube | Tube | | x | x | | | lg.=2222 mm | |
| 33 | 00 917 004 1 | Klappstecker | Linch pin | Goupille clip | | x | x | | | 5 X 32 | |
| 34 | 00 905 231 0 | Flachrundschaube | Flat round bolt | Vis a tête bombée | | x | x | | | M 8 X 20 | |
| 35 | 00 333 993 0 | Leuchenträger | Lamp carrier | Porteur de lampe | | x | x | | | | |
| 36 | 00 909 908 0 | Sperrkantscheibe | Detent edged washer | Disque à bord d'arrêt | | x | x | | | SKM 8 | |
| 37 | 00 908 210 0 | 6kt-Mutter | Hex nut | Écrou hex | | x | x | | | M 8 | |

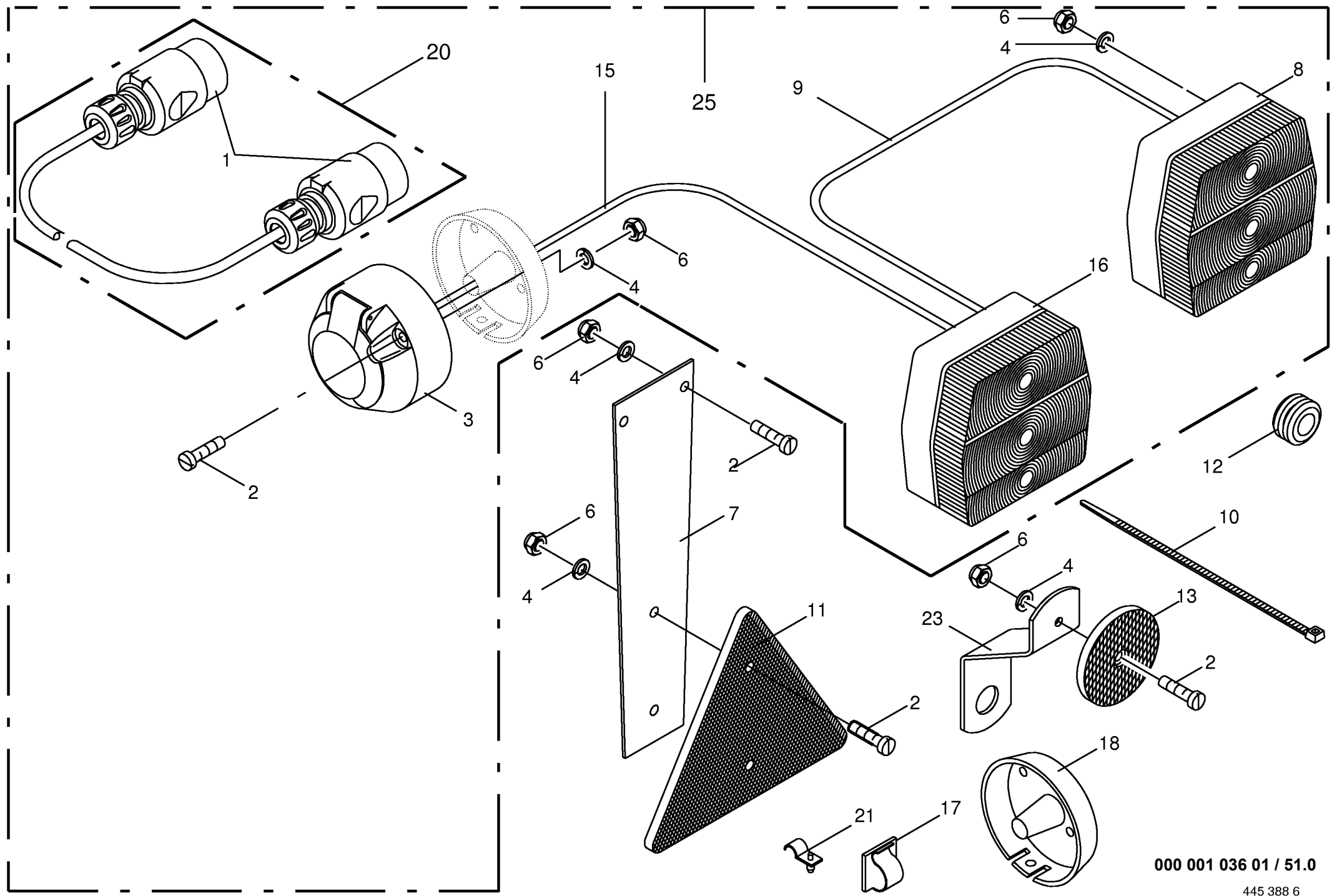


000 001 036 01 / 48.0



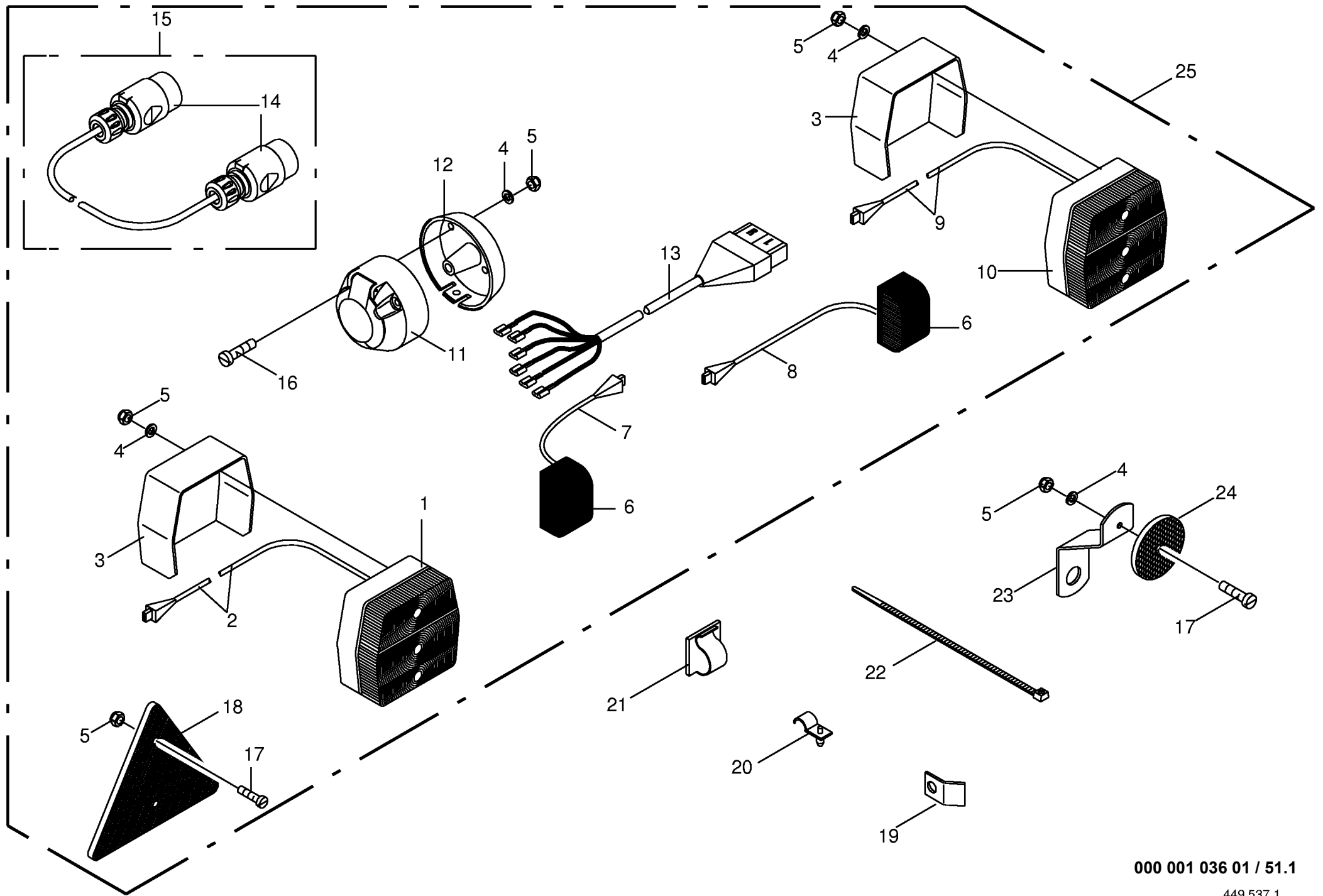
000 001 036 01 / 49.0

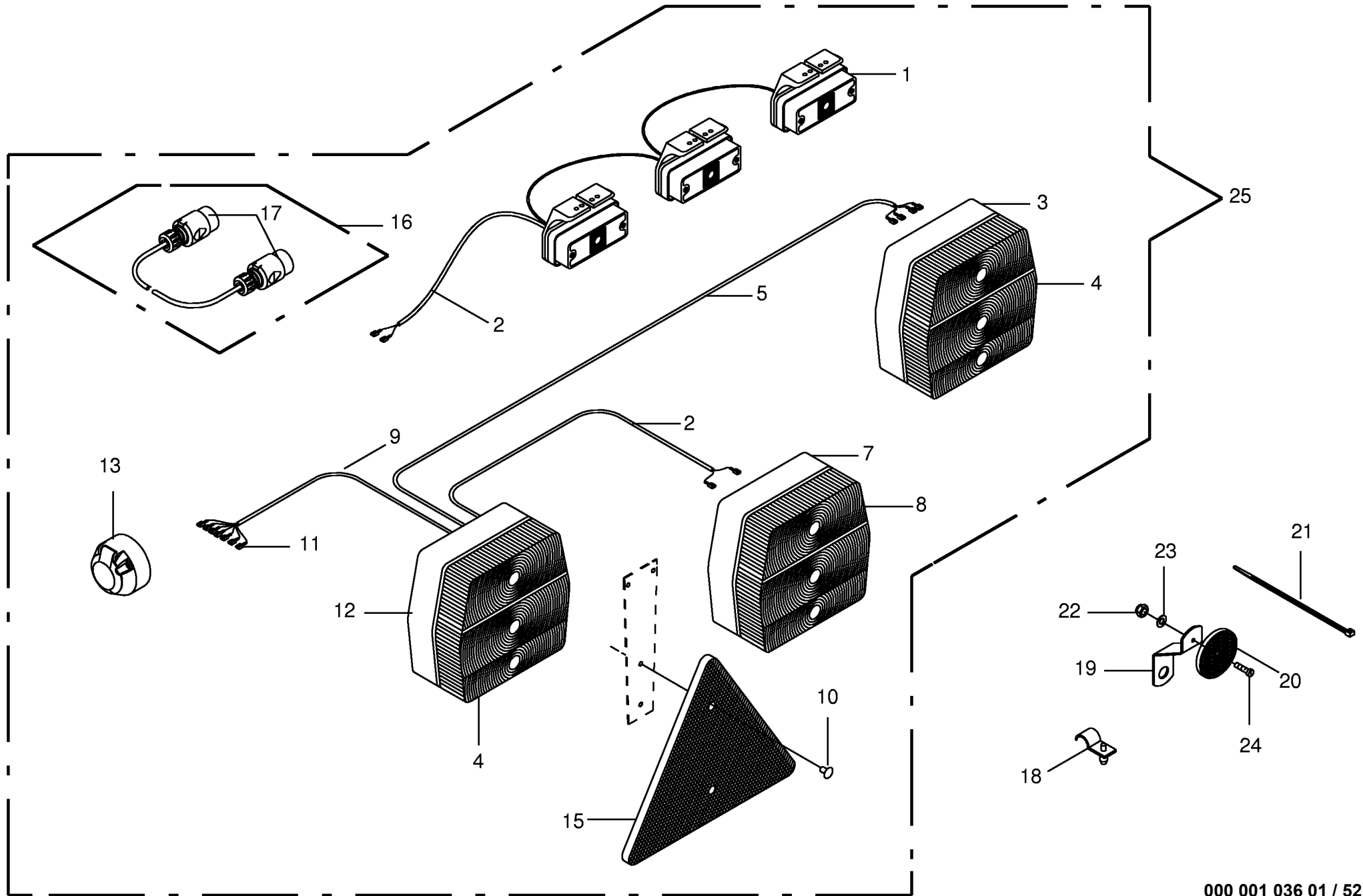




000 001 036 01 / 51.0

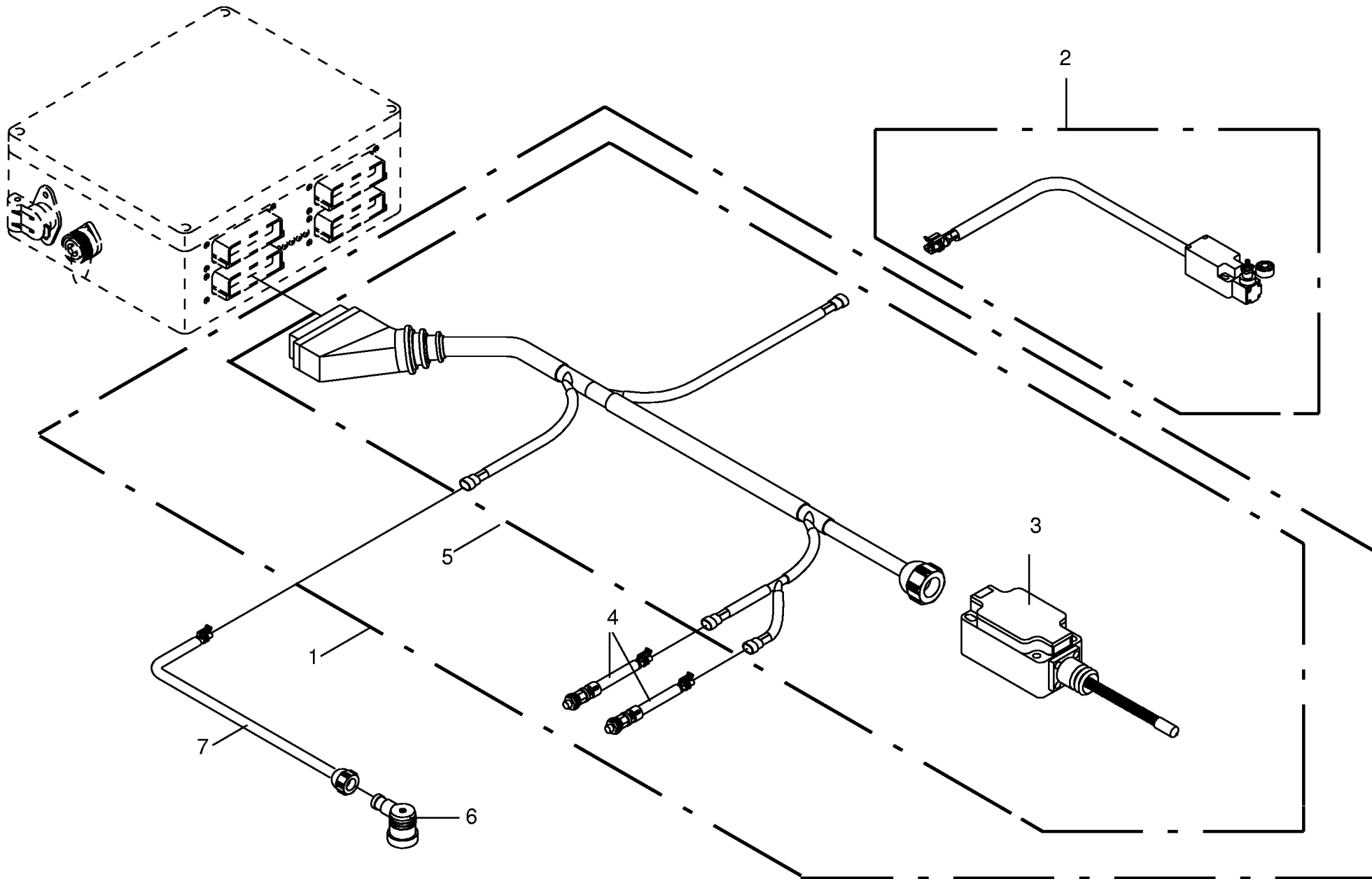
445 388 6

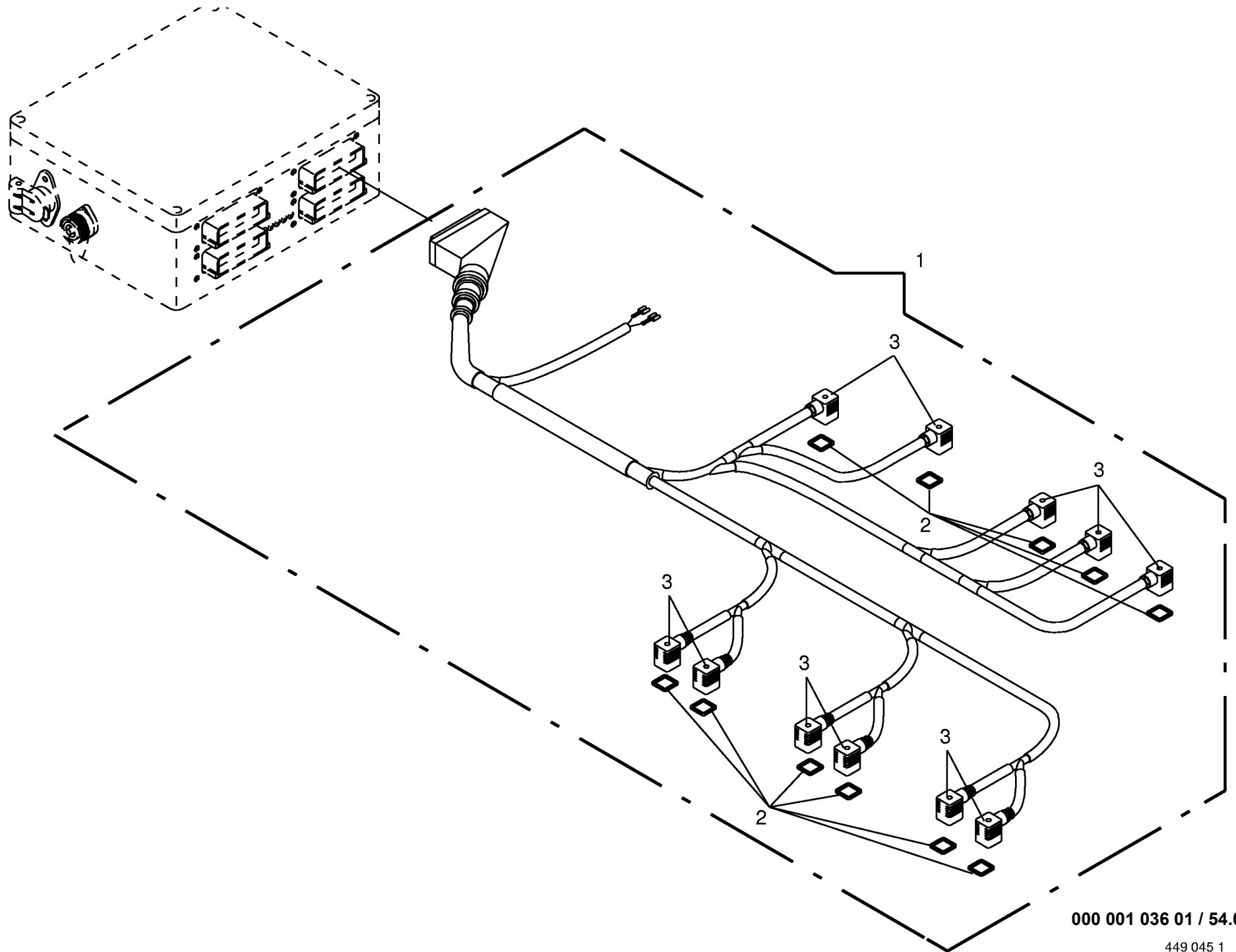




000 001 036 01 / 52.0

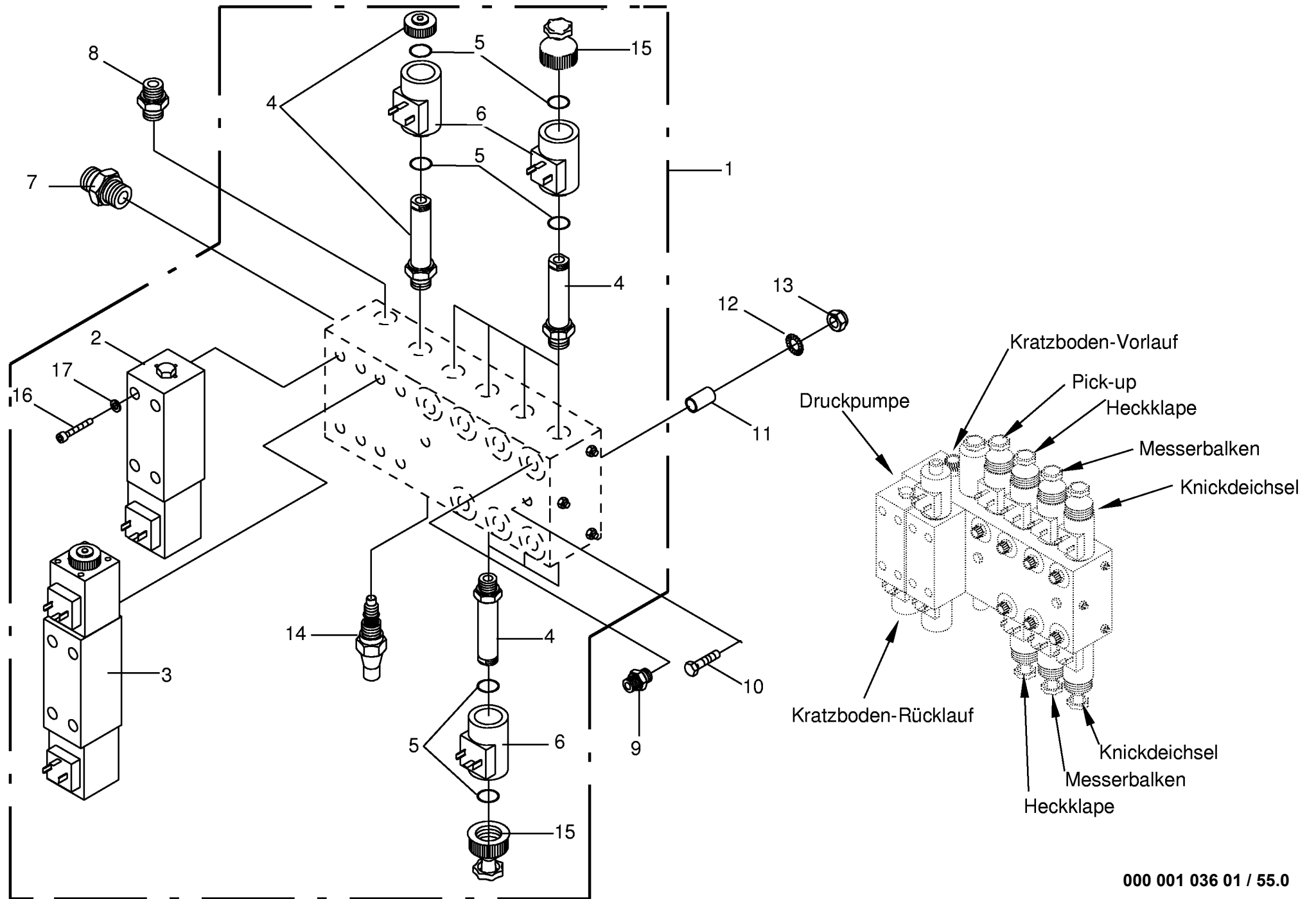
449 016 2



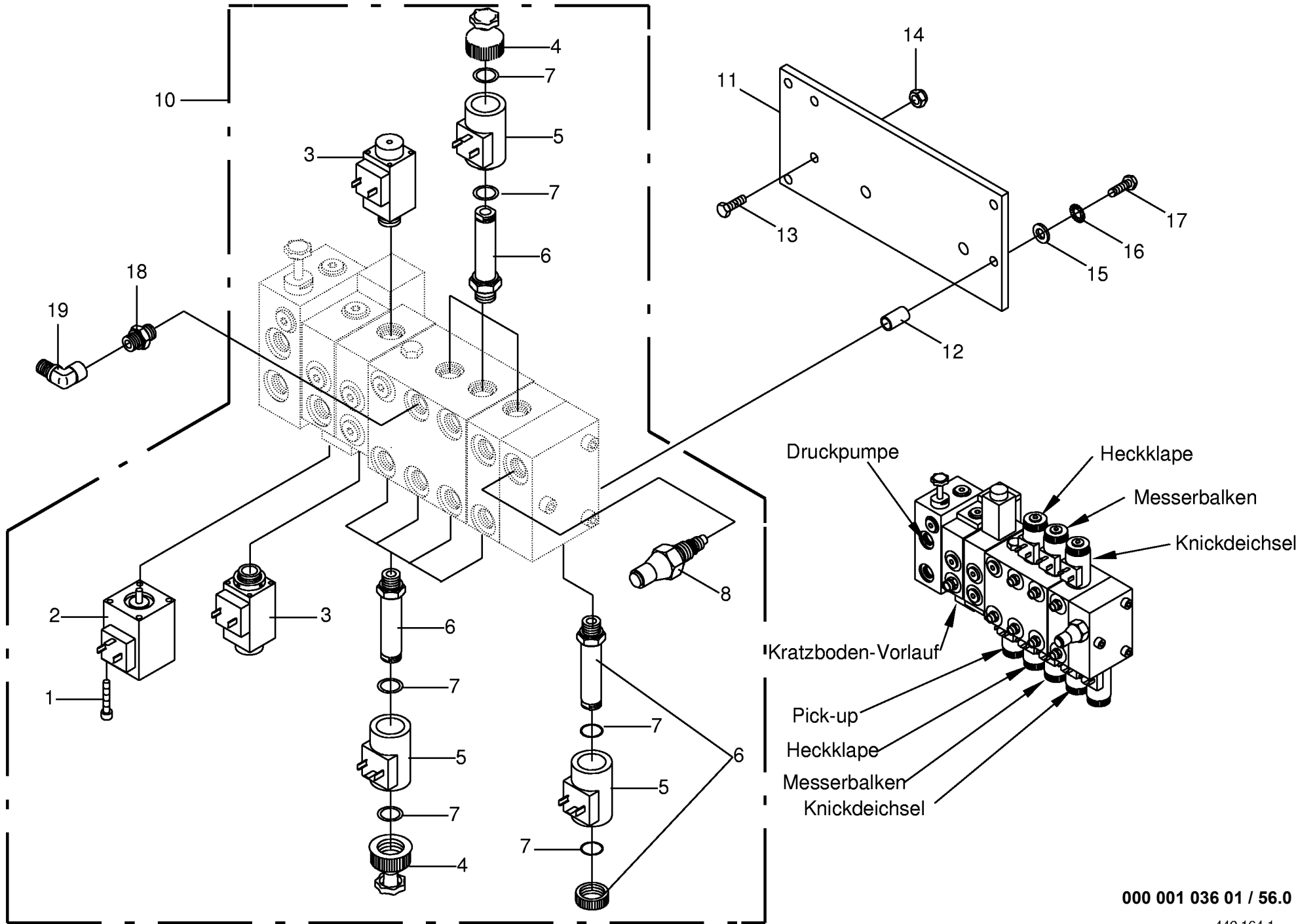


000 001 036 01 / 54.0

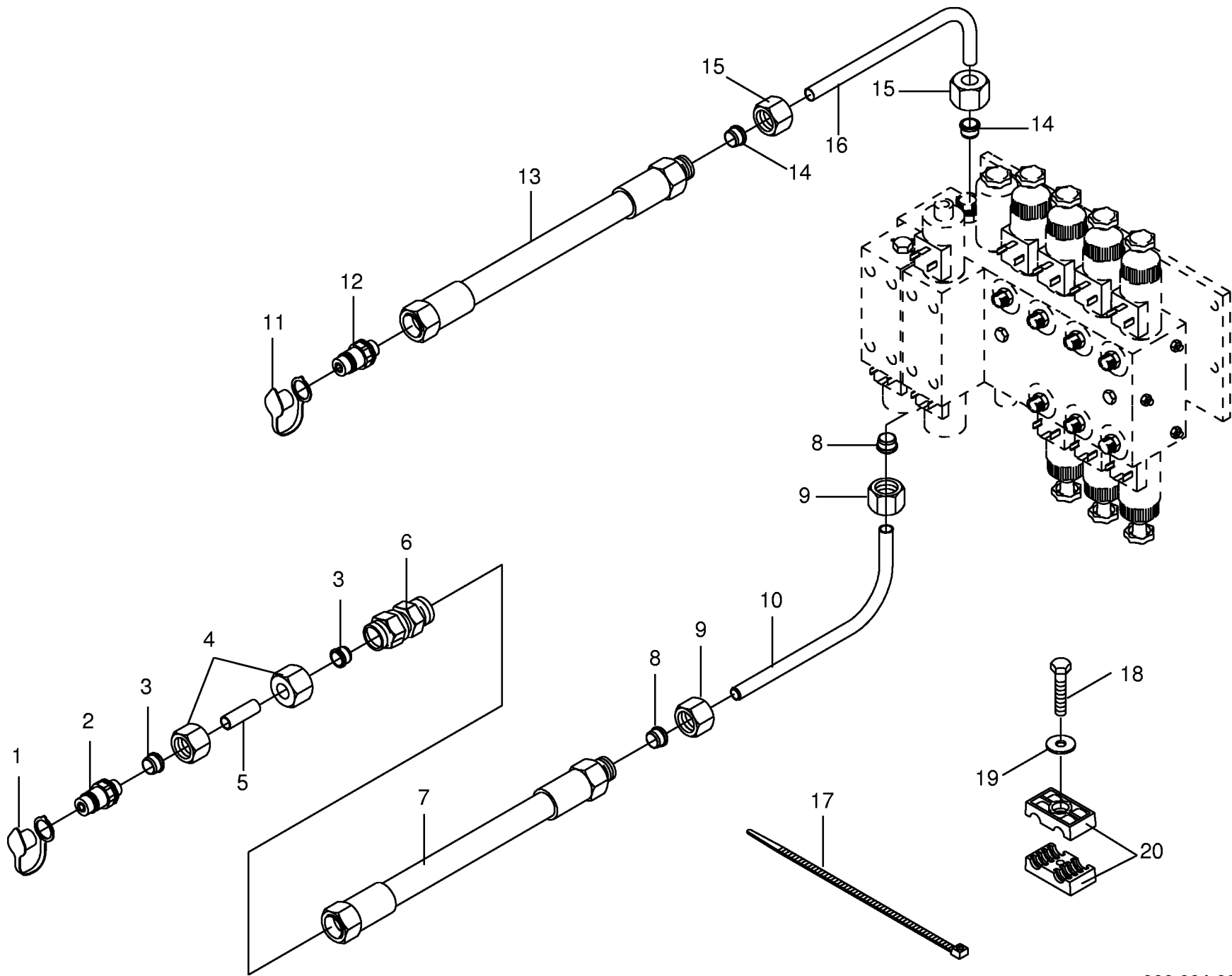
449 045 1



000 001 036 01 / 55.0

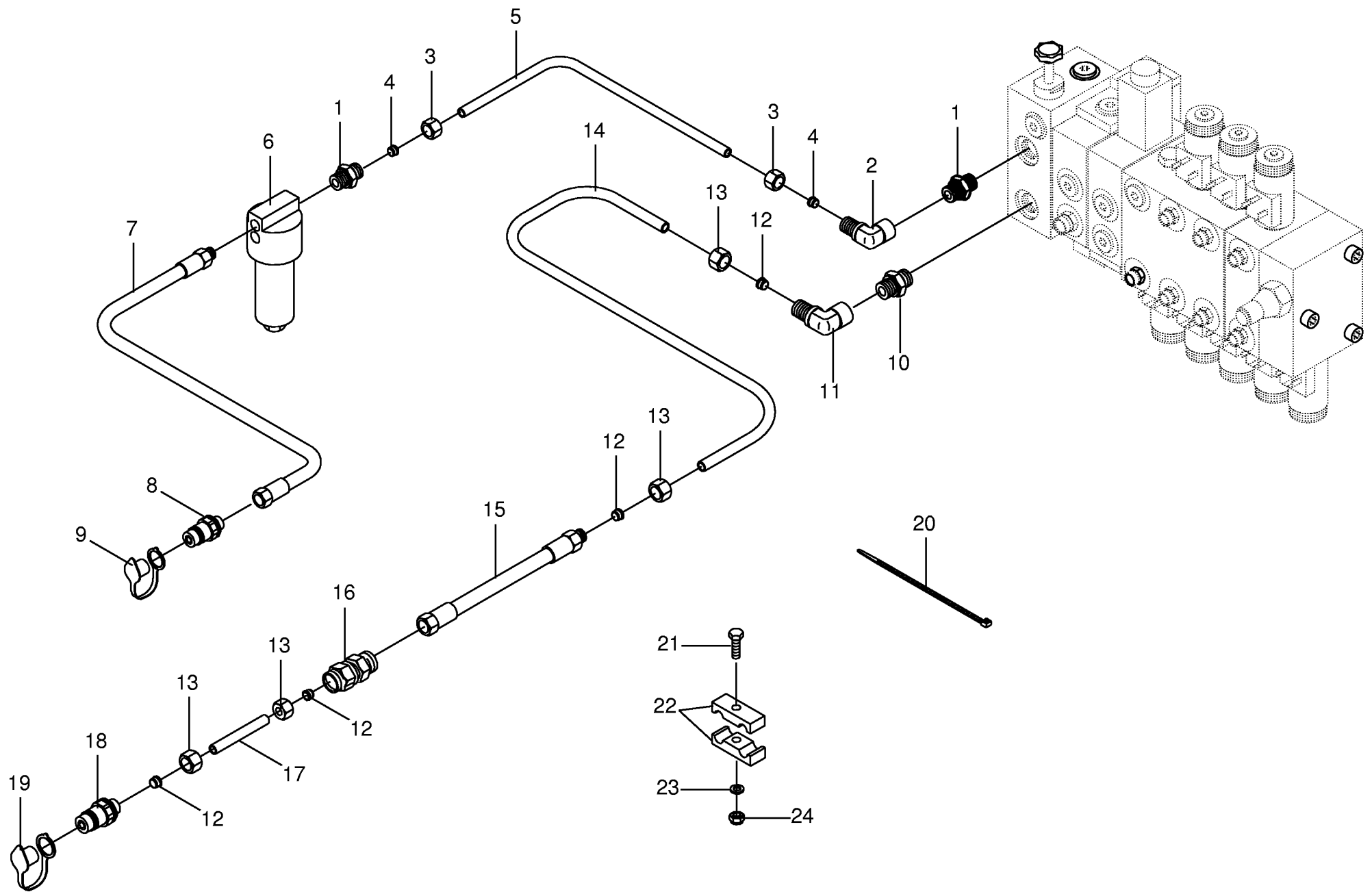


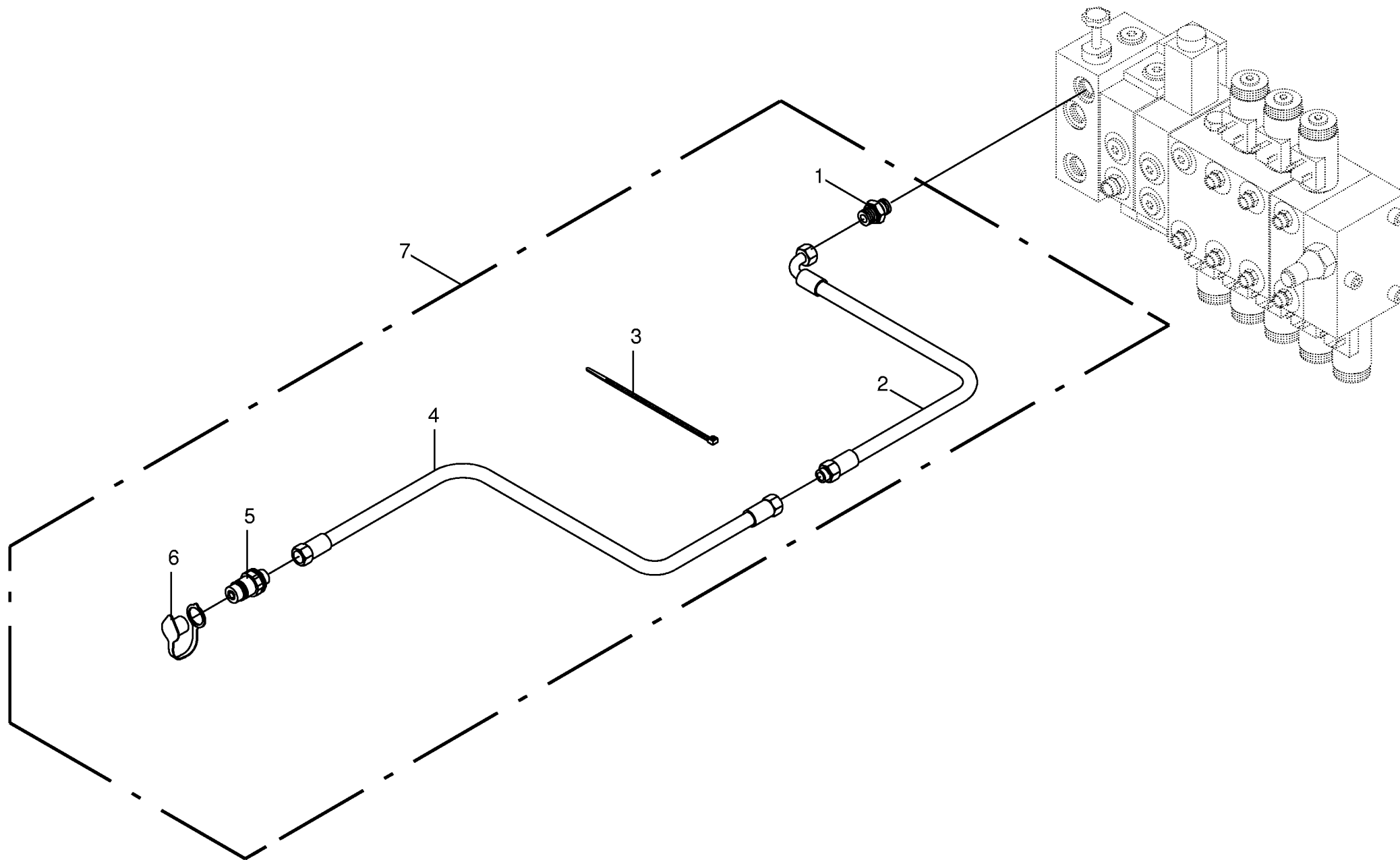
000 001 036 01 / 56.0



000 001 036 01 / 57.0

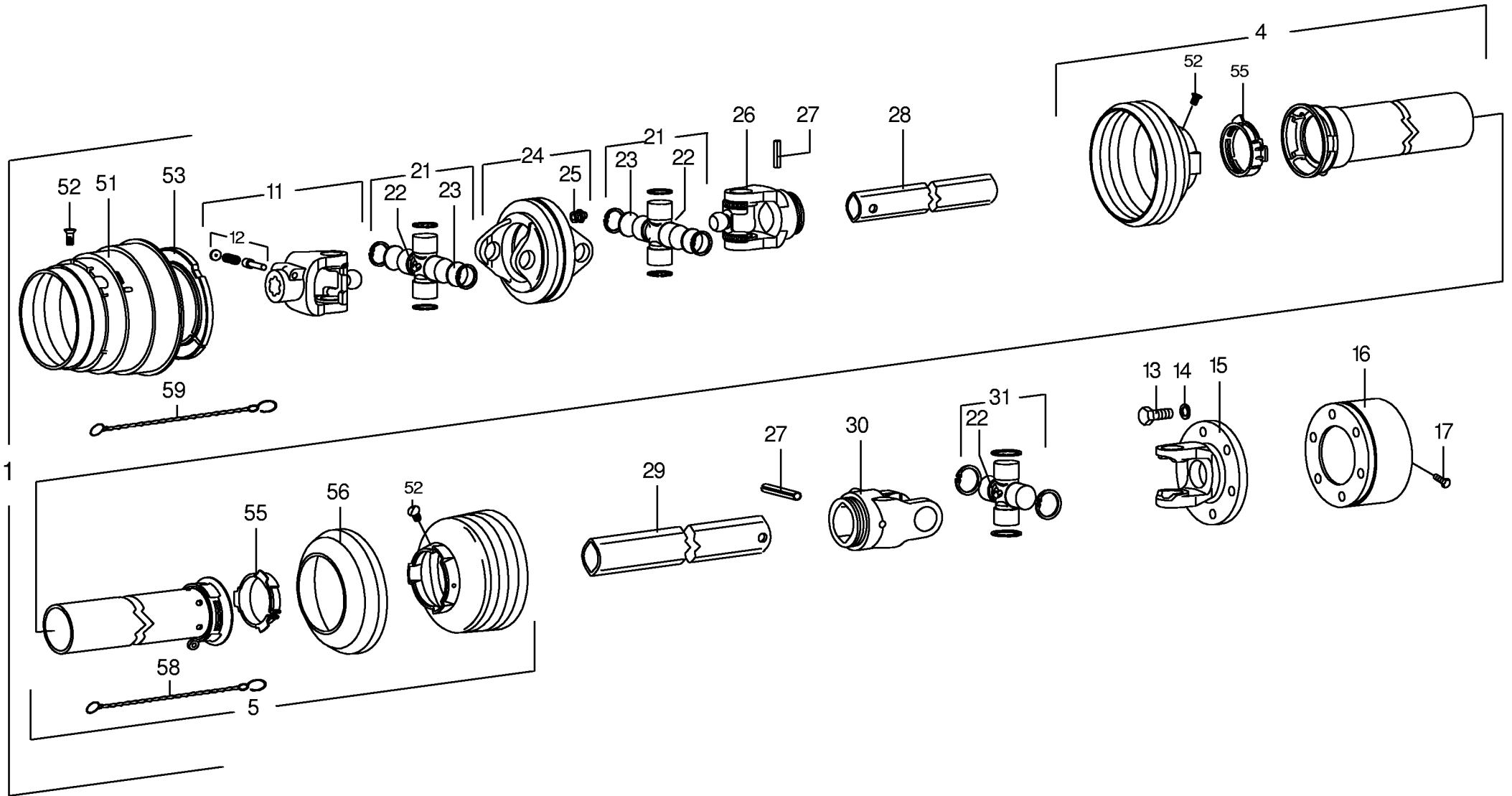
449 047 0

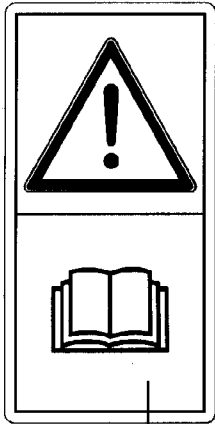




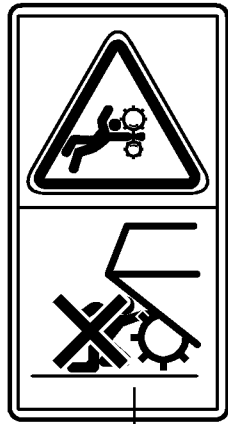
000 001 036 01 / 58.1

449 566 0





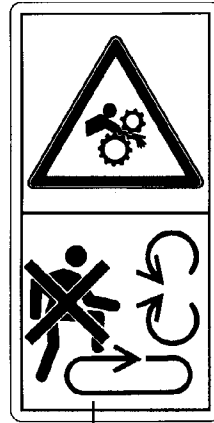
1



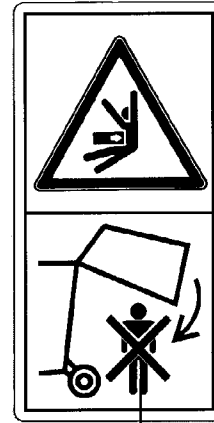
2



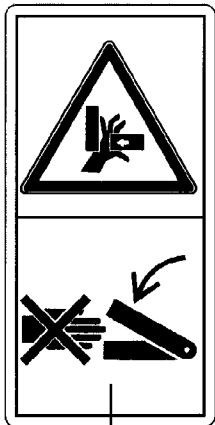
3



4



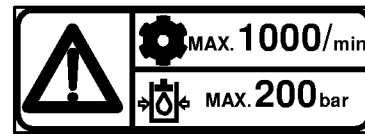
5



6



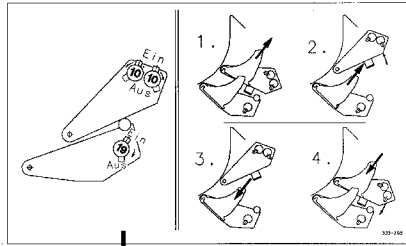
7



8

**Verstellhebel
bei Transport
senkrecht stellen.**

1



2



3

- D** Radnuten nach erstem Einsatz nachziehen.
- E** Apretar las fuerzas de fijación de ruedas después de la primera puesta en servicio.
- F** Ressermer les écrous de fixation de roues après la première mise en service.
- GB** Retighten wheel nuts after the first two hours operation.
- I** Stringere i dadi di fissaggio delle ruote dopo il primo impiego.

4



5

Anhänger ist mit einer
Zugöse DIN 11026
ausgerüstet. Er darf nur an
Zugmaschinen mit einer
dafür geeigneten Anhäng-
ekupplung angekuppelt werden.

6

3,5 bar

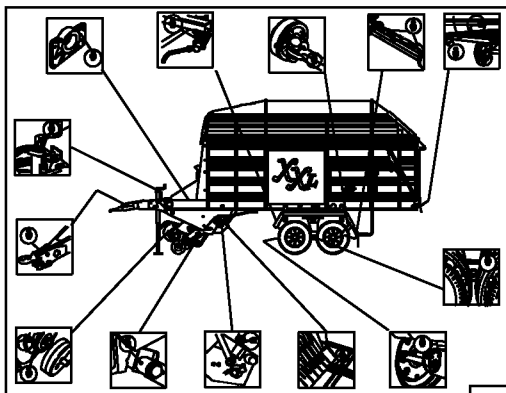
7

25

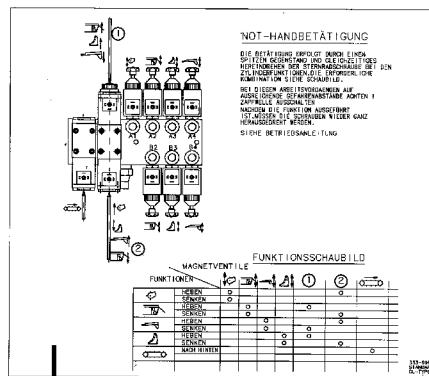
8



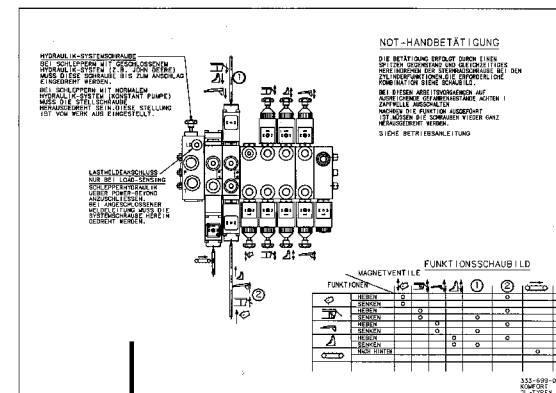
9



10



11



12

| ID-NR. | TAFEL | POS. | ID-NR. | TAFEL | POS. | ID-NR. | TAFEL | POS. | ID-NR. | TAFEL | POS. | ID-NR. | TAFEL | POS. |
|--------------|-------|------|--------------|-------|------|--------------|-------|------|--------------|-------|------|--------------|-------|------|
| ID-NO. | DIAG. | POS. | ID-NO. | DIAG. | POS. | ID-NO. | DIAG. | POS. | ID-NO. | DIAG. | POS. | ID-NO. | DIAG. | POS. |
| 00 003 041 3 | 6.0 | 9 | 00 201 359 2 | 41.0 | 51 | 00 302 124 0 | 49.0 | 8 | 00 333 003 0 | 34.0 | 2 | 00 333 192 0 | 41.0 | 29 |
| 00 003 041 3 | 11.0 | 13 | 00 218 423 0 | 6.0 | 2 | 00 302 124 0 | 50.0 | 11 | 00 333 021 0 | 34.0 | 6 | 00 333 197 0 | 45.0 | 4 |
| 00 003 041 3 | 11.3 | 13 | 00 273 856 0 | 26.0 | 35 | 00 302 126 0 | 49.0 | 5 | 00 333 022 0 | 34.0 | 41 | 00 333 208 0 | 32.0 | 15 |
| 00 015 291 2 | 31.0 | 10 | 00 276 337 1 | 23.0 | 6 | 00 302 147 0 | 53.0 | 1 | 00 333 023 0 | 34.0 | 42 | 00 333 213 0 | 40.0 | 28 |
| 00 015 528 1 | 40.0 | 48 | 00 276 337 1 | 24.0 | 16 | 00 302 148 0 | 54.0 | 1 | 00 333 026 0 | 32.0 | 5 | 00 333 213 0 | 41.0 | 28 |
| 00 015 528 1 | 41.0 | 47 | 00 281 244 0 | 29.0 | 7 | 00 302 165 0 | 49.0 | 1 | 00 333 027 0 | 34.0 | 8 | 00 333 216 0 | 41.0 | 26 |
| 00 036 127 1 | 26.0 | 29 | 00 281 246 5 | 29.0 | 4 | 00 302 166 0 | 50.0 | 15 | 00 333 028 0 | 34.0 | 7 | 00 333 217 0 | 41.0 | 27 |
| 00 045 505 0 | 48.0 | 10 | 00 281 248 0 | 29.0 | 3 | 00 302 168 0 | 53.0 | 2 | 00 333 030 0 | 34.0 | 28 | 00 333 220 0 | 41.0 | 32 |
| 00 045 506 0 | 12.0 | 10 | 00 281 248 0 | 42.0 | 16 | 00 302 169 0 | 50.0 | 25 | 00 333 033 0 | 34.0 | 18 | 00 333 221 0 | 41.0 | 32 |
| 00 045 506 0 | 13.0 | 7 | 00 281 263 0 | 30.0 | 7 | 00 302 177 0 | 50.0 | 19 | 00 333 035 0 | 34.0 | 27 | 00 333 233 0 | 3.0 | 1 |
| 00 045 506 0 | 23.0 | 4 | 00 282 970 0 | 29.0 | 5 | 00 302 205 0 | 50.0 | 10 | 00 333 037 0 | 34.0 | 20 | 00 333 234 0 | 1.0 | 33 |
| 00 045 506 0 | 24.0 | 5 | 00 301 003 1 | 49.0 | 22 | 00 302 216 1 | 50.0 | 16 | 00 333 038 0 | 34.0 | 43 | 00 333 238 0 | 40.0 | 30 |
| 00 045 506 0 | 29.0 | 14 | 00 301 022 0 | 50.0 | 12 | 00 302 222 1 | 49.0 | 7 | 00 333 043 0 | 39.0 | 1 | 00 333 238 0 | 41.0 | 30 |
| 00 045 506 0 | 36.0 | 12 | 00 301 058 0 | 54.0 | 3 | 00 302 232 0 | 49.0 | 16 | 00 333 059 0 | 40.0 | 17 | 00 333 252 0 | 40.0 | 44 |
| 00 045 506 0 | 48.0 | 11 | 00 301 126 0 | 50.0 | 17 | 00 302 233 0 | 49.0 | 17 | 00 333 059 0 | 41.0 | 17 | 00 333 252 0 | 41.0 | 45 |
| 00 045 507 0 | 4.0 | 27 | 00 301 126 0 | 53.0 | 3 | 00 302 295 0 | 53.0 | 4 | 00 333 070 0 | 33.0 | 14 | 00 333 258 0 | 46.0 | 1 |
| 00 045 507 0 | 57.0 | 16 | 00 301 146 0 | 50.0 | 20 | 00 302 332 0 | 49.0 | 21 | 00 333 087 1 | 44.0 | 8 | 00 333 260 0 | 40.0 | 6 |
| 00 045 507 0 | 58.0 | 5 | 00 301 186 0 | 50.0 | 14 | 00 302 357 0 | 50.0 | 13 | 00 333 088 1 | 44.0 | 8 | 00 333 261 0 | 40.0 | 6 |
| 00 045 536 0 | 4.0 | 1 | 00 301 186 0 | 54.0 | 2 | 00 302 407 0 | 53.0 | 5 | 00 333 089 1 | 44.0 | 9 | 00 333 263 0 | 26.0 | 30 |
| 00 045 536 0 | 57.0 | 10 | 00 301 337 0 | 49.0 | 20 | 00 302 414 0 | 49.0 | 24 | 00 333 090 1 | 44.0 | 9 | 00 333 265 0 | 61.0 | 2 |
| 00 045 536 0 | 58.0 | 14 | 00 301 337 0 | 50.0 | 7 | 00 302 453 0 | 50.0 | 22 | 00 333 111 0 | 39.0 | 26 | 00 333 267 0 | 35.0 | 21 |
| 00 052 053 1 | 47.0 | 24 | 00 301 338 0 | 49.0 | 20 | 00 302 453 0 | 53.0 | 7 | 00 333 117 0 | 41.0 | 6 | 00 333 269 0 | 35.0 | 18 |
| 00 139 529 0 | 28.0 | 7 | 00 301 338 0 | 49.0 | 25 | 00 331 042 0 | 23.0 | 34 | 00 333 118 0 | 41.0 | 6 | 00 333 276 0 | 34.0 | 10 |
| 00 145 155 2 | 3.0 | 54 | 00 301 338 0 | 50.0 | 6 | 00 331 396 2 | 28.0 | 1 | 00 333 135 0 | 26.0 | 14 | 00 333 319 0 | 43.0 | 8 |
| 00 151 184 1 | 46.0 | 3 | 00 301 338 0 | 50.0 | 7 | 00 331 508 2 | 28.0 | 23 | 00 333 136 0 | 26.0 | 15 | 00 333 320 0 | 43.0 | 8 |
| 00 153 798 0 | 40.0 | 21 | 00 301 354 0 | 49.0 | 25 | 00 331 664 2 | 46.0 | 2 | 00 333 137 0 | 26.0 | 19 | 00 333 321 0 | 43.0 | 16 |
| 00 153 798 0 | 41.0 | 21 | 00 301 354 0 | 50.0 | 6 | 00 332 014 2 | 29.0 | 13 | 00 333 139 0 | 33.0 | 13 | 00 333 322 0 | 43.0 | 16 |
| 00 168 156 4 | 40.0 | 50 | 00 301 409 0 | 50.0 | 18 | 00 332 067 0 | 26.0 | 10 | 00 333 158 0 | 32.0 | 14 | 00 333 330 0 | 40.0 | 22 |
| 00 168 156 4 | 41.0 | 48 | 00 301 560 0 | 49.0 | 26 | 00 332 091 0 | 43.0 | 39 | 00 333 162 0 | 33.0 | 29 | 00 333 330 0 | 41.0 | 22 |
| 00 185 523 1 | 47.0 | 16 | 00 301 775 0 | 49.0 | 18 | 00 332 093 0 | 43.0 | 34 | 00 333 166 0 | 33.0 | 15 | 00 333 331 0 | 40.0 | 22 |
| 00 187 621 0 | 12.0 | 18 | 00 301 775 0 | 50.0 | 3 | 00 332 093 0 | 44.0 | 34 | 00 333 168 0 | 32.0 | 8 | 00 333 331 0 | 41.0 | 22 |
| 00 187 960 0 | 12.0 | 3 | 00 301 856 0 | 50.0 | 8 | 00 332 093 0 | 44.0 | 39 | 00 333 173 0 | 33.0 | 7 | 00 333 332 0 | 1.0 | 13 |
| 00 200 576 3 | 3.0 | 21 | 00 302 027 0 | 50.0 | 5 | 00 332 101 0 | 43.0 | 38 | 00 333 175 0 | 34.0 | 49 | 00 333 333 0 | 1.0 | 2 |
| 00 200 577 1 | 3.0 | 29 | 00 302 028 0 | 49.0 | 19 | 00 332 101 0 | 44.0 | 37 | 00 333 175 0 | 38.0 | 40 | 00 333 339 0 | 44.0 | 15 |
| 00 200 583 0 | 3.0 | 5 | 00 302 028 0 | 50.0 | 4 | 00 332 407 4 | 4.0 | 32 | 00 333 176 0 | 34.0 | 54 | 00 333 340 0 | 44.0 | 15 |
| 00 200 751 2 | 3.0 | 25 | 00 302 042 0 | 49.0 | 4 | 00 332 407 4 | 57.0 | 20 | 00 333 180 0 | 56.0 | 11 | 00 333 341 0 | 44.0 | 16 |
| 00 200 753 0 | 3.0 | 35 | 00 302 042 0 | 50.0 | 2 | 00 332 407 4 | 58.0 | 22 | 00 333 181 0 | 56.0 | 12 | 00 333 342 0 | 44.0 | 16 |
| 00 200 754 2 | 3.0 | 38 | 00 302 051 0 | 49.0 | 2 | 00 332 893 1 | 39.0 | 31 | 00 333 182 0 | 45.0 | 7 | 00 333 353 0 | 34.0 | 45 |
| 00 201 324 1 | 3.0 | 26 | 00 302 068 0 | 49.0 | 9 | 00 333 000 0 | 34.0 | 60 | 00 333 185 0 | 45.0 | 3 | 00 333 354 0 | 33.0 | 4 |
| 00 201 359 2 | 40.0 | 49 | 00 302 091 0 | 49.0 | 23 | 00 333 002 0 | 34.0 | 9 | 00 333 191 0 | 45.0 | 11 | 00 333 354 0 | 39.0 | 36 |

| ID-NR. ID-NO. | TAFEL DIAG. | POS. POS. | ID-NR. ID-NO. | TAFEL DIAG. | POS. POS. | ID-NR. ID-NO. | TAFEL DIAG. | POS. POS. | ID-NR. ID-NO. | TAFEL DIAG. | POS. POS. | ID-NR. ID-NO. | TAFEL DIAG. | POS. POS. |
|------------------|----------------|--------------|------------------|----------------|--------------|------------------|----------------|--------------|------------------|----------------|--------------|------------------|----------------|--------------|
| 00 333 368 0 | 31.0 | 7 | 00 333 587 0 | 33.0 | 20 | 00 333 768 0 | 38.0 | 10 | 00 333 984 0 | 39.0 | 45 | 00 334 313 0 | 1.0 | 8 |
| 00 333 368 0 | 31.1 | 7 | 00 333 589 0 | 33.0 | 35 | 00 333 769 0 | 38.0 | 30 | 00 333 985 0 | 39.0 | 46 | 00 334 313 0 | 2.0 | 8 |
| 00 333 369 0 | 31.0 | 6 | 00 333 592 0 | 40.0 | 31 | 00 333 770 0 | 38.0 | 3 | 00 333 987 0 | 41.0 | 53 | 00 334 315 0 | 1.0 | 10 |
| 00 333 369 0 | 31.1 | 6 | 00 333 592 0 | 41.0 | 31 | 00 333 771 0 | 37.0 | 10 | 00 333 989 0 | 42.0 | 25 | 00 334 315 0 | 2.0 | 10 |
| 00 333 371 0 | 31.0 | 1 | 00 333 593 0 | 40.0 | 31 | 00 333 780 0 | 15.0 | 26 | 00 333 993 0 | 47.0 | 35 | 00 334 319 0 | 1.0 | 11 |
| 00 333 371 0 | 31.1 | 1 | 00 333 593 0 | 41.0 | 31 | 00 333 783 0 | 22.0 | 1 | 00 333 995 0 | 51.1 | 25 | 00 334 319 0 | 2.0 | 11 |
| 00 333 406 0 | 40.0 | 54 | 00 333 596 0 | 28.0 | 30 | 00 333 784 0 | 22.0 | 2 | 00 334 103 0 | 38.0 | 6 | 00 334 322 0 | 3.0 | 2 |
| 00 333 406 0 | 41.0 | 57 | 00 333 597 0 | 1.0 | 14 | 00 333 784 0 | 22.0 | 3 | 00 334 148 0 | 23.0 | 19 | 00 334 325 0 | 40.0 | 13 |
| 00 333 429 0 | 39.0 | 11 | 00 333 605 0 | 39.0 | 21 | 00 333 785 0 | 22.0 | 2 | 00 334 148 0 | 24.0 | 18 | 00 334 325 0 | 41.0 | 13 |
| 00 333 450 0 | 55.0 | 1 | 00 333 606 0 | 39.0 | 24 | 00 333 785 0 | 22.0 | 3 | 00 334 191 0 | 13.0 | 19 | 00 334 326 1 | 3.0 | 9 |
| 00 333 456 0 | 38.0 | 15 | 00 333 612 0 | 39.0 | 30 | 00 333 786 0 | 35.0 | 27 | 00 334 191 0 | 23.0 | 29 | 00 334 335 0 | 4.0 | 34 |
| 00 333 473 0 | 38.0 | 23 | 00 333 615 0 | 39.0 | 25 | 00 333 794 0 | 26.0 | 45 | 00 334 191 0 | 24.0 | 15 | 00 334 336 0 | 3.0 | 1 |
| 00 333 482 0 | 38.0 | 13 | 00 333 620 0 | 41.0 | 52 | 00 333 795 0 | 26.0 | 37 | 00 334 198 0 | 6.0 | 45 | 00 334 345 0 | 2.0 | 26 |
| 00 333 520 0 | 3.0 | 11 | 00 333 635 0 | 29.0 | 6 | 00 333 796 0 | 26.0 | 39 | 00 334 198 0 | 11.0 | 6 | 00 334 353 0 | 3.0 | 31 |
| 00 333 530 0 | 40.0 | 39 | 00 333 657 0 | 35.0 | 32 | 00 333 809 0 | 2.0 | 27 | 00 334 198 0 | 11.3 | 6 | 00 334 354 1 | 6.0 | 50 |
| 00 333 530 0 | 41.0 | 39 | 00 333 666 0 | 39.0 | 33 | 00 333 812 0 | 41.0 | 17 | 00 334 207 0 | 23.0 | 24 | 00 334 355 0 | 3.0 | 44 |
| 00 333 537 0 | 40.0 | 42 | 00 333 674 0 | 47.0 | 27 | 00 333 817 0 | 41.0 | 22 | 00 334 229 0 | 43.0 | 22 | 00 334 358 0 | 3.0 | 46 |
| 00 333 537 0 | 41.0 | 42 | 00 333 678 0 | 61.0 | 10 | 00 333 818 0 | 41.0 | 22 | 00 334 229 0 | 44.0 | 22 | 00 334 361 0 | 3.0 | 40 |
| 00 333 538 0 | 40.0 | 42 | 00 333 685 0 | 12.0 | 22 | 00 333 820 0 | 41.0 | 36 | 00 334 252 0 | 23.0 | 40 | 00 334 362 0 | 3.0 | 41 |
| 00 333 538 0 | 41.0 | 42 | 00 333 688 0 | 58.1 | 7 | 00 333 821 0 | 41.0 | 36 | 00 334 260 0 | 23.0 | 25 | 00 334 364 0 | 3.0 | 51 |
| 00 333 539 0 | 40.0 | 40 | 00 333 692 1 | 35.0 | 5 | 00 333 829 0 | 11.0 | 15 | 00 334 281 0 | 47.0 | 4 | 00 334 365 0 | 3.0 | 53 |
| 00 333 539 0 | 41.0 | 40 | 00 333 697 0 | 39.0 | 35 | 00 333 829 0 | 11.3 | 15 | 00 334 288 0 | 40.0 | 39 | 00 334 367 0 | 42.0 | 1 |
| 00 333 543 0 | 28.0 | 9 | 00 333 698 0 | 61.0 | 11 | 00 333 833 0 | 40.0 | 47 | 00 334 288 0 | 41.0 | 39 | 00 334 370 0 | 42.0 | 9 |
| 00 333 543 0 | 33.0 | 28 | 00 333 699 0 | 61.0 | 12 | 00 333 833 0 | 41.0 | 46 | 00 334 290 0 | 47.0 | 1 | 00 334 371 0 | 42.0 | 10 |
| 00 333 549 0 | 43.0 | 15 | 00 333 705 0 | 11.3 | 1 | 00 333 837 0 | 24.0 | 48 | 00 334 293 0 | 43.0 | 31 | 00 334 372 0 | 42.0 | 15 |
| 00 333 550 0 | 43.0 | 15 | 00 333 706 0 | 49.0 | 11 | 00 333 839 1 | 35.0 | 28 | 00 334 293 0 | 44.0 | 31 | 00 334 373 0 | 40.0 | 2 |
| 00 333 551 0 | 43.0 | 9 | 00 333 712 0 | 31.0 | 8 | 00 333 860 0 | 21.0 | 22 | 00 334 294 0 | 43.0 | 1 | 00 334 373 0 | 41.0 | 2 |
| 00 333 552 0 | 43.0 | 9 | 00 333 727 0 | 34.0 | 23 | 00 333 866 0 | 11.0 | 1 | 00 334 294 0 | 44.0 | 1 | 00 334 374 0 | 40.0 | 3 |
| 00 333 553 0 | 40.0 | 36 | 00 333 728 0 | 34.0 | 19 | 00 333 881 1 | 22.0 | 1 | 00 334 299 0 | 47.0 | 11 | 00 334 374 0 | 41.0 | 3 |
| 00 333 553 0 | 41.0 | 36 | 00 333 729 0 | 34.0 | 25 | 00 333 906 0 | 5.0 | 18 | 00 334 300 0 | 47.0 | 12 | 00 334 375 0 | 42.0 | 14 |
| 00 333 554 0 | 40.0 | 36 | 00 333 730 0 | 34.0 | 56 | 00 333 907 0 | 5.0 | 1 | 00 334 302 0 | 40.0 | 8 | 00 334 376 0 | 42.0 | 2 |
| 00 333 554 0 | 41.0 | 36 | 00 333 735 0 | 30.0 | 16 | 00 333 908 0 | 26.0 | 43 | 00 334 302 0 | 41.0 | 8 | 00 334 385 0 | 2.0 | 2 |
| 00 333 559 0 | 40.0 | 26 | 00 333 736 0 | 30.0 | 16 | 00 333 911 0 | 22.0 | 2 | 00 334 303 0 | 40.0 | 1 | 00 334 395 0 | 3.0 | 45 |
| 00 333 560 0 | 40.0 | 27 | 00 333 750 0 | 43.0 | 32 | 00 333 911 0 | 22.0 | 3 | 00 334 303 0 | 41.0 | 1 | 00 334 425 0 | 40.0 | 7 |
| 00 333 561 0 | 40.0 | 32 | 00 333 756 0 | 38.0 | 29 | 00 333 912 0 | 22.0 | 2 | 00 334 305 0 | 46.0 | 7 | 00 334 425 0 | 41.0 | 7 |
| 00 333 562 0 | 40.0 | 32 | 00 333 757 0 | 38.0 | 39 | 00 333 912 0 | 22.0 | 3 | 00 334 306 0 | 46.0 | 5 | 00 334 427 0 | 40.0 | 7 |
| 00 333 563 0 | 40.0 | 43 | 00 333 758 0 | 38.0 | 45 | 00 333 915 0 | 22.0 | 5 | 00 334 306 0 | 47.0 | 32 | 00 334 427 0 | 41.0 | 7 |
| 00 333 564 0 | 40.0 | 43 | 00 333 759 0 | 38.0 | 50 | 00 333 916 1 | 22.0 | 1 | 00 334 307 0 | 46.0 | 4 | 00 334 453 0 | 1.0 | 9 |
| 00 333 565 0 | 40.0 | 29 | 00 333 767 0 | 23.0 | 7 | 00 333 917 0 | 22.0 | 16 | 00 334 309 0 | 43.0 | 19 | 00 334 453 0 | 2.0 | 9 |
| 00 333 584 0 | 33.0 | 26 | 00 333 767 0 | 24.0 | 14 | 00 333 944 0 | 38.0 | 26 | 00 334 309 0 | 44.0 | 19 | 00 334 478 0 | 21.0 | 2 |

| ID-NR. | TAFEL | POS. | ID-NR. | TAFEL | POS. | ID-NR. | TAFEL | POS. | ID-NR. | TAFEL | POS. | ID-NR. | TAFEL | POS. |
|--------------|-------|------|--------------|-------|------|--------------|-------|------|--------------|-------|------|--------------|-------|------|
| ID-NO. | DIAG. | POS. | ID-NO. | DIAG. | POS. | ID-NO. | DIAG. | POS. | ID-NO. | DIAG. | POS. | ID-NO. | DIAG. | POS. |
| 00 334 478 0 | 21.0 | 3 | 00 334 994 0 | 28.0 | 8 | 00 339 396 1 | 2.0 | 13 | 00 346 427 2 | 5.0 | 24 | 00 900 636 0 | 3.0 | 43 |
| 00 334 479 1 | 21.0 | 1 | 00 334 997 0 | 36.0 | 5 | 00 339 705 2 | 51.0 | 25 | 00 347 080 1 | 23.0 | 28 | 00 900 636 0 | 4.0 | 15 |
| 00 334 480 0 | 47.0 | 28 | 00 334 999 0 | 30.0 | 19 | 00 339 879 0 | 23.0 | 37 | 00 347 080 1 | 24.0 | 20 | 00 900 636 0 | 5.0 | 4 |
| 00 334 482 0 | 21.0 | 2 | 00 335 482 2 | 39.0 | 3 | 00 339 879 0 | 24.0 | 12 | 00 347 083 2 | 23.0 | 16 | 00 900 636 0 | 8.0 | 4 |
| 00 334 482 0 | 21.0 | 3 | 00 335 605 1 | 4.0 | 29 | 00 339 880 0 | 23.0 | 26 | 00 347 083 2 | 24.0 | 26 | 00 900 636 0 | 18.0 | 18 |
| 00 334 486 0 | 21.0 | 5 | 00 335 983 0 | 1.0 | 23 | 00 339 880 0 | 24.0 | 36 | 00 347 212 1 | 26.0 | 5 | 00 900 636 0 | 19.0 | 18 |
| 00 334 486 0 | 22.0 | 5 | 00 335 983 0 | 2.0 | 23 | 00 340 739 1 | 3.0 | 15 | 00 347 356 1 | 51.0 | 23 | 00 900 636 0 | 23.0 | 41 |
| 00 334 487 0 | 21.0 | 4 | 00 336 231 1 | 47.0 | 7 | 00 341 811 4 | 28.0 | 5 | 00 347 356 1 | 51.1 | 23 | 00 900 636 0 | 24.0 | 21 |
| 00 334 487 0 | 22.0 | 4 | 00 336 247 0 | 48.0 | 5 | 00 341 848 2 | 25.0 | 30 | 00 347 356 1 | 52.0 | 19 | 00 900 636 0 | 26.0 | 11 |
| 00 334 554 0 | 3.0 | 50 | 00 336 248 0 | 48.0 | 7 | 00 341 914 0 | 26.0 | 21 | 00 441 071 2 | 61.0 | 7 | 00 900 636 0 | 28.0 | 10 |
| 00 334 567 0 | 42.0 | 20 | 00 336 306 0 | 1.0 | 12 | 00 341 914 0 | 35.0 | 20 | 00 441 072 2 | 61.0 | 7 | 00 900 636 0 | 33.0 | 10 |
| 00 334 615 0 | 3.0 | 27 | 00 336 306 0 | 2.0 | 12 | 00 341 930 0 | 43.0 | 20 | 00 441 073 2 | 61.0 | 7 | 00 900 636 0 | 40.0 | 37 |
| 00 334 618 0 | 24.0 | 33 | 00 336 337 0 | 1.0 | 5 | 00 341 930 0 | 44.0 | 20 | 00 441 075 2 | 61.0 | 7 | 00 900 636 0 | 41.0 | 37 |
| 00 334 671 0 | 24.0 | 24 | 00 336 337 0 | 2.0 | 5 | 00 341 933 1 | 43.0 | 21 | 00 900 213 0 | 32.0 | 6 | 00 900 636 0 | 43.0 | 10 |
| 00 334 708 0 | 24.0 | 34 | 00 336 450 0 | 15.0 | 19 | 00 341 933 1 | 44.0 | 21 | 00 900 255 1 | 27.0 | 29 | 00 900 636 0 | 44.0 | 10 |
| 00 334 830 0 | 35.0 | 8 | 00 336 463 0 | 46.0 | 1 | 00 344 394 2 | 35.0 | 10 | 00 900 264 0 | 2.1 | 29 | 00 900 636 0 | 49.0 | 10 |
| 00 334 843 0 | 26.0 | 23 | 00 336 477 0 | 47.0 | 10 | 00 344 518 2 | 40.0 | 23 | 00 900 280 0 | 38.0 | 16 | 00 900 637 0 | 3.0 | 48 |
| 00 334 844 0 | 28.0 | 22 | 00 336 479 0 | 43.0 | 27 | 00 344 518 2 | 41.0 | 23 | 00 900 380 0 | 32.0 | 13 | 00 900 637 0 | 4.0 | 11 |
| 00 334 845 0 | 28.0 | 28 | 00 336 479 0 | 44.0 | 27 | 00 344 518 2 | 47.0 | 31 | 00 900 384 0 | 32.0 | 2 | 00 900 637 0 | 24.0 | 46 |
| 00 334 850 0 | 56.0 | 10 | 00 336 615 1 | 3.0 | 28 | 00 344 565 0 | 55.0 | 11 | 00 900 384 0 | 34.0 | 14 | 00 900 637 0 | 35.0 | 24 |
| 00 334 852 0 | 28.0 | 13 | 00 336 682 0 | 26.0 | 2 | 00 344 566 5 | 23.0 | 33 | 00 900 612 0 | 7.0 | 22 | 00 900 637 0 | 40.0 | 9 |
| 00 334 854 0 | 28.0 | 4 | 00 336 732 1 | 37.0 | 12 | 00 344 631 4 | 23.0 | 20 | 00 900 612 0 | 10.0 | 32 | 00 900 637 0 | 41.0 | 9 |
| 00 334 866 1 | 2.0 | 14 | 00 336 735 0 | 40.0 | 46 | 00 344 631 4 | 24.0 | 19 | 00 900 612 0 | 25.0 | 7 | 00 900 637 0 | 42.0 | 18 |
| 00 334 886 0 | 33.0 | 19 | 00 336 735 0 | 41.0 | 43 | 00 344 668 1 | 28.0 | 21 | 00 900 614 0 | 14.0 | 2 | 00 900 638 0 | 40.0 | 14 |
| 00 334 895 0 | 35.0 | 23 | 00 336 735 0 | 51.1 | 19 | 00 344 702 2 | 23.0 | 27 | 00 900 614 0 | 16.0 | 21 | 00 900 638 0 | 41.0 | 14 |
| 00 334 906 0 | 36.0 | 1 | 00 336 840 0 | 37.0 | 15 | 00 344 702 2 | 24.0 | 23 | 00 900 614 0 | 17.0 | 21 | 00 900 655 0 | 2.1 | 36 |
| 00 334 910 0 | 35.0 | 4 | 00 336 908 0 | 47.0 | 23 | 00 344 711 0 | 28.0 | 32 | 00 900 614 0 | 39.0 | 17 | 00 900 656 0 | 3.0 | 19 |
| 00 334 912 0 | 35.0 | 3 | 00 336 929 0 | 47.0 | 19 | 00 344 711 0 | 30.0 | 15 | 00 900 614 0 | 56.0 | 13 | 00 900 656 0 | 21.0 | 9 |
| 00 334 913 0 | 35.0 | 30 | 00 336 931 1 | 47.0 | 20 | 00 344 825 0 | 57.0 | 5 | 00 900 616 0 | 9.0 | 8 | 00 900 656 0 | 22.0 | 9 |
| 00 334 915 0 | 35.0 | 33 | 00 336 942 0 | 9.0 | 7 | 00 344 825 0 | 58.0 | 17 | 00 900 616 0 | 34.0 | 21 | 00 900 656 0 | 28.0 | 25 |
| 00 334 923 0 | 35.0 | 15 | 00 336 988 0 | 6.0 | 39 | 00 344 892 0 | 43.0 | 13 | 00 900 617 0 | 8.0 | 1 | 00 900 656 0 | 33.0 | 16 |
| 00 334 924 0 | 26.0 | 1 | 00 336 988 0 | 11.0 | 3 | 00 344 892 0 | 44.0 | 13 | 00 900 617 0 | 34.0 | 3 | 00 900 656 0 | 36.0 | 2 |
| 00 334 924 0 | 27.0 | 40 | 00 336 988 0 | 11.3 | 3 | 00 344 963 4 | 5.0 | 6 | 00 900 632 0 | 23.0 | 9 | 00 900 656 0 | 40.0 | 18 |
| 00 334 927 0 | 35.0 | 14 | 00 336 997 0 | 4.0 | 10 | 00 344 964 4 | 5.0 | 16 | 00 900 632 0 | 24.0 | 4 | 00 900 656 0 | 41.0 | 18 |
| 00 334 928 0 | 35.0 | 9 | 00 337 413 1 | 45.0 | 8 | 00 344 966 0 | 5.0 | 7 | 00 900 634 0 | 4.0 | 30 | 00 900 656 0 | 41.0 | 55 |
| 00 334 934 0 | 26.0 | 20 | 00 337 556 0 | 3.0 | 10 | 00 345 478 1 | 35.0 | 31 | 00 900 634 0 | 39.0 | 22 | 00 900 656 0 | 47.0 | 13 |
| 00 334 942 0 | 35.0 | 11 | 00 337 846 3 | 37.0 | 22 | 00 345 626 7 | 3.0 | 13 | 00 900 634 0 | 43.0 | 28 | 00 900 656 0 | 59.0 | 13 |
| 00 334 962 1 | 32.0 | 9 | 00 337 846 3 | 39.0 | 43 | 00 345 645 1 | 3.0 | 14 | 00 900 634 0 | 44.0 | 28 | 00 900 657 0 | 2.1 | 36 |
| 00 334 964 1 | 32.0 | 10 | 00 338 013 1 | 31.1 | 9 | 00 346 424 2 | 5.0 | 13 | 00 900 636 0 | 3.0 | 18 | 00 900 657 0 | 27.0 | 31 |
| 00 334 970 0 | 33.0 | 31 | 00 338 015 0 | 31.1 | 10 | 00 346 426 5 | 5.0 | 11 | 00 900 636 0 | 3.0 | 36 | 00 900 657 0 | 27.0 | 43 |

| ID-NR. | TAFEL | POS. | ID-NR. | TAFEL | POS. | ID-NR. | TAFEL | POS. | ID-NR. | TAFEL | POS. | ID-NR. | TAFEL | POS. |
|--------------|-------|------|--------------|-------|------|--------------|-------|------|--------------|-------|------|--------------|-------|------|
| ID-NO. | DIAG. | POS. | ID-NO. | DIAG. | POS. | ID-NO. | DIAG. | POS. | ID-NO. | DIAG. | POS. | ID-NO. | DIAG. | POS. |
| 00 900 657 0 | 33.0 | 8 | 00 901 436 0 | 28.0 | 2 | 00 903 747 0 | 13.0 | 13 | 00 905 253 0 | 44.0 | 32 | 00 908 210 0 | 47.0 | 37 |
| 00 900 658 0 | 6.0 | 38 | 00 901 437 0 | 15.0 | 25 | 00 904 003 0 | 27.0 | 32 | 00 905 255 0 | 40.0 | 25 | 00 908 212 0 | 1.0 | 4 |
| 00 900 658 0 | 11.0 | 4 | 00 901 437 0 | 47.0 | 5 | 00 904 010 0 | 34.0 | 30 | 00 905 255 0 | 41.0 | 25 | 00 908 212 0 | 2.0 | 4 |
| 00 900 658 0 | 11.3 | 4 | 00 901 438 0 | 44.0 | 38 | 00 904 028 1 | 1.0 | 1 | 00 905 255 0 | 43.0 | 26 | 00 908 212 0 | 3.0 | 7 |
| 00 900 658 0 | 37.0 | 13 | 00 901 438 0 | 47.0 | 25 | 00 904 028 1 | 2.0 | 1 | 00 905 255 0 | 44.0 | 26 | 00 908 212 0 | 8.0 | 3 |
| 00 900 674 0 | 40.0 | 4 | 00 901 439 1 | 23.0 | 35 | 00 904 050 0 | 11.0 | 14 | 00 905 255 0 | 47.0 | 30 | 00 908 212 0 | 23.0 | 39 |
| 00 900 674 0 | 41.0 | 4 | 00 901 451 0 | 42.0 | 11 | 00 904 050 0 | 11.3 | 14 | 00 905 303 2 | 3.0 | 4 | 00 908 212 0 | 24.0 | 22 |
| 00 900 675 0 | 12.0 | 20 | 00 901 452 0 | 40.0 | 20 | 00 904 708 0 | 43.0 | 2 | 00 905 922 0 | 3.0 | 33 | 00 908 212 0 | 27.0 | 35 |
| 00 900 675 0 | 37.0 | 7 | 00 901 452 0 | 41.0 | 20 | 00 904 708 0 | 44.0 | 2 | 00 905 933 0 | 3.0 | 24 | 00 908 212 0 | 33.0 | 30 |
| 00 900 675 0 | 42.0 | 21 | 00 901 454 0 | 2.1 | 52 | 00 904 732 1 | 39.0 | 6 | 00 905 933 0 | 38.0 | 14 | 00 908 212 0 | 39.0 | 13 |
| 00 900 677 0 | 26.0 | 26 | 00 901 454 0 | 12.0 | 19 | 00 904 838 0 | 6.0 | 1 | 00 906 007 0 | 9.0 | 10 | 00 908 212 0 | 39.0 | 27 |
| 00 900 677 0 | 32.0 | 16 | 00 901 457 0 | 28.0 | 14 | 00 904 850 1 | 40.0 | 10 | 00 906 007 0 | 16.0 | 16 | 00 908 212 0 | 40.0 | 53 |
| 00 900 678 0 | 43.0 | 35 | 00 901 458 0 | 43.0 | 29 | 00 904 850 1 | 41.0 | 10 | 00 906 007 0 | 17.0 | 16 | 00 908 212 0 | 41.0 | 56 |
| 00 900 678 0 | 43.0 | 40 | 00 901 458 0 | 44.0 | 29 | 00 904 884 0 | 33.0 | 34 | 00 906 039 0 | 34.0 | 52 | 00 908 212 0 | 43.0 | 24 |
| 00 900 678 0 | 44.0 | 35 | 00 901 460 0 | 23.0 | 15 | 00 905 111 2 | 39.0 | 4 | 00 906 039 0 | 37.0 | 11 | 00 908 212 0 | 44.0 | 24 |
| 00 900 721 0 | 27.0 | 24 | 00 901 460 0 | 24.0 | 27 | 00 905 154 0 | 40.0 | 24 | 00 906 039 0 | 38.0 | 38 | 00 908 212 0 | 49.0 | 15 |
| 00 900 816 0 | 31.1 | 14 | 00 901 482 0 | 37.0 | 17 | 00 905 154 0 | 41.0 | 24 | 00 906 040 1 | 5.0 | 3 | 00 908 215 0 | 3.0 | 42 |
| 00 900 817 1 | 38.0 | 24 | 00 901 491 0 | 6.0 | 21 | 00 905 177 1 | 43.0 | 5 | 00 906 040 1 | 34.0 | 51 | 00 908 215 0 | 16.0 | 18 |
| 00 901 009 1 | 34.0 | 48 | 00 901 512 0 | 25.0 | 29 | 00 905 177 1 | 44.0 | 5 | 00 906 860 2 | 1.0 | 7 | 00 908 215 0 | 33.0 | 5 |
| 00 901 009 1 | 38.0 | 41 | 00 902 135 0 | 2.1 | 51 | 00 905 231 0 | 26.0 | 7 | 00 906 860 2 | 2.0 | 7 | 00 908 215 0 | 41.0 | 54 |
| 00 901 009 1 | 55.0 | 10 | 00 902 434 1 | 23.0 | 18 | 00 905 231 0 | 42.0 | 6 | 00 906 861 1 | 1.0 | 7 | 00 908 215 0 | 43.0 | 7 |
| 00 901 022 0 | 6.0 | 33 | 00 902 434 1 | 24.0 | 29 | 00 905 231 0 | 47.0 | 34 | 00 906 861 1 | 2.0 | 7 | 00 908 215 0 | 44.0 | 7 |
| 00 901 027 0 | 33.0 | 1 | 00 903 012 0 | 2.1 | 30 | 00 905 232 0 | 26.0 | 3 | 00 908 006 1 | 45.0 | 17 | 00 908 220 0 | 6.0 | 10 |
| 00 901 027 0 | 39.0 | 37 | 00 903 026 0 | 55.0 | 16 | 00 905 251 0 | 12.0 | 4 | 00 908 016 0 | 2.1 | 75 | 00 908 220 0 | 33.0 | 22 |
| 00 901 042 0 | 26.0 | 42 | 00 903 042 0 | 56.0 | 1 | 00 905 251 0 | 37.0 | 23 | 00 908 031 1 | 6.0 | 29 | 00 908 220 0 | 43.0 | 33 |
| 00 901 042 0 | 36.0 | 16 | 00 903 070 0 | 7.0 | 1 | 00 905 251 0 | 39.0 | 44 | 00 908 207 1 | 13.0 | 16 | 00 908 220 0 | 44.0 | 33 |
| 00 901 046 0 | 47.0 | 21 | 00 903 077 1 | 45.0 | 6 | 00 905 251 0 | 40.0 | 33 | 00 908 207 1 | 21.0 | 15 | 00 908 500 0 | 23.0 | 17 |
| 00 901 054 2 | 15.0 | 16 | 00 903 083 1 | 27.0 | 10 | 00 905 251 0 | 41.0 | 33 | 00 908 207 1 | 22.0 | 15 | 00 908 500 0 | 24.0 | 28 |
| 00 901 165 0 | 6.0 | 22 | 00 903 106 0 | 34.0 | 22 | 00 905 251 0 | 42.0 | 3 | 00 908 207 1 | 51.0 | 6 | 00 908 518 1 | 27.0 | 14 |
| 00 901 259 0 | 6.0 | 20 | 00 903 108 0 | 34.0 | 31 | 00 905 252 0 | 1.0 | 6 | 00 908 207 1 | 51.1 | 5 | 00 908 521 2 | 15.0 | 30 |
| 00 901 421 1 | 56.0 | 17 | 00 903 109 0 | 34.0 | 33 | 00 905 252 0 | 2.0 | 6 | 00 908 207 1 | 52.0 | 22 | 00 908 524 2 | 12.0 | 12 |
| 00 901 423 0 | 4.0 | 31 | 00 903 139 1 | 4.0 | 8 | 00 905 252 0 | 21.0 | 6 | 00 908 208 0 | 39.0 | 42 | 00 908 524 2 | 13.0 | 9 |
| 00 901 423 0 | 57.0 | 18 | 00 903 431 1 | 45.0 | 15 | 00 905 252 0 | 22.0 | 6 | 00 908 208 0 | 48.0 | 20 | 00 908 524 2 | 14.0 | 25 |
| 00 901 423 0 | 58.0 | 21 | 00 903 482 1 | 48.0 | 18 | 00 905 252 0 | 40.0 | 34 | 00 908 210 0 | 2.1 | 63 | 00 908 524 2 | 15.0 | 33 |
| 00 901 425 0 | 36.0 | 16 | 00 903 661 0 | 51.0 | 2 | 00 905 252 0 | 41.0 | 34 | 00 908 210 0 | 13.0 | 17 | 00 908 525 1 | 2.1 | 31 |
| 00 901 431 0 | 3.0 | 52 | 00 903 661 0 | 51.1 | 17 | 00 905 252 0 | 43.0 | 17 | 00 908 210 0 | 23.0 | 32 | 00 908 620 0 | 48.0 | 6 |
| 00 901 431 0 | 15.0 | 28 | 00 903 661 0 | 52.0 | 24 | 00 905 252 0 | 44.0 | 17 | 00 908 210 0 | 24.0 | 42 | 00 908 701 0 | 2.1 | 68 |
| 00 901 434 0 | 6.0 | 7 | 00 903 665 0 | 51.1 | 16 | 00 905 252 0 | 45.0 | 1 | 00 908 210 0 | 25.0 | 8 | 00 908 701 0 | 3.0 | 20 |
| 00 901 434 0 | 11.0 | 12 | 00 903 745 0 | 21.0 | 13 | 00 905 252 0 | 47.0 | 29 | 00 908 210 0 | 39.0 | 8 | 00 908 701 0 | 6.0 | 41 |
| 00 901 434 0 | 11.3 | 12 | 00 903 745 0 | 22.0 | 13 | 00 905 253 0 | 43.0 | 36 | 00 908 210 0 | 39.0 | 16 | 00 908 701 0 | 11.0 | 7 |

| ID-NR. | TAFEL | POS. | ID-NR. | TAFEL | POS. | ID-NR. | TAFEL | POS. | ID-NR. | TAFEL | POS. | ID-NR. | TAFEL | POS. |
|--------------|-------|------|--------------|-------|------|--------------|-------|------|--------------|-------|------|--------------|-------|------|
| ID-NO. | DIAG. | POS. | ID-NO. | DIAG. | POS. | ID-NO. | DIAG. | POS. | ID-NO. | DIAG. | POS. | ID-NO. | DIAG. | POS. |
| 00 908 701 0 | 11.3 | 7 | 00 908 707 0 | 26.0 | 9 | 00 908 758 0 | 40.0 | 12 | 00 909 909 1 | 41.0 | 38 | 00 910 214 0 | 37.0 | 8 |
| 00 908 701 0 | 12.0 | 16 | 00 908 716 1 | 6.0 | 36 | 00 908 758 0 | 41.0 | 12 | 00 909 909 1 | 42.0 | 19 | 00 910 215 0 | 10.0 | 6 |
| 00 908 701 0 | 23.0 | 21 | 00 908 716 1 | 11.0 | 2 | 00 908 758 0 | 42.0 | 4 | 00 909 909 1 | 43.0 | 23 | 00 910 217 0 | 2.1 | 7 |
| 00 908 701 0 | 24.0 | 25 | 00 908 716 1 | 11.3 | 2 | 00 908 758 0 | 43.0 | 12 | 00 909 909 1 | 44.0 | 23 | 00 910 220 0 | 7.0 | 8 |
| 00 908 701 0 | 26.0 | 27 | 00 908 716 1 | 12.0 | 24 | 00 908 758 0 | 44.0 | 12 | 00 909 909 1 | 49.0 | 12 | 00 910 235 0 | 2.1 | 6 |
| 00 908 701 0 | 28.0 | 16 | 00 908 716 1 | 32.0 | 19 | 00 908 758 0 | 45.0 | 14 | 00 909 910 1 | 2.1 | 33 | 00 910 303 1 | 12.0 | 21 |
| 00 908 701 0 | 30.0 | 10 | 00 908 716 1 | 33.0 | 23 | 00 908 758 0 | 47.0 | 6 | 00 909 910 1 | 4.0 | 9 | 00 910 303 1 | 29.0 | 15 |
| 00 908 701 0 | 33.0 | 17 | 00 908 716 1 | 37.0 | 19 | 00 908 758 0 | 47.0 | 18 | 00 909 910 1 | 21.0 | 10 | 00 910 303 1 | 35.0 | 12 |
| 00 908 701 0 | 36.0 | 4 | 00 908 716 1 | 40.0 | 5 | 00 908 758 0 | 47.0 | 26 | 00 909 910 1 | 22.0 | 10 | 00 910 303 1 | 43.0 | 3 |
| 00 908 701 0 | 37.0 | 16 | 00 908 716 1 | 41.0 | 5 | 00 908 758 0 | 49.0 | 13 | 00 909 910 1 | 28.0 | 24 | 00 910 303 1 | 44.0 | 3 |
| 00 908 701 0 | 40.0 | 16 | 00 908 716 1 | 42.0 | 24 | 00 908 804 0 | 7.0 | 5 | 00 909 910 1 | 33.0 | 6 | 00 910 319 0 | 6.0 | 17 |
| 00 908 701 0 | 41.0 | 16 | 00 908 716 1 | 43.0 | 4 | 00 908 807 0 | 2.1 | 3 | 00 909 910 1 | 36.0 | 3 | 00 910 324 0 | 2.1 | 4 |
| 00 908 701 0 | 42.0 | 13 | 00 908 716 1 | 44.0 | 4 | 00 909 850 0 | 27.0 | 15 | 00 909 910 1 | 40.0 | 19 | 00 910 325 0 | 45.0 | 16 |
| 00 908 701 0 | 43.0 | 30 | 00 908 721 0 | 32.0 | 12 | 00 909 906 0 | 39.0 | 41 | 00 909 910 1 | 41.0 | 19 | 00 910 344 0 | 23.0 | 23 |
| 00 908 701 0 | 44.0 | 30 | 00 908 726 1 | 2.1 | 48 | 00 909 908 0 | 13.0 | 18 | 00 909 912 1 | 12.0 | 23 | 00 910 344 0 | 24.0 | 35 |
| 00 908 701 0 | 45.0 | 13 | 00 908 726 1 | 33.0 | 3 | 00 909 908 0 | 15.0 | 24 | 00 909 912 1 | 32.0 | 7 | 00 910 351 1 | 21.0 | 14 |
| 00 908 701 0 | 47.0 | 14 | 00 908 726 1 | 39.0 | 39 | 00 909 908 0 | 23.0 | 30 | 00 909 912 1 | 32.0 | 18 | 00 910 351 1 | 22.0 | 12 |
| 00 908 703 0 | 2.1 | 49 | 00 908 730 0 | 6.0 | 16 | 00 909 908 0 | 24.0 | 41 | 00 909 912 1 | 33.0 | 21 | 00 910 353 0 | 31.1 | 12 |
| 00 908 704 1 | 39.0 | 5 | 00 908 730 0 | 23.0 | 22 | 00 909 908 0 | 34.0 | 4 | 00 909 912 1 | 40.0 | 41 | 00 910 353 0 | 33.0 | 12 |
| 00 908 704 1 | 42.0 | 7 | 00 908 730 0 | 24.0 | 10 | 00 909 908 0 | 39.0 | 7 | 00 909 912 1 | 41.0 | 41 | 00 910 353 0 | 37.0 | 24 |
| 00 908 706 0 | 4.0 | 33 | 00 908 758 0 | 3.0 | 37 | 00 909 908 0 | 39.0 | 15 | 00 909 912 1 | 42.0 | 23 | 00 910 353 0 | 39.0 | 28 |
| 00 908 706 0 | 9.0 | 9 | 00 908 758 0 | 4.0 | 16 | 00 909 908 0 | 40.0 | 51 | 00 909 913 0 | 32.0 | 3 | 00 910 353 0 | 40.0 | 35 |
| 00 908 706 0 | 14.0 | 3 | 00 908 758 0 | 6.0 | 5 | 00 909 908 0 | 41.0 | 49 | 00 909 913 0 | 34.0 | 13 | 00 910 353 0 | 41.0 | 35 |
| 00 908 706 0 | 15.0 | 15 | 00 908 758 0 | 6.0 | 8 | 00 909 908 0 | 42.0 | 8 | 00 910 010 0 | 3.0 | 16 | 00 910 353 0 | 42.0 | 5 |
| 00 908 706 0 | 16.0 | 20 | 00 908 758 0 | 11.0 | 11 | 00 909 908 0 | 47.0 | 36 | 00 910 014 0 | 6.0 | 11 | 00 910 353 0 | 43.0 | 18 |
| 00 908 706 0 | 17.0 | 20 | 00 908 758 0 | 11.3 | 11 | 00 909 908 0 | 55.0 | 12 | 00 910 016 0 | 25.0 | 28 | 00 910 353 0 | 44.0 | 18 |
| 00 908 706 0 | 26.0 | 6 | 00 908 758 0 | 12.0 | 1 | 00 909 908 0 | 56.0 | 16 | 00 910 031 0 | 51.0 | 4 | 00 910 353 0 | 45.0 | 2 |
| 00 908 706 0 | 27.0 | 6 | 00 908 758 0 | 15.0 | 22 | 00 909 909 1 | 1.0 | 3 | 00 910 031 0 | 51.1 | 4 | 00 910 356 0 | 42.0 | 22 |
| 00 908 706 0 | 34.0 | 55 | 00 908 758 0 | 18.0 | 16 | 00 909 909 1 | 2.0 | 3 | 00 910 031 0 | 52.0 | 23 | 00 910 361 0 | 31.1 | 15 |
| 00 908 706 0 | 38.0 | 42 | 00 908 758 0 | 19.0 | 16 | 00 909 909 1 | 4.0 | 14 | 00 910 033 0 | 25.0 | 9 | 00 910 361 0 | 35.0 | 6 |
| 00 908 706 0 | 39.0 | 20 | 00 908 758 0 | 21.0 | 8 | 00 909 909 1 | 23.0 | 10 | 00 910 033 0 | 27.0 | 23 | 00 910 362 0 | 32.0 | 17 |
| 00 908 706 0 | 40.0 | 52 | 00 908 758 0 | 22.0 | 8 | 00 909 909 1 | 24.0 | 2 | 00 910 033 0 | 55.0 | 17 | 00 910 369 0 | 2.1 | 74 |
| 00 908 706 0 | 41.0 | 50 | 00 908 758 0 | 23.0 | 36 | 00 909 909 1 | 26.0 | 12 | 00 910 035 0 | 16.0 | 17 | 00 910 411 1 | 13.0 | 15 |
| 00 908 706 0 | 45.0 | 10 | 00 908 758 0 | 24.0 | 45 | 00 909 909 1 | 28.0 | 11 | 00 910 035 0 | 27.0 | 30 | 00 910 411 1 | 39.0 | 40 |
| 00 908 706 0 | 47.0 | 22 | 00 908 758 0 | 26.0 | 16 | 00 909 909 1 | 31.1 | 13 | 00 910 035 0 | 27.0 | 42 | 00 910 413 0 | 1.0 | 24 |
| 00 908 706 0 | 55.0 | 13 | 00 908 758 0 | 28.0 | 3 | 00 909 909 1 | 33.0 | 11 | 00 910 035 0 | 59.0 | 14 | 00 910 413 0 | 2.0 | 24 |
| 00 908 706 0 | 56.0 | 14 | 00 908 758 0 | 31.1 | 16 | 00 909 909 1 | 34.0 | 50 | 00 910 111 1 | 3.0 | 6 | 00 910 413 0 | 2.1 | 62 |
| 00 908 706 0 | 58.0 | 24 | 00 908 758 0 | 33.0 | 27 | 00 909 909 1 | 38.0 | 17 | 00 910 111 1 | 5.0 | 5 | 00 910 413 0 | 8.0 | 2 |
| 00 908 707 0 | 1.0 | 25 | 00 908 758 0 | 35.0 | 22 | 00 909 909 1 | 39.0 | 23 | 00 910 111 1 | 27.0 | 34 | 00 910 413 0 | 26.0 | 8 |
| 00 908 707 0 | 2.0 | 25 | 00 908 758 0 | 39.0 | 29 | 00 909 909 1 | 40.0 | 38 | 00 910 111 1 | 34.0 | 32 | 00 910 413 0 | 39.0 | 18 |

| ID-NR. | TAFEL | POS. | ID-NR. | TAFEL | POS. | ID-NR. | TAFEL | POS. | ID-NR. | TAFEL | POS. | ID-NR. | TAFEL | POS. |
|--------------|-------|------|--------------|-------|------|--------------|-------|------|--------------|-------|------|--------------|-------|------|
| ID-NO. | DIAG. | POS. | ID-NO. | DIAG. | POS. | ID-NO. | DIAG. | POS. | ID-NO. | DIAG. | POS. | ID-NO. | DIAG. | POS. |
| 00 910 413 0 | 45.0 | 5 | 00 910 511 0 | 30.0 | 20 | 00 910 864 0 | 5.0 | 22 | 00 911 518 0 | 37.0 | 2 | 00 912 639 0 | 42.0 | 17 |
| 00 910 413 0 | 56.0 | 15 | 00 910 511 0 | 31.0 | 3 | 00 910 865 1 | 31.0 | 5 | 00 911 520 0 | 35.0 | 1 | 00 912 641 2 | 26.0 | 18 |
| 00 910 414 0 | 3.0 | 49 | 00 910 511 0 | 31.1 | 3 | 00 910 865 1 | 31.1 | 5 | 00 911 521 0 | 35.0 | 29 | 00 912 641 2 | 29.0 | 2 |
| 00 910 414 0 | 4.0 | 17 | 00 910 512 2 | 26.0 | 17 | 00 910 872 2 | 38.0 | 31 | 00 911 522 0 | 26.0 | 33 | 00 912 641 2 | 30.0 | 21 |
| 00 910 414 0 | 8.0 | 5 | 00 910 512 2 | 33.0 | 33 | 00 910 873 2 | 38.0 | 31 | 00 911 523 0 | 38.0 | 4 | 00 912 641 2 | 31.0 | 2 |
| 00 910 414 0 | 15.0 | 23 | 00 910 512 2 | 35.0 | 2 | 00 910 874 2 | 38.0 | 31 | 00 911 535 0 | 5.0 | 25 | 00 912 641 2 | 31.1 | 2 |
| 00 910 414 0 | 21.0 | 7 | 00 910 514 1 | 6.0 | 30 | 00 910 885 0 | 30.0 | 17 | 00 911 553 0 | 38.0 | 25 | 00 912 641 2 | 33.0 | 32 |
| 00 910 414 0 | 22.0 | 7 | 00 910 514 1 | 33.0 | 2 | 00 910 889 0 | 37.0 | 3 | 00 911 562 0 | 26.0 | 40 | 00 912 641 2 | 46.0 | 8 |
| 00 910 414 0 | 23.0 | 11 | 00 910 514 1 | 36.0 | 7 | 00 910 890 0 | 37.0 | 3 | 00 911 568 0 | 5.0 | 10 | 00 912 643 0 | 25.0 | 17 |
| 00 910 414 0 | 24.0 | 31 | 00 910 514 1 | 39.0 | 38 | 00 910 891 0 | 37.0 | 3 | 00 911 668 0 | 5.0 | 19 | 00 912 645 0 | 3.0 | 47 |
| 00 910 414 0 | 26.0 | 13 | 00 910 514 1 | 47.0 | 2 | 00 910 902 0 | 34.0 | 37 | 00 911 673 0 | 34.0 | 29 | 00 912 670 0 | 47.0 | 3 |
| 00 910 414 0 | 28.0 | 19 | 00 910 514 1 | 47.0 | 8 | 00 910 903 0 | 34.0 | 37 | 00 911 680 0 | 37.0 | 5 | 00 912 670 0 | 47.0 | 9 |
| 00 910 414 0 | 35.0 | 26 | 00 910 514 1 | 48.0 | 3 | 00 910 904 0 | 34.0 | 37 | 00 911 686 0 | 38.0 | 2 | 00 912 670 0 | 48.0 | 2 |
| 00 910 414 0 | 39.0 | 47 | 00 910 515 2 | 23.0 | 38 | 00 910 910 0 | 5.0 | 21 | 00 911 691 0 | 34.0 | 44 | 00 912 677 0 | 30.0 | 18 |
| 00 910 414 0 | 40.0 | 11 | 00 910 515 2 | 24.0 | 47 | 00 910 912 0 | 5.0 | 21 | 00 911 695 0 | 38.0 | 21 | 00 912 717 0 | 35.0 | 19 |
| 00 910 414 0 | 41.0 | 11 | 00 910 516 1 | 28.0 | 6 | 00 910 914 0 | 5.0 | 21 | 00 911 804 0 | 36.0 | 5 | 00 912 722 0 | 59.0 | 27 |
| 00 910 414 0 | 43.0 | 11 | 00 910 603 0 | 26.0 | 4 | 00 910 972 0 | 37.0 | 6 | 00 911 804 0 | 48.0 | 5 | 00 912 742 0 | 2.1 | 72 |
| 00 910 414 0 | 44.0 | 11 | 00 910 603 0 | 57.0 | 19 | 00 910 973 0 | 37.0 | 6 | 00 912 022 0 | 35.0 | 25 | 00 912 744 0 | 34.0 | 35 |
| 00 910 414 0 | 47.0 | 17 | 00 910 603 0 | 58.0 | 23 | 00 910 974 0 | 37.0 | 6 | 00 912 028 1 | 35.0 | 7 | 00 914 138 0 | 52.0 | 10 |
| 00 910 506 1 | 2.1 | 54 | 00 910 609 0 | 12.0 | 2 | 00 910 974 0 | 38.0 | 43 | 00 912 066 0 | 12.0 | 25 | 00 915 010 0 | 34.0 | 38 |
| 00 910 506 1 | 6.0 | 40 | 00 910 609 0 | 30.0 | 9 | 00 910 991 0 | 38.0 | 19 | 00 912 091 1 | 6.0 | 12 | 00 915 010 0 | 38.0 | 28 |
| 00 910 506 1 | 11.0 | 5 | 00 910 616 0 | 27.0 | 36 | 00 910 991 0 | 38.0 | 36 | 00 912 108 1 | 31.0 | 9 | 00 915 072 0 | 5.0 | 17 |
| 00 910 506 1 | 11.3 | 5 | 00 910 621 0 | 37.0 | 18 | 00 910 992 0 | 38.0 | 19 | 00 912 113 1 | 2.1 | 42 | 00 915 131 0 | 34.0 | 26 |
| 00 910 506 1 | 12.0 | 17 | 00 910 624 0 | 1.0 | 22 | 00 910 992 0 | 38.0 | 36 | 00 912 136 1 | 2.1 | 2 | 00 915 182 0 | 4.0 | 12 |
| 00 910 506 1 | 21.0 | 11 | 00 910 624 0 | 2.0 | 22 | 00 910 993 0 | 38.0 | 19 | 00 912 287 1 | 45.0 | 9 | 00 915 207 0 | 38.0 | 46 |
| 00 910 506 1 | 22.0 | 14 | 00 910 639 0 | 4.0 | 13 | 00 910 993 0 | 38.0 | 36 | 00 912 452 0 | 27.0 | 16 | 00 915 277 0 | 5.0 | 12 |
| 00 910 506 1 | 26.0 | 28 | 00 910 714 0 | 37.0 | 9 | 00 910 994 0 | 38.0 | 19 | 00 912 516 2 | 2.1 | 71 | 00 915 543 0 | 26.0 | 38 |
| 00 910 506 1 | 28.0 | 15 | 00 910 715 0 | 25.0 | 19 | 00 910 994 0 | 38.0 | 36 | 00 912 539 1 | 39.0 | 2 | 00 915 544 0 | 3.0 | 22 |
| 00 910 506 1 | 33.0 | 9 | 00 910 718 1 | 26.0 | 24 | 00 911 002 0 | 5.0 | 9 | 00 912 579 1 | 43.0 | 14 | 00 916 014 0 | 12.0 | 26 |
| 00 910 506 1 | 37.0 | 14 | 00 910 718 1 | 31.1 | 11 | 00 911 002 0 | 34.0 | 40 | 00 912 579 1 | 44.0 | 14 | 00 917 004 1 | 46.0 | 6 |
| 00 910 506 1 | 40.0 | 15 | 00 910 730 0 | 37.0 | 3 | 00 911 003 0 | 5.0 | 9 | 00 912 586 0 | 25.0 | 5 | 00 917 004 1 | 47.0 | 33 |
| 00 910 506 1 | 41.0 | 15 | 00 910 740 0 | 26.0 | 41 | 00 911 003 0 | 34.0 | 40 | 00 912 586 0 | 25.0 | 23 | 00 917 006 1 | 40.0 | 45 |
| 00 910 506 1 | 42.0 | 12 | 00 910 746 0 | 38.0 | 37 | 00 911 004 0 | 5.0 | 9 | 00 912 608 0 | 38.0 | 22 | 00 917 006 1 | 41.0 | 44 |
| 00 910 506 1 | 43.0 | 6 | 00 910 821 0 | 37.0 | 9 | 00 911 165 0 | 5.0 | 15 | 00 912 613 0 | 15.0 | 18 | 00 917 104 0 | 26.0 | 22 |
| 00 910 506 1 | 44.0 | 6 | 00 910 822 0 | 37.0 | 9 | 00 911 166 0 | 5.0 | 15 | 00 912 613 0 | 35.0 | 13 | 00 917 508 0 | 6.0 | 42 |
| 00 910 506 1 | 45.0 | 12 | 00 910 822 0 | 37.0 | 18 | 00 911 168 0 | 5.0 | 15 | 00 912 613 0 | 35.0 | 16 | 00 917 508 0 | 11.0 | 16 |
| 00 910 506 1 | 47.0 | 15 | 00 910 852 0 | 34.0 | 53 | 00 911 317 0 | 3.0 | 32 | 00 912 616 1 | 31.0 | 4 | 00 917 508 0 | 11.3 | 16 |
| 00 910 511 0 | 6.0 | 37 | 00 910 860 0 | 5.0 | 22 | 00 911 322 0 | 3.0 | 23 | 00 912 616 1 | 31.1 | 4 | 00 917 603 0 | 15.0 | 20 |
| 00 910 511 0 | 11.0 | 10 | 00 910 862 0 | 5.0 | 22 | 00 911 502 0 | 25.0 | 18 | 00 912 616 1 | 36.0 | 6 | 00 917 604 0 | 6.0 | 43 |
| 00 910 511 0 | 11.3 | 10 | 00 910 863 0 | 5.0 | 22 | 00 911 506 0 | 38.0 | 18 | 00 912 639 0 | 28.0 | 31 | 00 917 604 0 | 11.0 | 8 |

| ID-NR. ID-NO. | TAFEL DIAG. | POS. POS. | ID-NR. ID-NO. | TAFEL DIAG. | POS. POS. | ID-NR. ID-NO. | TAFEL DIAG. | POS. POS. | ID-NR. ID-NO. | TAFEL DIAG. | POS. POS. | ID-NR. ID-NO. | TAFEL DIAG. | POS. POS. |
|------------------|----------------|--------------|------------------|----------------|--------------|------------------|----------------|--------------|------------------|----------------|--------------|------------------|----------------|--------------|
| 00 917 604 0 | 11.3 | 8 | 00 919 811 0 | 38.0 | 11 | 00 921 046 1 | 48.0 | 15 | 00 921 089 1 | 15.0 | 5 | 00 921 206 0 | 36.0 | 11 |
| 00 917 621 0 | 13.0 | 20 | 00 920 901 0 | 12.0 | 15 | 00 921 047 1 | 4.0 | 25 | 00 921 093 1 | 23.0 | 31 | 00 921 206 0 | 48.0 | 16 |
| 00 917 621 0 | 23.0 | 12 | 00 920 904 0 | 23.0 | 5 | 00 921 047 1 | 57.0 | 14 | 00 921 093 1 | 24.0 | 13 | 00 921 263 0 | 57.0 | 1 |
| 00 917 621 0 | 24.0 | 30 | 00 920 904 0 | 24.0 | 11 | 00 921 047 1 | 58.0 | 4 | 00 921 095 1 | 4.0 | 7 | 00 921 263 0 | 58.0 | 19 |
| 00 918 304 0 | 3.0 | 39 | 00 920 911 1 | 13.0 | 12 | 00 921 053 1 | 4.0 | 28 | 00 921 112 1 | 4.0 | 23 | 00 921 265 0 | 13.0 | 1 |
| 00 918 705 0 | 12.0 | 18 | 00 920 911 1 | 18.0 | 1 | 00 921 054 1 | 12.0 | 7 | 00 921 112 1 | 16.0 | 27 | 00 921 417 0 | 29.0 | 7 |
| 00 918 710 0 | 48.0 | 5 | 00 920 911 1 | 19.0 | 1 | 00 921 054 1 | 13.0 | 4 | 00 921 112 1 | 17.0 | 6 | 00 921 721 0 | 26.0 | 32 |
| 00 918 726 0 | 23.0 | 19 | 00 920 911 1 | 58.0 | 1 | 00 921 054 1 | 48.0 | 14 | 00 921 119 1 | 4.0 | 6 | 00 921 980 0 | 26.0 | 31 |
| 00 918 726 0 | 24.0 | 18 | 00 920 919 0 | 13.0 | 22 | 00 921 057 1 | 55.0 | 8 | 00 921 144 0 | 55.0 | 7 | 00 921 992 0 | 26.0 | 31 |
| 00 918 733 0 | 12.0 | 18 | 00 920 932 0 | 58.0 | 6 | 00 921 060 1 | 55.0 | 9 | 00 921 145 0 | 13.0 | 2 | 00 922 024 0 | 3.0 | 3 |
| 00 918 755 0 | 36.0 | 5 | 00 920 934 0 | 58.0 | 6 | 00 921 060 1 | 56.0 | 18 | 00 921 145 0 | 58.1 | 5 | 00 922 313 0 | 26.0 | 25 |
| 00 919 003 0 | 59.0 | 25 | 00 920 972 0 | 36.0 | 8 | 00 921 060 1 | 58.1 | 1 | 00 921 146 0 | 57.0 | 12 | 00 922 582 0 | 3.0 | 3 |
| 00 919 004 0 | 2.1 | 64 | 00 920 981 1 | 4.0 | 19 | 00 921 062 1 | 4.0 | 20 | 00 921 146 0 | 58.0 | 8 | 00 922 610 0 | 3.0 | 8 |
| 00 919 105 0 | 2.1 | 58 | 00 920 982 2 | 4.0 | 21 | 00 921 065 1 | 4.0 | 24 | 00 921 155 0 | 12.0 | 5 | 00 922 671 0 | 51.0 | 10 |
| 00 919 105 0 | 3.0 | 30 | 00 921 001 0 | 23.0 | 8 | 00 921 065 1 | 16.0 | 6 | 00 921 160 1 | 13.0 | 24 | 00 922 671 0 | 51.1 | 22 |
| 00 919 105 0 | 7.0 | 19 | 00 921 001 0 | 24.0 | 9 | 00 921 065 1 | 17.0 | 28 | 00 921 167 0 | 57.0 | 2 | 00 922 671 0 | 52.0 | 21 |
| 00 919 105 0 | 10.0 | 24 | 00 921 003 1 | 12.0 | 14 | 00 921 065 1 | 58.0 | 2 | 00 921 167 0 | 58.0 | 18 | 00 922 672 0 | 51.0 | 10 |
| 00 919 105 0 | 25.0 | 26 | 00 921 003 1 | 36.0 | 9 | 00 921 066 1 | 12.0 | 11 | 00 921 169 0 | 57.0 | 6 | 00 922 672 0 | 51.1 | 22 |
| 00 919 105 0 | 30.0 | 35 | 00 921 003 1 | 58.1 | 2 | 00 921 067 1 | 13.0 | 8 | 00 921 169 0 | 58.0 | 16 | 00 922 672 0 | 52.0 | 21 |
| 00 919 105 0 | 32.0 | 20 | 00 921 006 0 | 29.0 | 8 | 00 921 067 1 | 14.0 | 22 | 00 921 170 0 | 4.0 | 4 | 00 922 672 0 | 57.0 | 17 |
| 00 919 107 0 | 3.0 | 12 | 00 921 006 0 | 48.0 | 1 | 00 921 067 1 | 56.0 | 19 | 00 921 171 0 | 57.0 | 11 | 00 922 672 0 | 58.0 | 20 |
| 00 919 108 0 | 31.0 | 11 | 00 921 019 1 | 12.0 | 6 | 00 921 071 1 | 12.0 | 13 | 00 921 171 0 | 58.0 | 9 | 00 922 672 0 | 58.1 | 3 |
| 00 919 502 0 | 49.0 | 3 | 00 921 019 1 | 13.0 | 3 | 00 921 071 1 | 23.0 | 14 | 00 921 171 0 | 58.1 | 6 | 00 922 947 1 | 15.0 | 17 |
| 00 919 502 0 | 50.0 | 1 | 00 921 020 0 | 58.1 | 4 | 00 921 071 1 | 24.0 | 8 | 00 921 173 0 | 4.0 | 5 | 00 922 952 0 | 6.0 | 44 |
| 00 919 509 0 | 35.0 | 17 | 00 921 023 1 | 57.0 | 7 | 00 921 071 1 | 29.0 | 12 | 00 921 173 0 | 58.0 | 11 | 00 922 952 0 | 11.0 | 9 |
| 00 919 631 0 | 55.0 | 4 | 00 921 023 1 | 58.0 | 15 | 00 921 071 1 | 36.0 | 13 | 00 921 174 0 | 58.0 | 10 | 00 922 952 0 | 11.3 | 9 |
| 00 919 631 0 | 56.0 | 6 | 00 921 028 1 | 13.0 | 11 | 00 921 071 1 | 48.0 | 17 | 00 921 179 1 | 4.0 | 18 | 00 924 003 0 | 48.0 | 4 |
| 00 919 632 0 | 55.0 | 6 | 00 921 036 1 | 57.0 | 13 | 00 921 074 1 | 4.0 | 22 | 00 921 182 0 | 4.0 | 2 | 00 924 010 0 | 13.0 | 14 |
| 00 919 632 0 | 56.0 | 5 | 00 921 036 1 | 58.0 | 7 | 00 921 074 1 | 14.0 | 16 | 00 921 182 0 | 57.0 | 4 | 00 924 208 0 | 51.0 | 12 |
| 00 919 633 0 | 55.0 | 5 | 00 921 039 1 | 48.0 | 9 | 00 921 074 1 | 15.0 | 7 | 00 921 182 0 | 57.0 | 9 | 00 924 248 0 | 39.0 | 32 |
| 00 919 633 0 | 56.0 | 7 | 00 921 043 0 | 4.0 | 26 | 00 921 074 1 | 16.0 | 2 | 00 921 182 0 | 58.0 | 13 | 00 924 251 0 | 39.0 | 34 |
| 00 919 634 0 | 55.0 | 2 | 00 921 043 0 | 57.0 | 15 | 00 921 074 1 | 17.0 | 2 | 00 921 183 1 | 4.0 | 3 | 00 924 262 0 | 39.0 | 12 |
| 00 919 635 0 | 55.0 | 3 | 00 921 043 0 | 58.0 | 3 | 00 921 074 1 | 18.0 | 7 | 00 921 183 1 | 57.0 | 3 | 00 924 517 0 | 51.0 | 18 |
| 00 919 640 0 | 55.0 | 14 | 00 921 045 1 | 48.0 | 8 | 00 921 074 1 | 19.0 | 7 | 00 921 183 1 | 57.0 | 8 | 00 924 517 0 | 51.1 | 12 |
| 00 919 640 0 | 56.0 | 8 | 00 921 046 1 | 12.0 | 8 | 00 921 077 1 | 13.0 | 21 | 00 921 183 1 | 58.0 | 12 | 00 924 531 0 | 51.0 | 7 |
| 00 919 641 0 | 55.0 | 15 | 00 921 046 1 | 13.0 | 5 | 00 921 083 1 | 48.0 | 13 | 00 921 206 0 | 12.0 | 9 | 00 924 532 0 | 51.0 | 11 |
| 00 919 641 0 | 56.0 | 4 | 00 921 046 1 | 23.0 | 2 | 00 921 086 0 | 29.0 | 9 | 00 921 206 0 | 13.0 | 6 | 00 924 532 0 | 51.1 | 18 |
| 00 919 642 0 | 56.0 | 3 | 00 921 046 1 | 24.0 | 7 | 00 921 086 0 | 48.0 | 12 | 00 921 206 0 | 23.0 | 3 | 00 924 532 0 | 52.0 | 15 |
| 00 919 643 0 | 56.0 | 2 | 00 921 046 1 | 29.0 | 10 | 00 921 089 1 | 13.0 | 10 | 00 921 206 0 | 24.0 | 6 | 00 924 536 0 | 51.0 | 13 |
| 00 919 811 0 | 34.0 | 12 | 00 921 046 1 | 36.0 | 10 | 00 921 089 1 | 14.0 | 24 | 00 921 206 0 | 29.0 | 11 | 00 924 536 0 | 51.1 | 24 |

| ID-NR. | TAFEL | POS. | ID-NR. | TAFEL | POS. | ID-NR. | TAFEL | POS. | ID-NR. | TAFEL | POS. | ID-NR. | TAFEL | POS. |
|--------------|-------|------|--------------|-------|------|--------------|-------|------|--------------|-------|------|--------------|-------|------|
| ID-NO. | DIAG. | POS. | ID-NO. | DIAG. | POS. | ID-NO. | DIAG. | POS. | ID-NO. | DIAG. | POS. | ID-NO. | DIAG. | POS. |
| 00 924 536 0 | 52.0 | 20 | 00 924 699 0 | 52.0 | 4 | 00 934 629 0 | 32.0 | 11 | 00 938 166 0 | 27.0 | 25 | 00 940 114 0 | 31.1 | 17 |
| 00 924 571 0 | 51.0 | 3 | 00 924 718 0 | 51.1 | 13 | 00 934 653 0 | 32.0 | 21 | 00 938 315 0 | 27.0 | 1 | 00 941 681 0 | 2.0 | 15 |
| 00 924 571 0 | 51.1 | 11 | 00 925 016 0 | 28.0 | 29 | 00 934 910 0 | 26.0 | 36 | 00 938 316 0 | 27.0 | 4 | 00 941 682 0 | 2.0 | 19 |
| 00 924 571 0 | 52.0 | 13 | 00 925 105 0 | 36.0 | 14 | 00 934 920 0 | 3.0 | 55 | 00 938 317 0 | 27.0 | 27 | 00 941 683 0 | 2.0 | 17 |
| 00 924 572 0 | 51.1 | 3 | 00 925 105 0 | 48.0 | 19 | 00 934 934 0 | 30.0 | 34 | 00 938 318 0 | 27.0 | 22 | 00 941 684 0 | 2.0 | 18 |
| 00 924 576 0 | 51.0 | 1 | 00 925 111 0 | 39.0 | 10 | 00 934 935 0 | 3.0 | 34 | 00 938 319 0 | 27.0 | 13 | 00 941 686 0 | 2.0 | 21 |
| 00 924 576 0 | 51.1 | 14 | 00 925 112 0 | 51.0 | 21 | 00 934 949 0 | 31.0 | 12 | 00 938 320 0 | 27.0 | 38 | 00 941 687 0 | 2.0 | 20 |
| 00 924 576 0 | 52.0 | 17 | 00 925 112 0 | 51.1 | 20 | 00 935 900 0 | 27.0 | 5 | 00 938 321 0 | 27.0 | 11 | 00 941 688 0 | 2.0 | 16 |
| 00 924 590 1 | 51.0 | 9 | 00 925 112 0 | 52.0 | 18 | 00 936 002 0 | 38.0 | 27 | 00 938 330 0 | 27.0 | 44 | 00 941 691 0 | 1.0 | 21 |
| 00 924 592 1 | 52.0 | 25 | 00 925 134 0 | 36.0 | 15 | 00 936 012 1 | 34.0 | 1 | 00 938 345 0 | 27.0 | 28 | 00 941 692 0 | 1.0 | 20 |
| 00 924 600 1 | 51.0 | 15 | 00 925 181 0 | 51.0 | 17 | 00 936 300 0 | 34.0 | 36 | 00 938 346 0 | 27.0 | 41 | 00 941 693 0 | 1.0 | 19 |
| 00 924 604 0 | 52.0 | 7 | 00 925 181 0 | 51.1 | 21 | 00 936 321 0 | 5.0 | 23 | 00 938 634 0 | 20.0 | 5 | 00 941 694 0 | 1.0 | 18 |
| 00 924 606 0 | 52.0 | 8 | 00 925 208 0 | 38.0 | 1 | 00 936 365 0 | 37.0 | 1 | 00 938 831 0 | 30.0 | 6 | 00 941 695 0 | 1.0 | 17 |
| 00 924 610 1 | 51.0 | 20 | 00 926 101 0 | 5.0 | 1 | 00 936 402 0 | 34.0 | 17 | 00 938 832 0 | 30.0 | 8 | 00 941 696 0 | 1.0 | 16 |
| 00 924 610 1 | 51.1 | 15 | 00 926 101 0 | 34.0 | 60 | 00 936 420 0 | 5.0 | 2 | 00 938 833 0 | 30.0 | 11 | 00 941 697 0 | 1.0 | 15 |
| 00 924 610 1 | 52.0 | 16 | 00 926 101 0 | 38.0 | 45 | 00 936 440 0 | 34.0 | 47 | 00 938 833 0 | 32.0 | 1 | 00 941 698 0 | 1.0 | 32 |
| 00 924 635 0 | 43.0 | 37 | 00 928 207 0 | 24.0 | 17 | 00 937 501 0 | 7.0 | 11 | 00 938 833 0 | 34.0 | 15 | 00 941 699 0 | 1.0 | 31 |
| 00 924 635 0 | 44.0 | 36 | 00 930 110 0 | 34.0 | 16 | 00 937 510 0 | 38.0 | 32 | 00 938 871 0 | 20.0 | 5 | 00 941 700 0 | 1.0 | 30 |
| 00 924 639 0 | 51.1 | 6 | 00 930 112 0 | 5.0 | 8 | 00 937 545 0 | 34.0 | 46 | 00 938 944 0 | 39.0 | 14 | 00 941 701 0 | 1.0 | 29 |
| 00 924 640 0 | 52.0 | 1 | 00 930 240 0 | 31.1 | 8 | 00 937 545 0 | 38.0 | 33 | 00 938 965 0 | 20.0 | 5 | 00 941 702 0 | 1.0 | 28 |
| 00 924 644 0 | 51.1 | 7 | 00 930 264 0 | 34.0 | 34 | 00 937 552 0 | 34.0 | 24 | 00 938 984 0 | 39.0 | 9 | 00 941 703 0 | 1.0 | 27 |
| 00 924 645 0 | 51.1 | 8 | 00 930 327 0 | 34.0 | 5 | 00 937 559 0 | 7.0 | 21 | 00 939 100 0 | 60.0 | 7 | 00 941 704 0 | 1.0 | 26 |
| 00 924 646 0 | 51.1 | 2 | 00 930 535 0 | 30.0 | 2 | 00 937 559 0 | 10.0 | 20 | 00 939 101 4 | 60.0 | 8 | 00 942 028 0 | 61.0 | 8 |
| 00 924 649 0 | 51.1 | 9 | 00 931 336 0 | 5.0 | 20 | 00 937 561 0 | 10.0 | 11 | 00 939 145 1 | 61.0 | 8 | 00 942 040 1 | 61.0 | 7 |
| 00 924 660 0 | 52.0 | 9 | 00 931 901 0 | 38.0 | 5 | 00 937 562 0 | 38.0 | 34 | 00 939 159 1 | 61.0 | 8 | 00 942 134 0 | 61.0 | 4 |
| 00 924 669 0 | 52.0 | 5 | 00 931 906 0 | 34.0 | 57 | 00 937 721 0 | 16.0 | 24 | 00 939 175 1 | 61.0 | 8 | 00 942 196 1 | 60.0 | 6 |
| 00 924 674 0 | 52.0 | 2 | 00 932 137 0 | 37.0 | 4 | 00 937 721 0 | 17.0 | 24 | 00 939 182 2 | 61.0 | 3 | 00 942 198 1 | 61.0 | 1 |
| 00 924 688 0 | 43.0 | 37 | 00 932 138 0 | 38.0 | 35 | 00 937 727 0 | 34.0 | 11 | 00 939 184 1 | 60.0 | 3 | 00 942 233 0 | 61.0 | 7 |
| 00 924 688 0 | 44.0 | 36 | 00 932 141 0 | 10.0 | 4 | 00 937 727 0 | 38.0 | 12 | 00 939 218 1 | 61.0 | 8 | 00 944 906 0 | 18.0 | 17 |
| 00 924 695 0 | 52.0 | 11 | 00 932 145 0 | 2.1 | 5 | 00 937 982 0 | 27.0 | 12 | 00 939 299 1 | 61.0 | 5 | 00 944 906 0 | 19.0 | 17 |
| 00 924 697 0 | 51.0 | 8 | 00 932 149 0 | 7.0 | 6 | 00 938 054 1 | 27.0 | 9 | 00 939 407 1 | 60.0 | 2 | 00 944 917 0 | 21.0 | 12 |
| 00 924 697 0 | 51.1 | 10 | 00 932 150 0 | 7.0 | 10 | 00 938 068 0 | 27.0 | 21 | 00 939 412 2 | 60.0 | 3 | 00 944 917 0 | 22.0 | 11 |
| 00 924 697 0 | 52.0 | 3 | 00 932 159 0 | 10.0 | 10 | 00 938 080 1 | 27.0 | 20 | 00 939 414 2 | 60.0 | 4 | 00 945 000 0 | 14.0 | 4 |
| 00 924 698 0 | 51.0 | 16 | 00 932 183 0 | 38.0 | 20 | 00 938 081 0 | 27.0 | 19 | 00 939 471 1 | 60.0 | 1 | 00 945 012 0 | 14.0 | 5 |
| 00 924 698 0 | 51.1 | 1 | 00 932 184 0 | 2.1 | 14 | 00 938 107 1 | 27.0 | 26 | 00 939 478 2 | 61.0 | 6 | 00 945 014 0 | 14.0 | 12 |
| 00 924 698 0 | 52.0 | 12 | 00 932 190 0 | 5.0 | 14 | 00 938 131 1 | 27.0 | 18 | 00 939 521 1 | 60.0 | 5 | 00 945 022 0 | 18.0 | 15 |
| 00 924 699 0 | 51.0 | 8 | 00 932 191 0 | 37.0 | 21 | 00 938 136 1 | 27.0 | 17 | 00 939 573 0 | 61.0 | 9 | 00 945 022 0 | 19.0 | 15 |
| 00 924 699 0 | 51.0 | 16 | 00 932 300 0 | 34.0 | 39 | 00 938 148 2 | 27.0 | 8 | 00 940 103 0 | 13.0 | 23 | 00 945 037 0 | 19.0 | 17 |
| 00 924 699 0 | 51.1 | 1 | 00 933 505 0 | 25.0 | 11 | 00 938 150 1 | 27.0 | 39 | 00 940 104 0 | 50.0 | 21 | 00 945 051 0 | 14.0 | 1 |
| 00 924 699 0 | 51.1 | 10 | 00 934 006 1 | 27.0 | 33 | 00 938 154 1 | 27.0 | 7 | 00 940 104 0 | 53.0 | 6 | 00 945 067 0 | 18.0 | 11 |

| ID-NR. | TAFEL | POS. | ID-NR. | TAFEL | POS. | ID-NR. | TAFEL | POS. | ID-NR. | TAFEL | POS. | ID-NR. | TAFEL | POS. |
|--------------|-------|------|--------------|-------|------|--------------|-------|------|--------------|-------|------|--------------|-------|------|
| ID-NO. | DIAG. | POS. | ID-NO. | DIAG. | POS. | ID-NO. | DIAG. | POS. | ID-NO. | DIAG. | POS. | ID-NO. | DIAG. | POS. |
| 00 945 067 0 | 19.0 | 11 | 00 945 153 0 | 16.0 | 14 | 00 945 518 0 | 16.0 | 23 | 00 951 357 0 | 10.0 | 3 | 00 952 402 0 | 25.0 | 20 |
| 00 945 068 1 | 18.0 | 14 | 00 945 157 0 | 16.0 | 14 | 00 945 518 0 | 17.0 | 23 | 00 951 358 0 | 7.0 | 18 | 00 952 421 0 | 10.0 | 5 |
| 00 945 068 1 | 19.0 | 14 | 00 945 157 0 | 17.0 | 14 | 00 949 124 2 | 59.0 | 1 | 00 951 358 0 | 10.0 | 19 | 00 952 464 0 | 25.0 | 4 |
| 00 945 083 0 | 14.0 | 23 | 00 945 341 0 | 15.0 | 14 | 00 949 239 0 | 59.0 | 15 | 00 951 359 0 | 7.0 | 20 | 00 952 466 0 | 25.0 | 3 |
| 00 945 083 0 | 15.0 | 27 | 00 945 349 0 | 16.0 | 9 | 00 949 265 0 | 59.0 | 4 | 00 951 359 0 | 10.0 | 21 | 00 952 467 0 | 25.0 | 1 |
| 00 945 083 0 | 16.0 | 25 | 00 945 349 0 | 17.0 | 9 | 00 949 273 1 | 59.0 | 5 | 00 951 360 0 | 10.0 | 25 | 00 952 469 0 | 25.0 | 2 |
| 00 945 083 0 | 17.0 | 26 | 00 945 358 0 | 15.0 | 32 | 00 949 274 0 | 59.0 | 11 | 00 951 363 0 | 7.0 | 17 | 00 952 477 0 | 25.0 | 16 |
| 00 945 084 0 | 14.0 | 6 | 00 945 399 1 | 17.0 | 25 | 00 949 275 1 | 59.0 | 16 | 00 951 363 0 | 10.0 | 14 | 00 952 481 0 | 25.0 | 13 |
| 00 945 084 0 | 15.0 | 4 | 00 945 420 0 | 15.0 | 31 | 00 949 276 0 | 59.0 | 21 | 00 951 364 1 | 10.0 | 13 | 00 952 598 0 | 25.0 | 6 |
| 00 945 084 0 | 16.0 | 13 | 00 945 424 0 | 15.0 | 21 | 00 949 277 0 | 59.0 | 23 | 00 951 368 0 | 8.0 | 8 | 00 952 637 0 | 6.0 | 28 |
| 00 945 084 0 | 17.0 | 13 | 00 945 427 0 | 9.0 | 1 | 00 949 278 0 | 59.0 | 24 | 00 951 369 0 | 10.0 | 7 | 00 952 638 0 | 6.0 | 35 |
| 00 945 085 0 | 9.0 | 5 | 00 945 428 0 | 9.0 | 4 | 00 949 279 0 | 59.0 | 26 | 00 951 370 0 | 7.0 | 2 | 00 952 639 0 | 6.0 | 18 |
| 00 945 085 0 | 14.0 | 9 | 00 945 429 0 | 9.0 | 3 | 00 949 280 0 | 59.0 | 51 | 00 951 372 0 | 7.0 | 13 | 00 952 640 0 | 6.0 | 19 |
| 00 945 085 0 | 16.0 | 11 | 00 945 437 0 | 14.0 | 4 | 00 949 281 0 | 59.0 | 52 | 00 951 373 0 | 7.0 | 16 | 00 952 641 0 | 6.0 | 23 |
| 00 945 085 0 | 17.0 | 11 | 00 945 437 0 | 14.0 | 5 | 00 949 282 0 | 59.0 | 53 | 00 951 374 0 | 7.0 | 16 | 00 952 900 0 | 2.1 | 8 |
| 00 945 086 0 | 9.0 | 6 | 00 945 447 0 | 16.0 | 19 | 00 949 283 0 | 59.0 | 59 | 00 951 380 0 | 7.0 | 9 | 00 952 921 0 | 2.1 | 11 |
| 00 945 086 0 | 14.0 | 8 | 00 945 447 0 | 17.0 | 19 | 00 949 345 0 | 59.0 | 28 | 00 951 807 0 | 10.0 | 1 | 00 952 922 0 | 2.1 | 18 |
| 00 945 086 0 | 16.0 | 10 | 00 945 461 0 | 19.0 | 19 | 00 949 346 0 | 59.0 | 29 | 00 951 881 0 | 8.0 | 7 | 00 952 935 0 | 2.1 | 59 |
| 00 945 086 0 | 17.0 | 10 | 00 945 485 0 | 9.0 | 2 | 00 949 352 0 | 59.0 | 56 | 00 951 894 0 | 8.0 | 6 | 00 952 936 0 | 2.1 | 60 |
| 00 945 088 0 | 14.0 | 14 | 00 945 485 0 | 14.0 | 7 | 00 949 521 0 | 59.0 | 31 | 00 952 068 0 | 2.1 | 16 | 00 952 937 0 | 2.1 | 60 |
| 00 945 088 0 | 15.0 | 29 | 00 945 485 0 | 16.0 | 12 | 00 949 524 0 | 59.0 | 30 | 00 952 073 0 | 2.1 | 13 | 00 952 938 0 | 2.1 | 39 |
| 00 945 088 0 | 16.0 | 26 | 00 945 485 0 | 17.0 | 12 | 00 949 629 0 | 59.0 | 22 | 00 952 074 0 | 2.1 | 17 | 00 952 939 0 | 2.1 | 15 |
| 00 945 088 0 | 17.0 | 27 | 00 945 487 0 | 16.0 | 4 | 00 949 630 0 | 59.0 | 12 | 00 952 075 0 | 6.0 | 4 | 00 952 940 0 | 2.1 | 35 |
| 00 945 088 0 | 18.0 | 12 | 00 945 487 0 | 17.0 | 4 | 00 949 852 0 | 59.0 | 58 | 00 952 076 0 | 6.0 | 25 | 00 952 941 0 | 2.1 | 66 |
| 00 945 088 0 | 19.0 | 12 | 00 945 487 0 | 18.0 | 3 | 00 949 861 0 | 59.0 | 55 | 00 952 077 0 | 6.0 | 27 | 00 952 942 0 | 2.1 | 55 |
| 00 945 089 0 | 14.0 | 11 | 00 945 487 0 | 19.0 | 3 | 00 950 262 0 | 10.0 | 40 | 00 952 078 0 | 6.0 | 34 | 00 952 943 0 | 2.1 | 46 |
| 00 945 089 0 | 15.0 | 12 | 00 945 488 0 | 18.0 | 9 | 00 950 282 0 | 2.1 | 65 | 00 952 079 0 | 6.0 | 26 | 00 952 944 0 | 2.1 | 57 |
| 00 945 089 0 | 16.0 | 3 | 00 945 488 0 | 19.0 | 9 | 00 950 600 0 | 7.0 | 30 | 00 952 080 0 | 6.0 | 26 | 00 952 945 0 | 2.1 | 50 |
| 00 945 089 0 | 17.0 | 3 | 00 945 489 0 | 15.0 | 11 | 00 950 601 0 | 8.0 | 30 | 00 952 081 0 | 6.0 | 32 | 00 952 946 0 | 2.1 | 45 |
| 00 945 089 0 | 18.0 | 2 | 00 945 495 0 | 14.0 | 17 | 00 951 327 0 | 7.0 | 14 | 00 952 082 0 | 6.0 | 32 | 00 952 947 0 | 2.1 | 44 |
| 00 945 089 0 | 19.0 | 2 | 00 945 495 0 | 15.0 | 6 | 00 951 328 0 | 7.0 | 4 | 00 952 083 0 | 6.0 | 31 | 00 952 948 0 | 2.1 | 47 |
| 00 945 104 0 | 16.0 | 5 | 00 945 496 0 | 14.0 | 15 | 00 951 328 0 | 10.0 | 2 | 00 952 095 0 | 2.1 | 20 | 00 952 949 0 | 2.1 | 43 |
| 00 945 104 0 | 17.0 | 5 | 00 945 497 0 | 16.0 | 8 | 00 951 338 0 | 7.0 | 12 | 00 952 096 0 | 2.1 | 77 | 00 952 950 0 | 2.1 | 41 |
| 00 945 104 0 | 18.0 | 4 | 00 945 497 0 | 17.0 | 8 | 00 951 340 0 | 7.0 | 3 | 00 952 311 0 | 28.0 | 20 | 00 952 951 0 | 2.1 | 67 |
| 00 945 104 0 | 19.0 | 4 | 00 945 500 0 | 15.0 | 2 | 00 951 341 0 | 7.0 | 7 | 00 952 393 0 | 25.0 | 24 | 00 952 952 0 | 2.1 | 40 |
| 00 945 107 1 | 15.0 | 8 | 00 945 504 0 | 16.0 | 1 | 00 951 344 0 | 7.0 | 24 | 00 952 394 0 | 25.0 | 22 | 00 952 953 0 | 2.1 | 38 |
| 00 945 132 0 | 14.0 | 18 | 00 945 504 0 | 17.0 | 1 | 00 951 349 0 | 10.0 | 18 | 00 952 395 0 | 25.0 | 14 | 00 952 954 0 | 2.1 | 69 |
| 00 945 132 0 | 15.0 | 1 | 00 945 504 0 | 18.0 | 5 | 00 951 350 0 | 10.0 | 9 | 00 952 396 0 | 25.0 | 21 | 00 952 955 0 | 2.1 | 70 |
| 00 945 151 0 | 16.0 | 15 | 00 945 504 0 | 19.0 | 5 | 00 951 355 0 | 10.0 | 8 | 00 952 400 0 | 25.0 | 15 | 00 952 956 0 | 2.1 | 32 |
| 00 945 151 0 | 17.0 | 15 | 00 945 518 0 | 14.0 | 10 | 00 951 356 0 | 10.0 | 17 | 00 952 401 0 | 25.0 | 10 | 00 952 957 0 | 2.1 | 56 |

Verwenden Sie nur

Original-KRONE-Ersatzteile!

Das gibt Sicherheit und spart Kosten!

Original-KRONE-Ersatzteile bieten die Garantie für höchste Verschleißfestigkeit, lange Lebensdauer und preiswerten Einkauf!

Sie bekommen bei Krone nur Materialien in einwandfreier Qualität und absolut passend für Ihre KRONE-Maschinen. Bei Verwendung von Original-KRONE-Ersatzteilen entspricht das Gerät in Funktion und Arbeitsweise wieder der ursprünglichen Ausführung!

Imitationen und Kopien von Teilen, speziell auf dem Sektor Verschleißteile halten nicht das, was sie vom Aussehen vielleicht versprechen. Material-Qualität kann man schlecht optisch prüfen - daher größte Vorsicht bei Billigangeboten!

**Darum lieber gleich
Original-KRONE-Ersatzteile!**

**Ersatzteil-Katalog auch
auf CD-ROM erhältlich!**

Use

Original-KRONE parts only

**This will increase operational reliability
and help to save costs!**

Original-KRONE-spare parts give you the guarantee of maximum resistance to wear, long life and low prices!

KRONE provides you with parts of first-rate quality which are perfectly suitable for your KRONE machine. By using original KRONE parts you can be sure that function and mode of operation are again as satisfactory as on a new machine!

Imitations and copies of parts, in particular working parts, are not as reliable as they seem to be! The quality of material can hardly be checked with the eye - it is therefore not advisable to purchase imitation parts even if these are cheaper.

**In any case it's better
to use original KRONE parts!**

**Sparte parts list also
available as CD-ROM!**

N'utiliser que

**des pièces de rechange
d'origine KRONE!**

**Vous augmentez ainsi la sécurité de
fonctionnement et vous réduisez
considérablement vos coûts!**

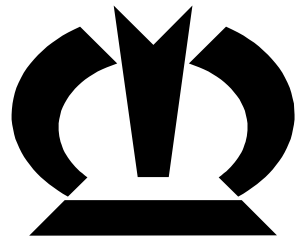
Les pièces de rechange d'origine Krone vous donnent la sécurité d'une exceptionnelle résistance à l'usure, d'une longue durée d'utilisation et de prix avantageux.

KRONE vous offre uniquement des pièces de première qualité parfaitement adaptées à votre machine KRONE. En utilisant des pièces de rechange d'origine KRONE vous pouvez être sûr que fonctionnement et le mode de travail sont identiques à ceux d'une machine nouvelle.

Les imitations et copies de pièces, tout particulièrement des pièces d'usure, ne tiennent pas ce qu'elles promettent par leur apparence! En effet il n'est guère possible de vérifier visuellement la qualité d'une matière. Il est donc prudent de juger avec scepticisme les pièces de rechange à bas prix!

**De toute façon il est raisonnable de donner la préférence au
pièces de rechange d'origine KRONE!**

**Catalogue de pièces de rechange
également disponible sur CD-ROM!**



KRONE

... konsequent, kompetent

Maschinenfabrik Bernard Krone GmbH

Heinrich-Krone-Straße 10, D-48480 Spelle
Postfach 11 63, D-48478 Spelle

Phone +049 (0) 59 77/935-0
Fax +049 (0) 59 77/935-339 - Zentrale
Fax +049 (0) 59 77/935-239 - ET-Lager

Internet: <http://www.krone.de>
eMail: info.ldm@krone.de