

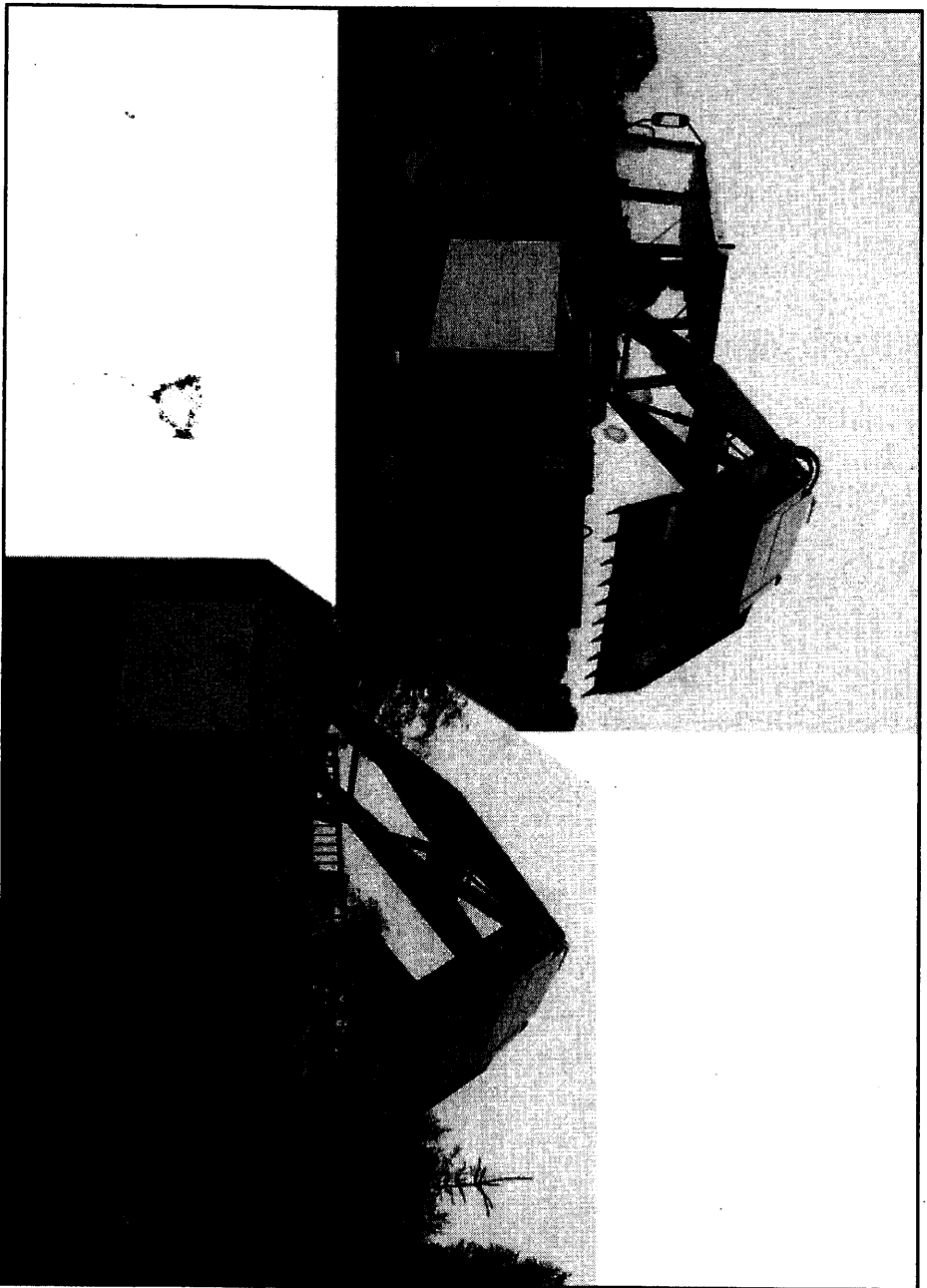
TRIOLIET

Trioliet

Uitkildoseermachines

Siloentname- und Verteilgeräte

Silomaster/UKW 3500



Onderdelen- en Werkplaatshandboek
Ersatzteilliste und Werkstatthandbuch

Bestelnummer / Bestellnummer 92123

Geldig vanaf productieserie nr. / Gültig ab Prod. Serie No.: 01

INHOUDSOPGAVE

- Afb. 1 Stikkerpakket Silomaster / UKW 3500
- 2 Dissel UKW 3500
- 3 Wielstel UKW 3500
- 4 Frame Silomaster / UKW 3500
- 5 Doseerwals rechts lossend Silomaster / UKW 3500
- 6 Doseerwals dubbelzijdig lossend Silomaster / UKW 3500
- 7 Laadframe + snijbord Silomaster / UKW 3500
- 8 Krabbord Silomaster / UKW 3500
- 9 Snijsysteem Silomaster / UKW 3500
- 10 Stuurblok uitwendig Silomaster / UKW 3500
- 11 Stuurblok inwendig Silomaster / UKW 3500
- 12 Achter- en zijmescilinder Silomaster / UKW 3500
- 13 Aanzet- /intrekcilinder Silomaster / UKW 3500
- 14A Handbediening Silomaster
- 14B Handbediening UKW 3500
- 15A Mechanische afstandsbediening Silomaster
- 15B Mechanische afstandsbediening UKW 3500
- 16 Klepcilinder en wielarmcilinder
- 17 Slangenloop Silomaster enkelz. lossend met snijsysteem
- 18 Slangenloop Silomaster dubbelz.lossend met snijsysteem
- 19 Slangenloop UKW 3500 enkelz. lossend met snijsysteem
- 20 Slangenloop UKW 3500 dubbelz.lossend met snijsysteem
- 21 Slangenloop Silomaster enkelz. lossend met krabsysteem
- 22 Slangenloop Silomaster dubbelz. lossend met krabsysteem
- 23 Slangenloop UKW 3500 enkelz. lossend met krabsysteem
- 24 Slangenloop UKW 3500 dubbelz. lossend met krabsysteem

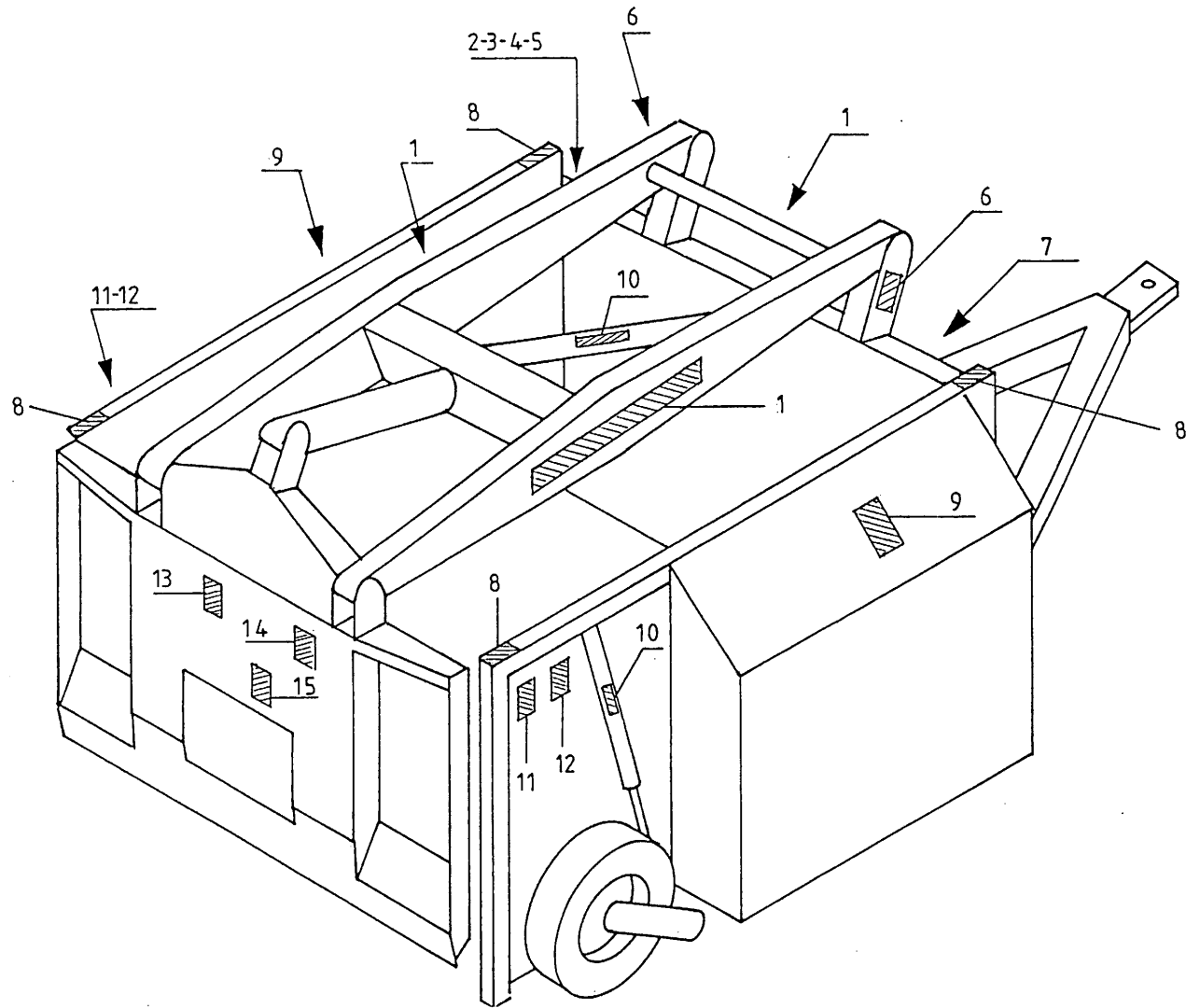
INHALTVERZEICHNIS

- Abb. 1 Aufkleber Silomaster / UKW 3500
- 2 Deichsel UKW 3500
- 3 Radachse UKW 3500
- 4 Rahmen Silomaster / UKW 3500
- 5 Dosierwalze Rechter Entleerung Silomaster / UKW 3500
- 6 Dosierwalze doppels. Entleerung Silomaster / UKW 3500
- 7 Ladeschwinge + Schneidplatte Silomaster / UKW 3500
- 8 Kamm Silomaster / UKW 3500
- 9 Schneidplatte Silomaster / UKW 3500
- 10 Steuerblock Außenseite Silomaster / UKW 3500
- 11 Steuerblock Innenseite Silomaster / UKW 3500
- 12 Heck- und Seitenzylinder Silomaster / UKW 3500
- 13 Schneidrahmen zylindern Silomaster / UKW 3500
- 14A Handbediening Silomaster
- 14B Handbediening UKW 3500
- 15A Mechanische Fernbediening Silomaster
- 15B Mechanische Fernbediening UKW 3500
- 16 Klappezylinder und Radarmzylinder
- 17 Hydr.-Plan Silomaster einseitige Entl. mit Schneidmesser
- 18 Hydr.-Plan Silomaster beidseitige Entl. mit Schneidmesser
- 19 Hydr.-Plan UKW 3500 einseitige Entl. mit Schneidmesser
- 20 Hydr.-Plan UKW 3500 beidseitige Entl. mit Schneidmesser
- 21 Hydr.-Plan Silomaster einseitige Entleerung mit Kamm
- 22 Hydr.-Plan Silomaster beidseitige Entleerung mit Kamm
- 23 Hydr.-Plan UKW 3500 einseitige Entleerung mit Kamm
- 24 Hydr.-Plan UKW 3500 beidseitige Entleerung mit Kamm

92123

Afbeelding 1 : Stickerpakket Silomaster / UKW 3500

Abbildung 1 : Aufkleber Silomaster / UKW 3500



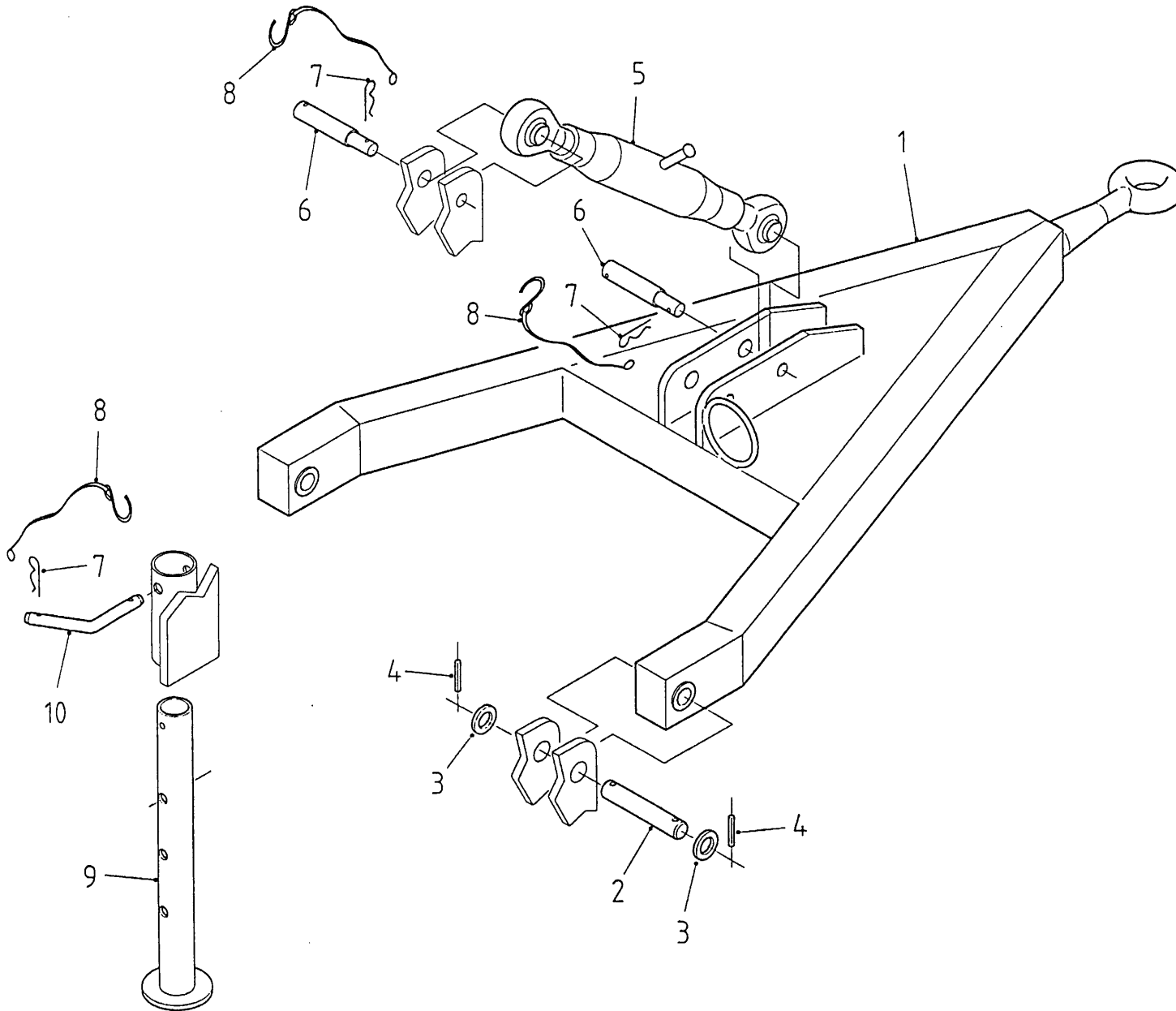
bestelnummer
 ordernummer
 Num. à commander
 Bestellnummer

| | | | |
|----|-------|---|--|
| 1 | 91247 | 3 | |
| 2 | 91185 | 1 | |
| 3 | 91160 | 1 | |
| 4 | 91159 | 1 | |
| 5 | 91262 | 1 | |
| 6 | 91259 | 2 | |
| 7 | 91260 | 1 | |
| 8 | 91183 | 4 | |
| 9 | 91152 | 2 | |
| 10 | 91182 | 2 | |
| 11 | 91164 | 2 | |
| 12 | 91172 | 2 | |
| 13 | 91153 | 1 | |
| 14 | 91163 | 1 | |
| 15 | 91189 | 1 | |

92123

Afbeelding 2 : Dissel UKW 3500

Abbildung 2 : Deichsel UKW 3500



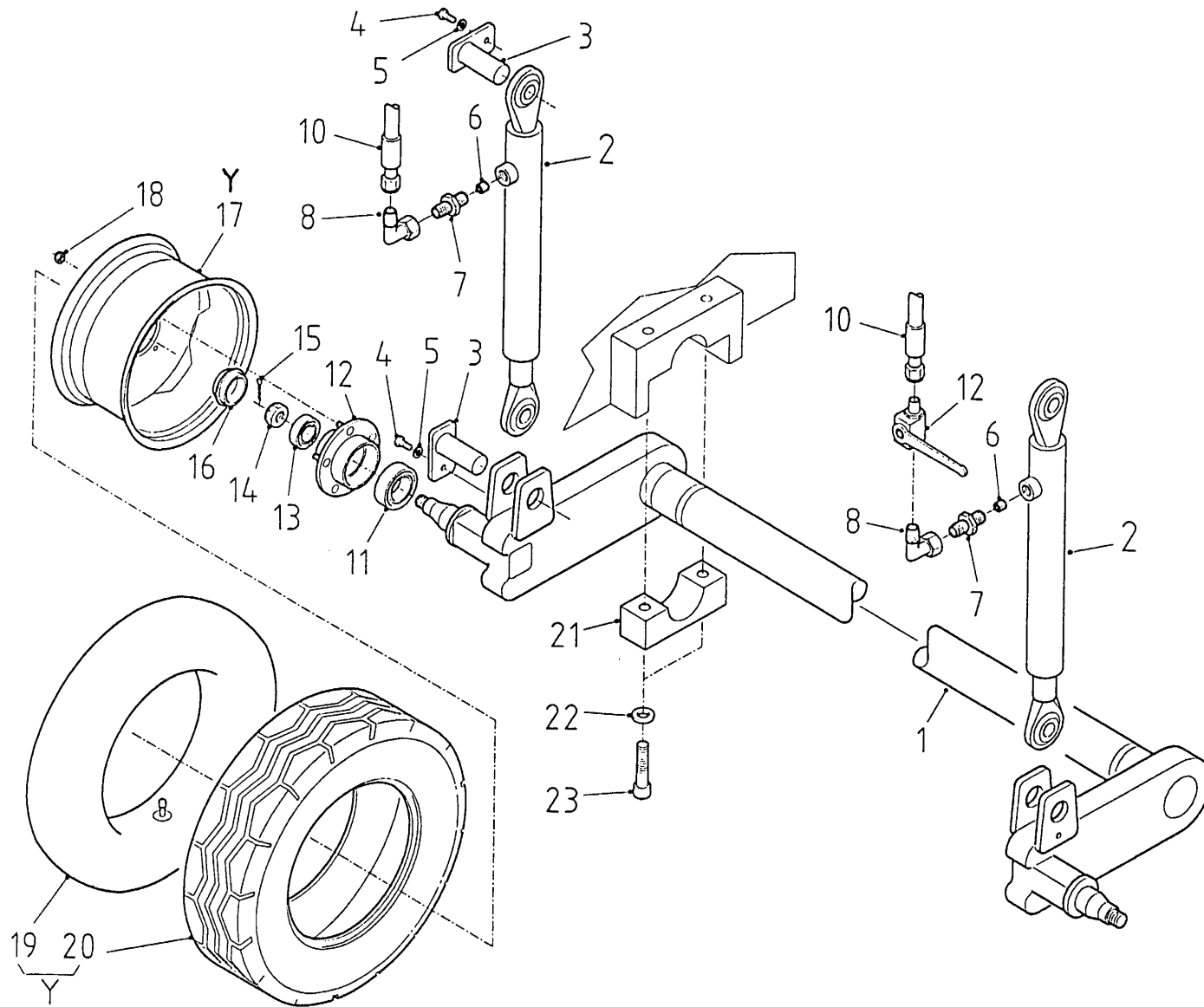
bestelnummer
ordernummer
Num. à commander
Bestellnummer

| | | | |
|----|-------|---|----------|
| 1 | 11925 | 1 | |
| 2 | 31742 | 2 | |
| 3 | 85124 | 4 | M24 |
| 4 | 88050 | 4 | Ø 8 x 50 |
| 5 | 90492 | 1 | |
| 6 | 30002 | 2 | |
| 7 | 65004 | 3 | |
| 8 | 90282 | 3 | |
| 9 | 11966 | 1 | |
| 10 | 31236 | 1 | |

92123

Afbeelding 3 : Wielstel UKW 3500

Abbildung 3 : Radachse UKW 3500

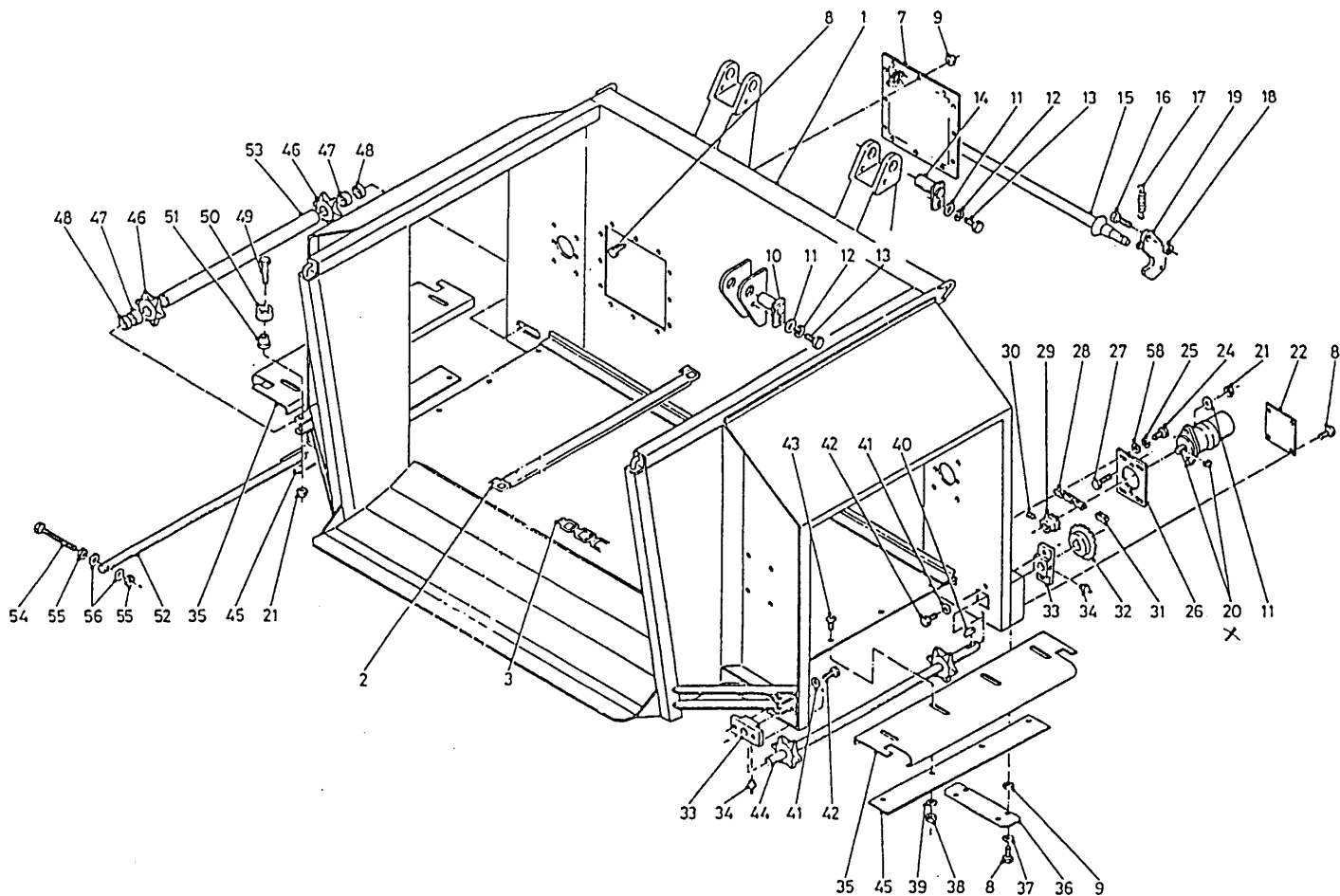


bestelnummer
ordernummer
Num. à commander
Bestellnummer

| | | | |
|----|--------|----|--------------|
| 1 | 11924 | 1 | |
| 2 | 51093 | 2 | |
| 3 | 11980 | 4 | |
| 4 | 81021 | 4 | M10 x 20 |
| 5 | 85010 | 4 | M10 |
| 6 | 53202 | 2 | Ø 1 mm |
| 7 | 50113 | 2 | |
| 8 | 50122 | 2 | |
| 9 | 51045 | 1 | |
| 10 | W50710 | 2 | 3/8" 2500 RR |
| 11 | 70056 | 2 | |
| 12 | 90558 | 2 | |
| 13 | 70138 | 2 | |
| 14 | 90555 | 2 | |
| 15 | 90224 | 2 | |
| 16 | 90557 | 2 | |
| 17 | 90463 | 2 | |
| 18 | 86927 | 10 | M16 x 1,5 |
| 19 | 90136 | 2 | |
| 20 | 90135 | 2 | |
| 21 | 31718 | 2 | |
| 22 | 85016 | 2 | M16 |
| 23 | 84459 | 2 | M16 x 70 |
| Y | 90494 | 2 | |

92123

Afbeelding 4 : Frame Silomaster / UKW 3500
 Abbildung 4 : Rahmen Silomaster / UKW 3500

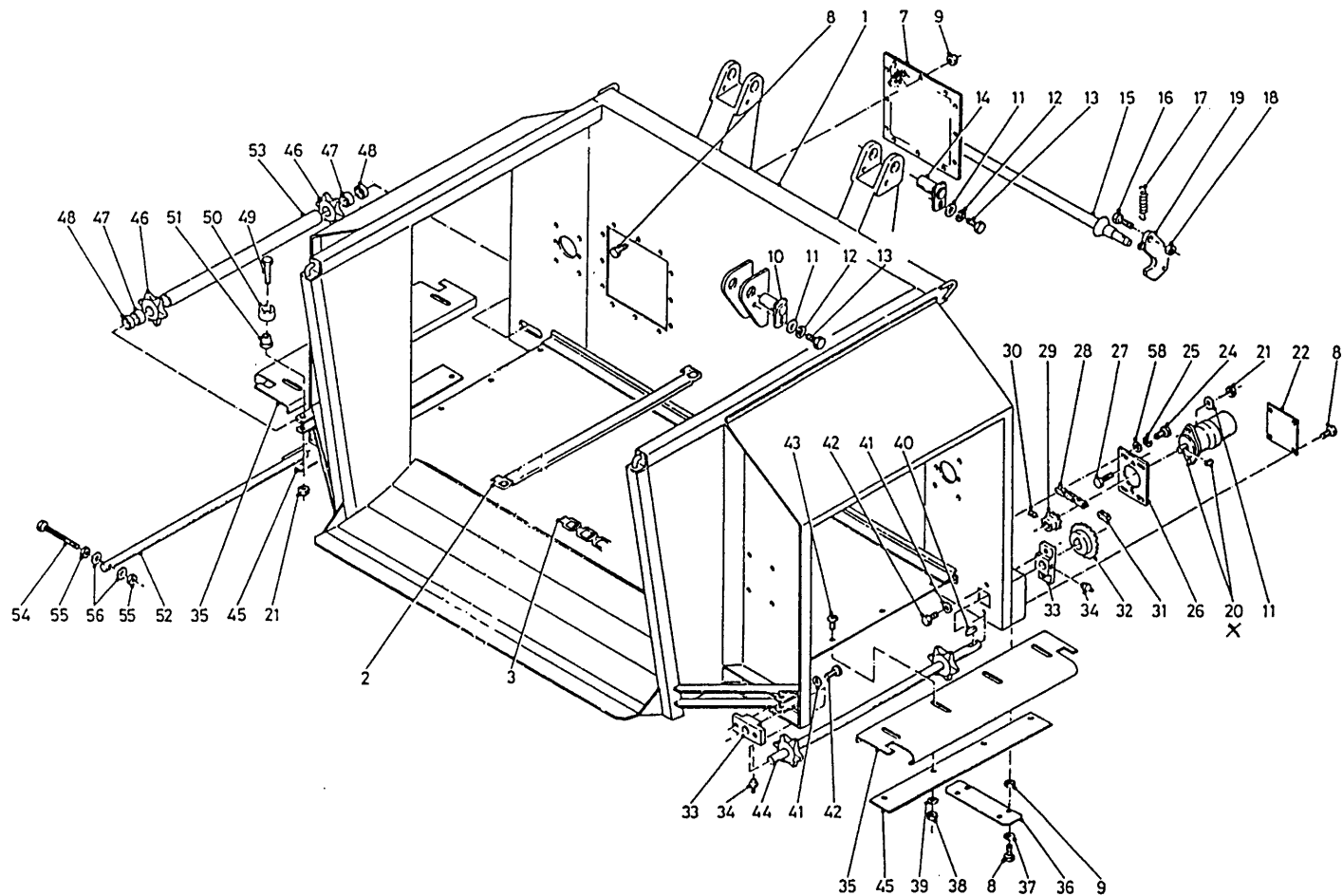


| bestelnummer | | ordernummer | | Num. à commander | | Bestellnummer | |
|--------------|-------|-------------|------------|------------------|--|---------------|--|
| 1A | 11992 | 1 | Silomaster | | | | |
| 1B | 11926 | 1 | UKW 3500 | | | | |
| 2 | 11930 | 8/9 | | | | | |
| 3 | 39010 | 142 | | | | | |
| 7 | 11935 | 1/2 | | | | | |
| 8 | 80816 | 30 | M8 x 16 | | | | |
| 9 | 86208 | 26 | M8 | | | | |
| 10 | 11936 | 1 | | | | | |
| 11 | 85112 | 13 | M12 | | | | |
| 12 | 85012 | 2 | | | | | |
| 13 | 81221 | 2 | | | | | |
| 14 | 11937 | 1 | | | | | |
| 15 | 10012 | 1 | | | | | |
| 16 | 81646 | 2 | M16 x 45 | | | | |
| 17 | 65005 | 2 | | | | | |
| 18 | 86216 | 2 | M16 | | | | |
| 19 | 12009 | 2 | | | | | |
| 20A | 51104 | 1 | White | | | | |
| 20B | 51003 | 1 | Danfoss | | | | |
| 20C | 51118 | 1 | Sam | | | | |
| 21 | 86212 | 3 | M12 | | | | |
| 22 | 25243 | 1 | | | | | |
| 24 | 81031 | 4 | M10 x 30 | | | | |
| 25 | 85010 | 4 | M10 | | | | |
| 26 | 25242 | 4 | | | | | |
| 27 | 81246 | 2 | M12 x 45 | | | | |
| 28 | 39166 | 1 | | | | | |
| 29 | 97113 | 1 | | | | | |
| 30 | 84118 | 1 | M6 x 6 | | | | |
| 31 | 39055 | 1 | | | | | |
| 32 | 97112 | 1 | | | | | |
| 33 | 60291 | 2 | | | | | |
| 34 | 89503 | 2 | | | | | |
| 35A | 25698 | 1 | RL | | | | |
| 35B | 25303 | 2 | DZ | | | | |
| 36 | 25244 | 1 | | | | | |

92123

Afbeelding 4 : Frame Silomaster / UKW 3500

Abbildung 4 : Rahmen Silomaster / UKW 3500



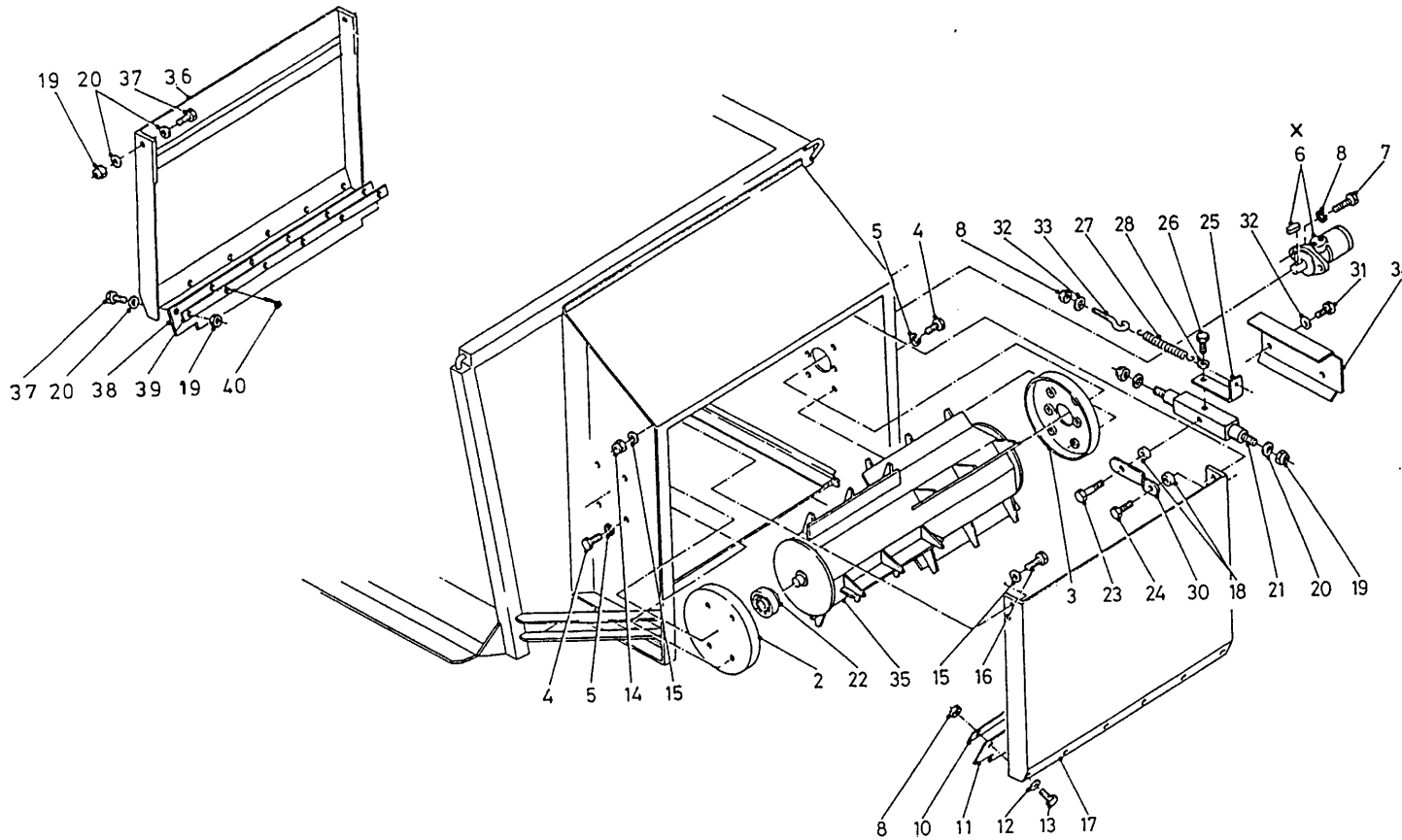
bestelnummer
ordernummer
Num. à commander
Bestellnummer

| | | | |
|-----|-------|---|-----------|
| 37 | 85108 | 2 | M8 |
| 38 | 86210 | 4 | M10 |
| 39 | 85113 | 4 | M10 |
| 40 | 88333 | 1 | |
| 41 | 85110 | 4 | M10 |
| 42 | 81026 | 4 | M10 |
| 43 | 84296 | 4 | |
| 44 | 11948 | 1 | |
| 45 | 25304 | 2 | |
| 46 | 97065 | 2 | |
| 47 | 85907 | 2 | |
| 48 | 60293 | 2 | |
| 49 | 81280 | 1 | M12 x 80 |
| 50 | 60164 | 1 | |
| 51 | 30774 | 1 | |
| 52 | 30777 | 1 | |
| 53 | 25302 | 1 | |
| 54A | 84023 | 2 | M16 x 220 |
| 54B | 81614 | 2 | M16 x 140 |
| 55 | 86116 | 4 | M16 |
| 56 | 85116 | 4 | M16 |
| 58 | 85129 | 4 | M10 |
| X | 05307 | 1 | White |
| X | 05354 | 1 | Danfoss |
| X | 05355 | 1 | Sam |

92123

Afbeelding 5 : Doseerwals rechts lossend Silomaster / UKW 3500

Abbildung 5 : Dosierwalze Rechter Entleerung Silomaster / UKW 3500



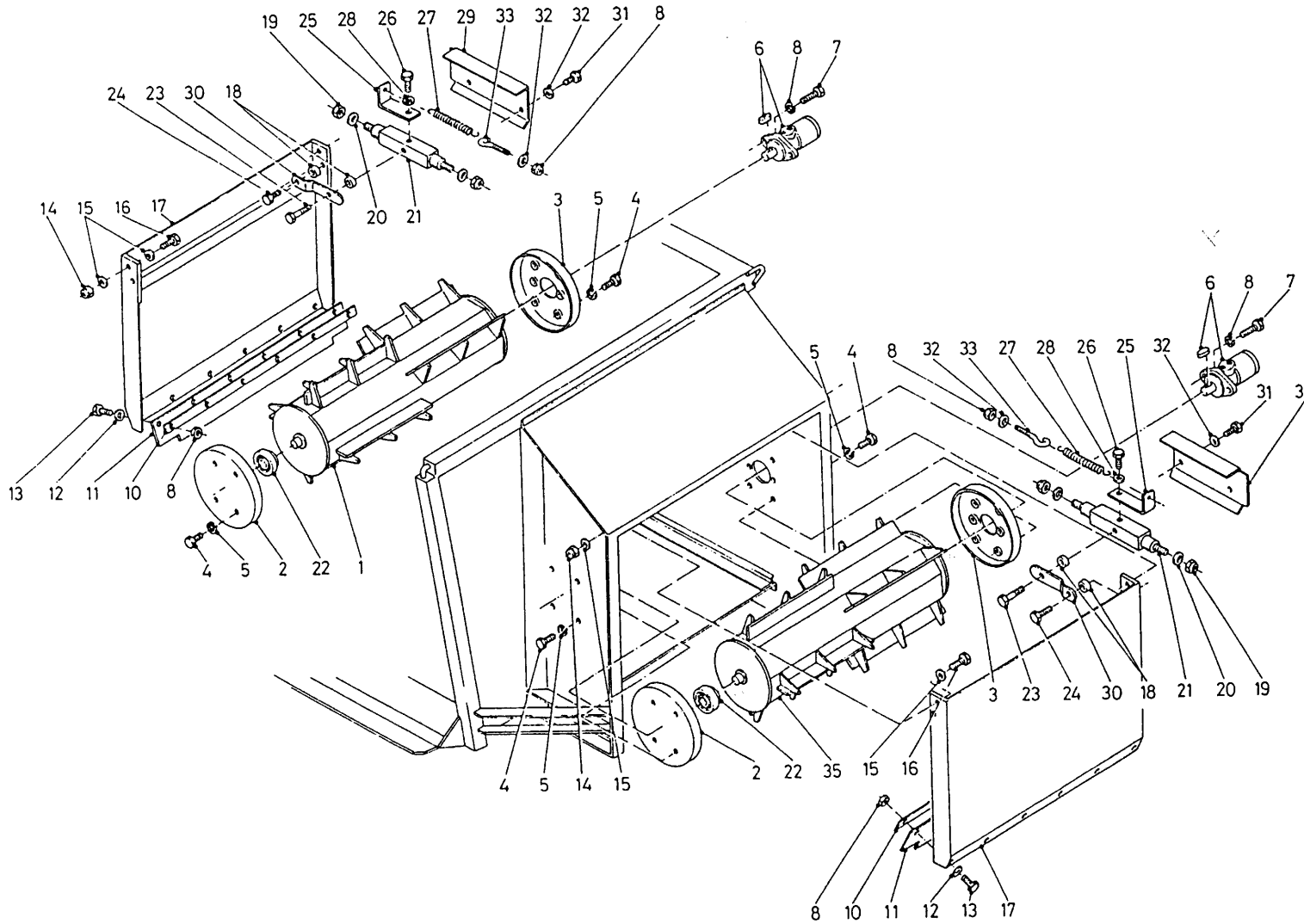
bestelnummer
 ordernummer
 Num. à commander
 Bestellnummer

| | | | |
|----|-------|----|----------|
| 2 | 11934 | 1 | |
| 3 | 11933 | 1 | |
| 4 | 81031 | 8 | M10 x 30 |
| 5 | 85010 | 8 | M10 |
| 6A | 51105 | 1 | White |
| 6B | 51001 | 1 | Danfoss |
| 6C | 51117 | 1 | Sam |
| 7 | 81246 | 2 | M12 x 45 |
| 8 | 85012 | 9 | M12 |
| 10 | 23175 | 2 | |
| 11 | 60220 | 1 | |
| 12 | 85108 | 6 | M8 |
| 13 | 80826 | 6 | M8 x 25 |
| 14 | 86210 | 2 | M10 |
| 15 | 85110 | 2 | M10 |
| 16 | 81040 | 2 | M10 x 40 |
| 17 | 11982 | 1 | |
| 18 | 31162 | 2 | |
| 19 | 86212 | 4 | M12 |
| 20 | 85112 | 4 | M12 |
| 21 | 51108 | 1 | |
| 22 | 70130 | 1 | |
| 23 | 81236 | 1 | M12 x 35 |
| 24 | 81226 | 1 | M12 x 25 |
| 25 | 25420 | 1 | |
| 26 | 81021 | 1 | M10 x 20 |
| 27 | 65076 | 1 | |
| 28 | 85010 | 1 | M10 |
| 30 | 25426 | 1 | |
| 31 | 84821 | 2 | M8 x 10 |
| 32 | 85108 | 3 | M8 |
| 33 | 83740 | 1 | |
| 34 | 25425 | 1 | |
| 35 | 11929 | 1 | |
| 36 | 12100 | 1 | |
| 37 | 81231 | 4 | M12 x 30 |
| 38 | 60151 | 1 | |
| 39 | 22055 | 1 | |
| 40 | 85208 | 10 | |
| X | 05356 | 1 | White |
| X | 05357 | 1 | Danfoss |
| X | 05358 | 1 | Sam |

92123

Afbeelding 6 : Doseerwals dubbelzijdig lossend Silomaster / UKW 3500

Abbildung 6 : Dosierwalze doppelseitige Entleerung Silomaster / UKW 3500

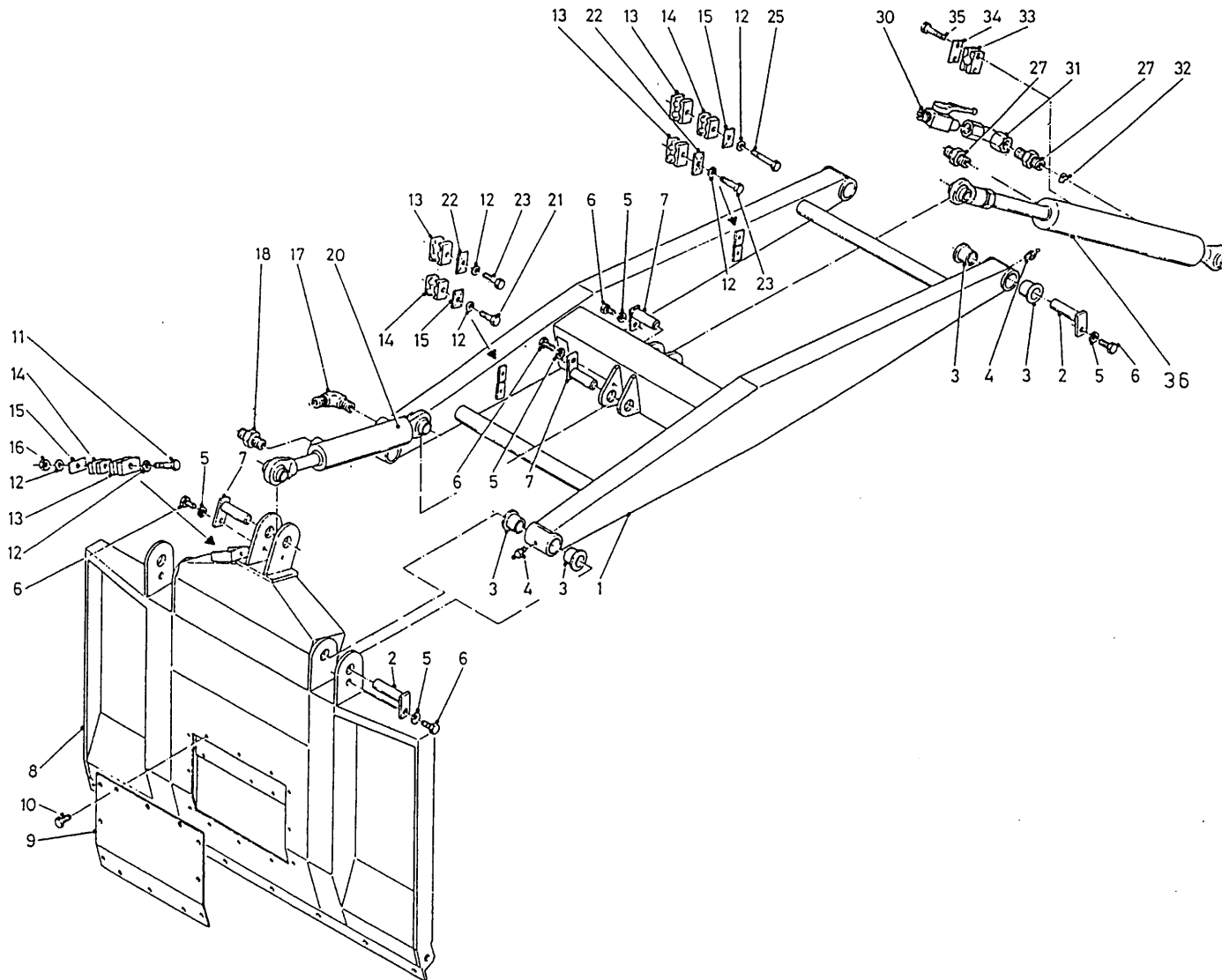


| bestelnummer | | ordernummer | |
|------------------|-------|---------------|----------|
| Num. à commander | | Bestellnummer | |
| 1 | 11928 | 1 | |
| 2 | 11934 | 2 | |
| 3 | 11933 | 2 | |
| 4 | 81031 | 16 | M10 x 30 |
| 5 | 85010 | 16 | M10 |
| 6A | 51105 | 2 | White |
| 6B | 51001 | 2 | Danfoss |
| 6C | 51117 | 2 | Sam |
| 7 | 81246 | 4 | M12 x 45 |
| 8 | 85012 | 18 | M12 |
| 10 | 23175 | 2 | |
| 11 | 60220 | 2 | |
| 12 | 85108 | 12 | M8 |
| 13 | 80826 | 12 | M8 x 25 |
| 14 | 86210 | 4 | M10 |
| 15 | 85110 | 4 | M10 |
| 16 | 81040 | 4 | M10 x 40 |
| 17 | 11982 | 2 | |
| 18 | 31162 | 4 | |
| 19 | 86212 | 4 | M12 |
| 20 | 85112 | 4 | M12 |
| 21 | 51108 | 2 | |
| 22 | 70130 | 2 | |
| 23 | 81236 | 2 | M12 x 35 |
| 24 | 81226 | 2 | M12 x 25 |
| 25 | 25420 | 2 | |
| 26 | 81021 | 2 | M10 x 20 |
| 27 | 65076 | 2 | |
| 28 | 85010 | 2 | M10 |
| 29 | 25421 | 1 | |
| 30 | 25426 | 2 | |
| 31 | 84821 | 4 | M8 x 10 |
| 32 | 85108 | 6 | M8 |
| 33 | 83740 | 2 | |
| 34 | 25425 | 1 | |
| 35 | 11929 | 1 | |
| X | 05356 | 1 | White |
| X | 05357 | 1 | Danfoss |
| X | 05358 | 1 | Sam |

92123

Afbeelding 7 : Laadframe + snijbord Silomaster / UKW 3500

Abbildung 7 : Ladeschwinge + Schneidplatte Silomaster / UKW 3500



bestelnummer
ordernummer
Num. à commander
Bestellnummer

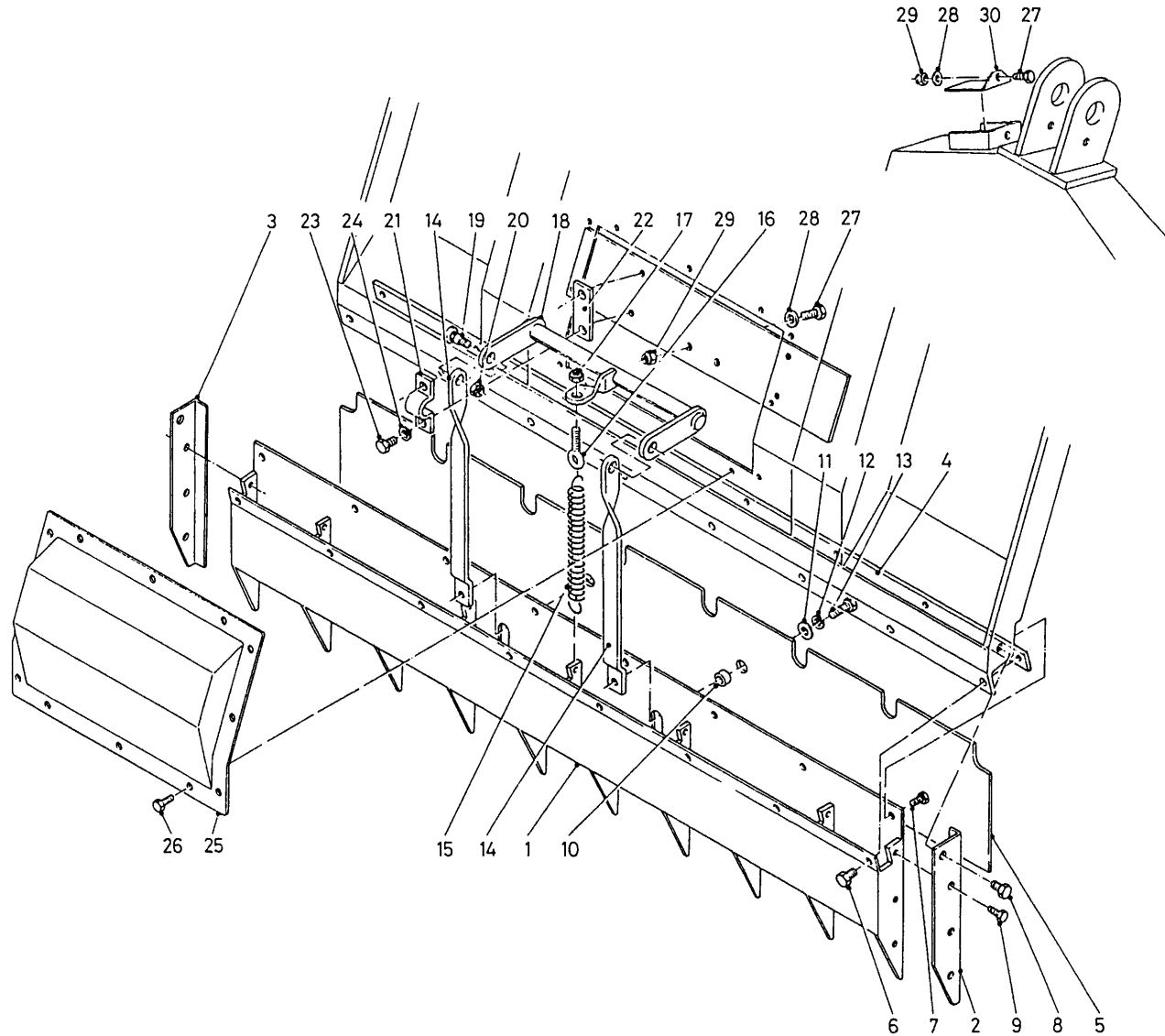
| | | | |
|-----|--------|----|------------|
| 1A | 12047 | 1 | Silomaster |
| 1B | 11921 | 1 | UKW 3500 |
| 2 | 11937 | 4 | |
| 3 | 51751 | 8 | |
| 4 | 89503 | 4 | |
| 5 | 85012 | 7 | M12 |
| 6 | 81221 | 7 | M12 x 20 |
| 7 | 11936 | 3 | |
| 8 | 11999 | 1 | |
| 9 | 25442 | 1 | |
| 10 | 84704 | 12 | M8 x 16 |
| 11 | 80890 | 1 | M8 x 90 |
| 12 | 85108 | 8 | M8 |
| 13 | 90533 | 4 | |
| 14 | 90159 | 3 | |
| 15 | 90161 | 3 | |
| 16 | 86208 | 1 | M8 |
| 17 | X50123 | 1 | |
| 18 | X50102 | 1 | |
| 20A | 51111 | 1 | Silomaster |
| 20B | 51103 | 1 | UKW 3500 |
| 21 | 80835 | 1 | M8 x 35 |
| 22 | 90543 | 2 | |
| 23 | 80845 | 2 | M8 x 45 |
| 25 | 80870 | 1 | M8 x 70 |
| 27 | X50113 | 2 | |
| 30 | 51045 | 1 | |
| 31 | 50122 | 1 | |
| 32 | 53274 | 1 | Ø 1,5 MM |
| 33 | 90160 | 1 | |
| 34 | 90162 | 1 | |
| 35 | 80641 | 1 | M6 X 40 |
| 36 | 51102 | 1 | |

92123

Afbeelding 8 : Krabbord Silomaster / UKW 3500

Abbildung 8 : Kam Silomaster / UKW 3500

bestelnummer
ordernummer
Num. à commander
Bestellnummer

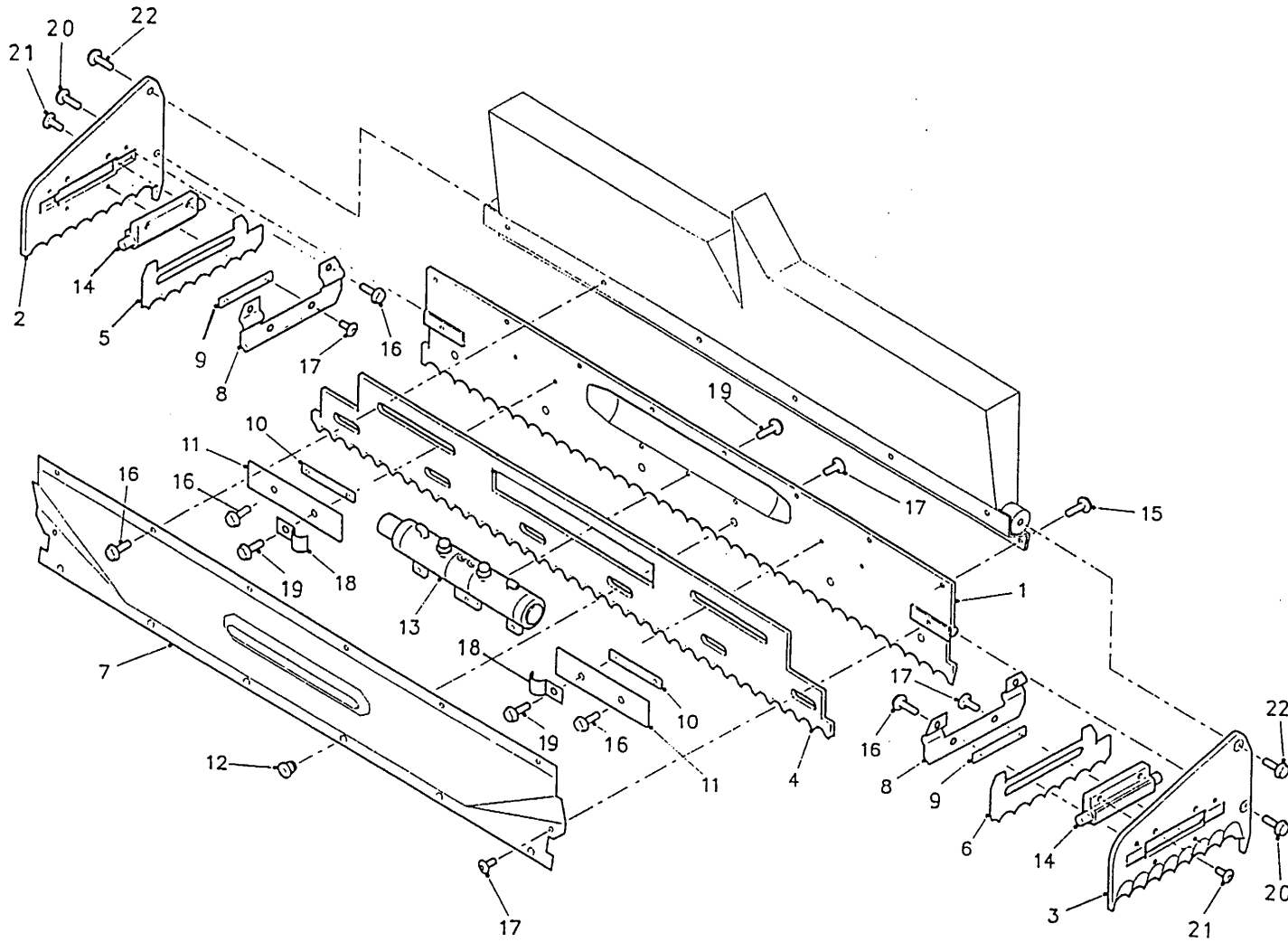


| | | | |
|----|-------|----|---------------|
| 1 | 12017 | 1 | |
| 2 | 25631 | 1 | |
| 3 | 25630 | 1 | |
| 4 | 25510 | 1 | |
| 5 | 25629 | 1 | |
| 6 | 83933 | 8 | M12 x 25 |
| 7 | 83916 | 8 | M10 x 16 |
| 8 | 83931 | 2 | M16 x 30 |
| 9 | 83923 | 6 | M12 x 20 |
| 10 | 31770 | 2 | |
| 11 | 85119 | 2 | M12 |
| 12 | 85012 | 2 | M12 |
| 13 | 81241 | 2 | M12 x 40 |
| 14 | 25464 | 2 | |
| 15 | 65021 | 1 | |
| 16 | 84174 | 1 | M10 x 80 x 14 |
| 17 | 86210 | 1 | M10 |
| 18 | 12016 | 1 | |
| 19 | 84923 | 2 | M16 x 40 |
| 20 | 86216 | 2 | M16 |
| 21 | 25514 | 2 | |
| 22 | 25513 | 2 | |
| 23 | 81051 | 4 | M10 x 50 |
| 24 | 85010 | 4 | M10 |
| 25 | 12050 | 1 | |
| 26 | 84704 | 12 | M8 x 16 |
| 27 | 80826 | 3 | M8 x 25 |
| 28 | 85108 | 3 | M8 |
| 29 | 86208 | 3 | M8 |
| 30 | 25648 | 1 | |

92123

Afbeelding 9 : Snijstelsel Silomaster / UKW 3500

Abbildung 9 : Schneidplatte Silomaster / UKW 3500



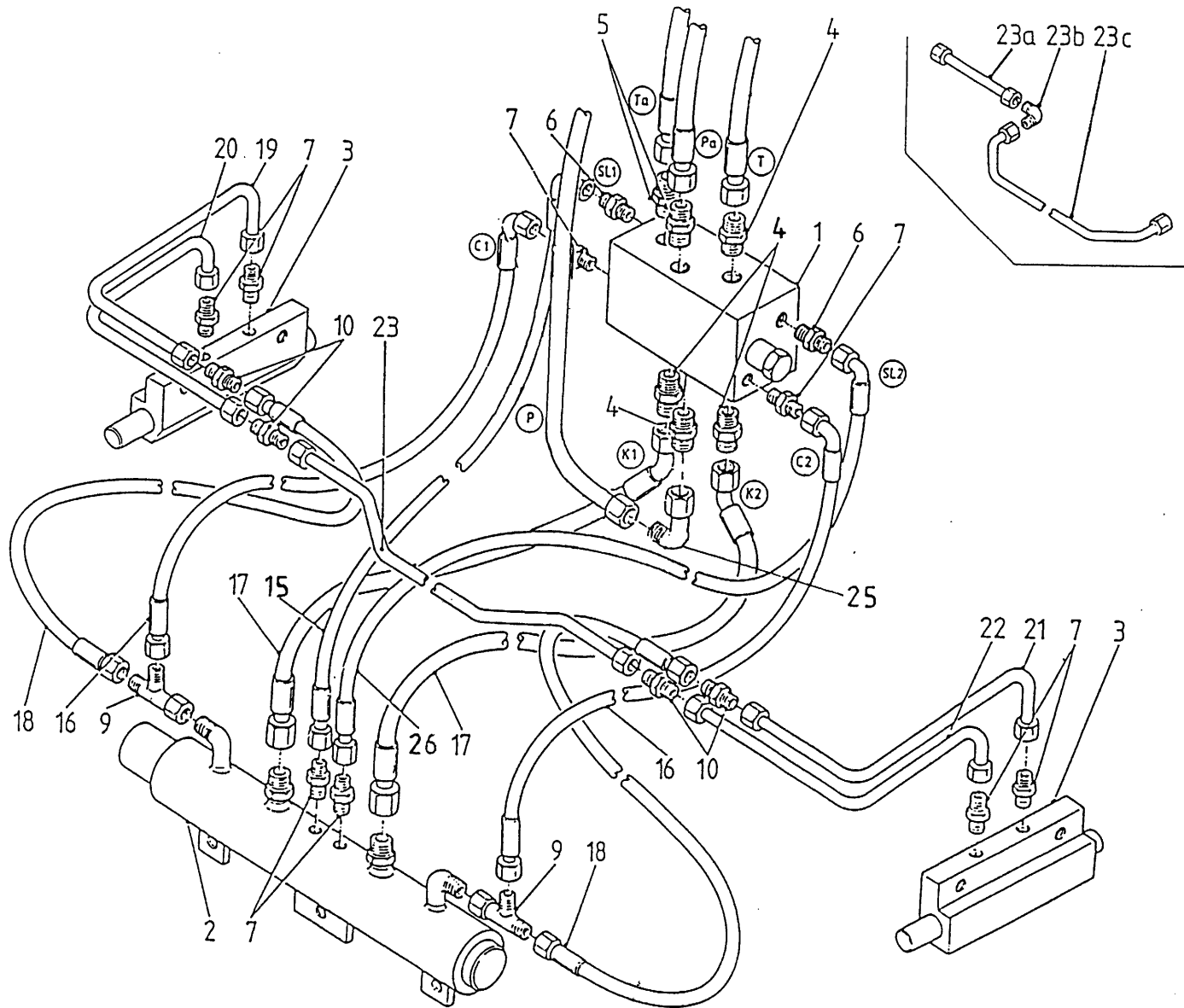
bestelnummer
ordernummer
Num. à commander
Bestellnummer

| | | | |
|----|-------|----|----------|
| 1 | 11508 | 1 | |
| 2 | 12019 | 1 | Rechts |
| 3 | 12018 | 1 | Links |
| 4 | 25655 | 1 | |
| 5 | 25653 | 1 | Rechts |
| 6 | 25652 | 1 | Links |
| 7 | 11596 | 1 | |
| 8 | 23853 | 2 | |
| 9 | 25657 | 2 | |
| 10 | 23854 | 2 | |
| 11 | 23848 | 2 | |
| 12 | 31327 | 8 | |
| 13 | 51119 | 1 | 18 mm |
| 14 | 51115 | 2 | |
| 15 | 83923 | 8 | M12 x 20 |
| 16 | 83916 | 14 | M10 x 16 |
| 17 | 84926 | 14 | M10 x 19 |
| 18 | 24153 | 2 | |
| 19 | 83920 | 5 | M10 x 20 |
| 20 | 83937 | 2 | M12 x 30 |
| 21 | 84921 | 4 | M10 x 25 |
| 22 | 83931 | 2 | M16 x 30 |

92123

Afbeelding 10 : Stuurblok uitwendig Silomaster / UKW 3500

Abbildung 10 : Steuerblock Außseite Silomaster / UKW 3500

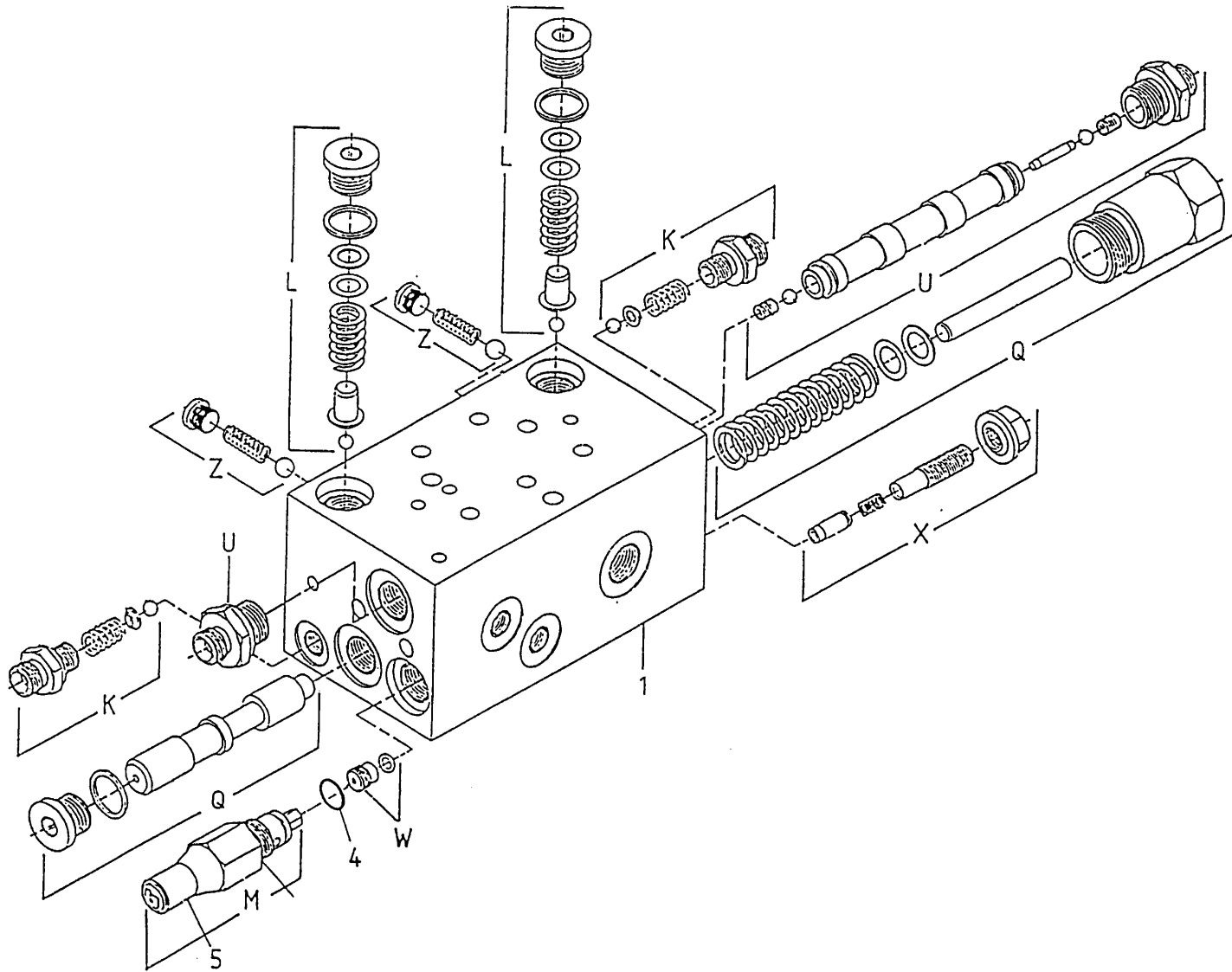


bestelnummer
 ordernummer
 Num. à commander
 Bestellnummer

| | | | |
|-----|--------|---|--------------|
| 1 | 53198 | 1 | |
| 2 | 51119 | 1 | |
| 3 | 51115 | 2 | |
| 4 | X50102 | 4 | |
| 5 | X50113 | 2 | |
| 6 | X50114 | 2 | |
| 7 | X50104 | 8 | |
| 9 | X50300 | 2 | |
| 10 | X50135 | 4 | |
| 15 | W50971 | 1 | ¼" 400 H 20° |
| 16 | W50895 | 2 | ¼" 300 RH |
| 17 | W50970 | 2 | ½" 290 R45° |
| 18 | W50896 | 2 | ¼" 460 RR |
| 19 | 50944 | 1 | |
| 20 | 50943 | 1 | |
| 21 | 50946 | 1 | |
| 22 | 50945 | 1 | |
| 23 | 50890 | 1 | |
| 23A | 50892 | 1 | |
| 23B | 50424 | 1 | |
| 23C | 50891 | 1 | |
| 25 | X50143 | 1 | |
| 26 | W50972 | 1 | ¼" 400 H 20° |

92123

Afbeelding 11 : Stuurblok inwendig Silomaster / UKW 3500
 Abbildung 11 : Steuerblock Innenseite Silomaster / UKW 3500



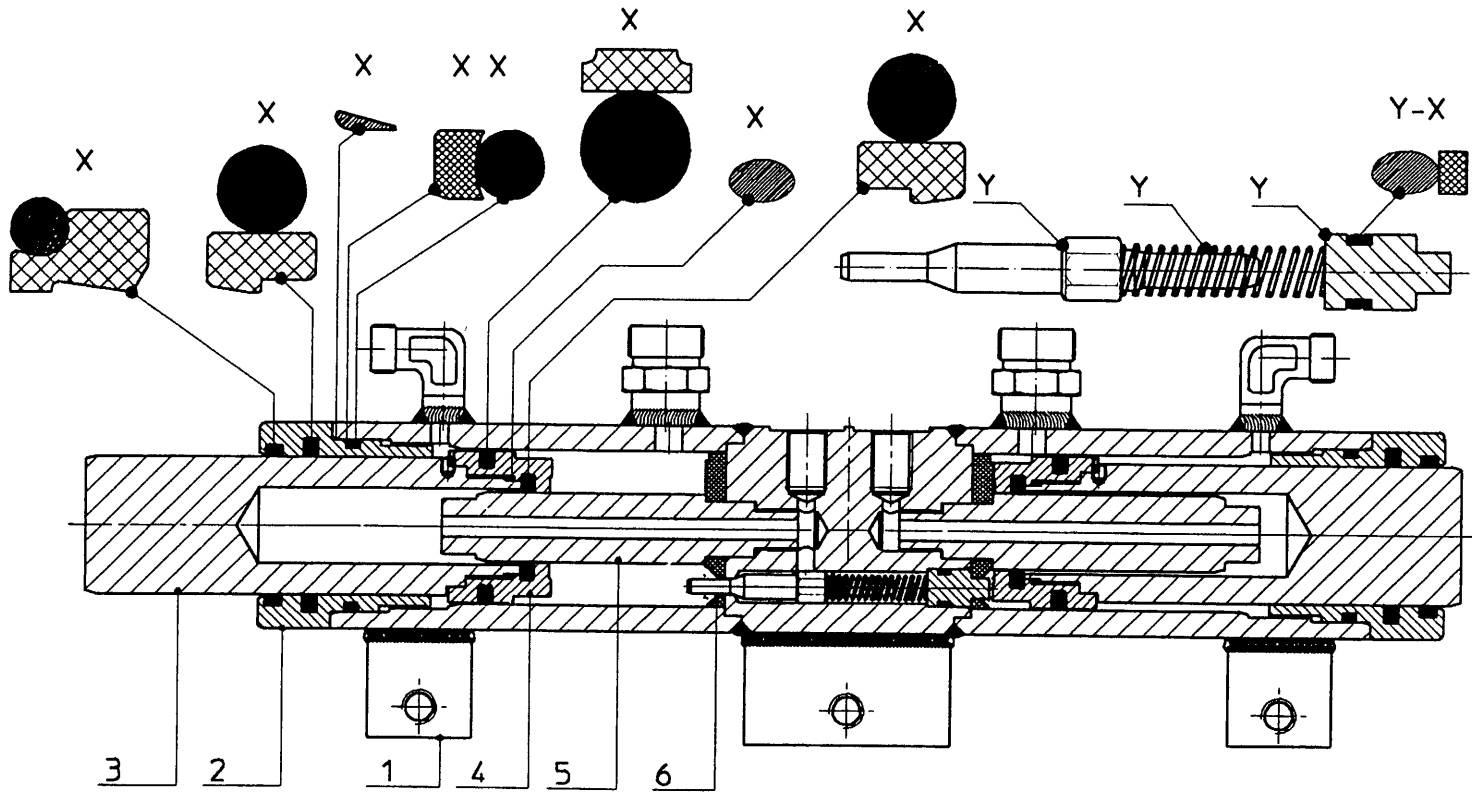
bestelnummer
 ordernummer
 Num. à commander
 Bestellnummer

| | | | |
|---|-------|---|----------|
| 1 | 53198 | 1 | |
| 4 | 78053 | 1 | 12 X 1,5 |
| 5 | 60260 | 1 | |
| K | 05049 | 2 | 10 bar |
| L | 05264 | 2 | 200 bar |
| M | 05265 | 1 | 230 bar |
| U | 53150 | 1 | |
| W | 53257 | 1 | |
| Z | 05052 | 2 | |

93123

Afbeelding 12 : Achter- en zijmescilinder Silomaster / UKW 3500

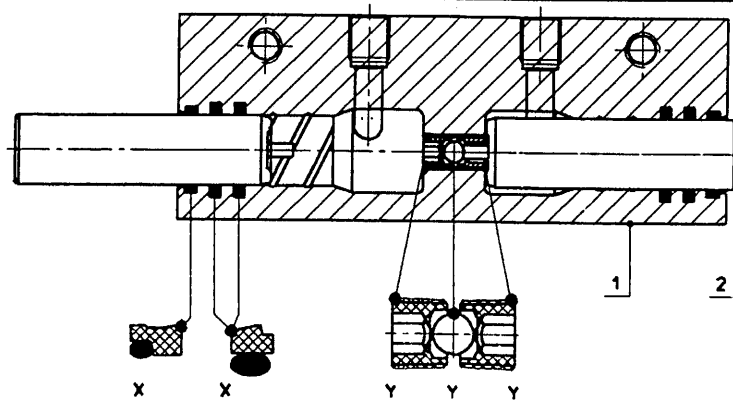
Abbildung 12 : Heck- und Seitenzylinder Silomaster / UKW 3500



bestelnummer
 ordernummer
 Num. à commander
 Bestellnummer

51119

| | | | |
|---|-------|---|--------|
| 1 | 12106 | 1 | |
| 2 | 31421 | 2 | |
| 3 | 31455 | 2 | 1 ring |
| 4 | 31453 | 2 | |
| 5 | 31454 | 2 | 18 mm |
| 6 | 31428 | 2 | |
| X | 05306 | 1 | |
| Y | 05297 | 1 | |



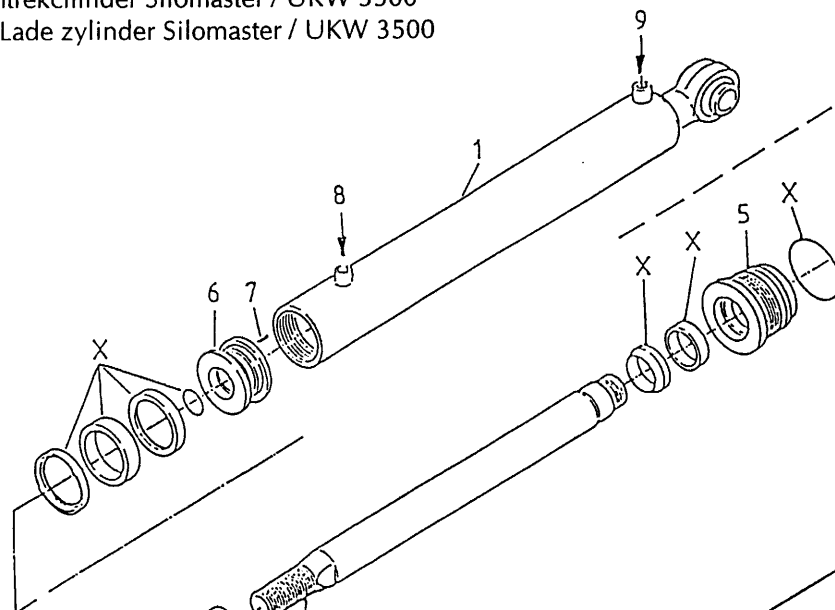
51115

| | | | |
|---|-------|---|--|
| 1 | 31772 | 1 | |
| 2 | 31436 | 2 | |
| X | 05294 | 1 | |
| Y | 05298 | 1 | |

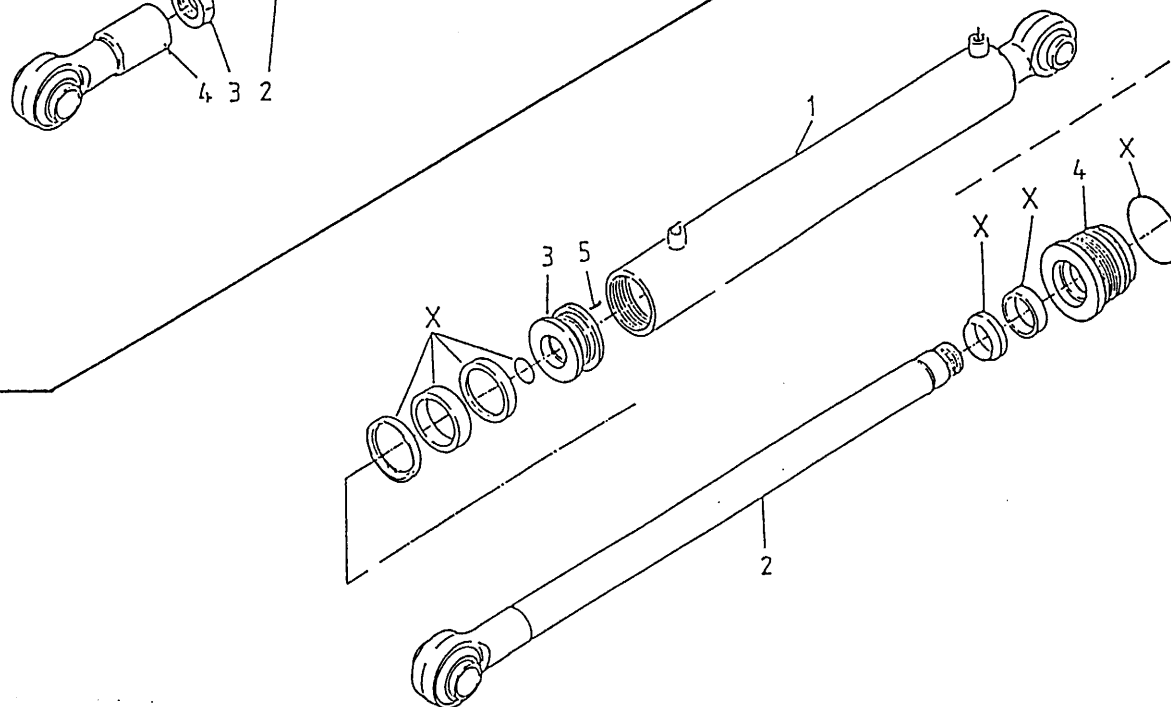
93123

Afbeelding 13 : Aanzet-/intrekcilinder Silomaster / UKW 3500

Abbildung 13 : Vorschub/Lade zylinder Silomaster / UKW 3500



51102



51103
51111

bestelnummer
ordernummer
Num. à commander
Bestellnummer

51102

| | | | |
|---|-------|---|----------|
| 1 | 11989 | 1 | |
| 2 | 31740 | 1 | |
| 3 | 86140 | 1 | |
| 4 | 11671 | 1 | |
| 5 | 31741 | 1 | |
| 6 | 31446 | 1 | |
| 7 | 84119 | 1 | M6 x 10 |
| 8 | 53274 | 1 | Ø 1,5 mm |
| 9 | 53202 | 1 | Ø 1 mm |
| X | 05350 | 1 | |

51103 UKW 3500

| | | | |
|---|-------|---|---------|
| 1 | 11987 | 1 | |
| 2 | 11988 | 1 | |
| 3 | 30856 | 1 | |
| 4 | 30855 | 1 | |
| 5 | 84119 | 1 | M6 x 10 |
| X | 05200 | 1 | |

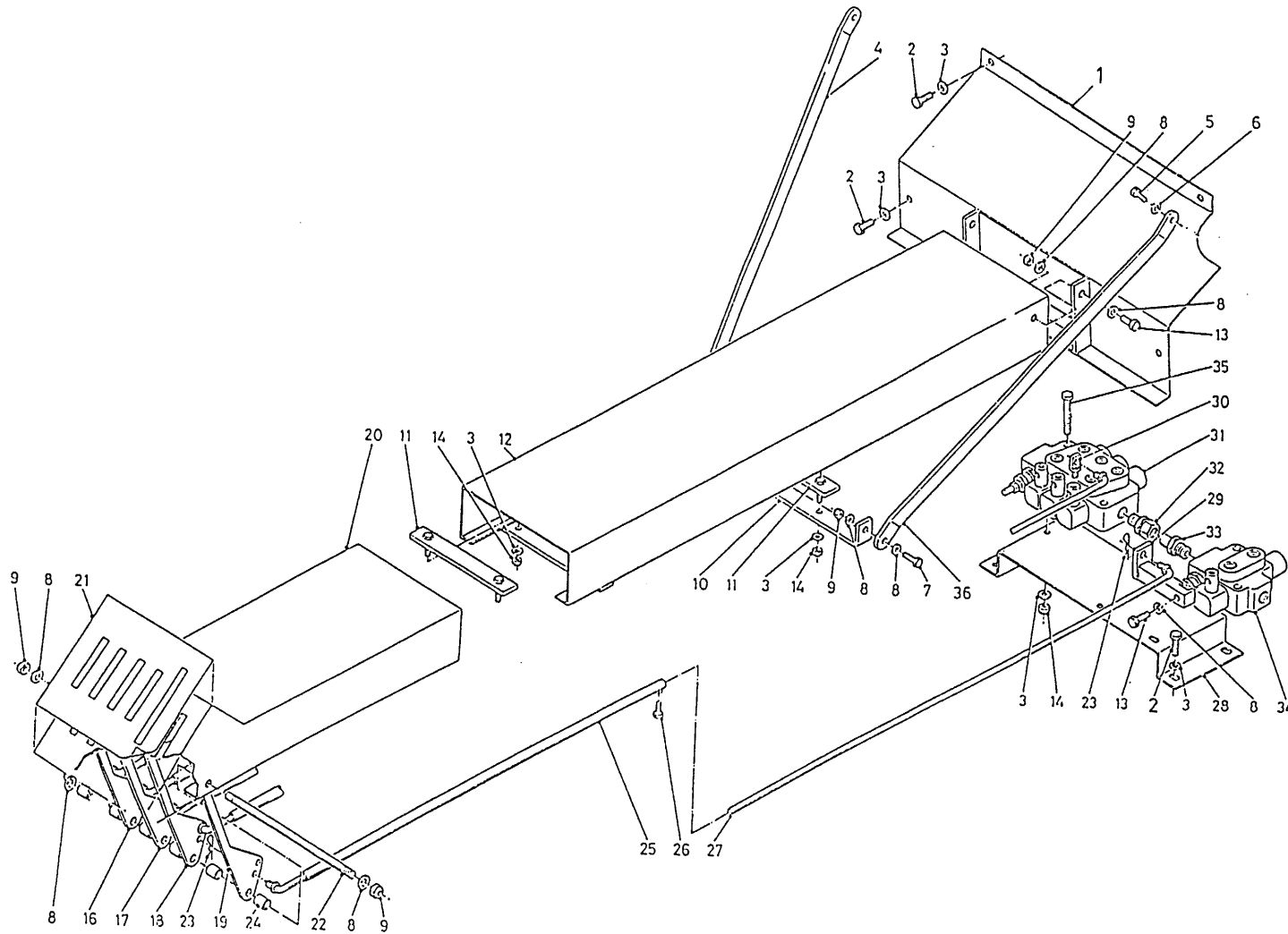
51111 Silomaster

| | | | |
|---|-------|---|---------|
| 1 | 11991 | 1 | |
| 2 | 11990 | 1 | |
| 3 | 30856 | 1 | |
| 4 | 30855 | 1 | |
| 5 | 84119 | 1 | M6 x 10 |
| X | 05200 | 1 | |

92123

Afbeelding 14A : Handbediening Silomaster

Abbildung 14A : Handbedienung Silomaster



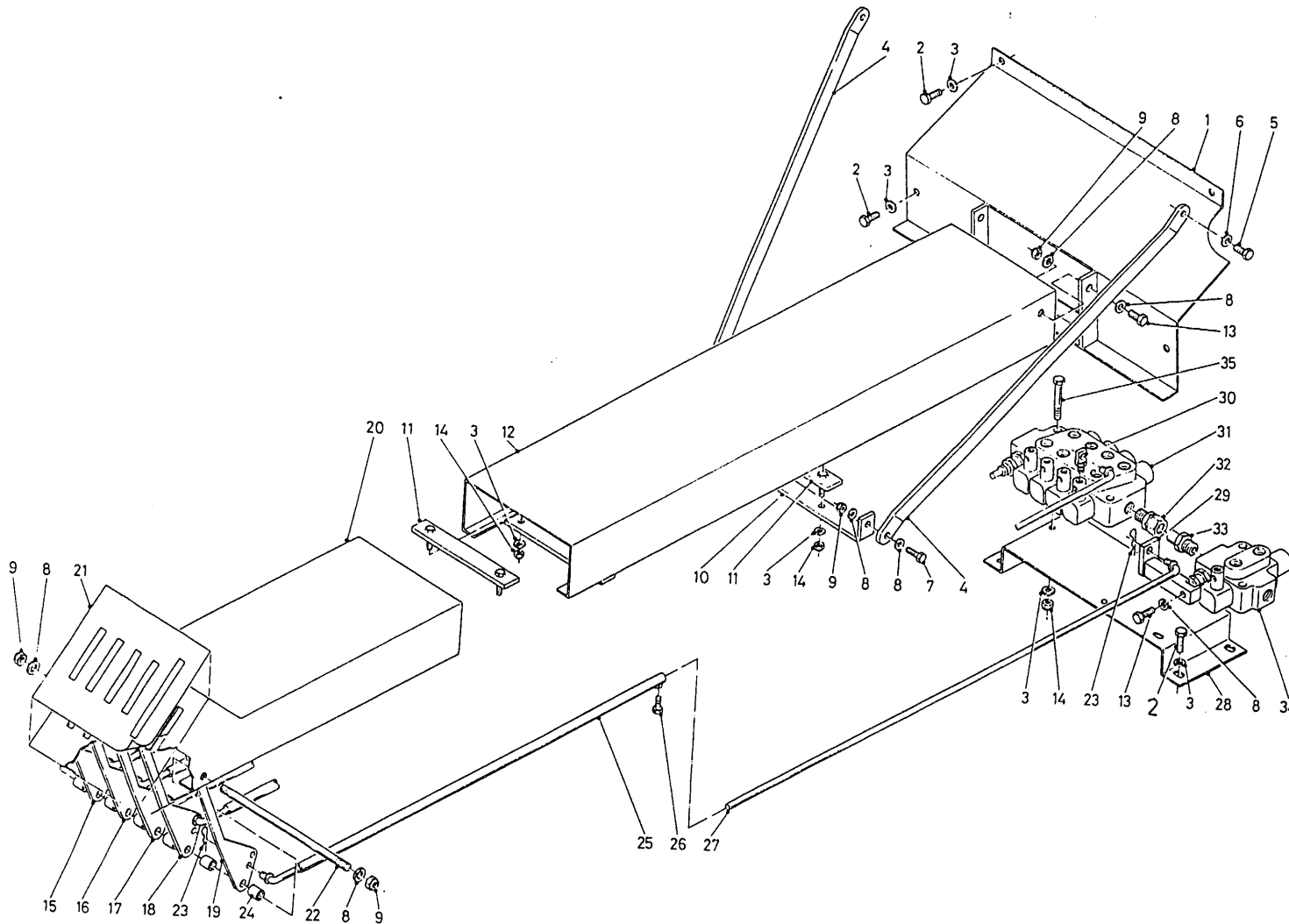
bestelnummer
 ordernummer
 Num. à commander
 Bestellnummer

| | | | |
|-----|-------|----|----------|
| 1 | 12090 | 1 | |
| 2 | 80826 | 8 | M8 x 25 |
| 3 | 85108 | 16 | M8 |
| 4 | 25791 | 1 | |
| 5 | 81226 | 2 | M12 x 25 |
| 6 | 85112 | 2 | M12 |
| 7 | 81036 | 2 | M10 x 35 |
| 8 | 85110 | 15 | M10 |
| 9 | 86210 | 6 | M10 |
| 10 | 25553 | 1 | |
| 11 | 12023 | 1 | |
| 12 | 12086 | 1 | |
| 13 | 81026 | 3 | M10 x 25 |
| 14 | 86208 | 8 | M8 |
| 16 | 25567 | 1 | |
| 17 | 25568 | 1 | |
| 18 | 25569 | 1 | |
| 19 | 25570 | 1 | |
| 20 | 12085 | 1 | |
| 21 | 91246 | 1 | |
| 22 | 31755 | 1 | |
| 23 | 65079 | 8 | |
| 24 | 25562 | 6 | |
| 25 | 12083 | 4 | |
| 26 | 80616 | 4 | M6 x 16 |
| 27 | 12084 | 4 | |
| 28 | 25372 | 1 | |
| 29 | 12002 | 1 | |
| 30 | 12025 | 3 | |
| 31 | 53261 | 1 | |
| 32 | 50102 | 1 | |
| 33 | 50132 | 1 | |
| 34A | 53259 | 1 | RL/LL |
| 34B | 53258 | 1 | DZ |
| 35 | 84401 | 4 | M8 x 40 |
| 36 | 25746 | 1 | |

92123

Afbeelding 14B : Handbediening UKW 3500

Abbildung 14B : Handbedienung UKW 3500

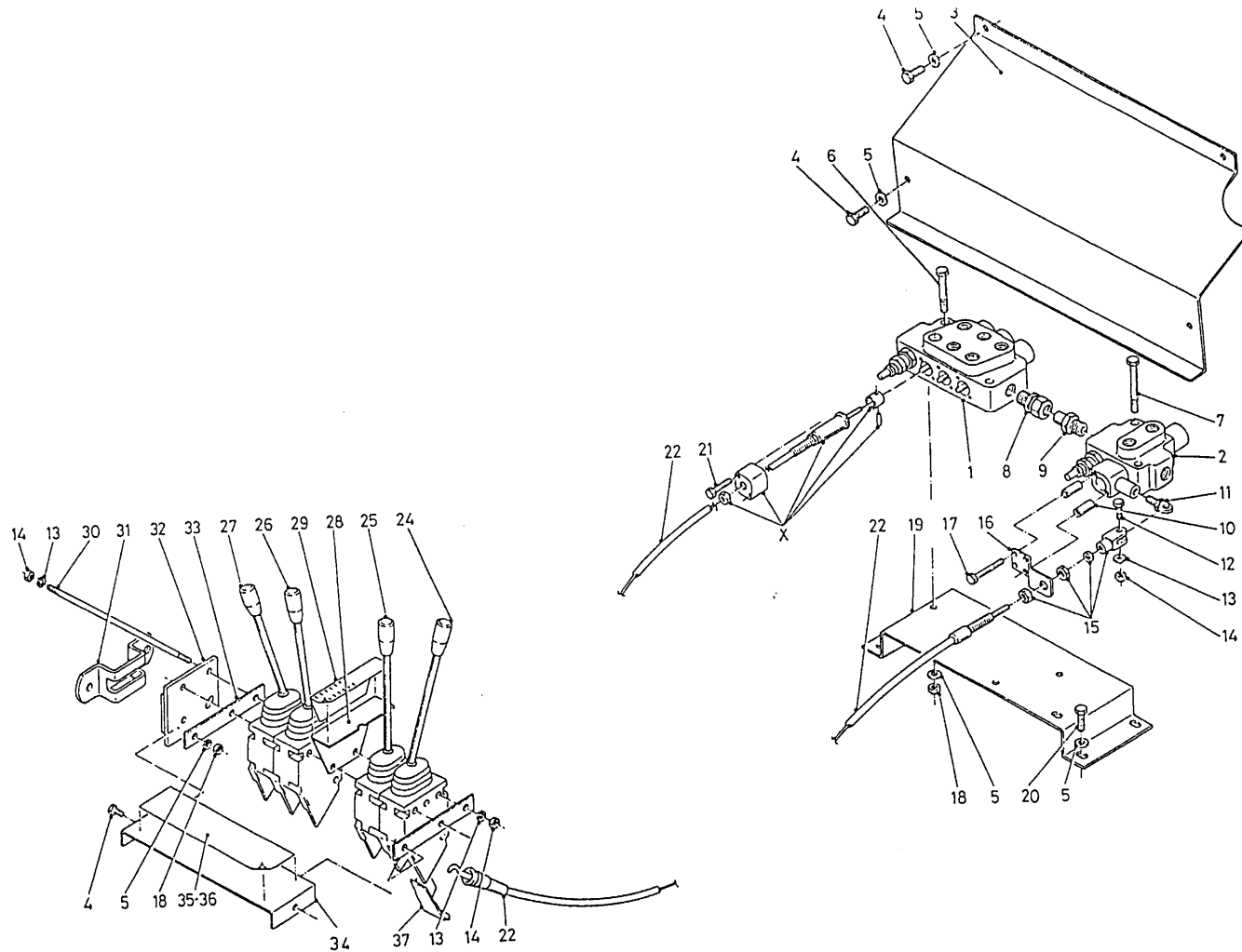


| bestelnummer | | | |
|------------------|-------|----|----------|
| ordernummer | | | |
| Num. à commander | | | |
| Bestellnummer | | | |
| 1 | 12022 | 1 | |
| 2 | 80826 | 8 | M8 x 25 |
| 3 | 85108 | 16 | M8 |
| 4 | 25554 | 2 | |
| 5 | 81226 | 2 | M12 x 25 |
| 6 | 85112 | 2 | M12 |
| 7 | 81036 | 2 | M10 x 35 |
| 8 | 85110 | 11 | M10 |
| 9 | 86210 | 6 | M10 |
| 10 | 25553 | 1 | |
| 11 | 12023 | 2 | |
| 12 | 12000 | 1 | |
| 13 | 81026 | 3 | M10 x 25 |
| 14 | 86208 | 8 | M8 |
| 15 | 25567 | 1 | |
| 16 | 25568 | 1 | |
| 17 | 25569 | 1 | |
| 18 | 25570 | 1 | |
| 19 | 25571 | 1 | |
| 20 | 12001 | 1 | |
| 21 | 91246 | 1 | |
| 22 | 31755 | 1 | |
| 23 | 65079 | 10 | |
| 24 | 25562 | 6 | |
| 25 | 12004 | 5 | |
| 26 | 80616 | 5 | M6 x 16 |
| 27 | 12003 | 5 | |
| 28 | 25372 | 1 | |
| 29 | 12002 | 1 | |
| 30 | 12025 | 4 | |
| 31 | 53253 | 1 | |
| 32 | 50102 | 1 | |
| 33 | 50132 | 1 | |
| 34 | 53258 | 1 | |
| 35 | 84401 | 4 | M8 x 40 |

92123

Afbeelding 15A : Mechanische afstandsbediening Silomaster

Abbildung 15A : Mechanische Fernbedienung Silomaster



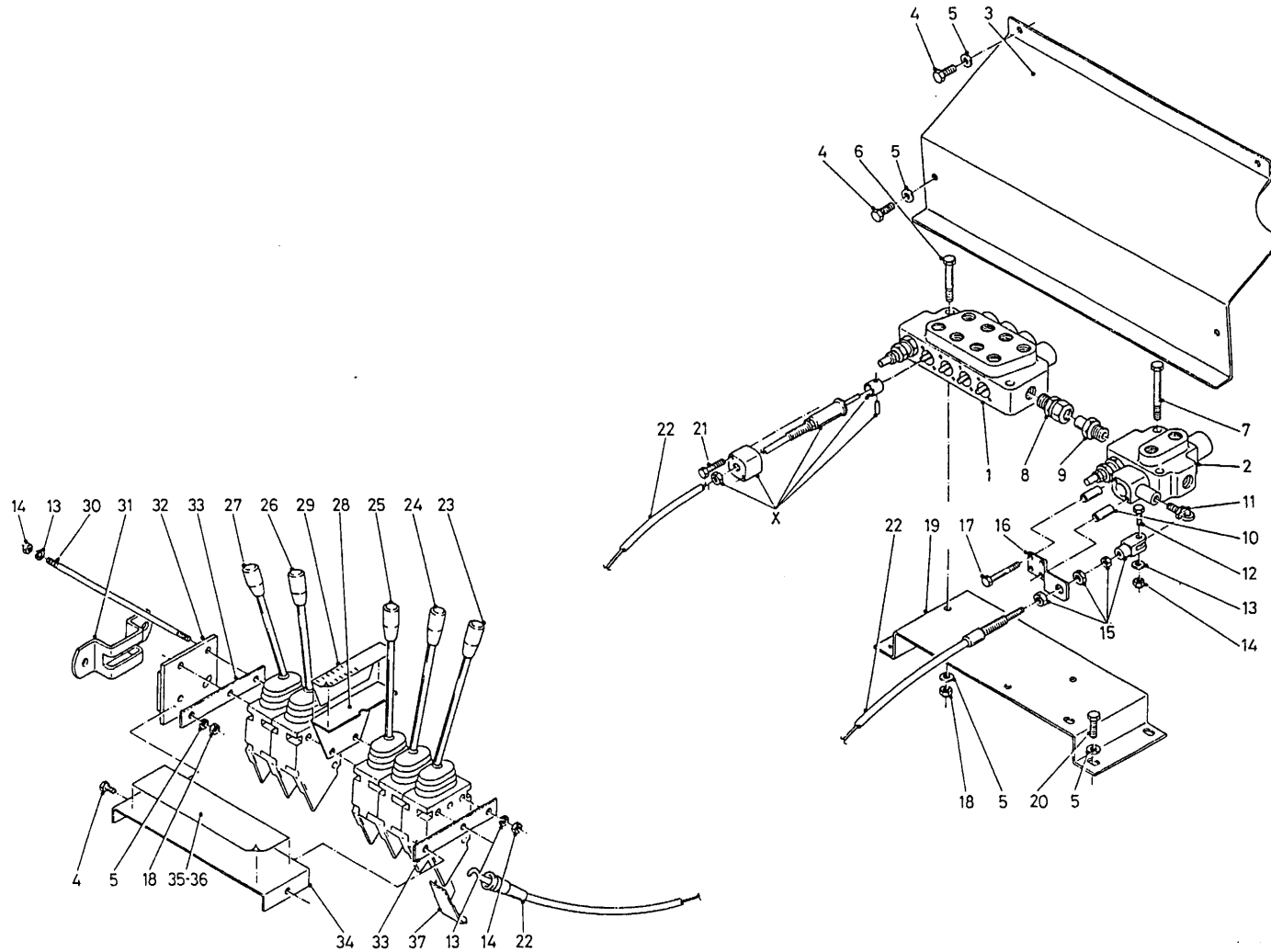
bestelnummer
 ordernummer
 Num. à commander
 Bestellnummer

| | | | |
|----|-------|----|---------|
| 1 | 53261 | 1 | |
| 2A | 53258 | 1 | RL/LL |
| 2B | 53259 | 1 | DZ |
| 3 | 25646 | 1 | |
| 4 | 80816 | 6 | M8 x 16 |
| 5 | 85108 | 14 | M8 |
| 6 | 84401 | 2 | M8 x 40 |
| 7 | 84427 | 2 | M8 x 55 |
| 8 | 50102 | 1 | |
| 9 | 50132 | 1 | |
| 10 | 50936 | 2 | |
| 11 | 11894 | 1 | |
| 12 | 80620 | 1 | M6 x 20 |
| 13 | 85106 | 7 | M6 |
| 14 | 86206 | 7 | M6 |
| 15 | 31683 | 1 | |
| 16 | 25036 | 1 | |
| 17 | 80680 | 2 | M6 x 80 |
| 18 | 86208 | 6 | M8 |
| 19 | 25372 | 1 | |
| 20 | 80826 | 4 | M8 x 25 |
| 21 | 84480 | 6 | M6 x 45 |
| 22 | 79059 | 4 | |
| 24 | 53127 | 1 | |
| 25 | 53099 | 1 | |
| 26 | 53129 | 1 | |
| 27 | 53130 | 1 | |
| 28 | 25044 | 1 | |
| 29 | 91268 | 1 | |
| 30 | 84043 | 3 | |
| 31 | 20199 | 1 | |
| 32 | 11139 | 1 | |
| 33 | 22249 | 2 | |
| 34 | 23168 | 1 | |
| 35 | 91266 | 1 | |
| 36 | 91267 | 1 | |
| 37 | 60120 | 4 | |
| X | 53231 | 3 | |

92123

Afbeelding 15B : Mechanische afstandsbediening UKW 3500

Abbildung 15B : Mechanische Fernbedienung UKW 3500



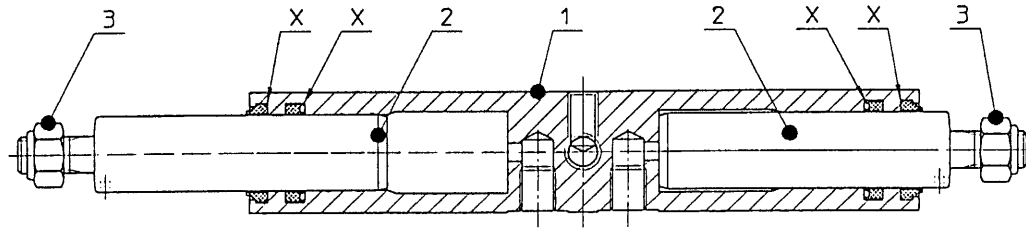
bestelnummer
 ordernummer
 Num. à commander
 Bestellnummer

| | | | |
|----|-------|----|---------|
| 1 | 53253 | 1 | |
| 2 | 53258 | 1 | |
| 3 | 25646 | 1 | |
| 4 | 80816 | 6 | M8 x 16 |
| 5 | 85108 | 14 | M8 |
| 6 | 84401 | 2 | M8 x 40 |
| 7 | 84427 | 2 | M8 x 55 |
| 8 | 50102 | 1 | |
| 9 | 50132 | 1 | |
| 10 | 50936 | 2 | |
| 11 | 11894 | 1 | |
| 12 | 80620 | 1 | M6 x 20 |
| 13 | 85106 | 7 | M6 |
| 14 | 86206 | 7 | M6 |
| 15 | 31683 | 1 | |
| 16 | 25036 | 1 | |
| 17 | 80680 | 2 | M6 x 80 |
| 18 | 86208 | 6 | M8 |
| 19 | 25372 | 1 | |
| 20 | 80826 | 4 | M8 x 25 |
| 21 | 84480 | 8 | M6 x 45 |
| 22 | 79059 | 5 | |
| 23 | 53128 | 1 | |
| 24 | 53127 | 1 | |
| 25 | 53099 | 1 | |
| 26 | 53129 | 1 | |
| 27 | 53130 | 1 | |
| 28 | 25044 | 1 | |
| 29 | 91268 | 1 | |
| 30 | 84045 | 3 | |
| 31 | 20199 | 1 | |
| 32 | 11139 | 1 | |
| 33 | 22244 | 2 | |
| 34 | 22245 | 1 | |
| 35 | 91265 | 1 | |
| 36 | 91264 | 1 | |
| 37 | 60120 | 5 | |
| X | 53231 | 4 | |

93123

Afbeelding 16 : Klepcilinder en wielarmcilinder
 Abbildung 16 : Klappezylinder und Radarmzylinder

51108

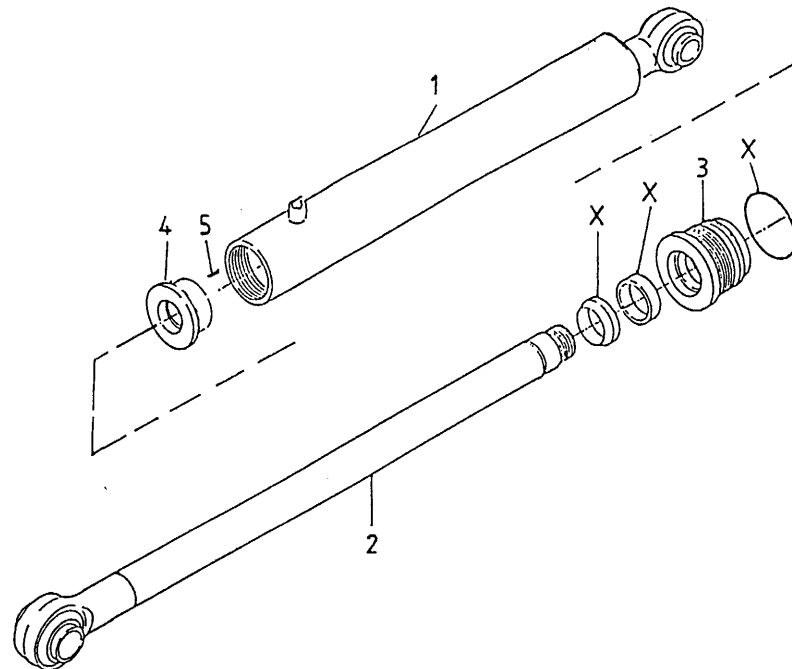


bestelnummer
 ordernummer
 Num. à commander
 Bestellnummer

51108

| | | | |
|---|-------|---|-----|
| 1 | 31734 | 1 | M12 |
| 2 | 31736 | 2 | |
| 3 | 86212 | 2 | |
| X | 05349 | 1 | |

51093

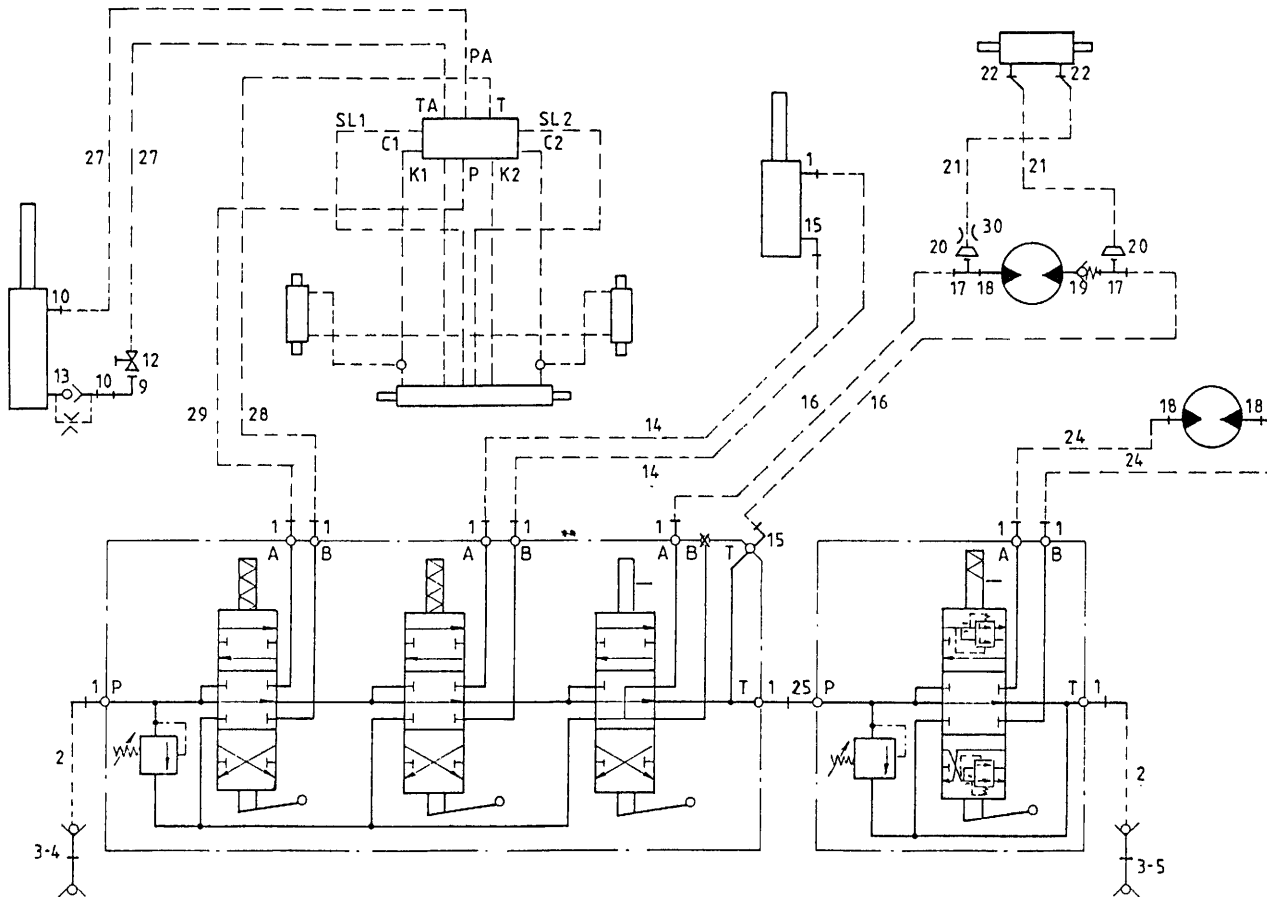


51093

| | | | |
|---|-------|---|---------|
| 1 | 11847 | 1 | M6 x 10 |
| 2 | 11848 | 1 | |
| 3 | 31641 | 1 | |
| 4 | 31643 | 1 | |
| 5 | 84119 | 1 | |
| X | 05333 | 1 | |

92123

Afbeelding 17 : Slangenloop Silomaster enkelzijdig lossend met snijsysteem
 Abbildung 17 : Hydraulik-Plan Silomaster einseitige Entleerung mit Schneidmesser



bestelnummer
 ordernummer
 Num. à commander
 Bestellnummer

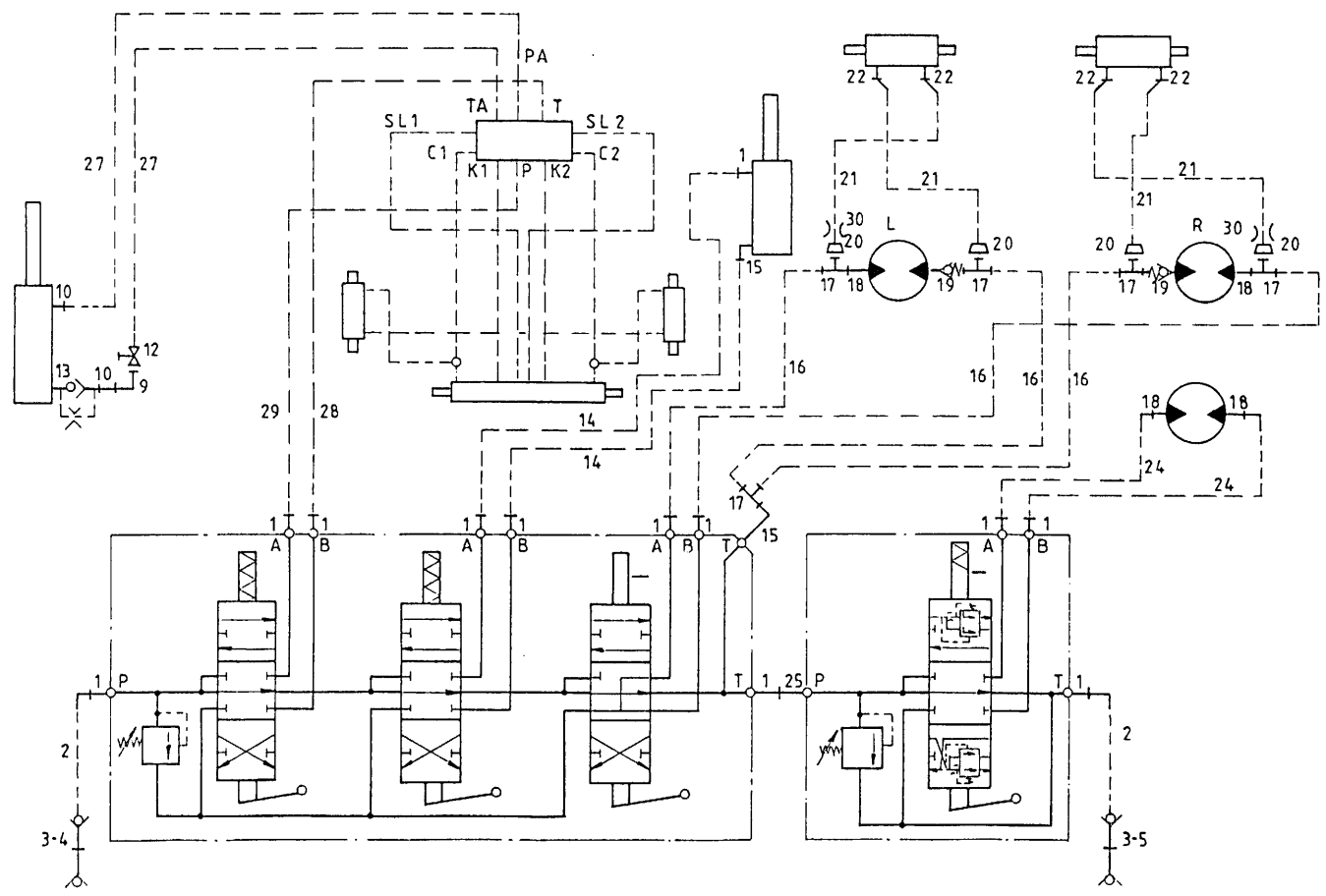
| | | | |
|----|--------|----|-------------|
| 1 | X50102 | 11 | |
| 2 | W50805 | 2 | ½" 1400 RH |
| 3 | 53301 | 2 | |
| 4 | 53303 | 1 | rood |
| 5 | 53326 | 1 | blauw |
| 9 | 50122 | 1 | |
| 10 | X50113 | 2 | |
| 12 | 51045 | 1 | |
| 13 | 53274 | 1 | |
| 14 | W50930 | 2 | ½" 2500 RR |
| 15 | X50101 | 2 | |
| 16 | W50772 | 2 | ½" 1400 RR |
| 17 | X50303 | 2 | |
| 18 | X50117 | 3 | |
| 19 | 53269 | 1 | |
| 20 | X50304 | 2 | |
| 21 | W50948 | 2 | ¼" 360 R45° |
| 22 | X50104 | 2 | |
| 24 | W50748 | 2 | ½" 2200 RH |
| 25 | X50132 | 1 | |
| 27 | W50962 | 2 | ¾" 3350 RR |
| 28 | W50916 | 1 | ½" 3300 RR |
| 29 | W50963 | 1 | ½" 3650 RR |
| 30 | 30752 | 1 | Ø 1,5 mm |

92123

Afbeelding 18 : Slangenloop Silomaster dubbelzijdig lossend met snijsysteem
 Abbildung 18 : Hydraulik-Plan Silomaster beidseitige Entleerung mit Schneidmesser

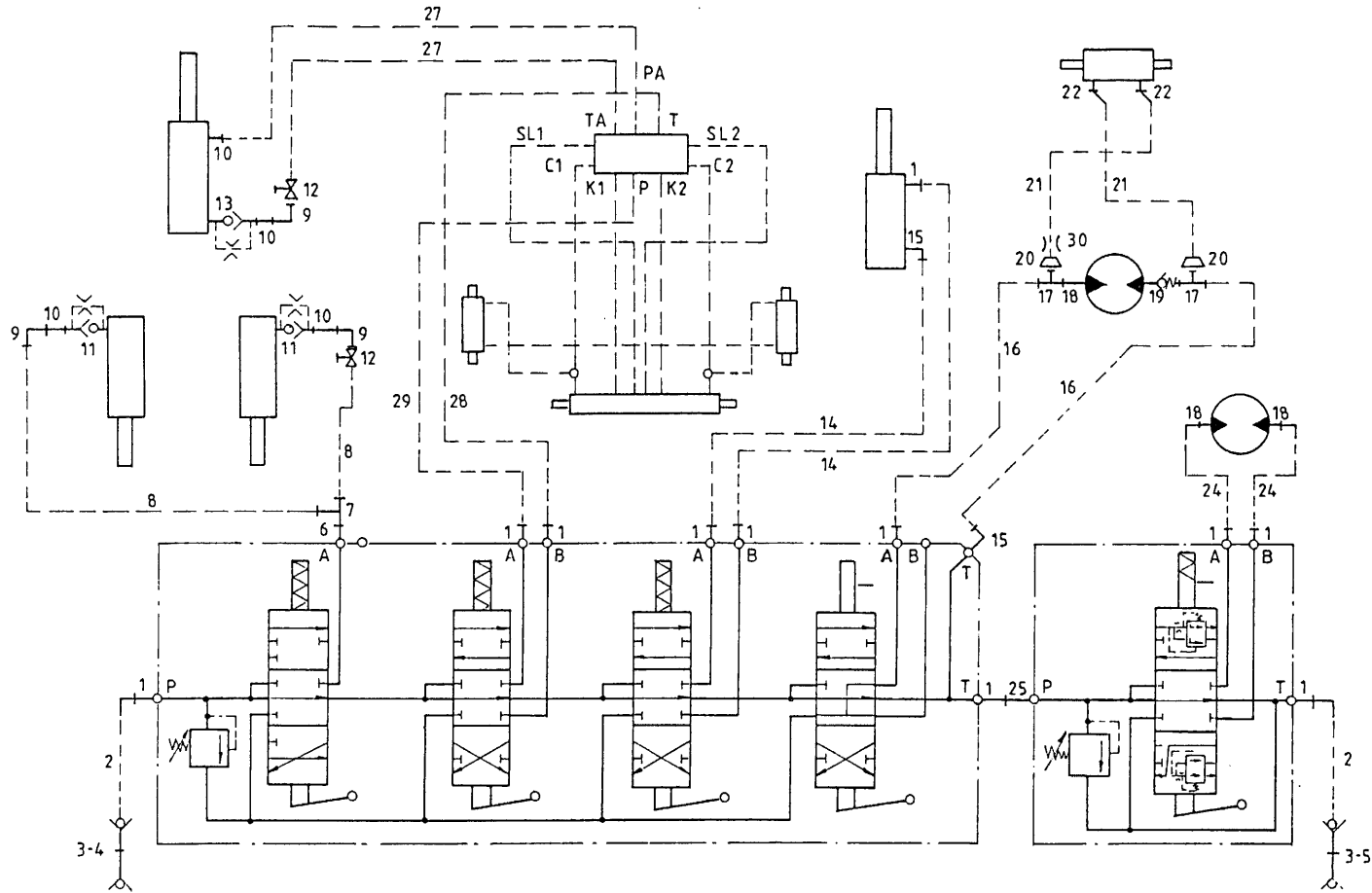
bestelnummer
 ordernummer
 Num. à commander
 Bestellnummer

| | | | |
|----|--------|----|-------------|
| 1 | X50102 | 12 | |
| 2 | W50805 | 2 | ½" 1400 RH |
| 3 | 53301 | 2 | |
| 4 | 53303 | 1 | rood |
| 5 | 53326 | 1 | blauw |
| 9 | 50122 | 1 | |
| 10 | X50113 | 2 | |
| 12 | 51045 | 1 | |
| 13 | 53274 | 1 | Ø 1,5 mm |
| 14 | W50930 | 2 | ½" 2500 RR |
| 15 | X50101 | 2 | |
| 16 | W50772 | 4 | ½" 1400 RR |
| 17 | X50303 | 5 | |
| 18 | X50117 | 4 | |
| 19 | 53269 | 2 | |
| 20 | X50304 | 4 | |
| 21 | W50948 | 4 | ¼" 360 R45° |
| 22 | X50104 | 4 | |
| 24 | W50748 | 2 | ½" 2200 RH |
| 25 | X50132 | 1 | |
| 27 | W50962 | 2 | ¾" 3350 RR |
| 28 | W50916 | 1 | ½" 3300 RR |
| 29 | W50963 | 1 | ½" 3650 RR |
| 30 | 30752 | 2 | Ø 1,5 mm |



92123

Afbeelding 19 : Slangenloop UKW 3500 enkelzijdig lossend met messysteem
 Abbildung 19 : Hydraulik-plan UKW 3500 einseitig Entleerung mit Schneidmesser

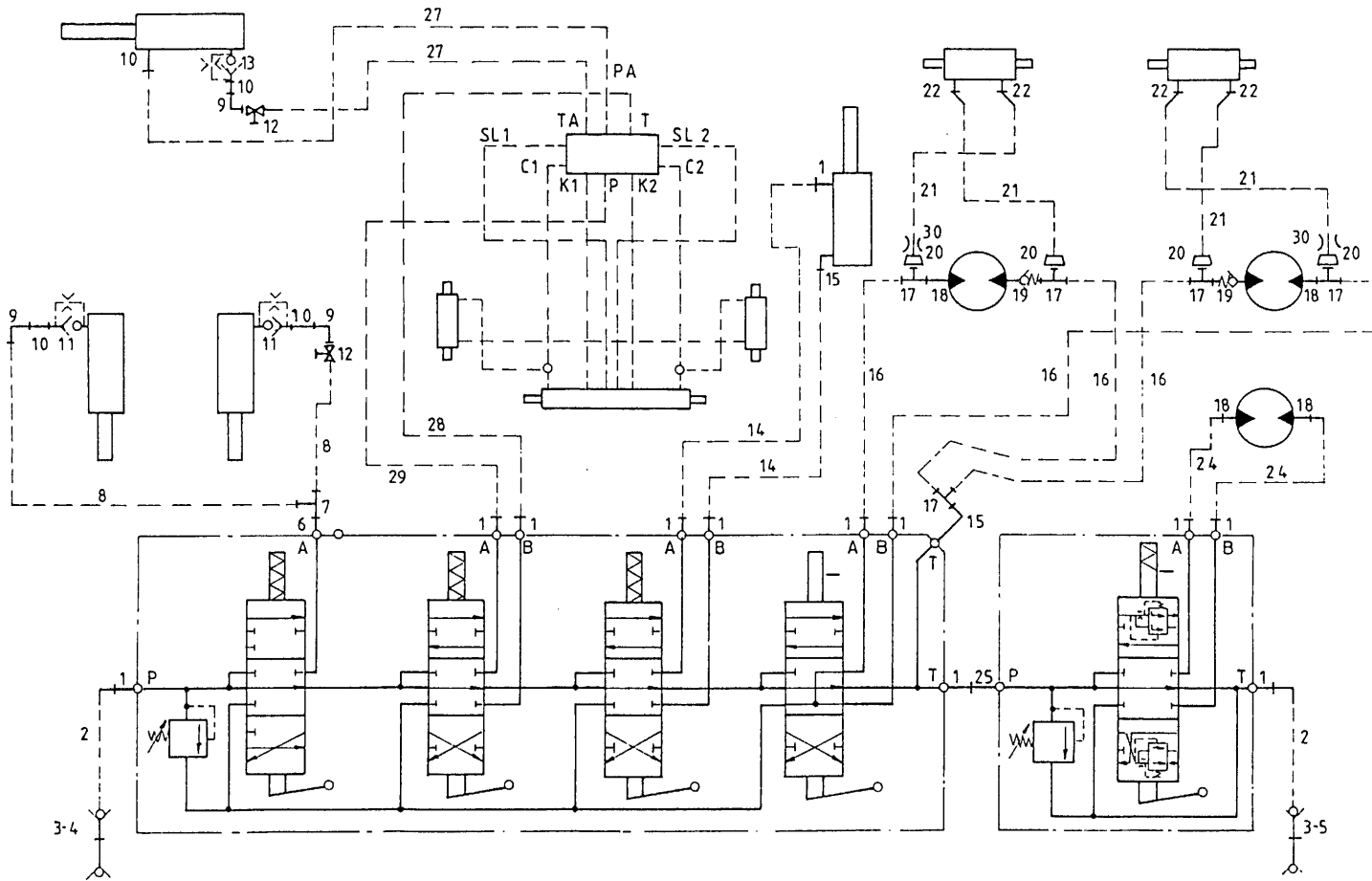


bestelnummer
 ordernummer
 Num. à commander
 Bestellnummer

| | | |
|----|--------|---------------|
| 1 | X50102 | 11 |
| 2 | W50643 | 2 ½" 2500 RH |
| 3 | 53301 | 2 |
| 4 | 53303 | 1 rood |
| 5 | 53326 | 1 blauw |
| 6 | 50113 | 1 |
| 7 | X50309 | 1 |
| 8 | W50710 | 2 ⅜" 2500 RR |
| 9 | 50122 | 3 |
| 10 | X50113 | 4 |
| 11 | 53202 | 2 Ø 1 mm |
| 12 | 51045 | 2 |
| 13 | 53274 | 1 Ø 1,5 mm |
| 14 | W50930 | 2 ½" 2500 RR |
| 15 | X50101 | 2 |
| 16 | W50772 | 2 ½" 1400 RR |
| 17 | X50303 | 2 |
| 18 | X50117 | 3 |
| 19 | 53269 | 1 |
| 20 | X50304 | 2 |
| 21 | W50948 | 2 ¼" 360 R45° |
| 22 | X50104 | 2 |
| 24 | W50748 | 2 ½" 2200 RH |
| 25 | X50132 | 1 |
| 27 | W50947 | 2 ⅜" 3600 RR |
| 28 | W50619 | 1 ½" 3300 RR |
| 29 | W50764 | 1 ½" 3900 RR |
| 30 | 30752 | 1 Ø 1,5 mm |

92123

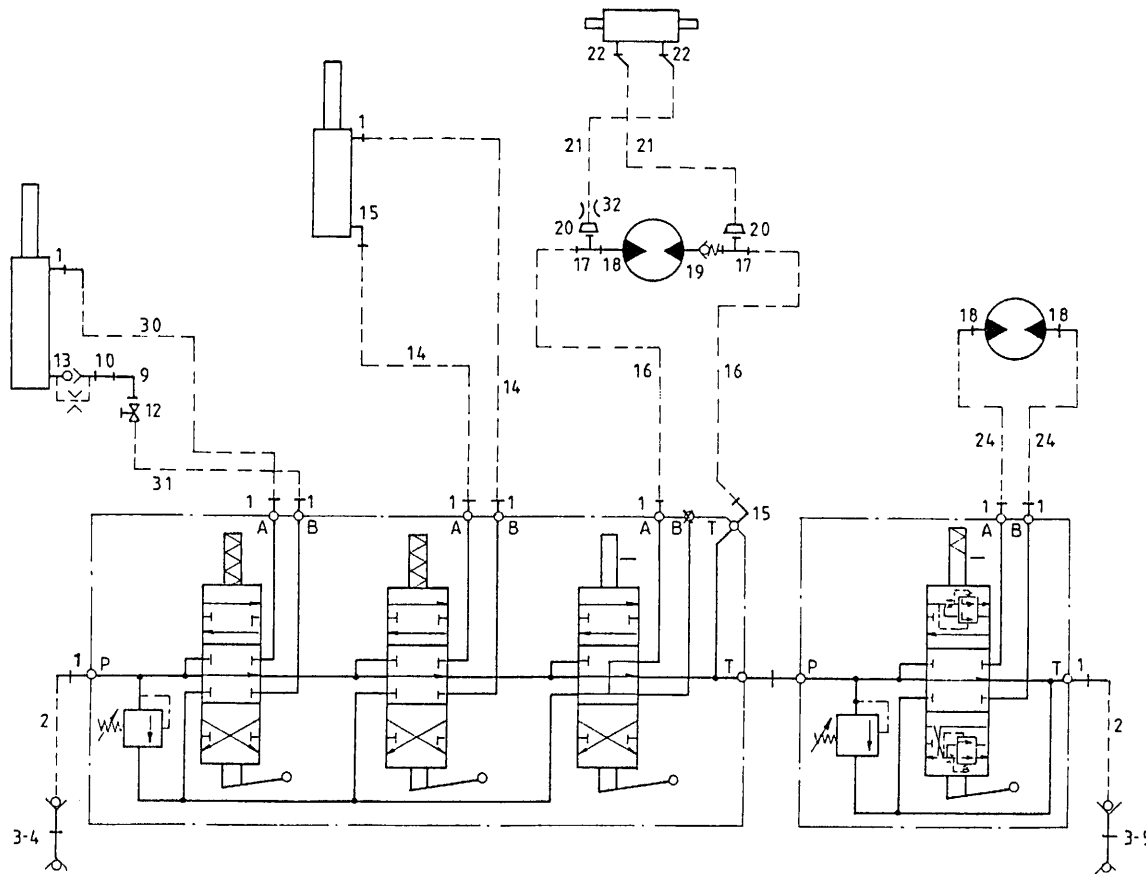
Afbeelding 20 : Slangenloop UKW 3500 dubbelzijdig lossend met messysteem
 Abbildung 20 : Hydraulik-Plan UKW 3500 beidseitige entleerung mit Schneidmesser



| bestelnummer | ordernummer | Num. à commander | Bestellnummer |
|--------------|-------------|------------------|---------------|
| 1 | X50102 | 12 | |
| 2 | W50643 | 2 | ½" 2500 RH |
| 3 | 53301 | 2 | |
| 4 | 53303 | 1 | rood |
| 5 | 53326 | 1 | blauw |
| 6 | 50113 | 1 | |
| 7 | X50309 | 1 | |
| 8 | W50710 | 2 | ⅜" 2500 RR |
| 9 | 50122 | 3 | |
| 10 | X50113 | 4 | |
| 11 | 53202 | 2 | Ø 1 mm |
| 12 | 51045 | 2 | |
| 13 | 53274 | 1 | Ø 1,5 mm |
| 14 | W50930 | 2 | ½" 2500 RR |
| 15 | X50101 | 2 | |
| 16 | W50772 | 4 | ½" 1400 RR |
| 17 | X50303 | 5 | |
| 18 | X50117 | 4 | |
| 19 | 53269 | 2 | |
| 20 | X50304 | 4 | |
| 21 | W50948 | 4 | ¼" 360 R45° |
| 22 | X50104 | 4 | |
| 24 | W50748 | 2 | ½" 2200 RH |
| 25 | X50132 | 1 | |
| 27 | W50947 | 2 | ⅜" 3600 RR |
| 28 | W50619 | 1 | ½" 3300 RR |
| 29 | W50764 | 1 | ½" 3900 RR |
| 30 | 30752 | 2 | Ø 1,5 mm |

92123

Afbeelding 21 : Slangenloop Silomaster enkelzijdig lossend met krabsysteem
 Abbildung 21 : Hydraulik-Plan Silomaster einseitige Entleerung mit Kamm



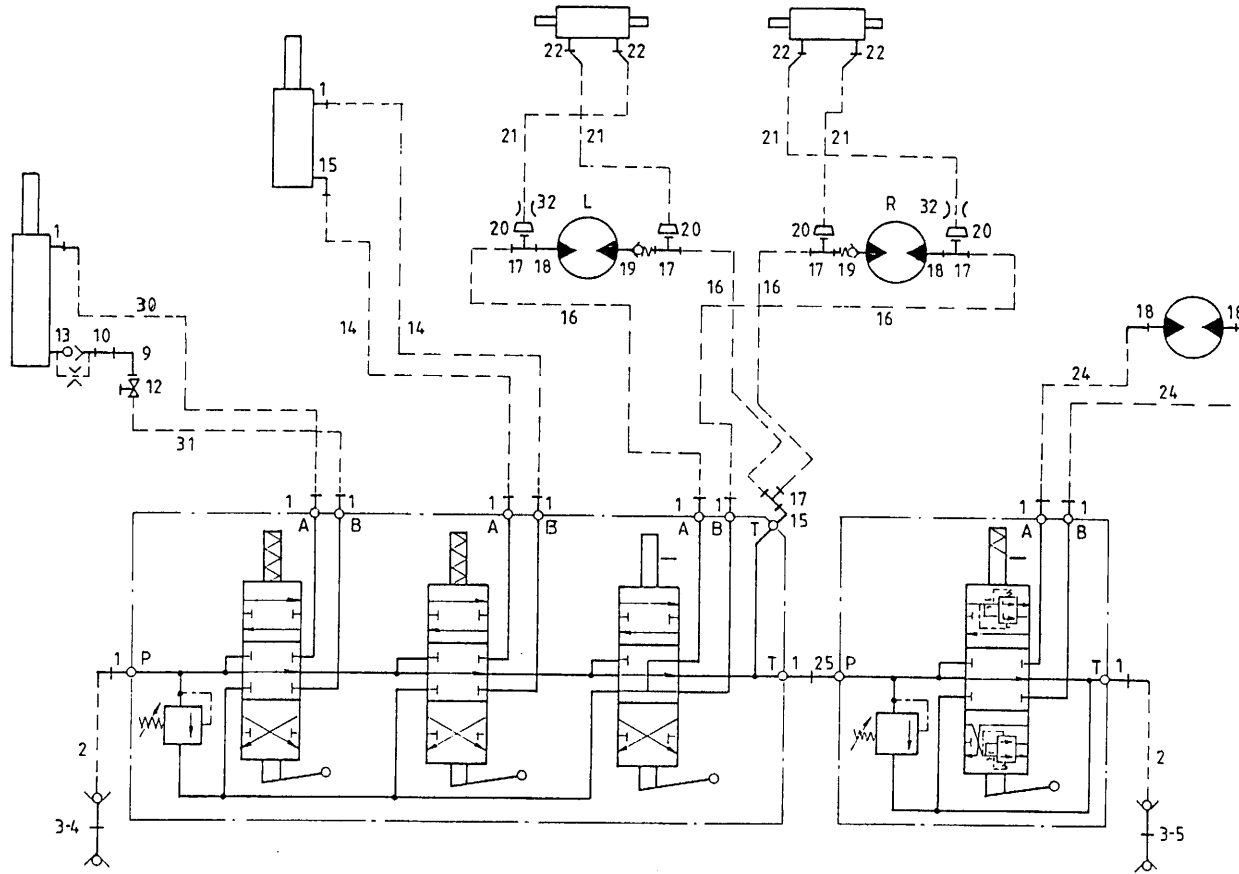
bestelnummer
 ordernummer
 Num. à commander
 Bestellnummer

| | | | |
|----|--------|----|-------------|
| 1 | X50102 | 11 | |
| 2 | W50805 | 2 | ½" 1400 RH |
| 3 | 53301 | 2 | |
| 4 | 53303 | 1 | rood |
| 5 | 53326 | 1 | blauw |
| 9 | 50122 | 1 | |
| 10 | X50113 | 1 | |
| 12 | 51044 | 1 | |
| 13 | 53281 | 1 | Ø 2,8 mm |
| 14 | W50930 | 2 | ½" 2500 RR |
| 15 | X50101 | 2 | |
| 16 | W50772 | 2 | ½" 1400 RR |
| 17 | X50303 | 2 | |
| 18 | X50117 | 3 | |
| 19 | 53269 | 1 | |
| 20 | X50304 | 2 | |
| 21 | W50948 | 2 | ¼" 360 R45° |
| 22 | X50104 | 2 | |
| 24 | W50748 | 2 | ½" 2200 RH |
| 25 | X50132 | 1 | |
| 30 | W50601 | 1 | ½" 1800 RH |
| 31 | W50784 | 1 | ½" 2250 RR |
| 32 | 30752 | 1 | Ø 1,5 mm |

92123

Afbeelding 22 : Slangenloop Silomaster dubbelzijsig lossend met krabsysteem
 Abbildung 22 : Hydraulik-Plan Silomaster beidseitige Entleerung mit Kamm

bestelnummer
 ordernummer
 Num. à commander
 Bestellnummer

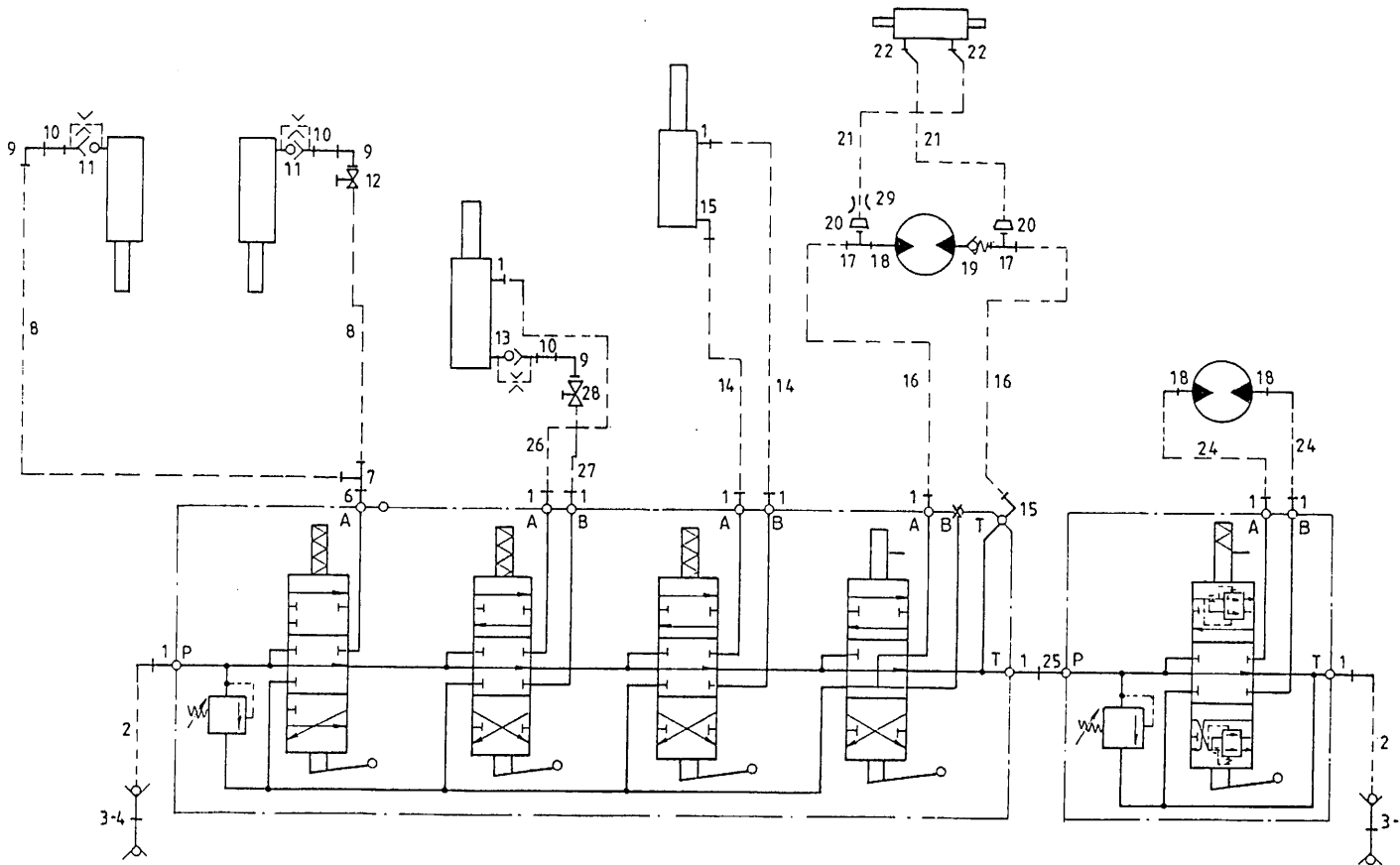


| | | |
|----|--------|---------------|
| 1 | X50102 | 13 |
| 2 | W50805 | 2 ½" 1400 RH |
| 3 | 53301 | 2 |
| 4 | 53303 | 1 rood |
| 5 | 53326 | 1 blauw |
| 9 | 50122 | 1 |
| 10 | X50113 | 1 |
| 12 | 51044 | 1 |
| 13 | 53281 | 1 Ø 2,8 mm |
| 14 | W50930 | 2 ½" 2500 RR |
| 15 | X50101 | 2 |
| 16 | W50772 | 4 ½" 1400 RR |
| 17 | X50303 | 5 |
| 18 | X50117 | 4 |
| 19 | 53269 | 2 |
| 20 | X50304 | 4 |
| 21 | W50948 | 4 ¼" 360 R45° |
| 22 | X50104 | 4 |
| 24 | W50748 | 2 ½" 2200 RH |
| 25 | X50132 | 1 |
| 30 | W50601 | 1 ½" 1800 RH |
| 31 | W50784 | 1 ½" 2250 RR |
| 32 | 30752 | 2 Ø 1,5 mm |

92123

Afbeelding 23 : Slangenloop UKW 3500 enkelzijdig lossend met krabsysteem

Abbildung 23 : Hydraulik-Plan UKW 3500 einseitige Entleerung mit Kamm



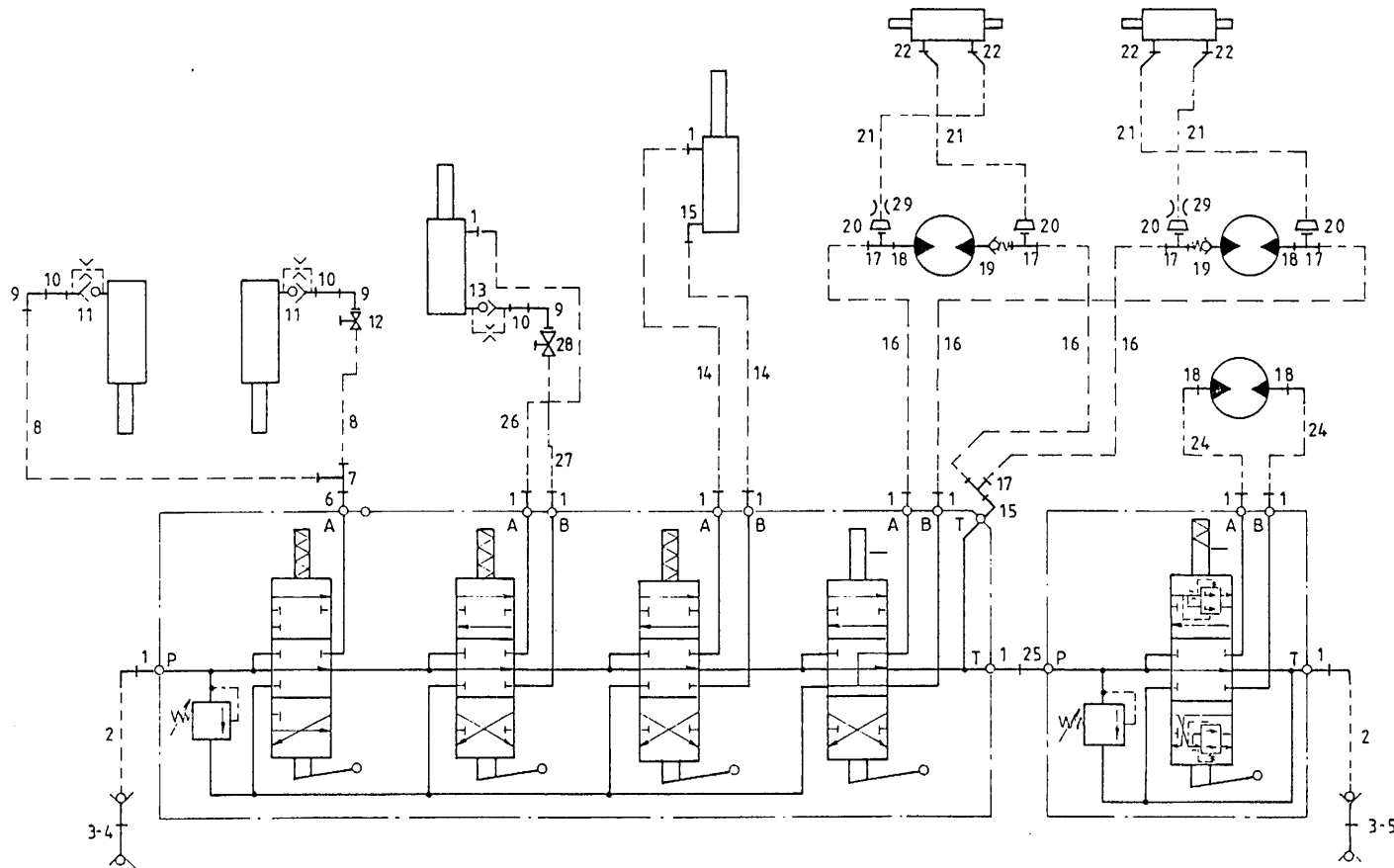
bestelnummer
 ordernummer
 Num. à commander
 Bestellnummer

| | | | |
|----|--------|----|-------------|
| 1 | X50102 | 12 | |
| 2 | W50643 | 2 | ½" 2500 RH |
| 3 | 53301 | 2 | |
| 4 | 53303 | 1 | rood |
| 5 | 53326 | 1 | blauw |
| 6 | 50113 | 1 | |
| 7 | X50309 | 1 | |
| 8 | W50710 | 2 | ¾" 2500 RR |
| 9 | 50122 | 3 | |
| 10 | X50113 | 3 | |
| 11 | 53202 | 2 | Ø 1 mm |
| 12 | 51045 | 1 | |
| 13 | 53281 | 1 | Ø 2,8 mm |
| 14 | W50930 | 2 | ½" 2500 RR |
| 15 | X50101 | 2 | |
| 16 | W50772 | 2 | ½" 1400 RR |
| 17 | X50303 | 2 | |
| 18 | X50117 | 3 | |
| 19 | 53269 | 1 | |
| 20 | X50304 | 2 | |
| 21 | W50948 | 2 | ¼" 360 R45° |
| 22 | X50104 | 2 | |
| 25 | X50132 | 1 | |
| 26 | W50784 | 1 | ½" 2250 RR |
| 27 | W50601 | 1 | ½" 1800 RH |
| 28 | 51044 | 1 | |
| 29 | 30752 | 1 | Ø 1,5 mm |

92123

Afbeelding 24 : Slangenloop UKW 3500 dubbelzijdig lossend met krabsysteem

Abbildung 24 : Hydraulik-Plan UKW 3500 beidseitige Entleerung mit Kamm



bestelnummer
 ordernummer
 Num. à commander
 Bestellnummer

| | | | |
|----|--------|----|-------------|
| 1 | X50102 | 12 | |
| 2 | W50643 | 2 | ½" 2500 RH |
| 3 | 53301 | 2 | |
| 4 | 53303 | 1 | rood |
| 5 | 53326 | 1 | blauw |
| 6 | 50113 | 1 | |
| 7 | X50309 | 1 | |
| 8 | W50710 | 2 | ¾" 2500 RR |
| 9 | 50122 | 3 | |
| 10 | X50113 | 3 | |
| 11 | 53202 | 2 | Ø 1 mm |
| 12 | 51045 | 1 | |
| 13 | 53281 | 1 | Ø 2,8 mm |
| 14 | W50930 | 2 | ½" 2500 RR |
| 15 | X50101 | 2 | |
| 16 | W50772 | 2 | ½" 1400 RR |
| 17 | X50303 | 2 | |
| 18 | X50117 | 3 | |
| 19 | 53269 | 1 | |
| 20 | X50304 | 2 | |
| 21 | W50948 | 2 | ¼" 360 R45° |
| 22 | X50104 | 2 | |
| 24 | W50748 | 2 | ½" 2200 RH |
| 25 | X50132 | 1 | |
| 26 | W50784 | 1 | ½" 2250 RR |
| 27 | W50601 | 1 | ½" 1800 RH |
| 28 | 51044 | 1 | |
| 29 | 30752 | 2 | Ø 1,5 mm |



**Trioliet Mullos B.V.
Himmanweg 19**

7575 BE Oldenzaal - Holland

Postbus 134

7570 AC Oldenzaal - Holland

Tel.: 0541 - 57 21 21 / Tel.: (+) 31 - 541 - 57 21 21

Fax 0541 - 57 21 25 / Fax (+) 31 - 541 - 57 21 25

Voor onderdelen / Für Ersatzteile

Tel.: 0541 - 57 21 36 / Tel.: (+) 31 - 541 - 57 21 36

Fax 0541 - 57 21 40 / Fax (+) 31 - 541 - 57 21 40