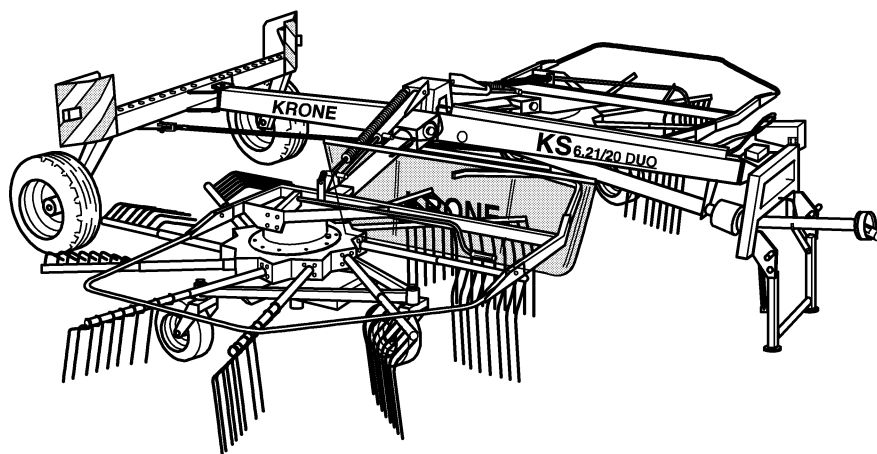




ERSATZTEILE

SPARE PARTS

PIÈCES DETACHEES



000 001 026 01 H - 31/10/2005

KS 6.21/20 DUO
KS 6.21 - 6.81/20
Duo

ab Masch.-Nr.
from mach.-no.

411 983 - 434 799

/ 000 001 026 01 H /

Erläuterungen Illustration Illustration

Gültigkeit dieser Tafel
Validity of this diagram
Validité du diagramme

Nr. der Zeichnung, die zu dieser Seite gehört
No. of drawing belonging to this page
No. du dessin appartenant à cette page

Tafel-Nr.
No. of diagram
No. de diagramme

Bennung dieser Tafel
Denomination of this diagram
Dénomination du diagramme

Maschinentypen
Type of machines
Type de machines

Nr. dieser Ersatzteilliste
No. of this spare part list
No. de cette liste des pièces de rechange

Tragrahmen / Schutze kpl. Frame / Guard cpl. Cadre / Protecteurs cpl.						000 001 084 00		
					585 000 - 597 629	C D R O M	444 841 1	4.0
Pos.	ID-Nr.	Benennung	Description	Description	Masch.-Nr.			
1	00 259 671 0	Tragrahmen links	Frame left	Cadre gauche	585 000 - 597 629	x		
	00 259 627 0	Tragrahmen rechts	Frame right	Cadre droite	585 000 - 597 629	x		
	00 901 491 0	6kt-Schraube	Hex head bolt	Boulon tete hex	590 000	x		M 16 X 130
3	00 909 912 0	Sperkantscheibe	Detent edged washer	Disque à bord d'arrêt	597 629	x		SKM 16

Dieses Ersatzteil ist gültig ab Masch.Nr. 590 000
This spare part is valid from mach. no. 590 000
Cette pièce de rechange est valable à partir de no. de machine 590 000

Dieses Ersatzteil ist gültig von Masch.Nr. 585 000 bis Masch.Nr. 597 629
This spare part is valid from mach. no. 585 000 up to mach. no. 597 629
Cette pièce de rechange est valable à partir de no. de machine 585 000 jusqu'au no. 597 629

Dieses Ersatzteil ist gültig bis Masch.Nr. 597 629
This spare part is valid up to mach. no. 597 629
Cette pièce de rechange est valable jusqu'au no. de machine 597 629

Bestell-Nr.
Order no.
No. de commande

Position des Ersatzteiles in der Zeichnung
Position of spare part in the drawing
Position de la pièce de rechange au dessin

**Ersatzteil-Katalog auch
auf CD-ROM erhältlich!**
**Spare parts list also
available as CD-ROM!**
**Catalogue de pièces de rechange
également disponible sur CD-ROM!**

Anzahl Teile je Typ

X = nach Bedarf
Kein Eintrag = Keine Verwendung für diesen Typ

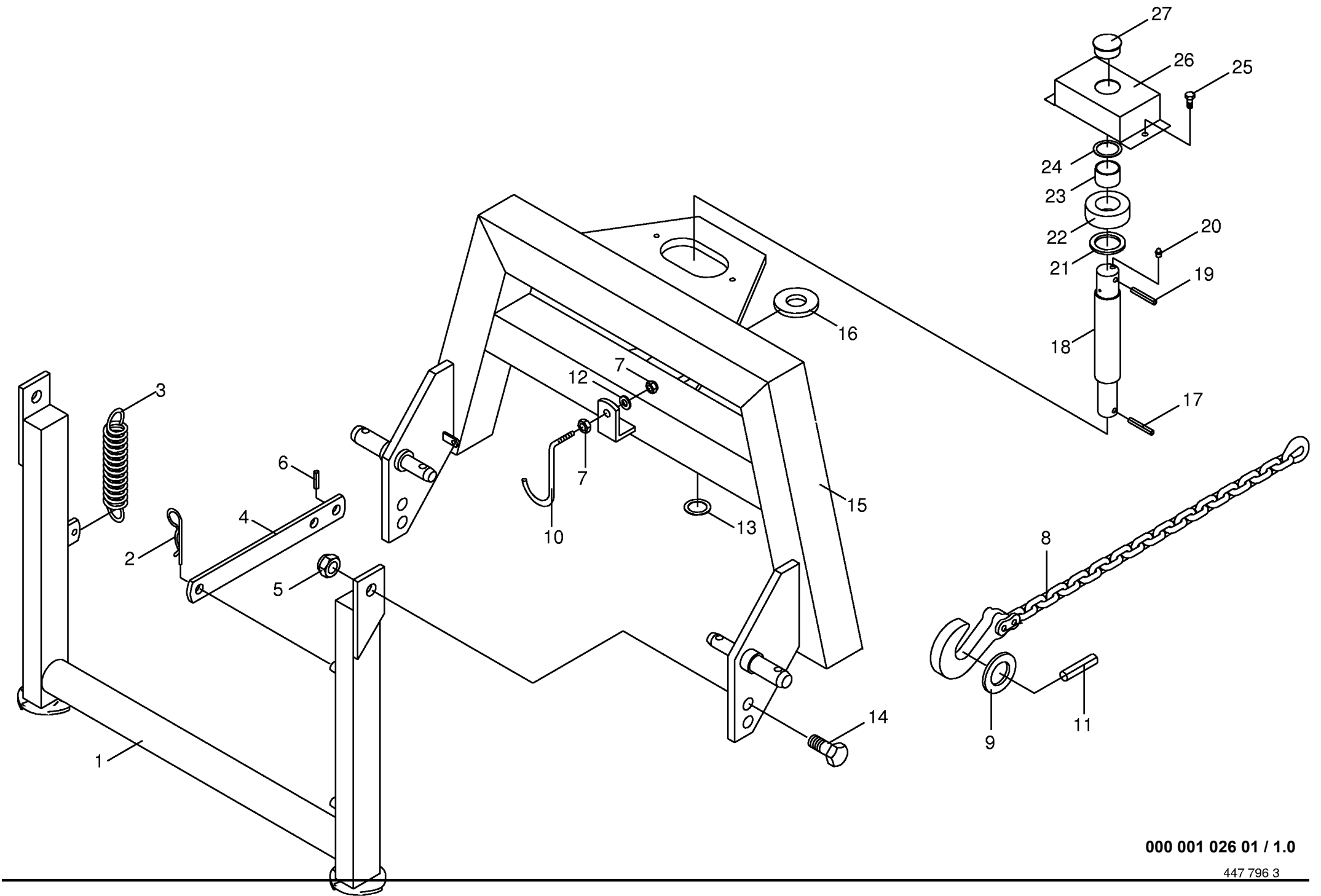
Quantity of parts for each type

X = as needed
No entry = No use for this type

Quantité de pièces de chaque type

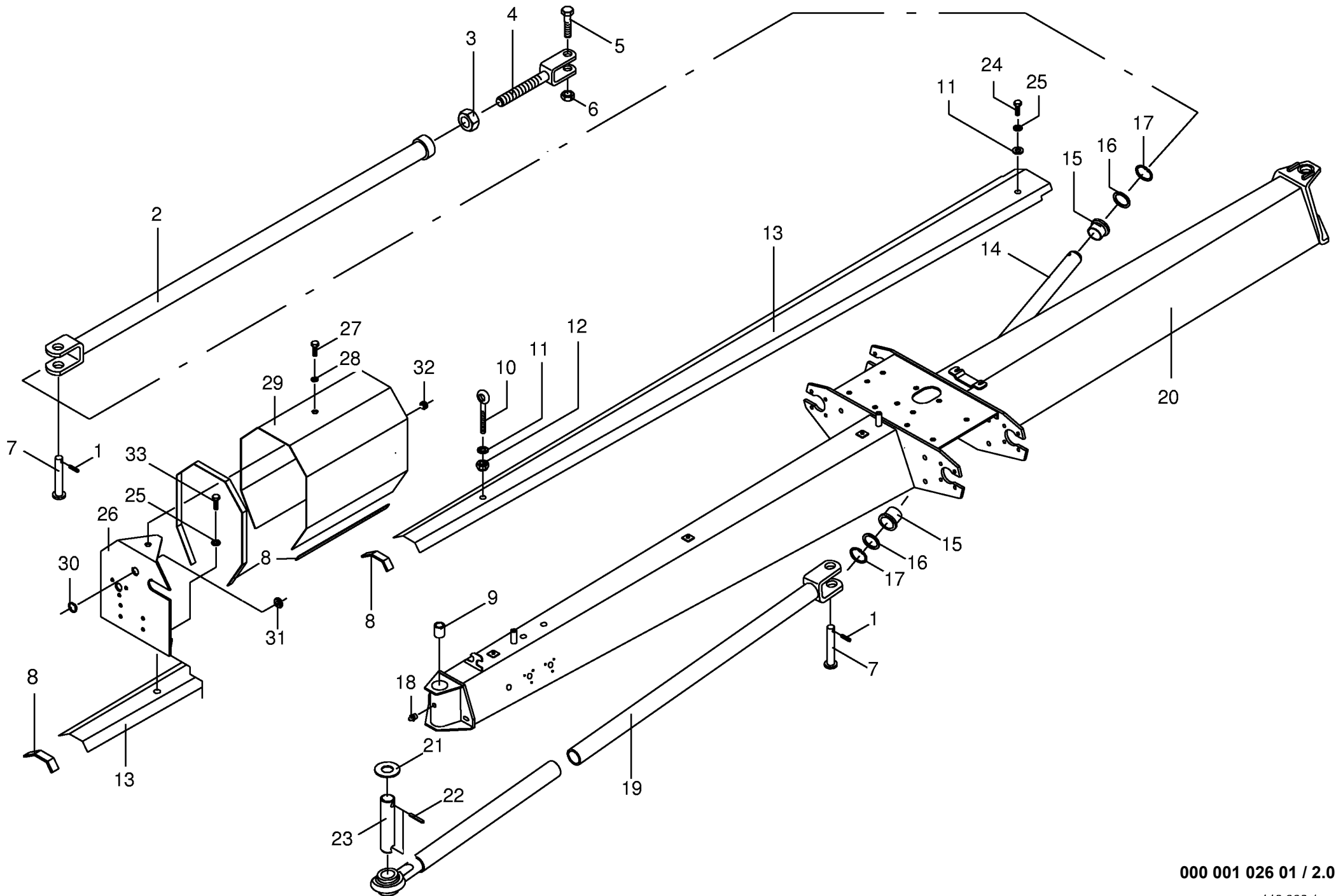
X = selon besion
Aucune inscription = Pa d'utilisation pour ce type

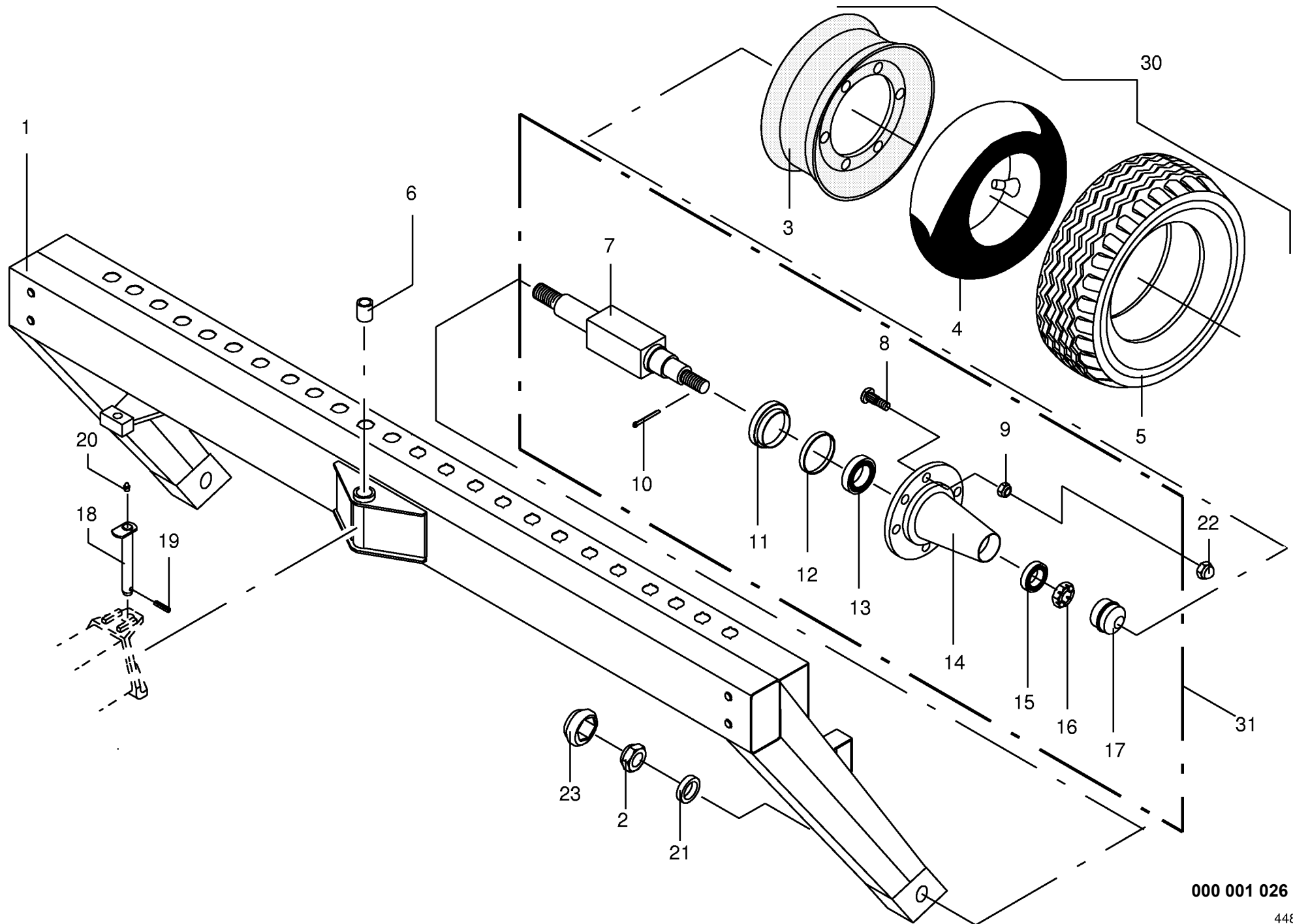
INHALTSVERZEICHNIS	TABLE OF CONTENTS	TABLE DES MATIERES	TAFEL DIAGRAM DIAGRAMME
Anhängebock und Stützbügel	Headstock	Chevalet d attelage	1.0
Rahmen	Frame	Bâti	2.0
Fahrwerk	Under-carriage	Chassis porteur	3.0
Hauptgetriebe kpl.	Main transmission	Renvoi d'angle complet	4.0
Rahmenverstärkung	Frame reinforcement	Renforcement du cadre	5.0
Durchtriebswelle mit Lagerung	Through pto with bearing	P.d.f. débouchante avec palier	6.0
Auslegearm innen	Wing arm	Bras support	7.0
Auslegearm außen	Wing arm	Bras support	8.0
Auslegearm innen	Wing arm	Bras support	9.0
Auslegearm außen	Wing arm	Bras support	10.0
Getriebe	Gearbox	Carter	11.0
Kurvenbahn	Cam track	Disque a came	12.0
Steuerarm kpl.	Control arm cpl.	Bras de commande cpl.	13.0
Zinkenarm	Tine arm	Bras porte-dents	14.0
Fahrgestell	Chassis	Châssis	15.0
Tastrad	Depth wheel	Roue de terrage	16.0
Verriegelung	Locking mechanism	Verrouillage	17.0
Verriegelung	Locking mechanism	Verrouillage	17.1
Schutze - Kreisel	Guard - rotor	Protecteurs - rotor	18.0
Mechanische Aushebung	Mechanical lift	Système de levage mécanique	19.0
Elektrische Aushebung	Electrical lift	Relevage électrique	20.0
Elektrische Bedienung	Electrical control	Commande électrique	21.0
Zinkenverlustsicherung	Tine loss prevention equipment	Bride anti-perte	22.0
Hydr.-Umschalthahn	Change-over tap	Robinet inverseur hydraulique	23.0
Hydraulik f.Auslegearme	Hydraulics	Système hydraulique	24.0
Hydraulik I bis Steuerventil	Hydraulics I	Système hydraulique I	25.0
Hydraulik II Steuerventil/Auslegearm	Hydraulics II	Système hydraulique II	26.0
Hydraulik III Kreiselanhebung	Hydraulics III	Système hydraulique III	27.0
Schwadtuch mit Zubehör	Swathing deflector	Toile d'andainage	28.0
Beleuchtungshalter	Lighting bracket	Support d'eclairage	29.0
Beleuchtung	Lighting	Installation d'éclairage	30.0
Gelenkwelle Antrieb	Pto-shaft main drive	Abre a cardans	31.0
Gelenkwelle Antrieb WWE 2280-SD15	Pto-shaft main drive	Abre a cardans	32.0
Sicherheitsaufkleber	Warning signs	Plaque indicatrices de securite	33.0
Hinweisaukleber	General information labels	Plaque indicatrices generales	34.0



000 001 026 01 / 1.0

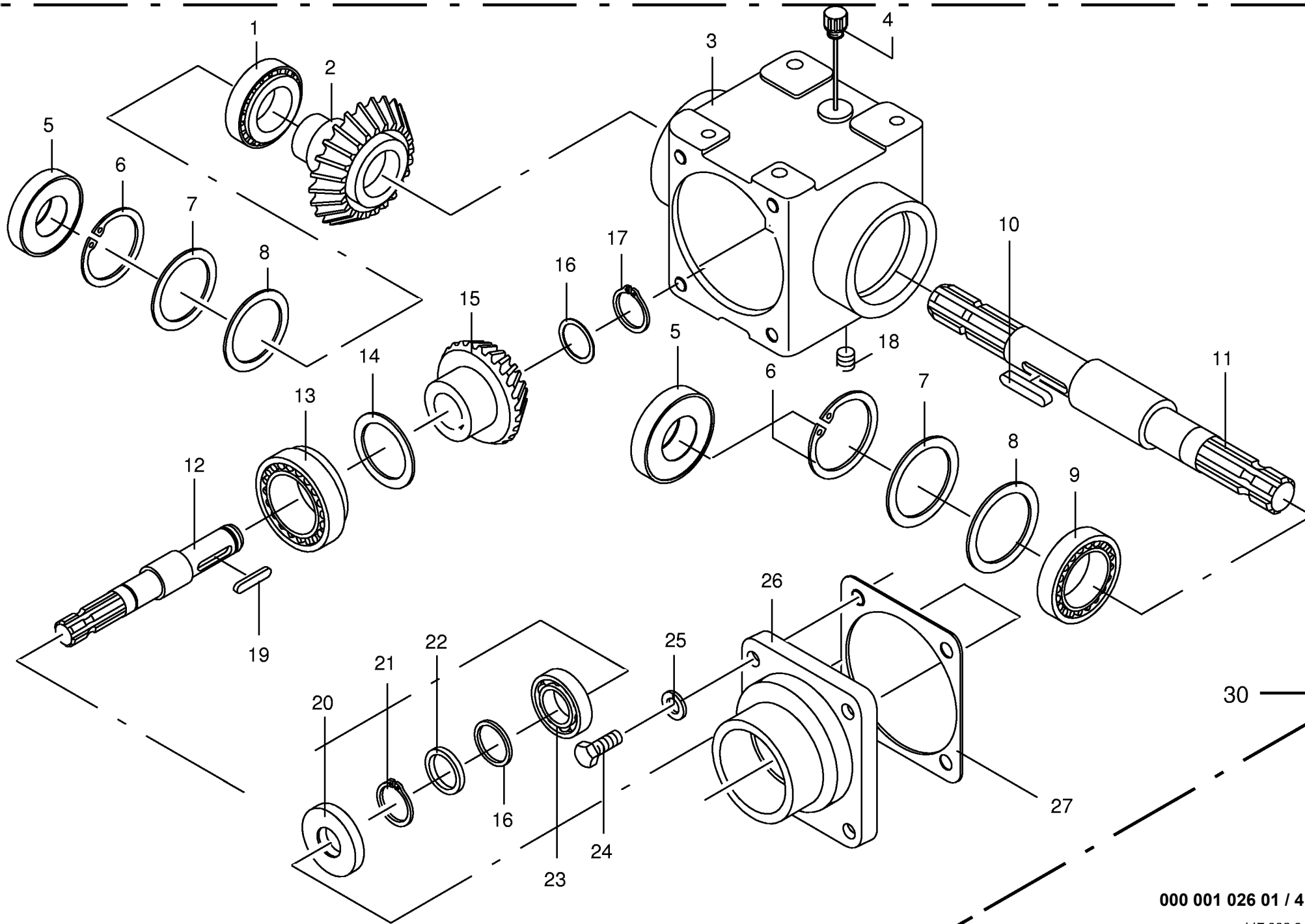
447 796 3



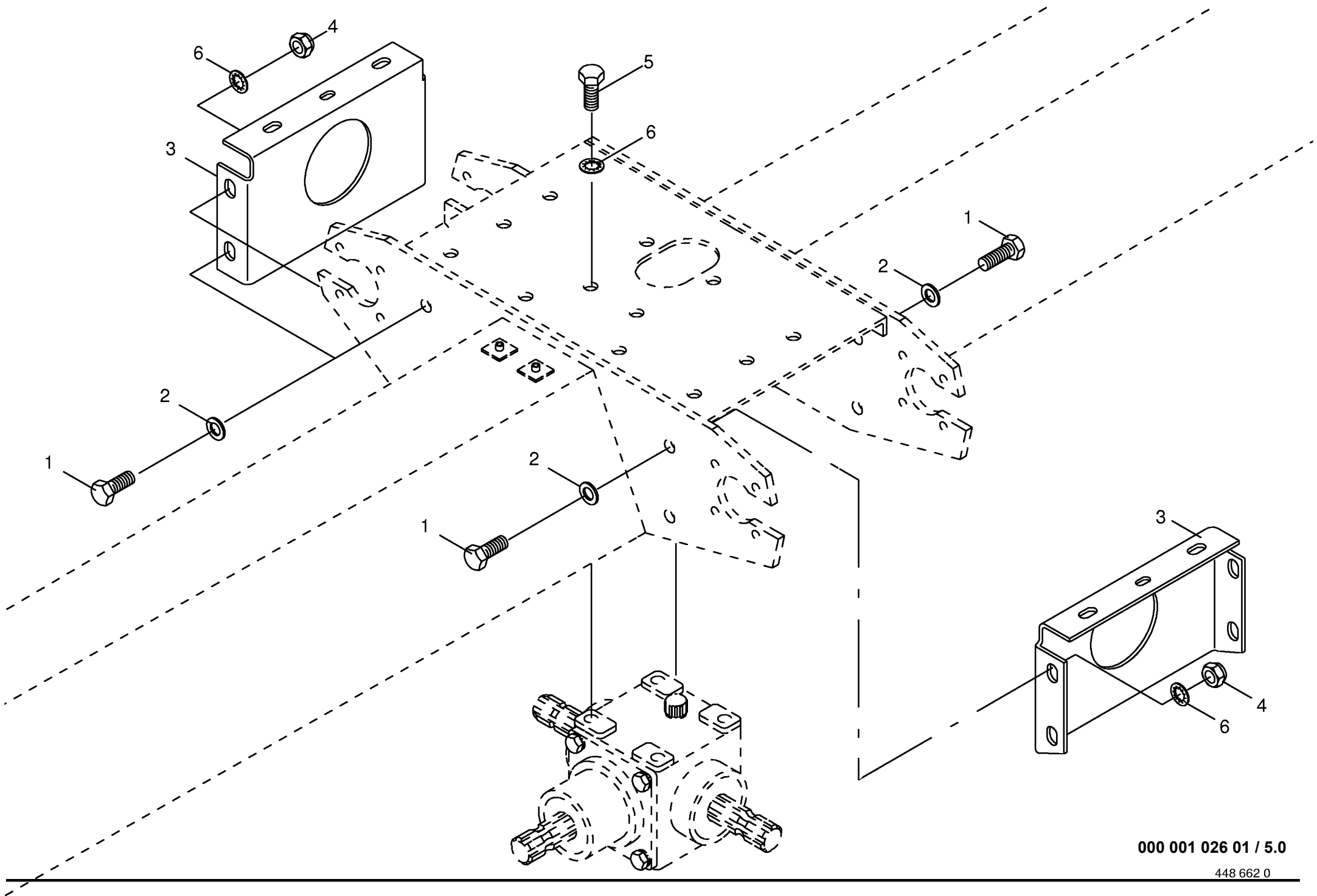


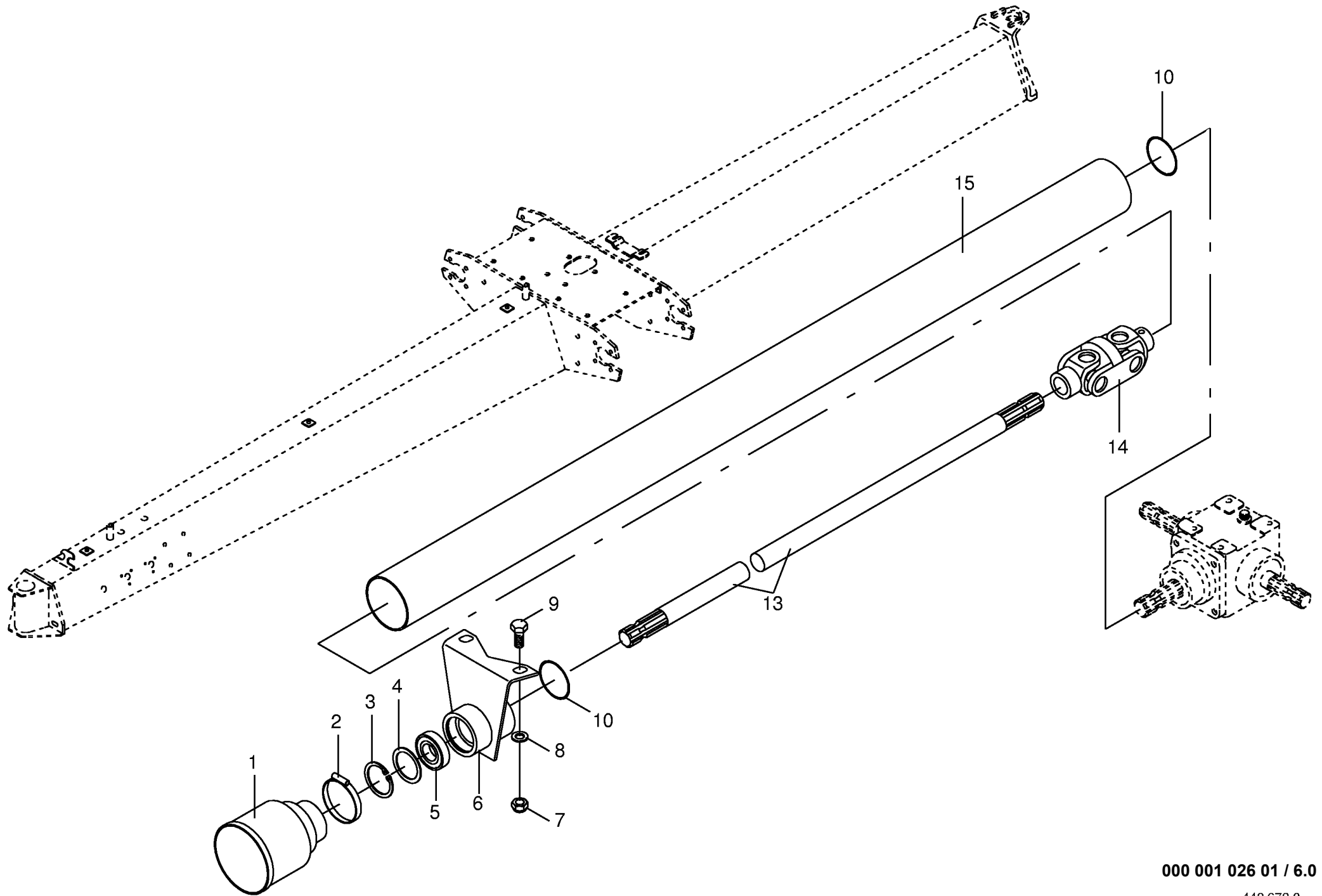
000 001 026 01 / 3.0

448 661 0



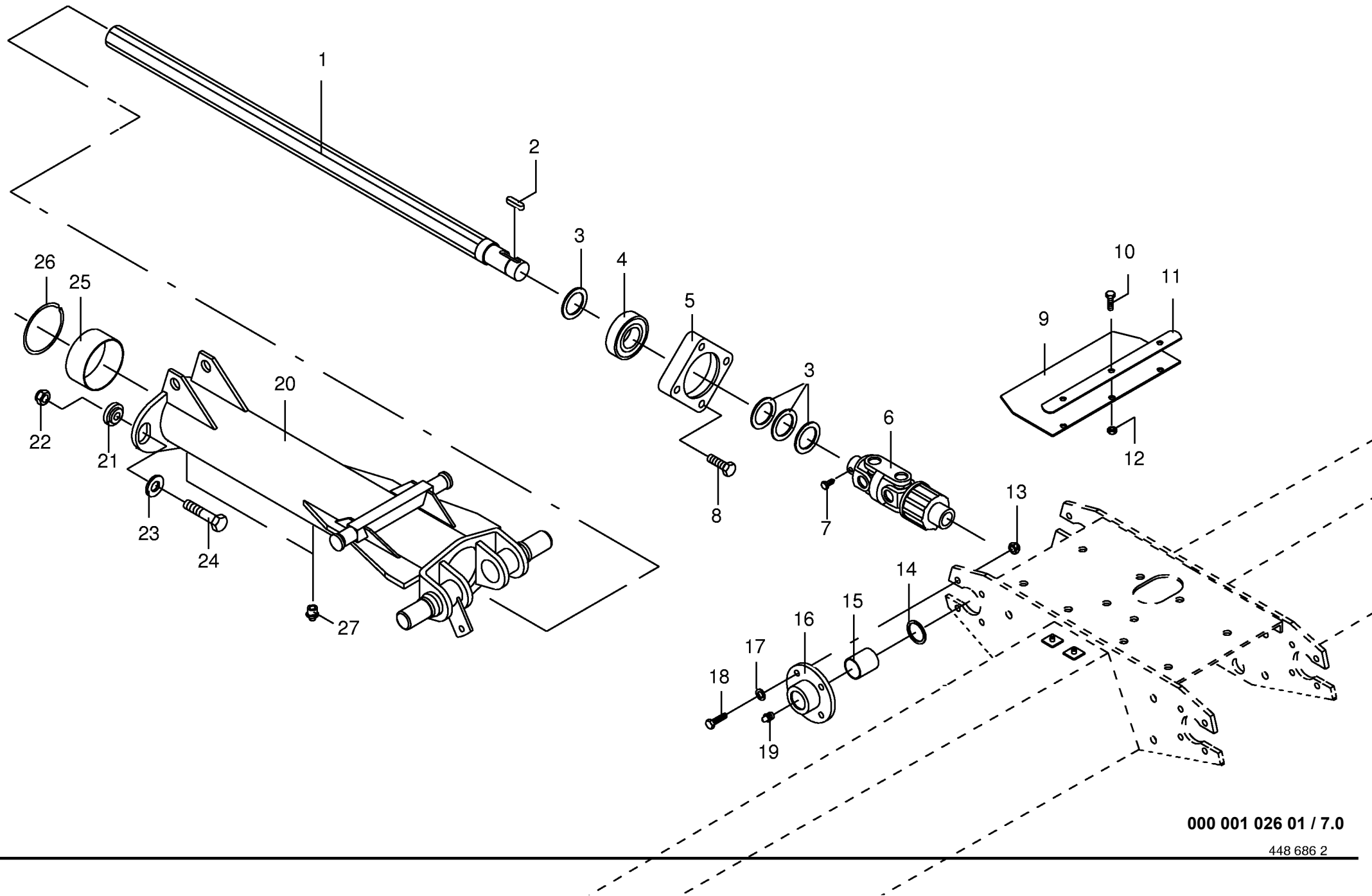
Hauptgetriebe kpl. Main transmission Renvoi d'angle complet					411983 - 434799	K S 6 2 1 / 2 0	K S 6 2 1 - 6 8 1				000 001 026 01
Pos.	ID-Nr.	Benennung	Description	Description	Masch.-Nr-						447 802 0 4.0
											Bemerkung/Remarks/Remarque
1	00 932 177 0	Kegelrollenlager	Tap. roll. bearing	Roulem.roul.con.		x	x				32010 X
2	00 146 985 0	Kegelrad	Bevel wheel	Pignon conique		x	x				Z= 22
3	00 154 170 0	Getriebegehäuse	Gearbox housing	Carter du boîte de vitesses		x	x				
4	00 490 161 1	Ölmesstab	Oil level dipstick	Jauge de niveau d'huile		x	x				
5	00 936 339 0	Radial-Wellendichtring	Radial seal	Bague a levres avec ressort		x	x				B2 35 X 80 X 13
6	00 911 673 0	Sicherungsring	Circlip	Circlip		x	x				I 80 X 2,5
7	00 910 741 0	Stützscheibe	Supporting disc	Rondelle diélectrique		x	x				S 63 X 80 X 3,0
8	00 911 022 0	Passscheibe	Shim ring	Cale		x	x				70 X 80 X 0,1
	00 911 023 0	Passscheibe	Shim ring	Cale		x	x				70 X 80 X 0,3
	00 911 024 0	Passscheibe	Shim ring	Cale		x	x				70 X 80 X 1,0
9	00 930 167 0	Rillenkugellager	Bearing	Roulement rainure a billes		x	x				6307
10	00 915 122 0	Paßfeder	Flat key	Clavette noyee		x	x				A 10 X 8 X 40
11	00 154 019 0	Getriebewelle	Gearbox shaft	Arbre de boîte de vitesse		x	x				Rd. 42 X 430
12	00 145 215 3	Getriebewelle	Gearbox shaft	Arbre de boîte de vitesse		x	x				Rd. 42 X 193
13	00 932 155 0	Kegelrollenlager	Tap. roll. bearing	Roulem.roul.con.		x	x				32210 A
14	00 910 900 0	Passscheibe	Shim ring	Cale		x	x				50 X 62 X 0,1
	00 910 902 0	Passscheibe	Shim ring	Cale		x	x				50 X 62 X 0,3
	00 910 903 0	Passscheibe	Shim ring	Cale		x	x				50 X 62 X 0,5
	00 910 904 0	Passscheibe	Shim ring	Cale		x	x				50 X 62 X 1,0
15	00 146 984 0	Kegelrad	Bevel wheel	Pignon conique		x	x				Z= 16
16	00 911 132 0	Passscheibe	Shim ring	Cale		x	x				35 X 45 X 0,3
	00 911 133 0	Passscheibe	Shim ring	Cale		x	x				35 X 45 X 0,5
	00 911 134 0	Passscheibe	Shim ring	Cale		x	x				35 X 45 X 1,0
17	00 911 541 0	Sicherungsring	Circlip	Circlip		x	x				A 35 X 1,5
18	00 906 040 1	Verschlusschraube	Screw plug	Bouchon filete		x	x				M 18 X 1,5
19	00 915 122 0	Paßfeder	Flat key	Clavette noyee		x	x				A 10 X 8 X 40
20	00 936 337 0	Radial-Wellendichtring	Radial seal	Bague a levres avec ressort		x	x				A 35 X 72 X 12
21	00 911 541 0	Sicherungsring	Circlip	Circlip		x	x				A 35 X 1,5
22	00 910 727 0	Stützscheibe	Supporting disc	Rondelle diélectrique		x	x				S 35 X 45 X 2,5
23	00 930 137 0	Rillenkugellager	Bearing	Roulement rainure a billes		x	x				6207
24	00 900 655 0	6kt-Schraube	Hex head bolt	Boulon tête hex		x	x				M 12 X 25
25	00 910 035 0	Federring	Spring washer	Rondelle elastique		x	x				B 12
26	00 146 976 2	Getriebedeckel	Gearbox cover	Couvercle du boîte de vitesses		x	x				
27	00 145 212 0	Getriebedichtung	Gearbox seal	Joint de boîte de vitesses		x	x				
30	00 154 160 0	Hauptgetriebe	Main gearbox	Boîte de vitesses principal		x	x				
	00 926 101 0	Getriebeöl	Oil	Huile		x	x				1 ltr. SAE 90





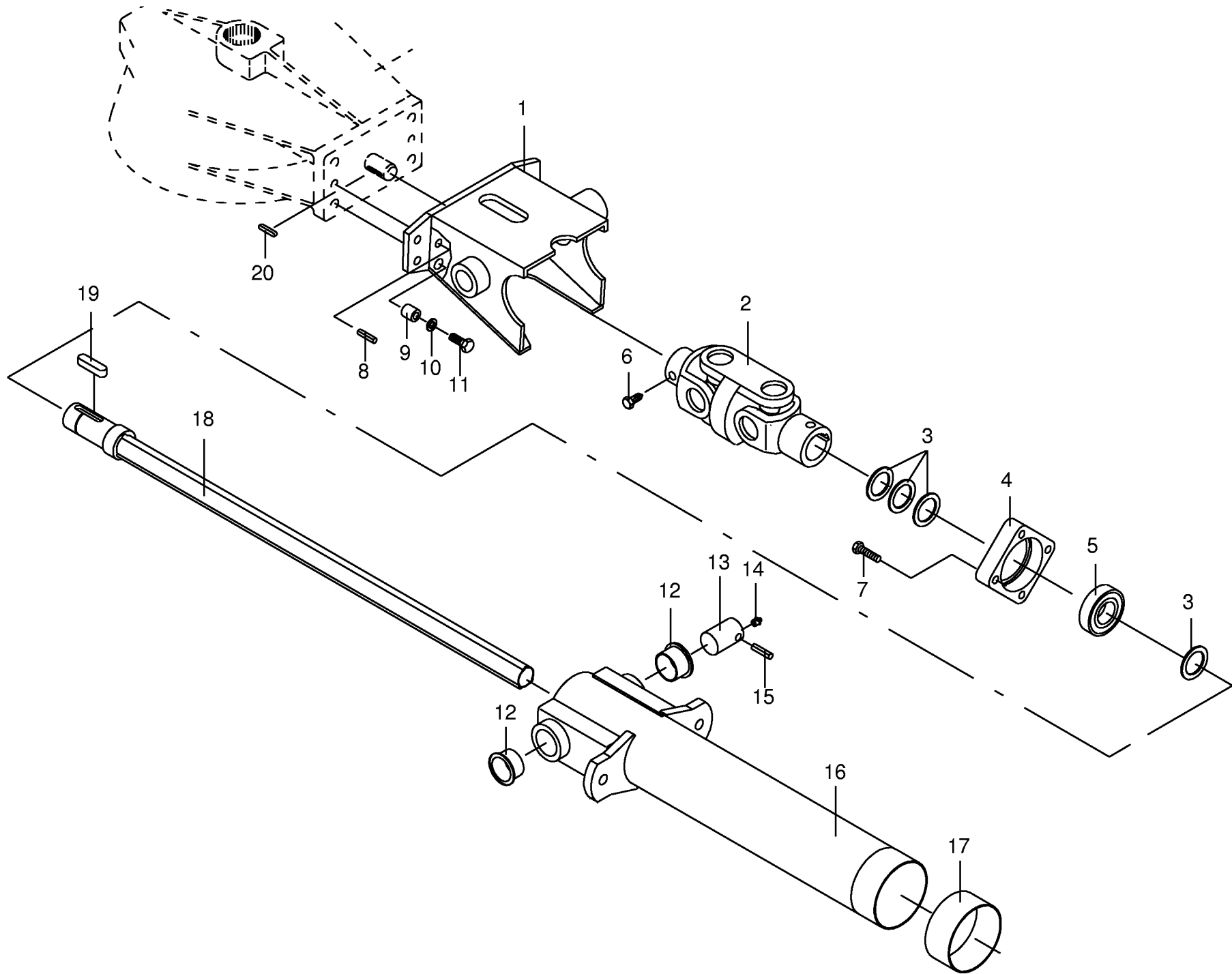
000 001 026 01 / 6.0

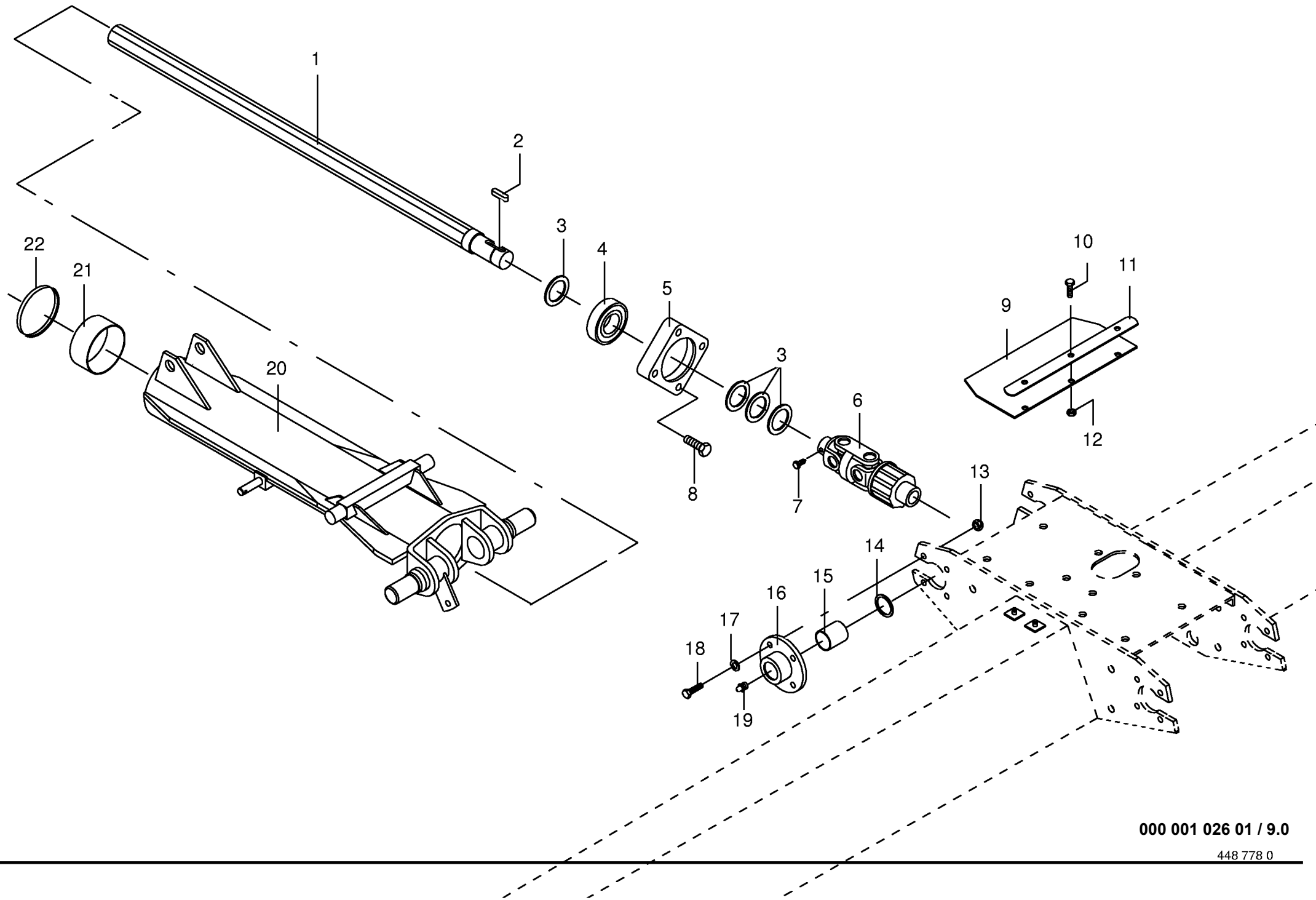
448 672 0



000 001 026 01 / 7.0

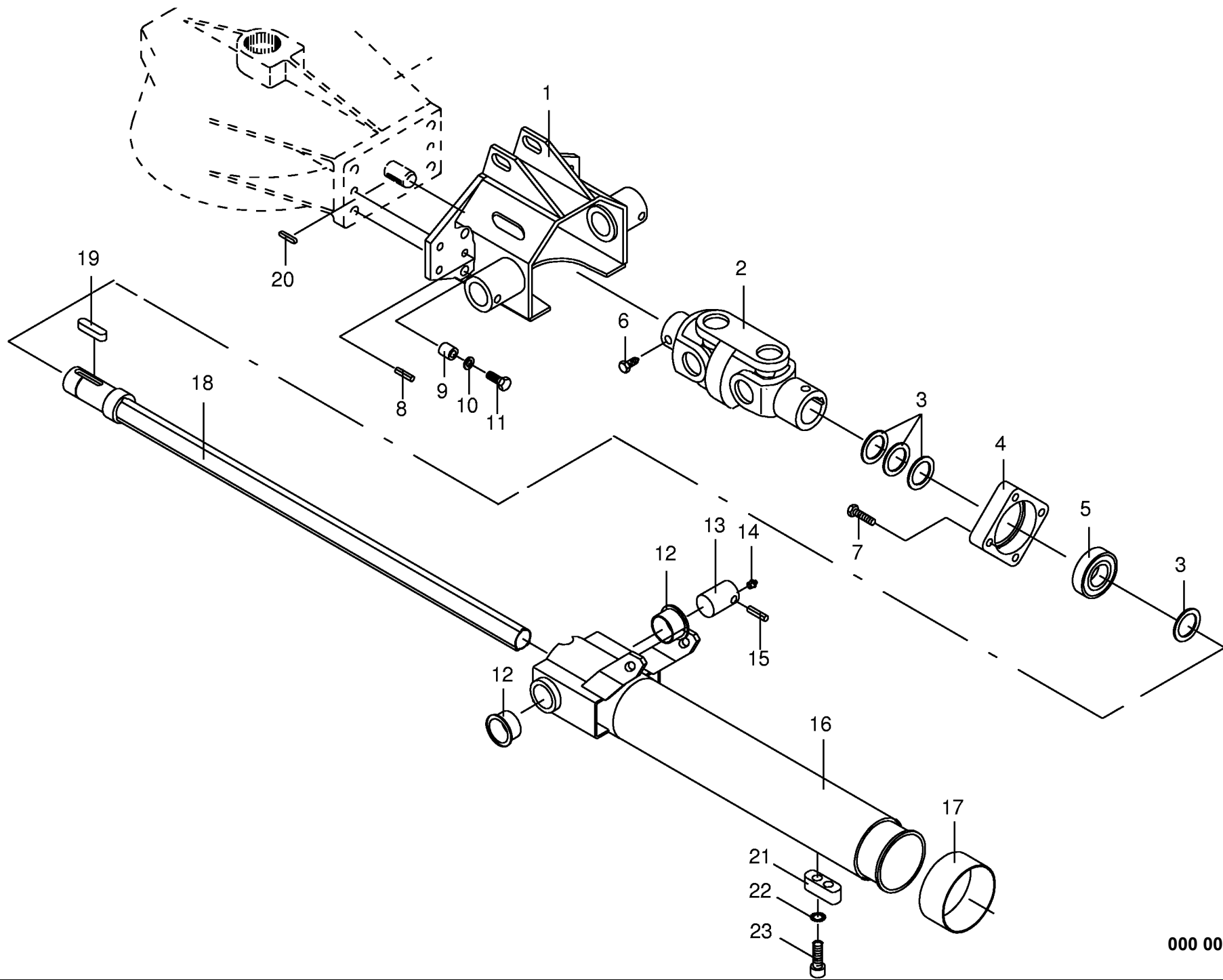
448 686 2

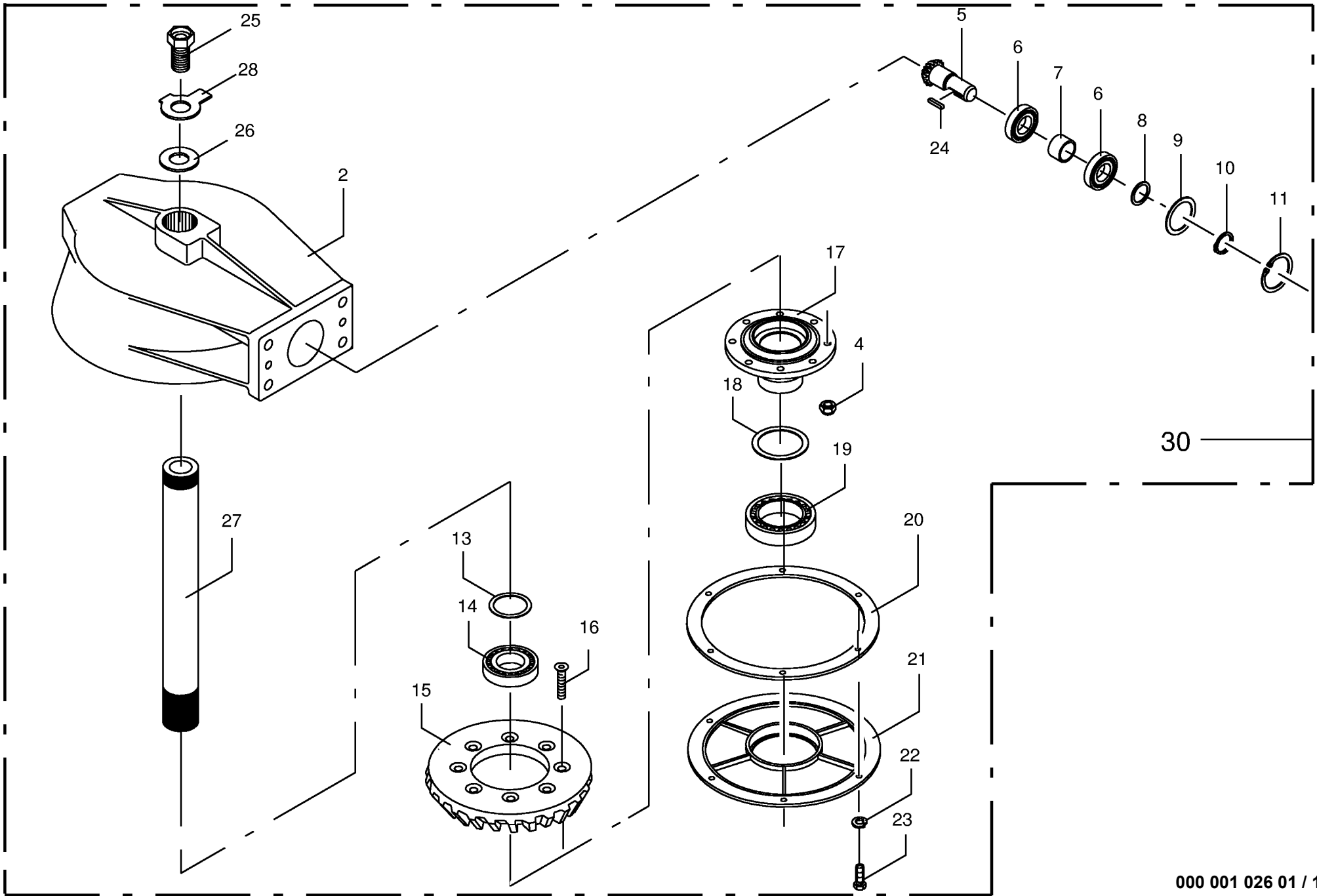




000 001 026 01 / 9.0

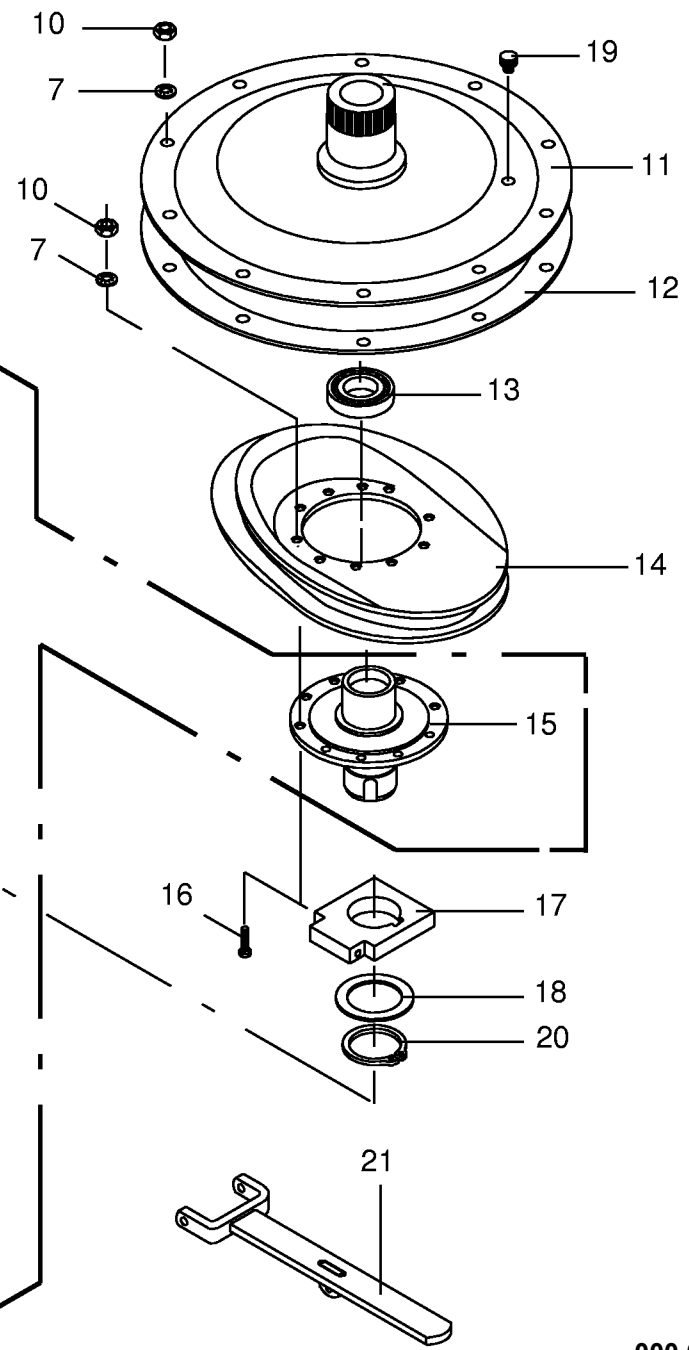
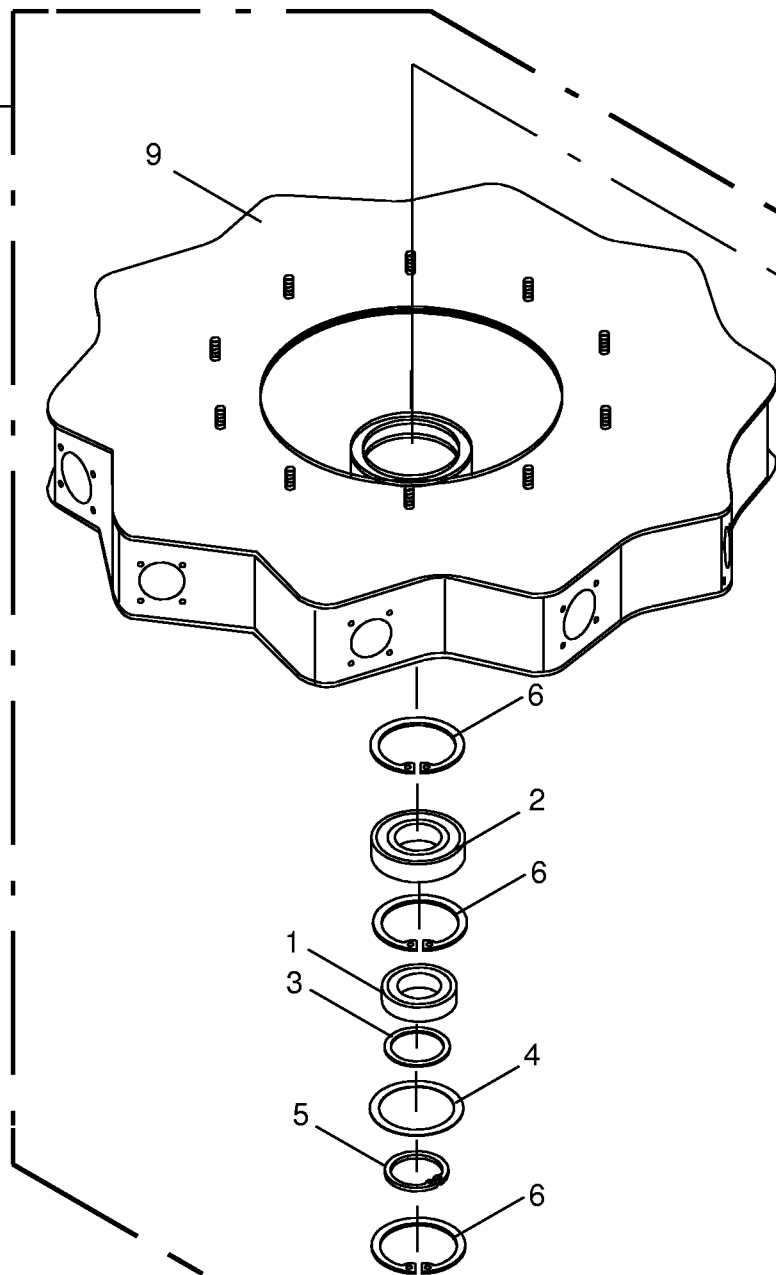
448 778 0





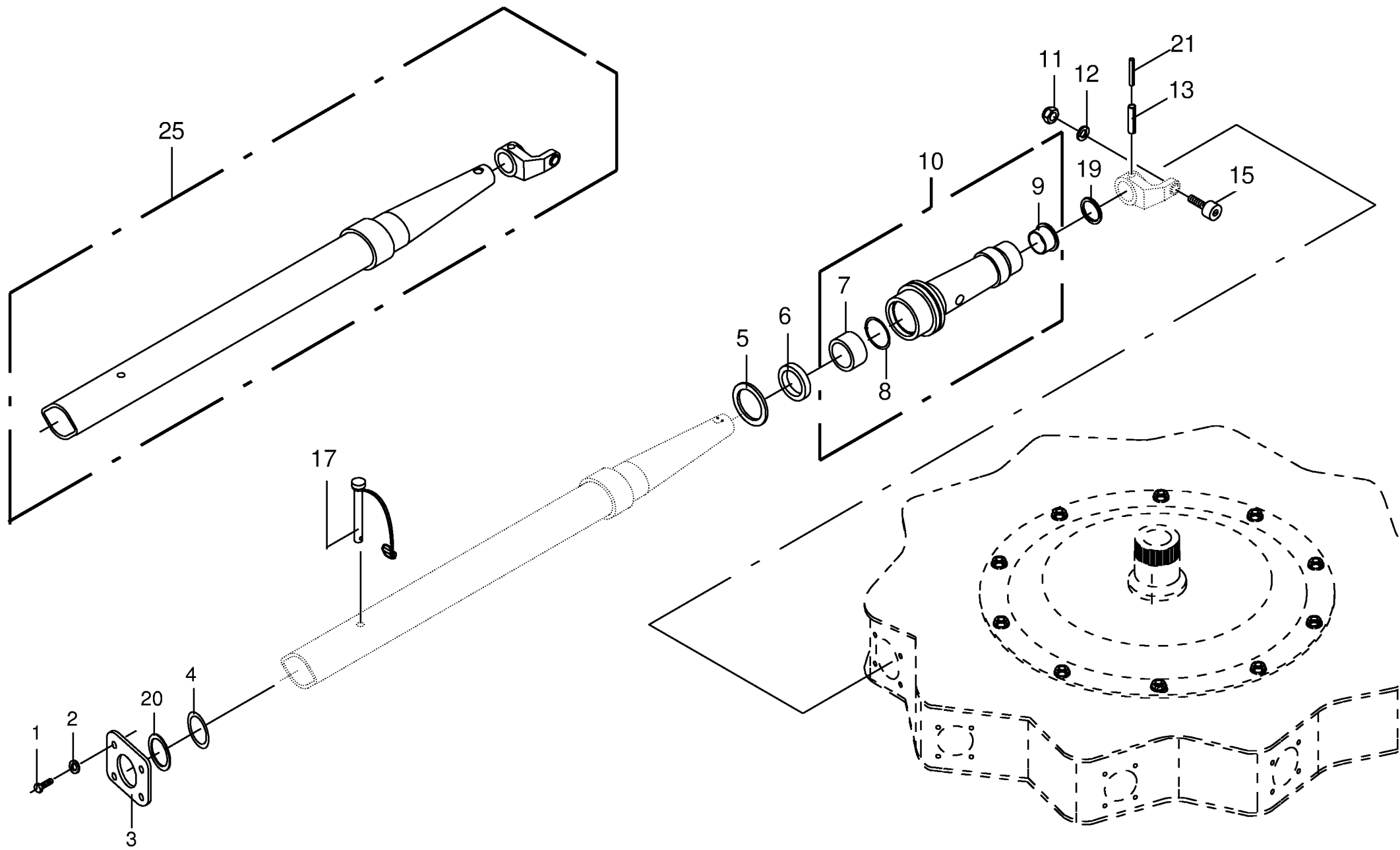
000 001 026 01 / 11.0

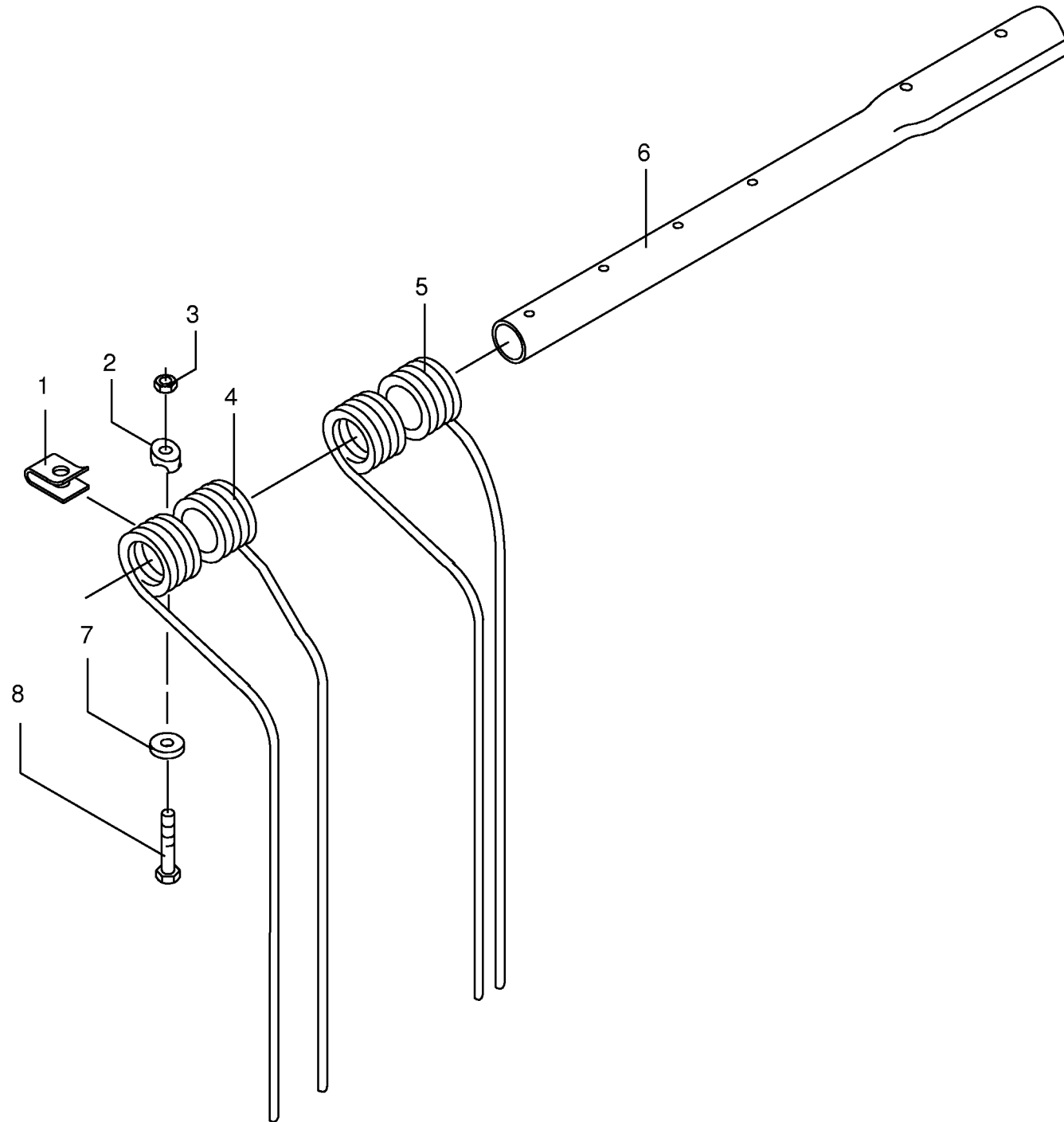
22

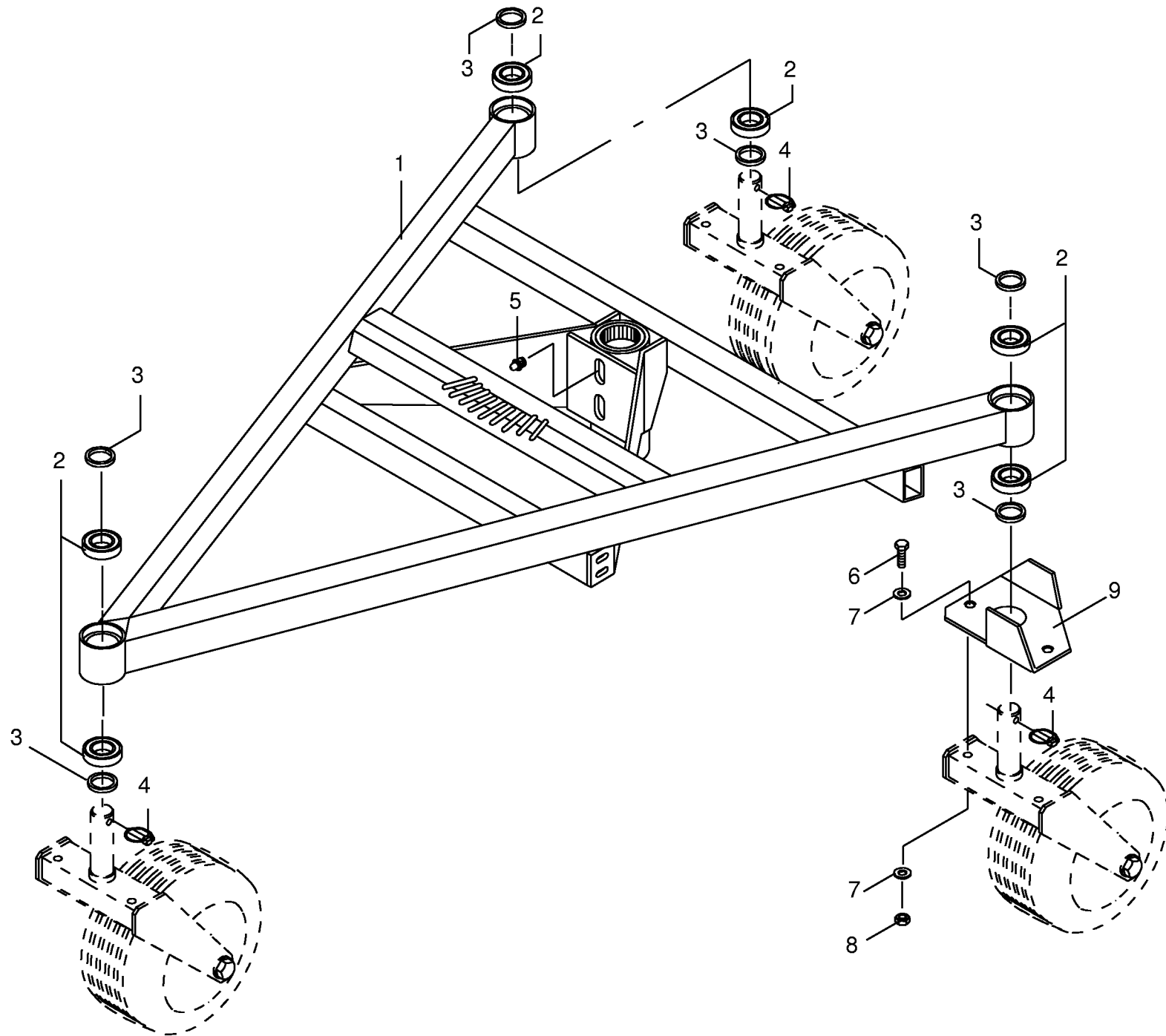


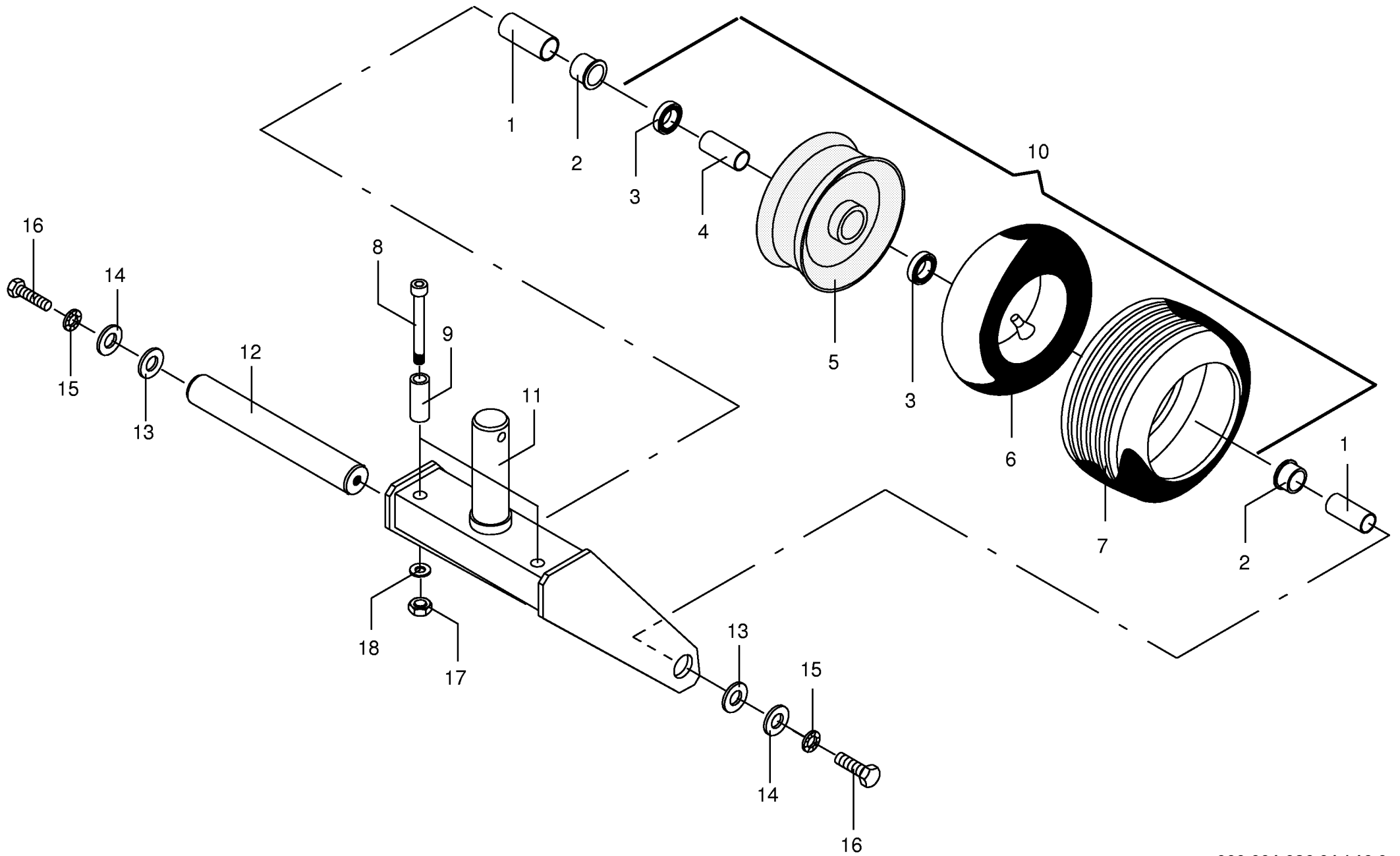
000 001 026 01 / 12.0

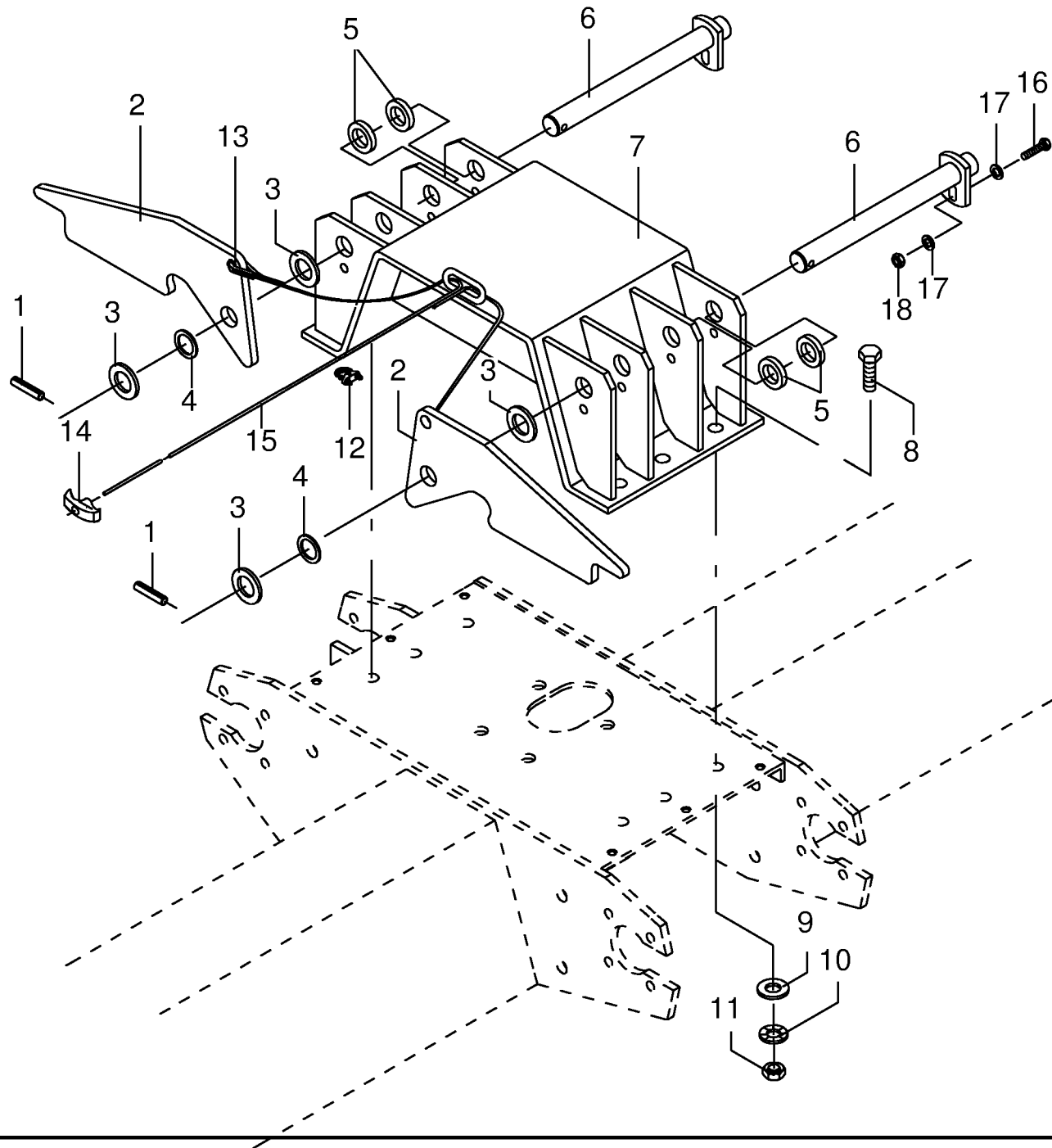
448 684 1

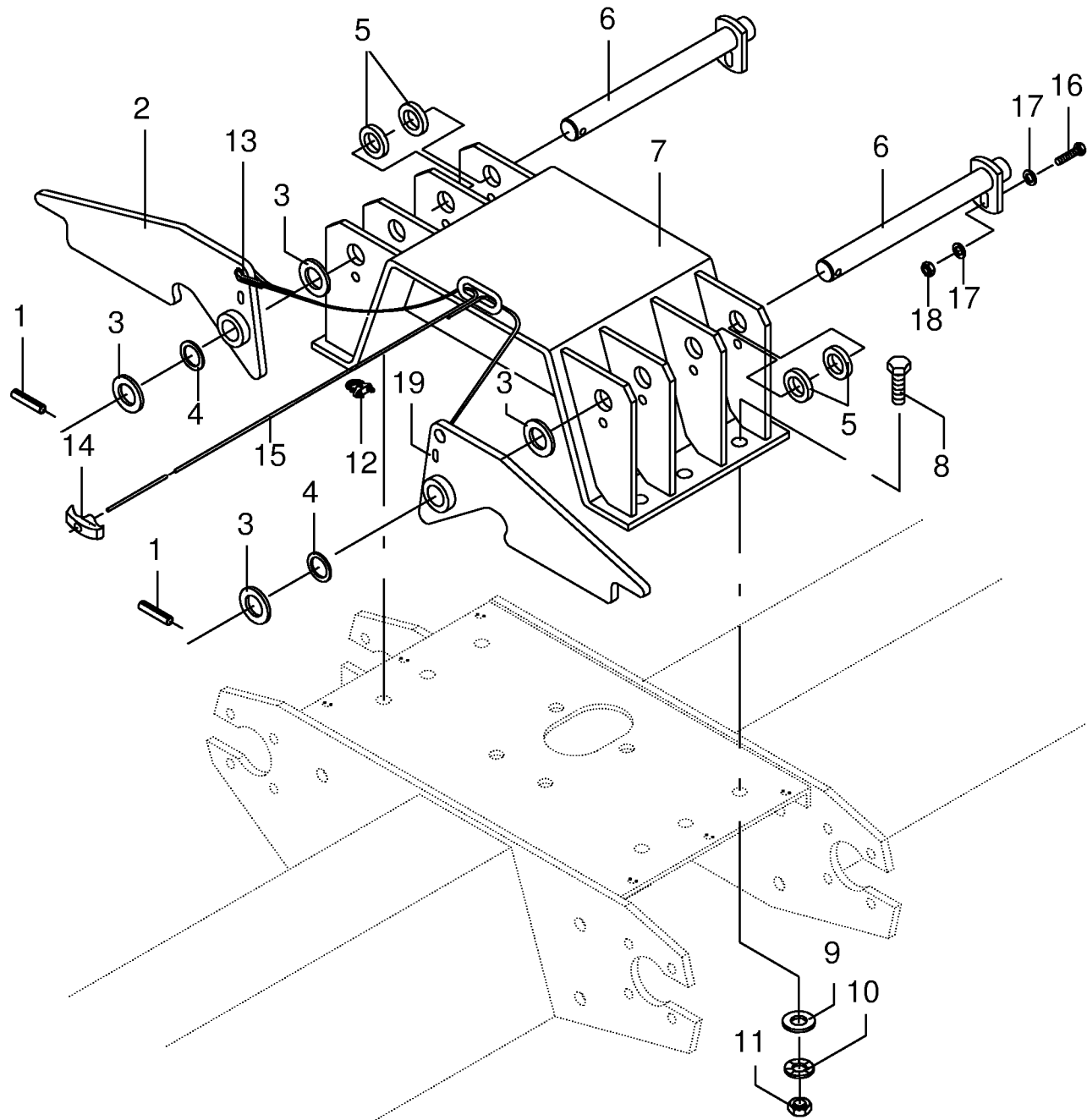


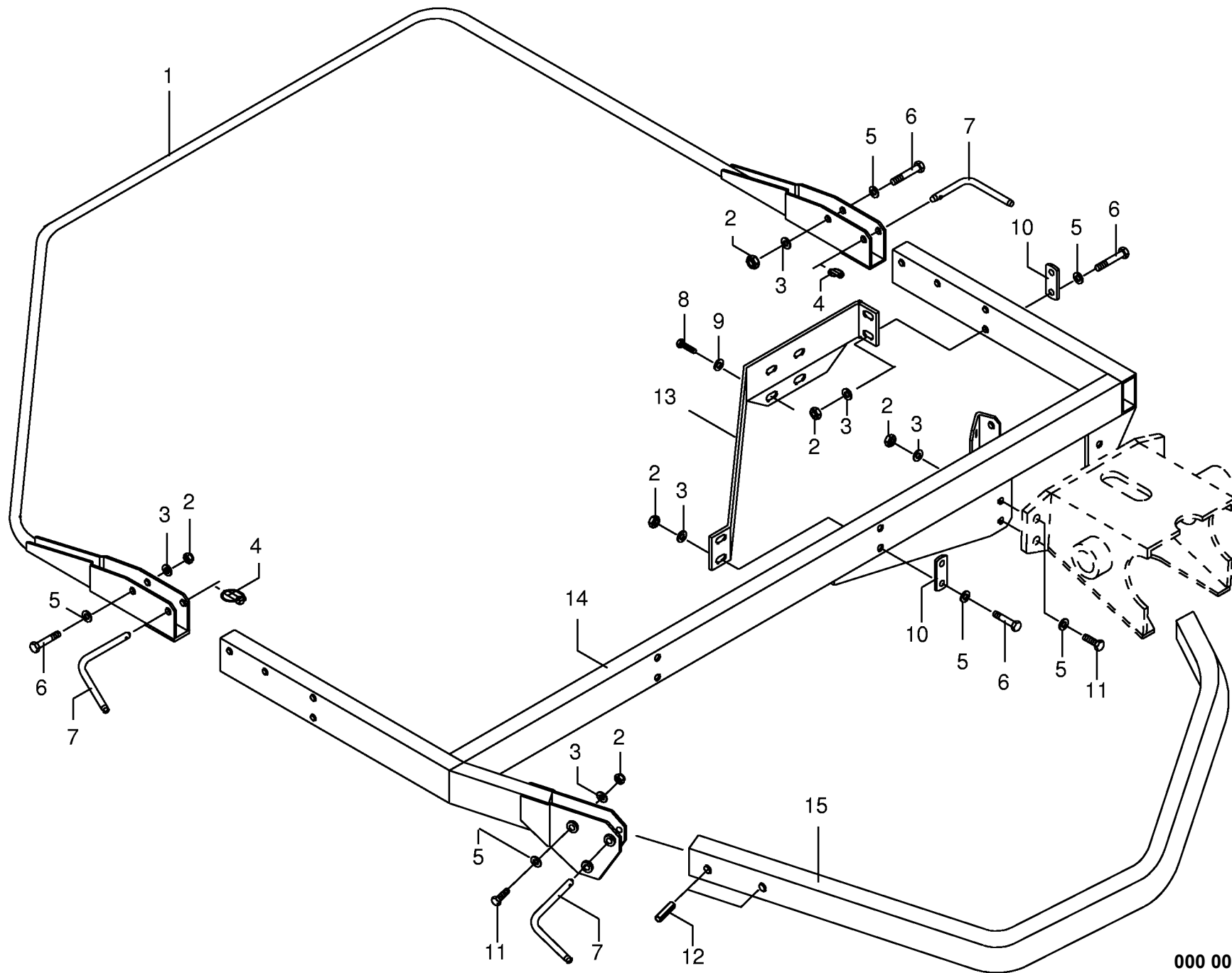




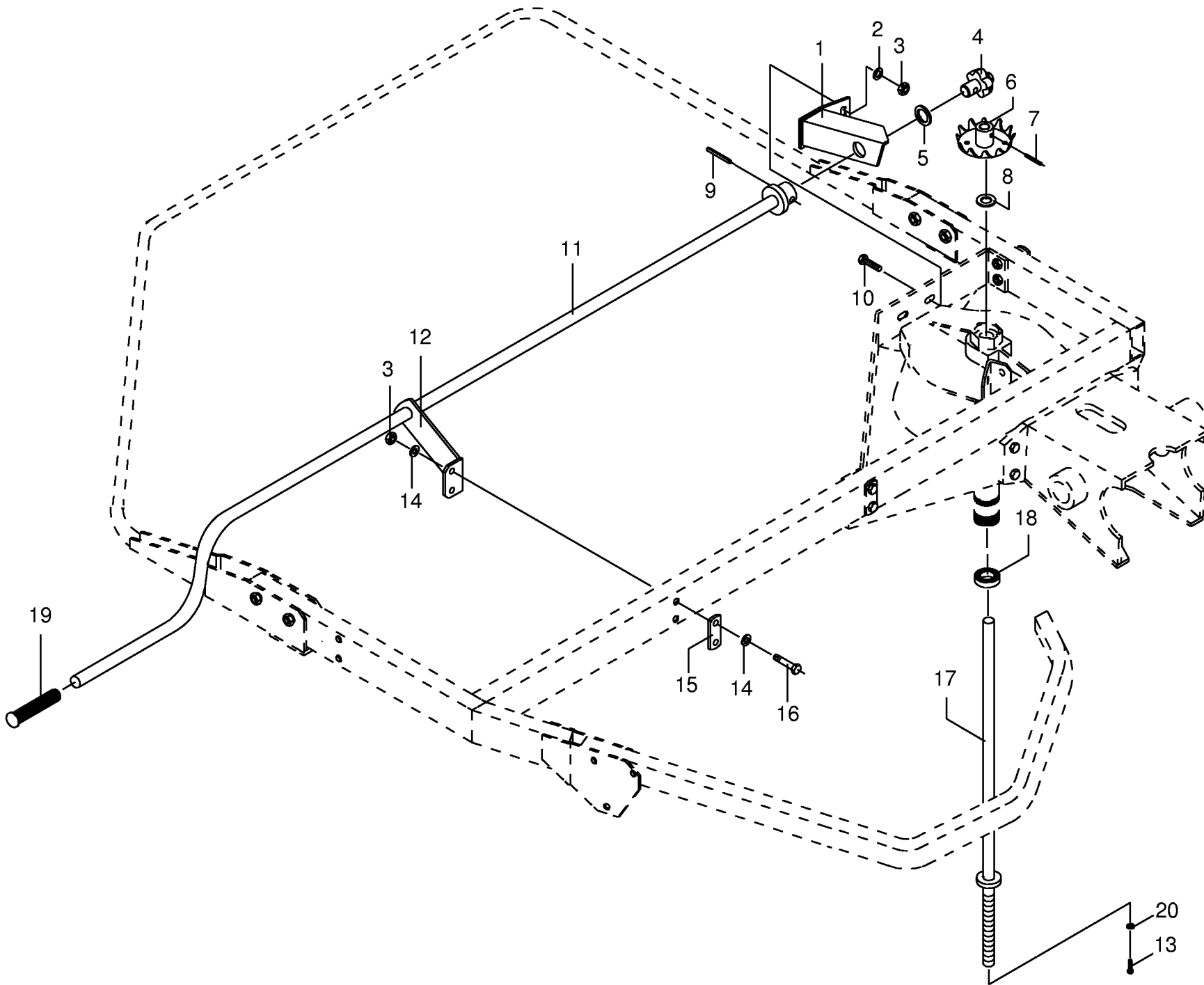






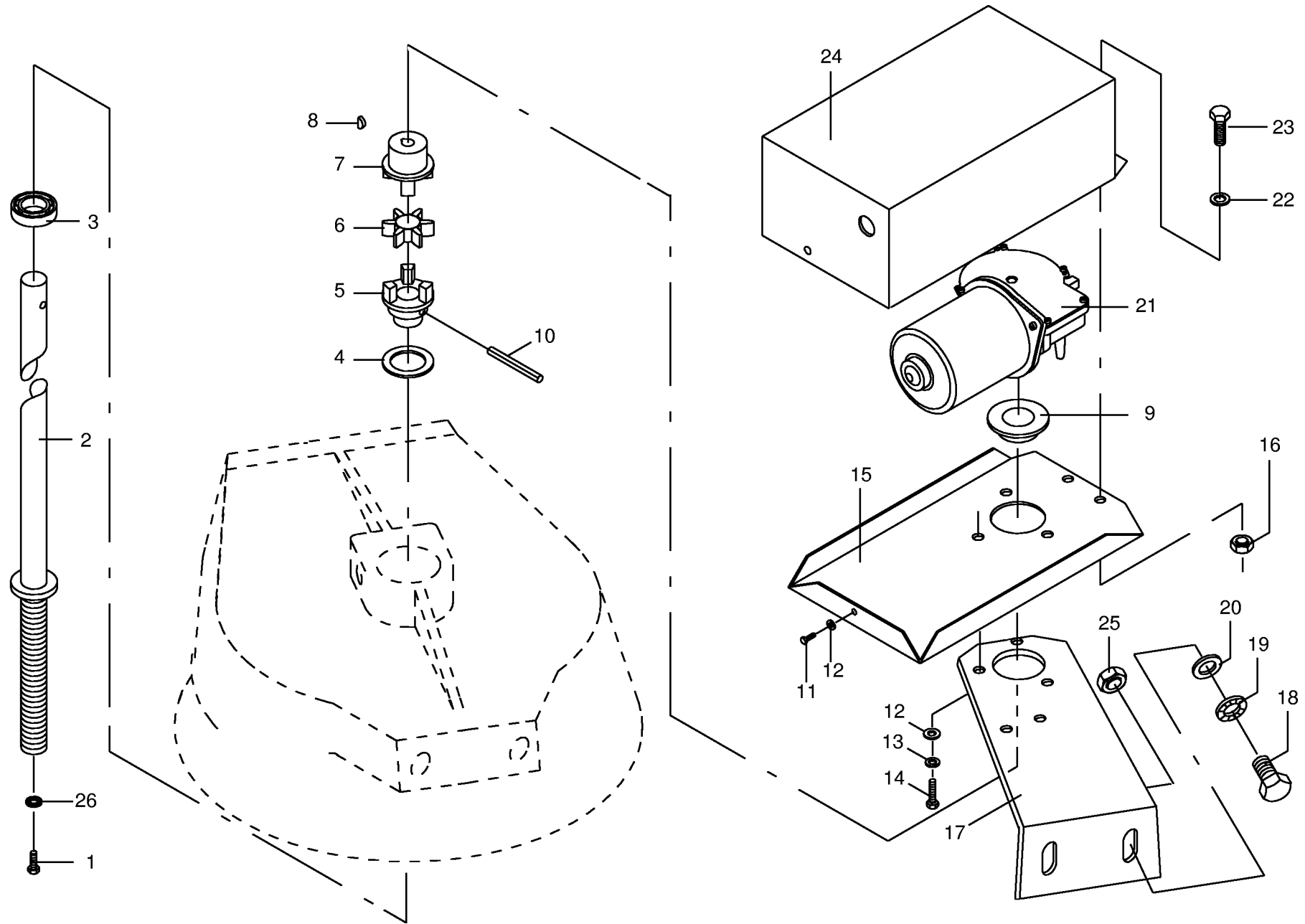


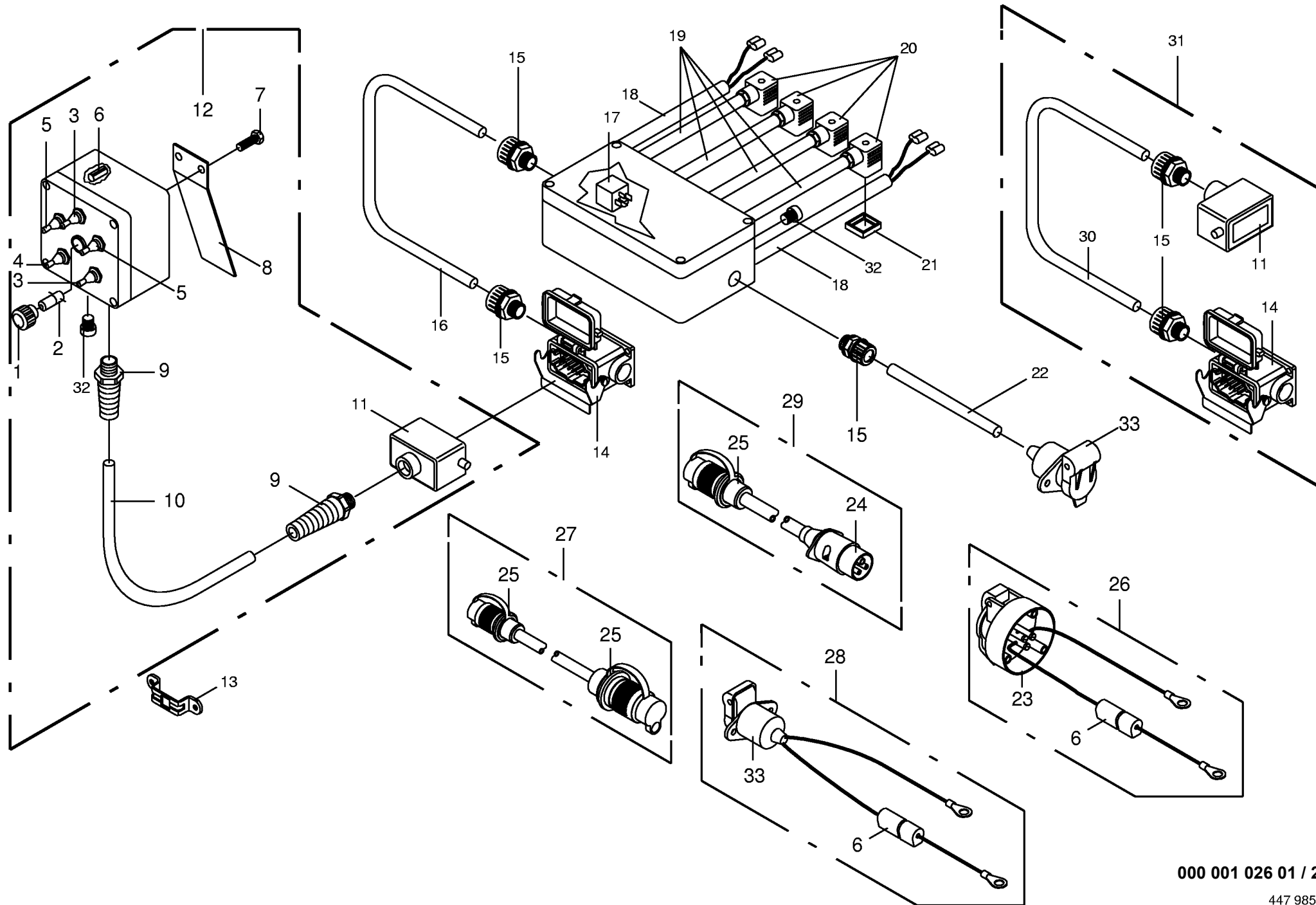
000 001 026 01 / 18.0



000 001 026 01 / 19.0

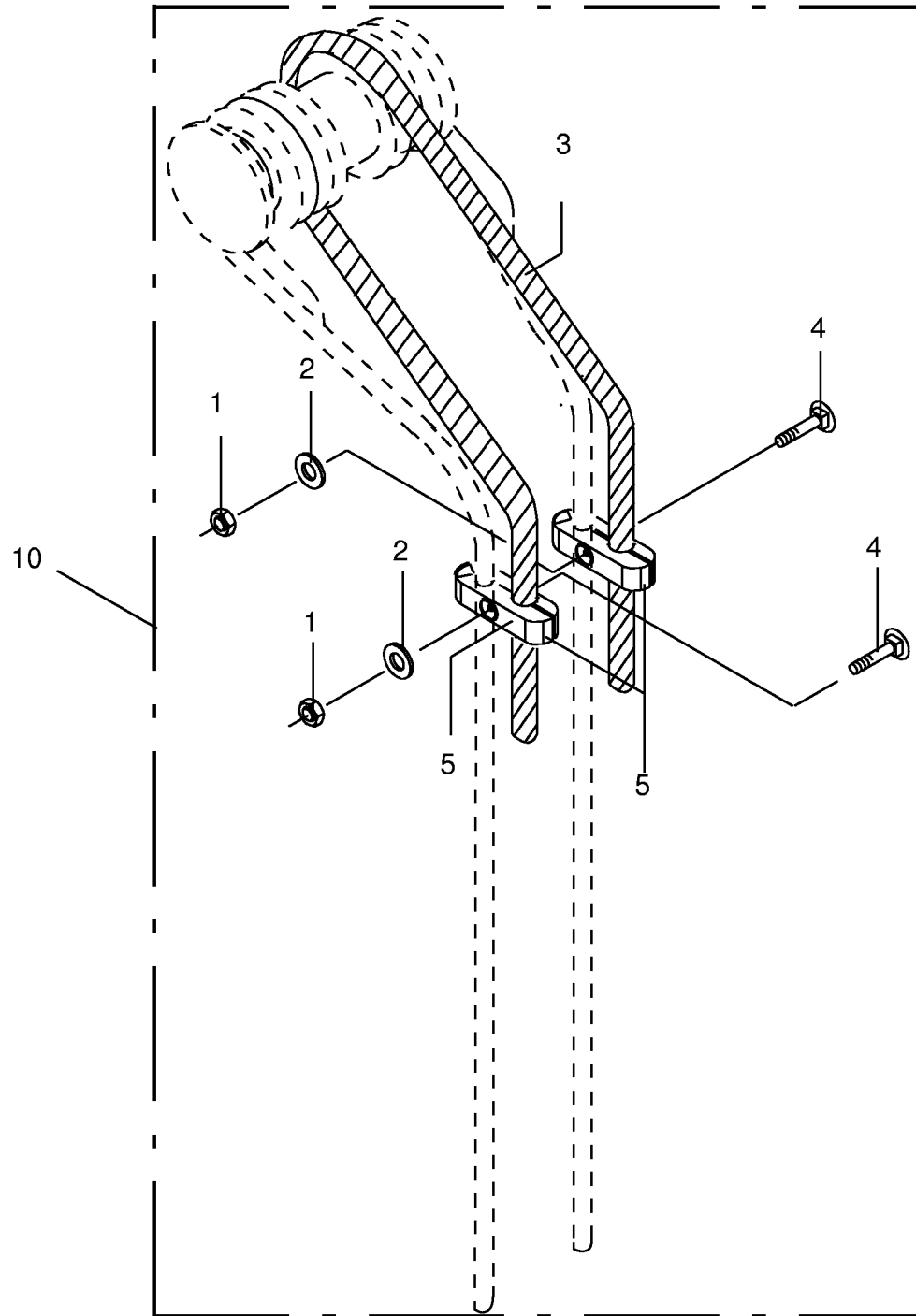
448 698 1





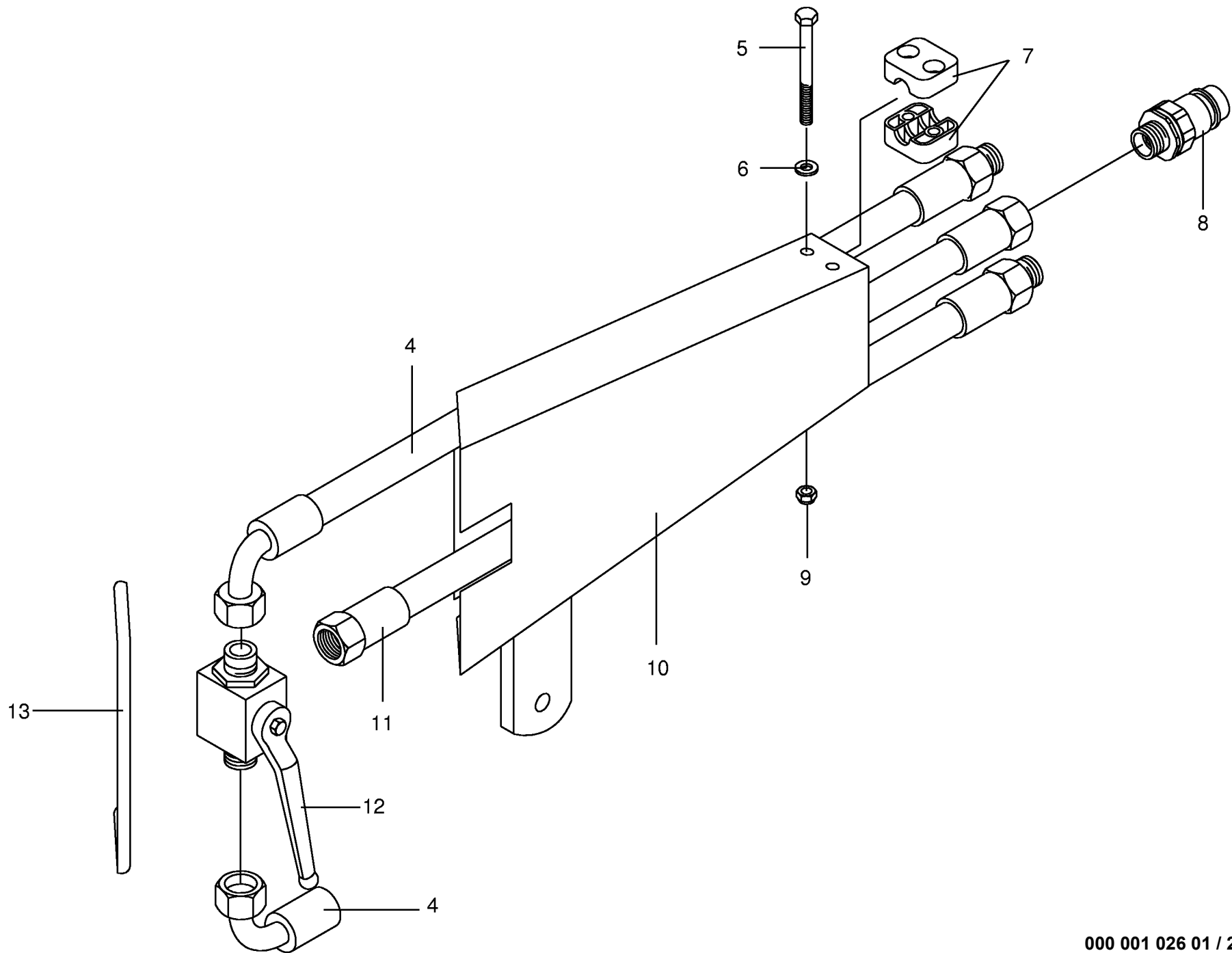
000 001 026 01 / 21.0

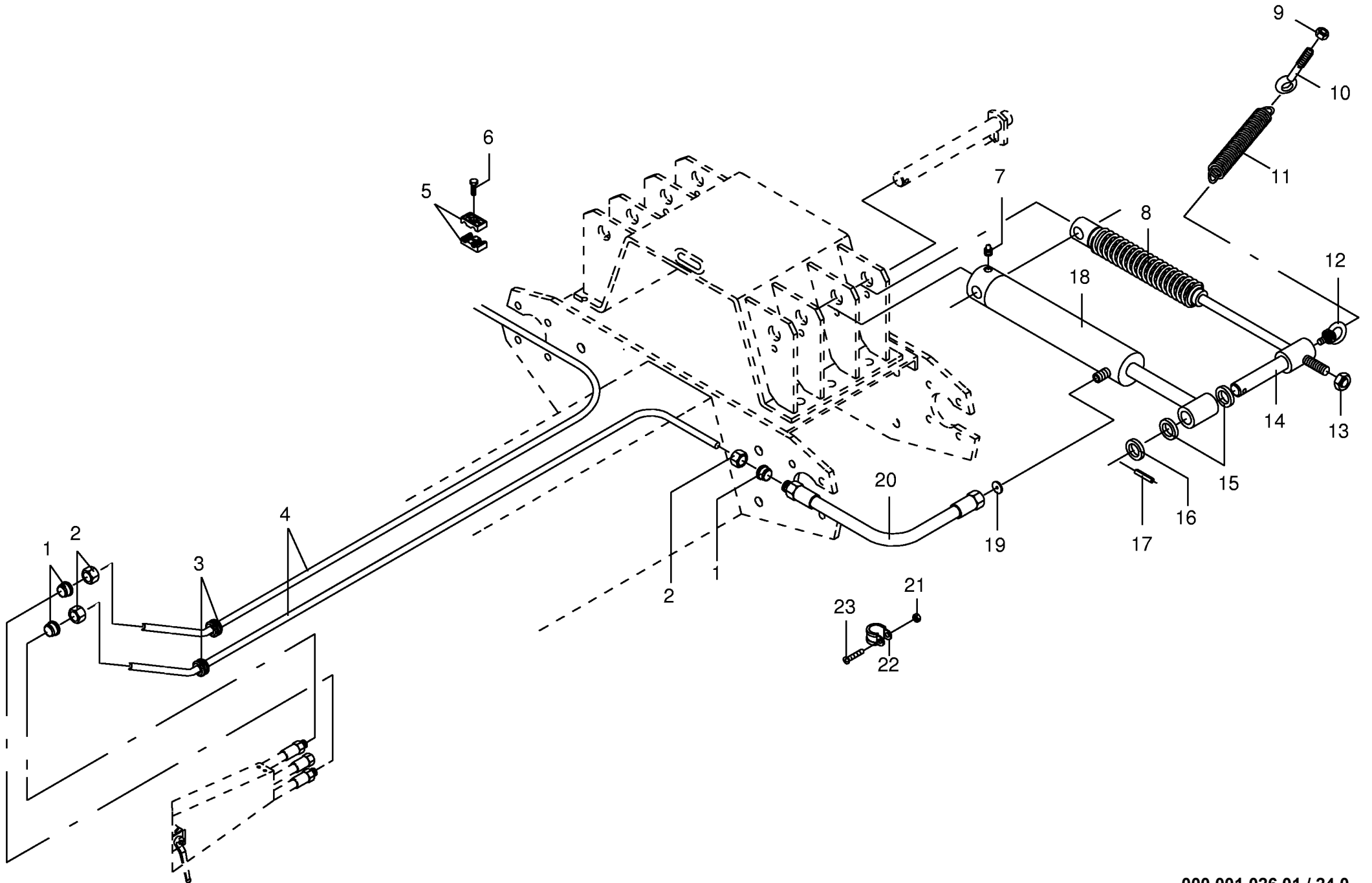
447 985 2

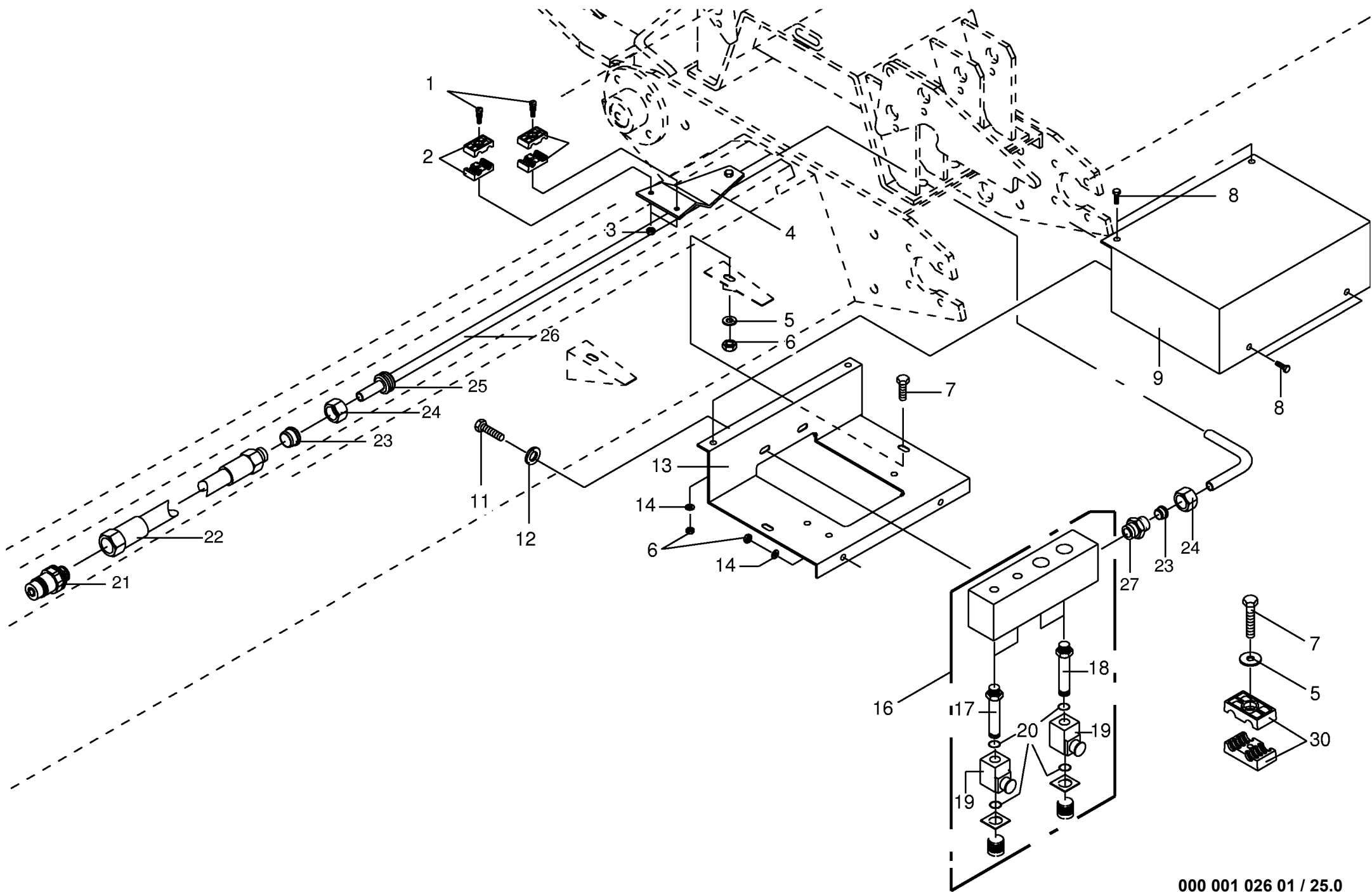


000 001 026 01 / 22.0

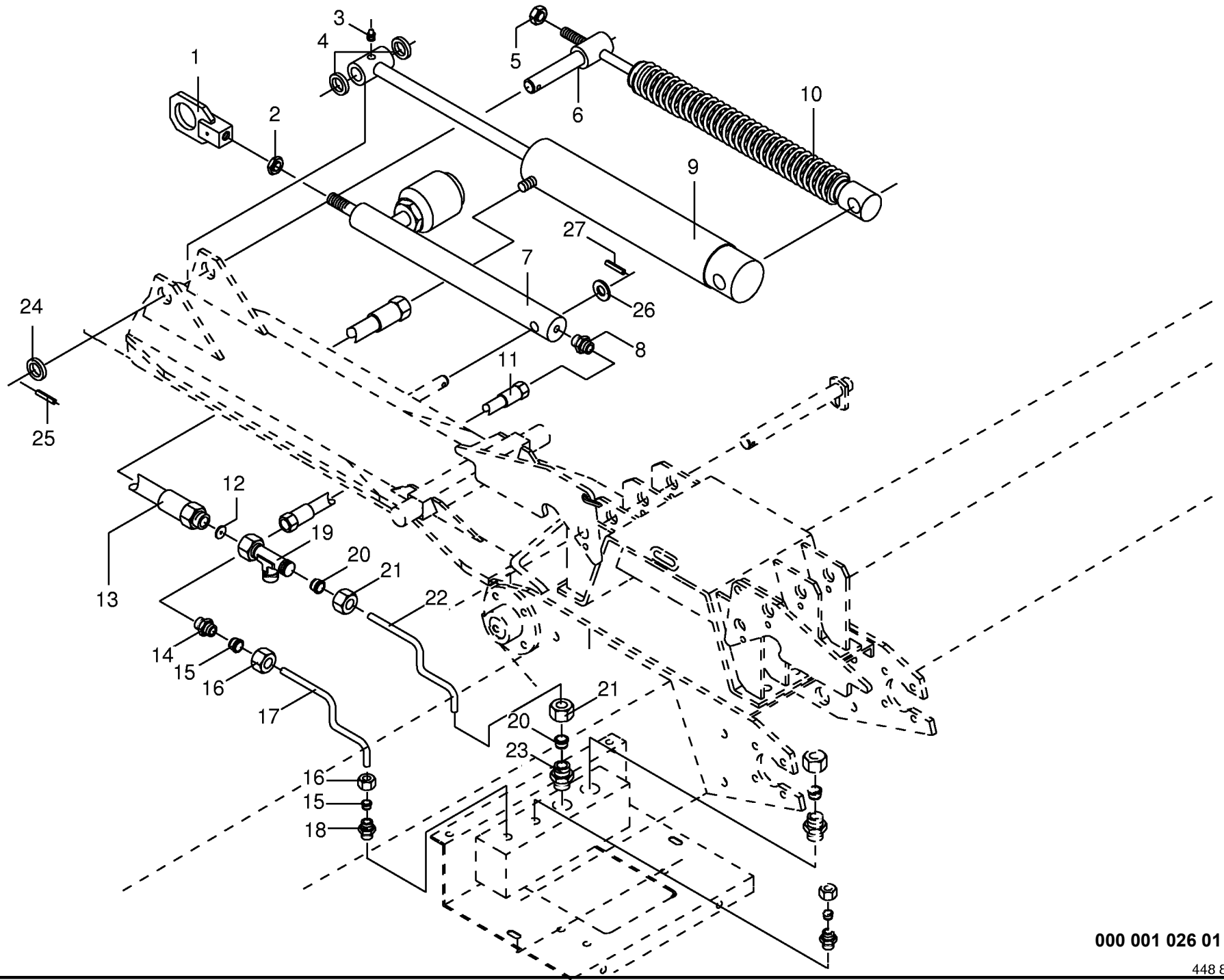
448 476 1

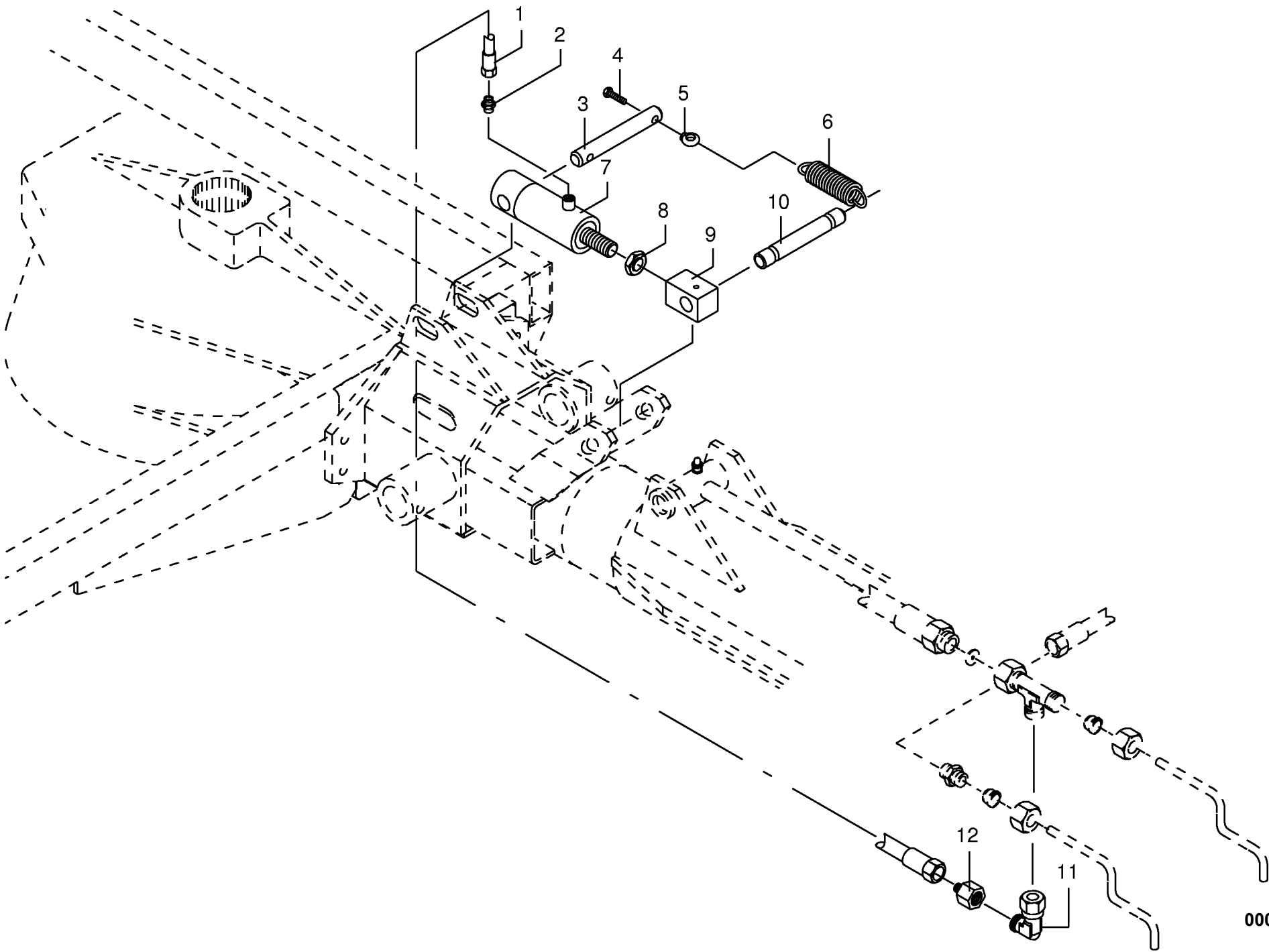




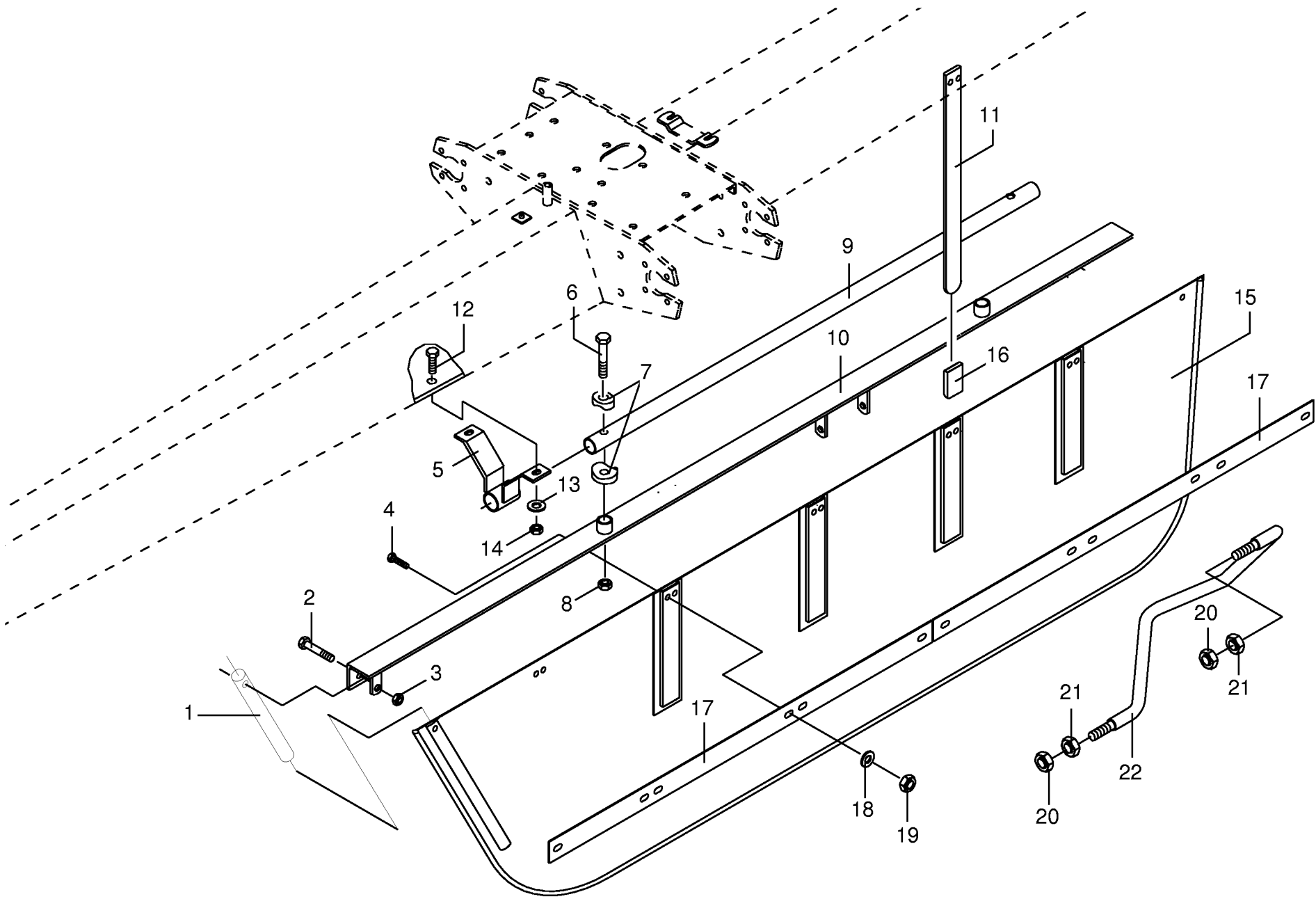


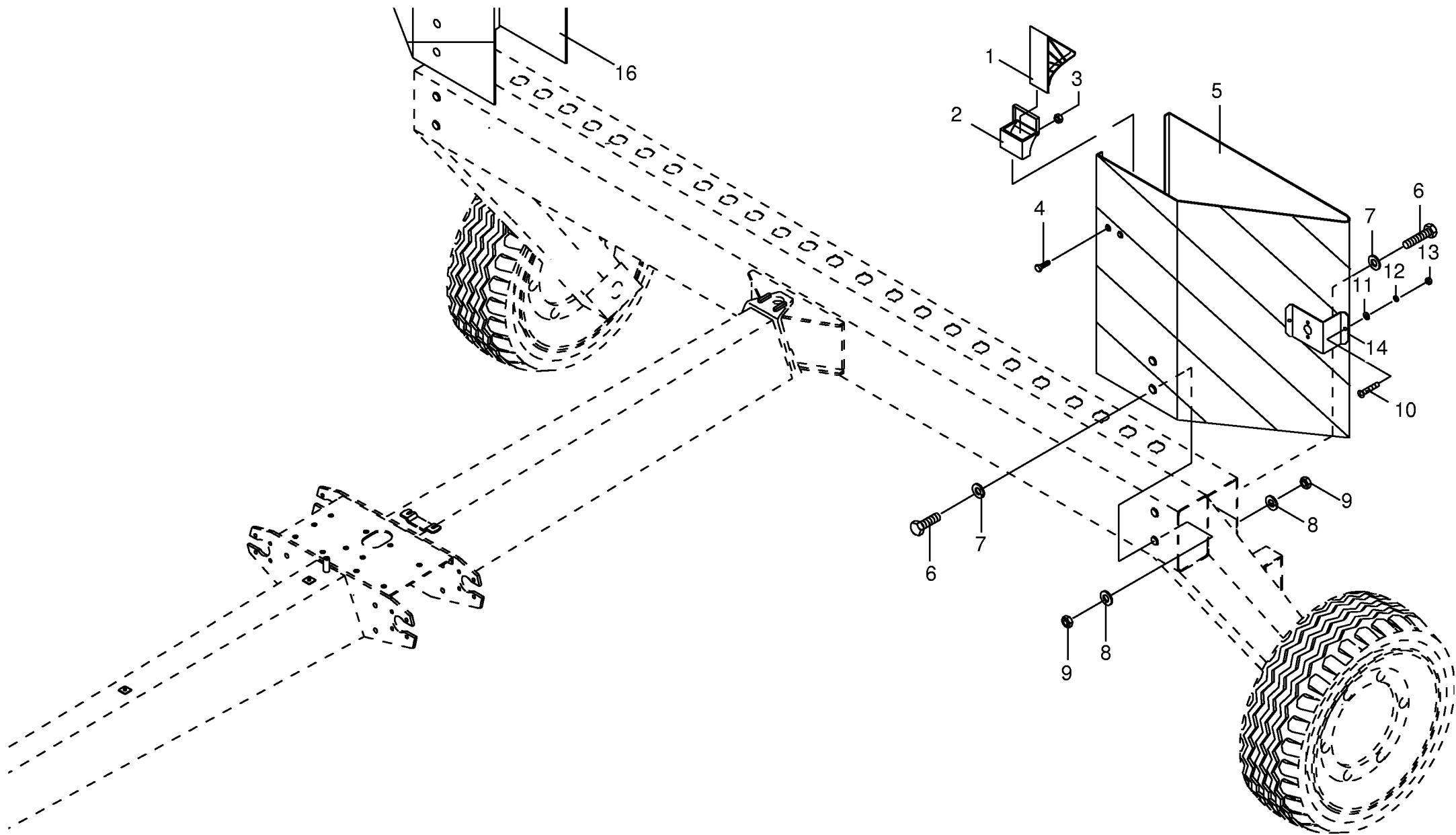
000 001 026 01 / 25.0

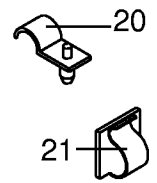
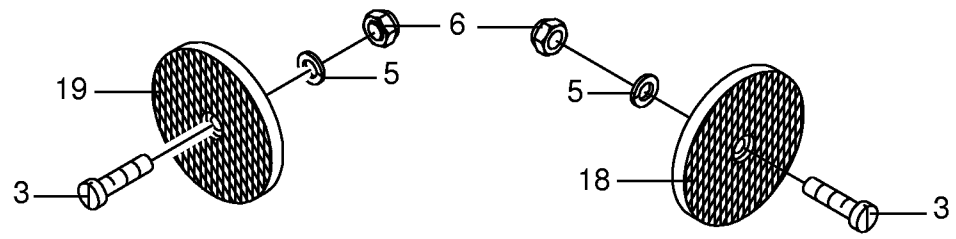
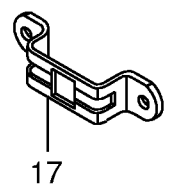
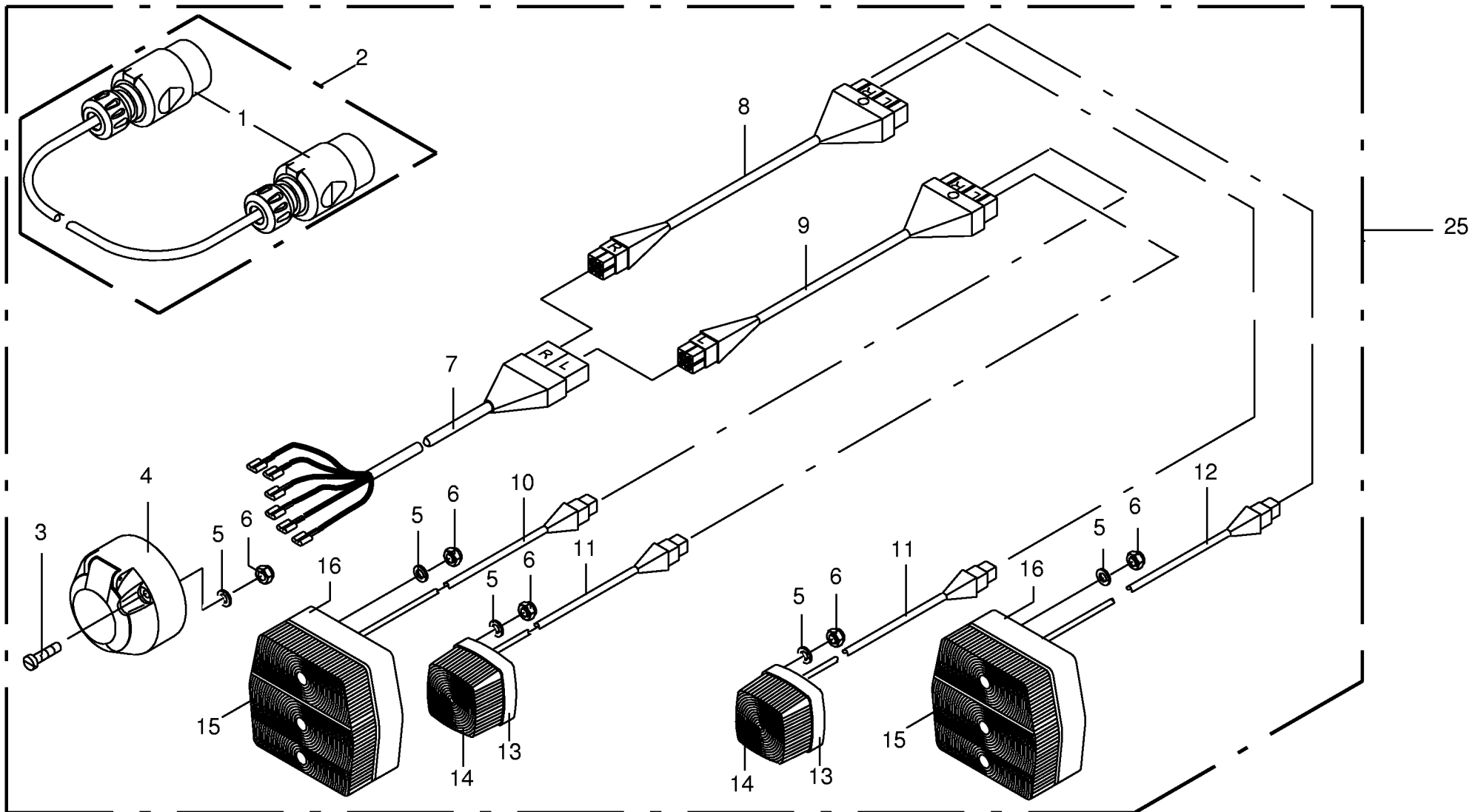




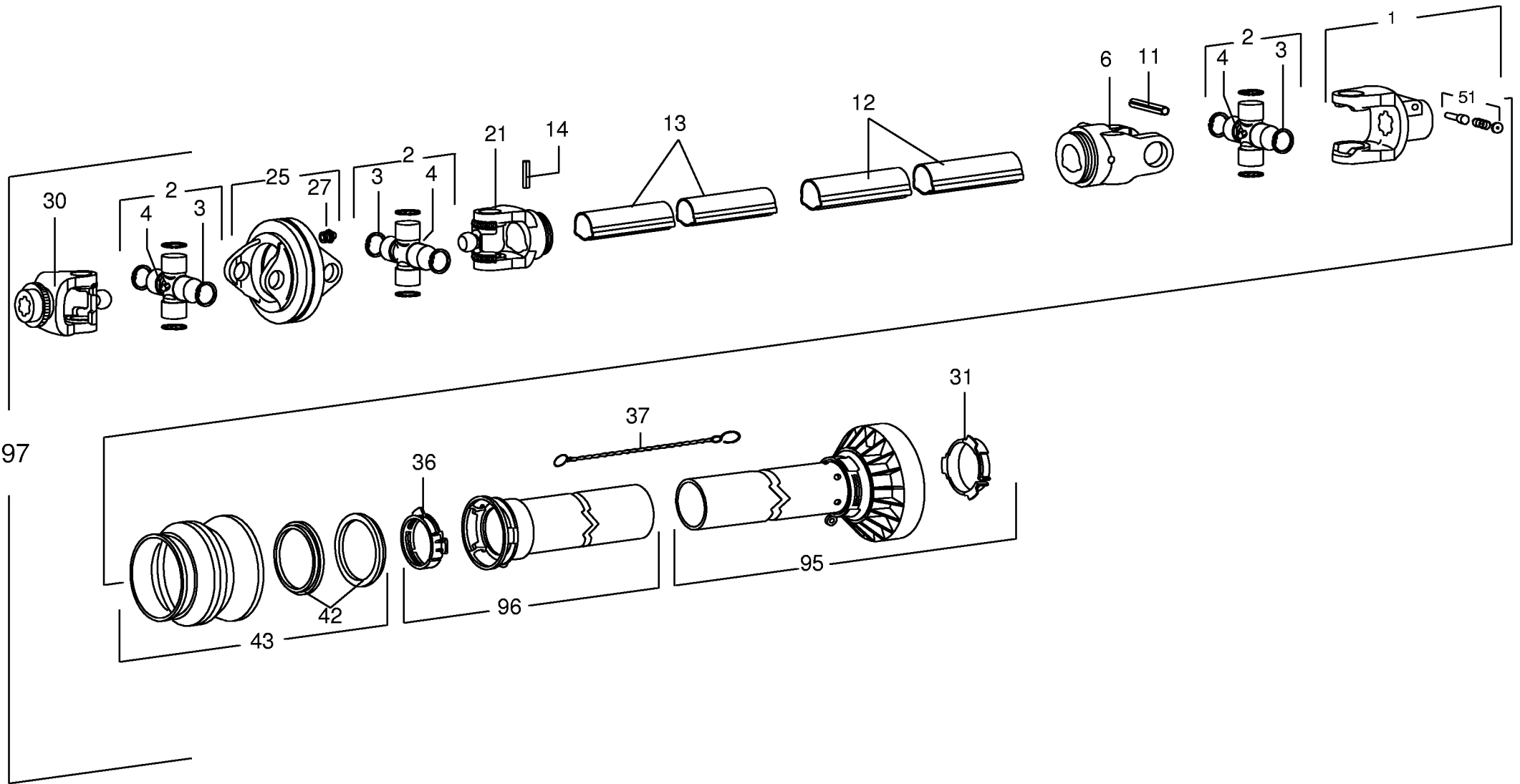
000 001 026 01 / 27.0

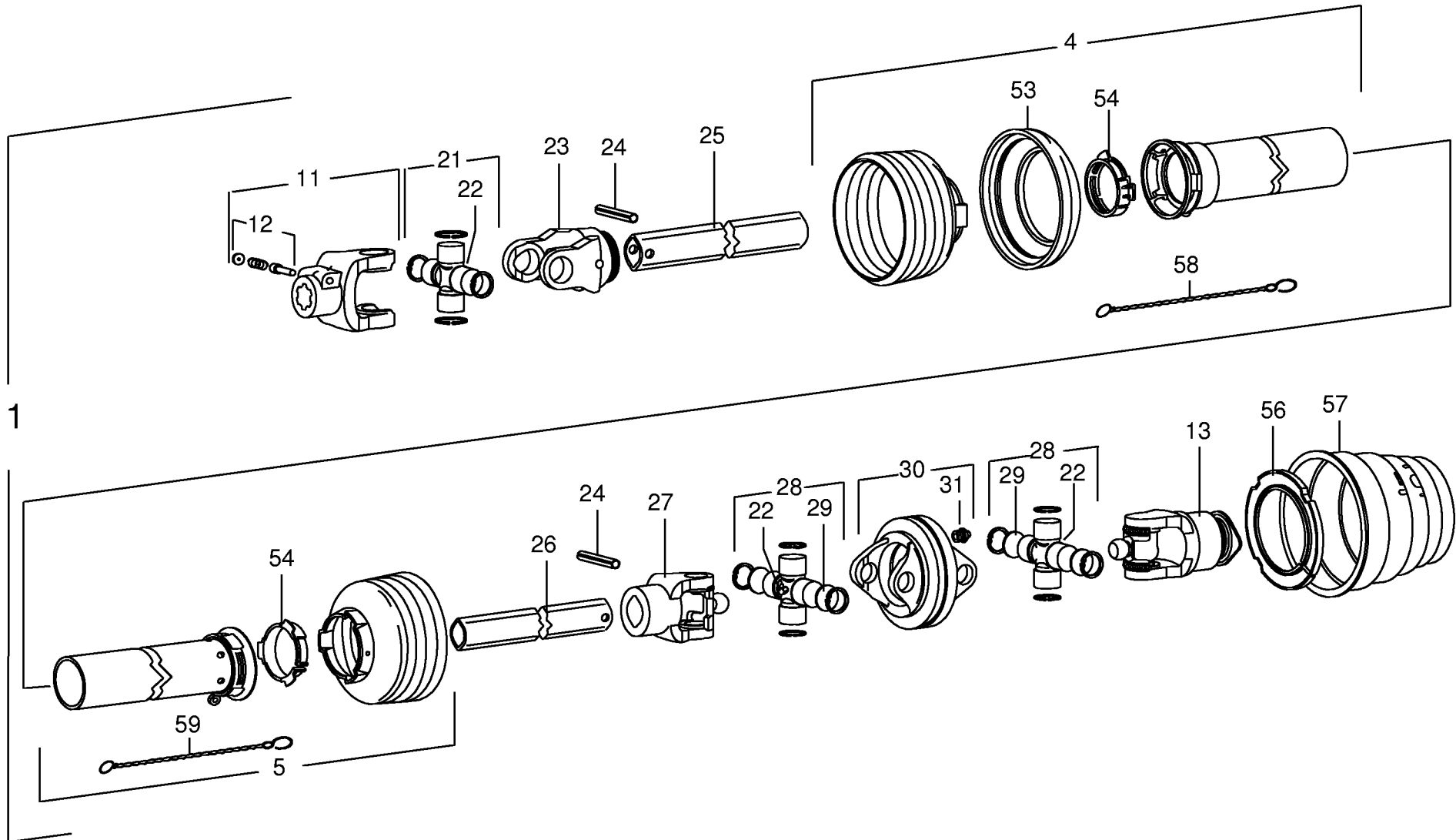


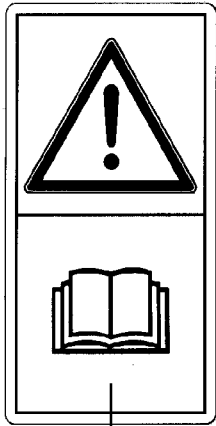




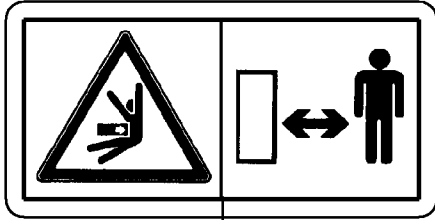
000 001 026 01 / 30.0



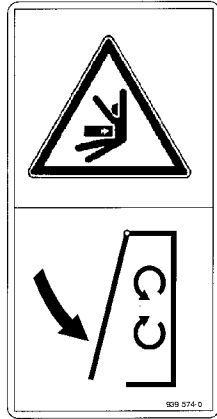




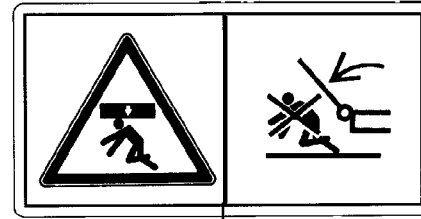
1



2



3



4



5

KS 6.21/20 DUO

1



KRONE

2



3

15 bar

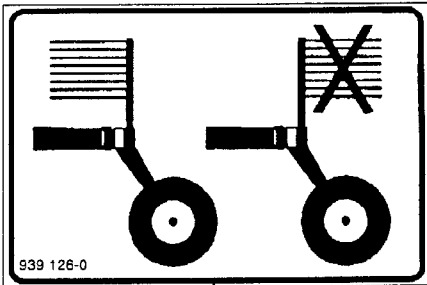
4



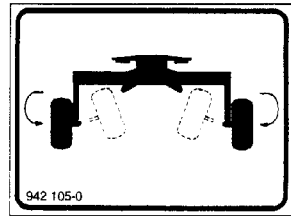
5



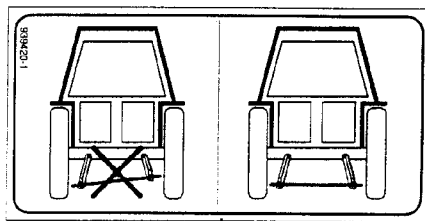
6



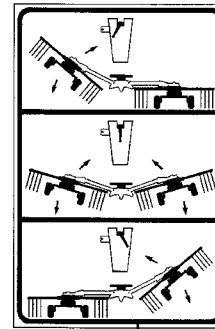
7



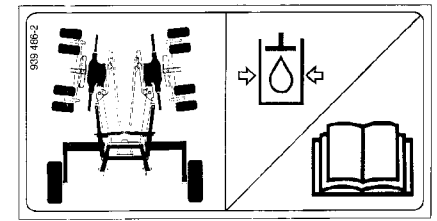
8



9



10



11

ID-NR.	TAFEL	POS.	ID-NR.	TAFEL	POS.	ID-NR.	TAFEL	POS.	ID-NR.	TAFEL	POS.	ID-NR.	TAFEL	POS.
ID-NO.	DIAG.	POS.	ID-NO.	DIAG.	POS.	ID-NO.	DIAG.	POS.	ID-NO.	DIAG.	POS.	ID-NO.	DIAG.	POS.
00 015 066 0	15.0	3	00 154 496 0	20.0	15	00 265 230 0	2.0	20	00 265 340 0	29.0	14	00 265 534 0	7.0	5
00 045 505 0	26.0	17	00 154 566 0	1.0	10	00 265 240 1	3.0	1	00 265 344 0	24.0	8	00 265 534 0	8.0	4
00 045 506 0	25.0	26	00 154 686 0	7.0	16	00 265 245 0	2.0	2	00 265 344 0	26.0	10	00 265 534 0	9.0	5
00 045 506 0	26.0	22	00 154 686 0	9.0	16	00 265 247 0	7.0	20	00 265 348 0	24.0	14	00 265 534 0	10.0	4
00 139 621 1	19.0	4	00 154 688 0	3.0	18	00 265 268 0	7.0	5	00 265 348 0	26.0	6	00 265 542 0	7.0	1
00 144 345 2	3.0	21	00 154 874 0	7.0	1	00 265 268 0	8.0	4	00 265 357 0	11.0	30	00 265 542 0	9.0	1
00 144 615 2	1.0	8	00 154 874 0	9.0	1	00 265 268 0	9.0	5	00 265 365 0	18.0	13	00 265 543 0	8.0	18
00 144 891 3	6.0	1	00 154 875 0	8.0	18	00 265 268 0	10.0	4	00 265 366 0	18.0	13	00 265 543 0	10.0	18
00 145 212 0	4.0	27	00 154 875 0	10.0	18	00 265 269 0	7.0	25	00 265 369 0	18.0	14	00 265 646 0	2.0	29
00 145 215 3	4.0	12	00 154 995 0	13.0	17	00 265 269 0	9.0	21	00 265 370 0	18.0	14	00 265 649 0	2.0	26
00 146 976 2	4.0	26	00 155 492 0	8.0	13	00 265 270 0	8.0	17	00 265 380 0	18.0	1	00 265 709 0	27.0	6
00 146 984 0	4.0	15	00 155 492 0	10.0	13	00 265 270 0	10.0	17	00 265 381 0	18.0	1	00 271 388 1	8.0	9
00 146 985 0	4.0	2	00 155 604 0	1.0	18	00 265 271 0	7.0	21	00 265 386 0	18.0	10	00 271 388 1	10.0	9
00 153 003 0	11.0	5	00 155 605 0	1.0	15	00 265 272 0	7.0	9	00 265 386 0	19.0	15	00 281 099 0	17.0	5
00 153 004 0	11.0	15	00 155 621 0	1.0	22	00 265 272 0	9.0	9	00 265 387 0	18.0	15	00 281 099 0	17.1	5
00 153 021 0	14.0	2	00 155 622 0	1.0	26	00 265 273 0	7.0	11	00 265 388 0	29.0	5	00 281 099 0	24.0	15
00 153 021 0	28.0	7	00 260 468 0	1.0	4	00 265 273 0	9.0	11	00 265 389 0	29.0	16	00 281 099 0	26.0	4
00 153 088 0	2.0	23	00 260 470 0	1.0	1	00 265 274 0	8.0	1	00 265 390 0	9.0	20	00 301 022 0	21.0	19
00 153 277 0	28.0	17	00 260 600 0	18.0	7	00 265 278 0	11.0	27	00 265 391 0	9.0	20	00 301 058 0	21.0	20
00 153 322 0	11.0	7	00 265 021 0	11.0	2	00 265 281 0	19.0	17	00 265 402 0	10.0	21	00 301 086 2	21.0	16
00 153 479 0	22.0	10	00 265 022 0	11.0	21	00 265 283 0	12.0	17	00 265 403 0	10.0	1	00 301 186 0	21.0	21
00 153 536 0	23.0	10	00 265 023 0	11.0	17	00 265 284 0	12.0	21	00 265 408 0	27.0	3	00 301 200 0	21.0	18
00 153 628 0	11.0	20	00 265 027 0	11.0	25	00 265 286 0	17.0	7	00 265 409 0	27.0	10	00 301 201 0	21.0	4
00 153 860 0	22.0	5	00 265 029 0	11.0	26	00 265 286 0	17.1	7	00 265 410 0	26.0	1	00 301 202 0	21.0	5
00 153 861 0	22.0	3	00 265 038 0	13.0	3	00 265 290 0	17.0	2	00 265 412 0	27.0	9	00 301 204 0	21.0	3
00 154 019 0	4.0	11	00 265 050 0	12.0	14	00 265 291 0	17.0	6	00 265 413 0	20.0	2	00 301 209 0	21.0	26
00 154 077 1	28.0	5	00 265 052 0	12.0	15	00 265 293 0	5.0	3	00 265 414 0	20.0	17	00 301 293 0	21.0	9
00 154 096 0	2.0	14	00 265 061 0	14.0	1	00 265 297 0	8.0	16	00 265 415 0	25.0	4	00 301 338 0	21.0	2
00 154 160 0	4.0	30	00 265 062 0	14.0	4	00 265 301 2	15.0	1	00 265 416 0	10.0	16	00 301 354 0	21.0	1
00 154 170 0	4.0	3	00 265 063 0	14.0	5	00 265 315 0	16.0	11	00 265 423 0	25.0	13	00 301 369 0	21.0	15
00 154 172 0	28.0	9	00 265 064 0	14.0	4	00 265 319 0	16.0	12	00 265 424 0	25.0	9	00 301 554 0	21.0	17
00 154 177 0	28.0	10	00 265 065 0	14.0	5	00 265 320 0	16.0	1	00 265 425 0	15.0	9	00 301 587 0	21.0	11
00 154 241 0	6.0	6	00 265 115 0	30.0	25	00 265 321 0	19.0	11	00 265 426 0	15.0	9	00 301 602 0	21.0	22
00 154 249 0	2.0	4	00 265 162 0	19.0	6	00 265 322 0	19.0	1	00 265 430 0	12.0	22	00 301 745 1	21.0	12
00 154 443 0	2.0	19	00 265 199 0	13.0	10	00 265 323 0	19.0	1	00 265 431 0	12.0	22	00 301 761 0	21.0	6
00 154 453 1	20.0	5	00 265 200 1	12.0	9	00 265 327 0	19.0	12	00 265 435 0	12.0	15	00 301 781 0	21.0	10
00 154 454 1	20.0	7	00 265 204 1	12.0	9	00 265 331 0	28.0	15	00 265 438 0	17.1	2	00 301 782 0	21.0	14
00 154 457 1	20.0	24	00 265 207 0	12.0	11	00 265 332 0	28.0	11	00 265 439 0	17.1	19	00 301 866 0	21.0	31
00 154 461 0	6.0	13	00 265 209 0	12.0	12	00 265 333 0	28.0	1	00 265 442 0	17.1	6	00 301 867 0	21.0	30
00 154 462 0	2.0	13	00 265 213 1	14.0	6	00 265 335 0	28.0	22	00 265 454 0	13.0	25	00 302 065 0	21.0	29

ID-NR. ID-NO.	TAFEL DIAG.	POS. POS.	ID-NR. ID-NO.	TAFEL DIAG.	POS. POS.	ID-NR. ID-NO.	TAFEL DIAG.	POS. POS.	ID-NR. ID-NO.	TAFEL DIAG.	POS. POS.	ID-NR. ID-NO.	TAFEL DIAG.	POS. POS.
00 302 068 0	21.0	28	00 900 657 0	12.0	16	00 908 013 0	13.0	11	00 908 716 1	17.0	11	00 910 351 1	22.0	2
00 302 091 0	21.0	32	00 900 657 0	28.0	12	00 908 039 0	2.0	3	00 908 716 1	17.1	11	00 910 351 1	28.0	18
00 302 092 0	21.0	27	00 900 658 0	7.0	18	00 908 207 1	24.0	21	00 908 721 0	1.0	5	00 910 351 1	29.0	11
00 332 014 2	24.0	19	00 900 658 0	9.0	18	00 908 207 1	29.0	3	00 908 721 0	2.0	6	00 910 353 0	16.0	14
00 332 014 2	26.0	12	00 900 658 0	18.0	11	00 908 207 1	29.0	13	00 908 732 0	3.0	2	00 910 353 0	29.0	7
00 332 232 0	16.0	9	00 900 658 0	19.0	10	00 908 207 1	30.0	6	00 908 758 0	28.0	3	00 910 356 0	7.0	23
00 335 364 0	21.0	8	00 900 672 0	18.0	8	00 908 208 0	23.0	9	00 908 758 0	29.0	9	00 910 411 1	20.0	12
00 340 104 2	1.0	3	00 900 675 0	5.0	1	00 908 212 0	2.0	12	00 908 927 0	3.0	16	00 910 411 1	23.0	6
00 344 524 0	23.0	12	00 900 675 0	6.0	9	00 908 515 0	28.0	21	00 909 502 0	27.0	5	00 910 413 0	17.0	17
00 490 161 1	4.0	4	00 900 675 0	17.0	8	00 908 525 1	26.0	2	00 909 904 1	8.0	10	00 910 413 0	17.1	17
00 490 307 1	24.0	11	00 900 675 0	17.1	8	00 908 525 1	27.0	8	00 909 904 1	10.0	10	00 910 413 0	20.0	22
00 900 230 0	13.0	1	00 900 688 0	1.0	14	00 908 620 0	24.0	13	00 909 909 1	2.0	25	00 910 413 0	25.0	14
00 900 239 1	28.0	4	00 901 061 2	27.0	4	00 908 620 0	26.0	5	00 909 909 1	13.0	2	00 910 414 0	29.0	8
00 900 284 0	28.0	2	00 901 122 0	18.0	6	00 908 701 0	11.0	4	00 909 909 1	16.0	15	00 910 506 1	7.0	17
00 900 335 1	5.0	5	00 901 123 0	28.0	6	00 908 701 0	12.0	10	00 909 909 1	19.0	20	00 910 506 1	9.0	17
00 900 607 0	20.0	14	00 901 137 1	7.0	24	00 908 701 0	14.0	3	00 909 909 1	20.0	26	00 910 506 1	15.0	7
00 900 610 0	1.0	25	00 901 159 0	23.0	5	00 908 704 1	22.0	1	00 909 910 1	12.0	7	00 910 506 1	16.0	18
00 900 612 0	25.0	8	00 901 453 0	15.0	6	00 908 704 1	25.0	3	00 909 910 1	18.0	3	00 910 506 1	18.0	5
00 900 614 0	20.0	23	00 901 455 0	19.0	16	00 908 704 1	28.0	19	00 909 910 1	19.0	2	00 910 506 1	19.0	14
00 900 614 0	25.0	11	00 901 457 0	14.0	8	00 908 706 0	7.0	12	00 909 910 1	20.0	19	00 910 506 1	20.0	20
00 900 616 0	21.0	7	00 901 482 0	8.0	11	00 908 706 0	9.0	12	00 909 912 1	5.0	6	00 910 506 1	28.0	13
00 900 617 0	7.0	10	00 901 482 0	10.0	11	00 908 706 0	17.0	18	00 909 912 1	10.0	22	00 910 512 2	19.0	8
00 900 617 0	9.0	10	00 901 507 0	2.0	5	00 908 706 0	17.1	18	00 909 912 1	17.0	10	00 910 512 2	26.0	26
00 900 617 0	17.0	16	00 902 402 0	7.0	7	00 908 706 0	20.0	16	00 909 912 1	17.1	10	00 910 514 1	2.0	21
00 900 617 0	17.1	16	00 902 402 0	8.0	6	00 908 706 0	25.0	6	00 909 912 1	18.0	9	00 910 514 1	16.0	13
00 900 617 0	24.0	6	00 902 402 0	9.0	7	00 908 711 1	1.0	7	00 909 922 0	1.0	12	00 910 514 1	17.0	3
00 900 617 0	25.0	7	00 902 402 0	10.0	6	00 908 711 1	7.0	13	00 910 014 0	13.0	12	00 910 514 1	17.1	3
00 900 632 0	19.0	13	00 903 150 0	16.0	8	00 908 711 1	9.0	13	00 910 031 0	29.0	12	00 910 514 1	24.0	16
00 900 632 0	20.0	1	00 903 212 1	10.0	23	00 908 711 1	15.0	8	00 910 031 0	30.0	5	00 910 514 1	26.0	24
00 900 634 0	2.0	33	00 903 481 1	25.0	1	00 908 711 1	16.0	17	00 910 032 0	20.0	13	00 910 515 2	1.0	9
00 900 634 0	16.0	16	00 903 661 0	30.0	3	00 908 711 1	18.0	2	00 910 033 0	25.0	12	00 910 603 0	2.0	28
00 900 636 0	2.0	24	00 903 747 0	24.0	23	00 908 711 1	19.0	3	00 910 035 0	4.0	25	00 910 603 0	25.0	5
00 900 636 0	11.0	23	00 903 747 0	29.0	10	00 908 711 1	20.0	25	00 910 111 1	11.0	22	00 910 609 0	2.0	11
00 900 636 0	29.0	6	00 904 065 1	11.0	16	00 908 711 1	24.0	9	00 910 225 0	3.0	9	00 910 624 0	14.0	7
00 900 638 0	7.0	8	00 904 345 1	29.0	4	00 908 711 1	28.0	8	00 910 256 0	3.0	8	00 910 659 0	1.0	16
00 900 638 0	8.0	7	00 904 804 0	22.0	4	00 908 711 1	28.0	14	00 910 303 1	5.0	2	00 910 661 1	1.0	21
00 900 638 0	9.0	8	00 906 040 1	4.0	18	00 908 711 1	28.0	20	00 910 303 1	6.0	8	00 910 719 0	20.0	4
00 900 638 0	10.0	7	00 906 202 1	24.0	12	00 908 716 1	5.0	4	00 910 303 1	17.0	9	00 910 727 0	4.0	22
00 900 655 0	4.0	24	00 906 948 0	20.0	11	00 908 716 1	6.0	7	00 910 303 1	17.1	9	00 910 727 0	19.0	5
00 900 656 0	20.0	18	00 906 983 1	2.0	27	00 908 716 1	7.0	22	00 910 346 0	11.0	28	00 910 729 1	2.0	16

ID-NR.	TAFEL	POS.	ID-NR.	TAFEL	POS.	ID-NR.	TAFEL	POS.	ID-NR.	TAFEL	POS.	ID-NR.	TAFEL	POS.
ID-NO.	DIAG.	POS.	ID-NO.	DIAG.	POS.	ID-NO.	DIAG.	POS.	ID-NO.	DIAG.	POS.	ID-NO.	DIAG.	POS.
00 910 741 0	4.0	7	00 911 133 0	11.0	8	00 912 677 0	31.0	11	00 919 105 0	7.0	27	00 921 206 0	26.0	21
00 910 741 0	12.0	18	00 911 134 0	1.0	24	00 912 714 0	19.0	9	00 919 105 0	8.0	14	00 921 290 1	24.0	18
00 910 820 0	12.0	3	00 911 134 0	4.0	16	00 912 718 2	3.0	19	00 919 105 0	9.0	19	00 921 290 1	26.0	9
00 910 824 0	12.0	3	00 911 134 0	11.0	8	00 912 719 0	8.0	15	00 919 105 0	10.0	14	00 921 297 1	26.0	7
00 910 835 0	12.0	4	00 911 136 1	11.0	8	00 912 719 0	10.0	15	00 919 105 0	15.0	5	00 924 007 0	6.0	2
00 910 836 0	12.0	4	00 911 166 0	11.0	18	00 912 719 0	32.0	24	00 919 105 0	24.0	7	00 924 010 0	24.0	22
00 910 845 1	17.0	4	00 911 168 0	11.0	18	00 912 742 0	8.0	8	00 919 105 0	26.0	3	00 924 208 0	2.0	32
00 910 845 1	17.1	4	00 911 522 0	2.0	30	00 912 742 0	10.0	8	00 919 105 0	32.0	31	00 924 208 0	24.0	3
00 910 864 0	1.0	13	00 911 541 0	4.0	17	00 912 745 3	1.0	11	00 919 106 0	31.0	4	00 924 208 0	25.0	25
00 910 865 1	7.0	3	00 911 541 0	4.0	21	00 912 773 1	8.0	15	00 919 803 1	12.0	19	00 924 535 1	30.0	19
00 910 865 1	8.0	3	00 911 541 0	11.0	10	00 912 773 1	10.0	15	00 920 886 0	25.0	17	00 924 536 0	30.0	18
00 910 865 1	9.0	3	00 911 562 0	12.0	20	00 915 072 1	8.0	20	00 920 887 0	25.0	18	00 924 569 0	29.0	5
00 910 865 1	10.0	3	00 911 570 0	12.0	5	00 915 072 1	10.0	20	00 920 888 0	25.0	19	00 924 569 0	29.0	16
00 910 885 0	7.0	14	00 911 604 0	12.0	6	00 915 072 1	11.0	24	00 920 901 1	25.0	27	00 924 571 0	30.0	4
00 910 885 0	9.0	14	00 911 647 1	2.0	17	00 915 073 0	7.0	2	00 920 901 1	26.0	23	00 924 576 0	30.0	1
00 910 885 0	13.0	19	00 911 668 0	6.0	3	00 915 073 0	8.0	19	00 920 924 0	25.0	16	00 924 579 0	21.0	24
00 910 891 0	7.0	14	00 911 668 0	11.0	11	00 915 073 0	9.0	2	00 920 952 0	25.0	20	00 924 580 0	21.0	23
00 910 891 0	9.0	14	00 911 673 0	4.0	6	00 915 073 0	10.0	19	00 920 969 0	23.0	11	00 924 597 0	34.0	5
00 910 900 0	4.0	14	00 911 802 0	13.0	8	00 915 122 0	4.0	10	00 920 970 0	23.0	4	00 924 598 0	34.0	6
00 910 902 0	4.0	14	00 911 803 0	7.0	26	00 915 122 0	4.0	19	00 920 974 1	26.0	11	00 924 610 1	30.0	2
00 910 903 0	4.0	14	00 911 803 0	9.0	22	00 915 600 0	20.0	8	00 920 985 1	27.0	1	00 924 611 0	30.0	13
00 910 904 0	4.0	14	00 912 089 1	3.0	10	00 916 003 1	2.0	7	00 921 028 1	24.0	20	00 924 623 0	30.0	14
00 910 910 0	6.0	4	00 912 400 0	13.0	13	00 917 004 1	18.0	4	00 921 028 1	26.0	13	00 924 624 0	30.0	7
00 910 912 0	6.0	4	00 912 510 0	18.0	12	00 917 011 0	15.0	4	00 921 030 1	25.0	22	00 924 642 0	30.0	8
00 910 912 0	11.0	9	00 912 516 2	8.0	8	00 917 104 0	1.0	2	00 921 039 1	26.0	16	00 924 643 0	30.0	9
00 910 913 0	6.0	4	00 912 516 2	10.0	8	00 917 506 0	17.0	13	00 921 045 1	26.0	15	00 924 644 0	30.0	11
00 910 913 0	11.0	9	00 912 584 0	2.0	1	00 917 506 0	17.1	13	00 921 046 1	24.0	1	00 924 646 0	30.0	10
00 910 914 0	6.0	4	00 912 643 2	19.0	7	00 917 603 0	17.0	12	00 921 046 1	25.0	23	00 924 647 0	30.0	12
00 910 914 0	11.0	9	00 912 643 2	20.0	10	00 917 603 0	17.1	12	00 921 046 1	26.0	20	00 924 675 0	21.0	25
00 910 915 0	6.0	4	00 912 670 0	1.0	17	00 918 300 0	24.0	10	00 921 049 1	26.0	14	00 924 676 0	21.0	33
00 910 915 0	11.0	9	00 912 670 0	2.0	22	00 918 315 0	2.0	10	00 921 059 1	26.0	8	00 924 697 0	30.0	16
00 911 022 0	4.0	8	00 912 670 0	17.0	1	00 918 410 0	27.0	7	00 921 059 1	26.0	18	00 924 699 0	30.0	15
00 911 023 0	4.0	8	00 912 670 0	17.1	1	00 918 702 0	26.0	7	00 921 059 1	27.0	2	00 924 919 2	2.0	31
00 911 023 0	11.0	13	00 912 670 0	24.0	17	00 918 736 0	24.0	18	00 921 067 1	27.0	11	00 925 007 0	19.0	19
00 911 024 0	4.0	8	00 912 670 0	26.0	25	00 918 736 0	26.0	9	00 921 079 1	26.0	19	00 925 009 0	1.0	27
00 911 024 0	11.0	13	00 912 671 0	1.0	6	00 919 002 0	31.0	27	00 921 083 1	27.0	12	00 925 014 0	29.0	1
00 911 024 0	13.0	20	00 912 672 1	1.0	19	00 919 105 0	1.0	20	00 921 145 0	23.0	8	00 925 101 1	23.0	7
00 911 132 0	4.0	16	00 912 673 0	26.0	27	00 919 105 0	2.0	18	00 921 145 0	25.0	21	00 925 105 0	24.0	5
00 911 132 0	11.0	8	00 912 675 2	31.0	14	00 919 105 0	3.0	20	00 921 206 0	24.0	2	00 925 105 0	25.0	30
00 911 133 0	4.0	16	00 912 677 0	13.0	21	00 919 105 0	7.0	19	00 921 206 0	25.0	24	00 925 109 0	29.0	2

ID-NR.	TAFEL	POS.	ID-NR.	TAFEL	POS.	ID-NR.	TAFEL	POS.	ID-NR.	TAFEL	POS.	ID-NR.	TAFEL	POS.
ID-NO.	DIAG.	POS.	ID-NO.	DIAG.	POS.	ID-NO.	DIAG.	POS.	ID-NO.	DIAG.	POS.	ID-NO.	DIAG.	POS.
00 925 111 0	2.0	8	00 934 931 0	13.0	7	00 942 107 1	34.0	4	00 953 715 0	30.0	17			
00 925 111 0	23.0	13	00 934 935 0	2.0	9	00 949 154 1	8.0	2	00 955 275 0	32.0	29			
00 925 112 0	30.0	20	00 934 935 0	3.0	6	00 949 154 1	10.0	2	00 956 003 0	31.0	97			
00 925 113 0	17.0	15	00 934 935 0	7.0	15	00 949 283 0	32.0	59	00 956 003 0	32.0	1			
00 925 113 0	17.1	15	00 934 935 0	9.0	15	00 949 352 0	32.0	53	00 956 028 0	6.0	14			
00 925 122 0	25.0	2	00 935 300 0	13.0	5	00 949 371 0	32.0	13	00 956 111 0	31.0	51			
00 925 181 0	30.0	21	00 936 023 0	12.0	1	00 949 372 0	32.0	27	00 956 130 0	31.0	31			
00 926 000 0	11.0	30	00 936 024 0	13.0	6	00 949 373 0	32.0	28	00 956 131 0	31.0	36			
00 926 000 0	12.0	9	00 936 043 0	12.0	1	00 949 374 0	32.0	30	00 956 148 0	31.0	12			
00 926 101 0	4.0	30	00 936 337 0	4.0	20	00 949 375 0	32.0	56	00 956 149 0	31.0	13			
00 930 137 0	4.0	23	00 936 339 0	4.0	5	00 949 376 0	32.0	57	00 956 155 0	31.0	95			
00 930 156 0	12.0	13	00 937 501 0	13.0	4	00 949 377 0	32.0	5	00 956 193 0	31.0	25			
00 930 157 0	11.0	14	00 937 553 0	6.0	10	00 949 391 2	7.0	6	00 956 195 0	31.0	42			
00 930 167 0	4.0	9	00 938 138 0	16.0	4	00 949 391 2	9.0	6	00 956 196 0	31.0	43			
00 930 283 0	12.0	2	00 938 557 0	28.0	16	00 949 403 0	32.0	11	00 956 198 0	31.0	30			
00 930 323 0	11.0	19	00 938 625 0	3.0	23	00 949 409 0	31.0	3	00 956 232 0	31.0	21			
00 930 507 0	15.0	2	00 938 832 0	16.0	2	00 949 410 0	32.0	23	00 956 233 0	31.0	96			
00 930 535 0	16.0	3	00 938 832 0	20.0	9	00 949 629 0	32.0	22	00 956 400 0	31.0	1			
00 930 536 1	7.0	4	00 938 926 0	6.0	15	00 949 630 0	32.0	12	00 956 432 0	31.0	6			
00 930 536 1	8.0	5	00 938 928 0	20.0	6	00 949 693 0	32.0	25	00 956 560 0	31.0	2			
00 930 536 1	9.0	4	00 938 976 0	3.0	22	00 949 735 0	32.0	26	00 956 560 0	32.0	21			
00 930 536 1	10.0	5	00 938 989 0	20.0	21	00 949 852 1	31.0	37						
00 930 537 0	6.0	5	00 939 063 0	17.0	14	00 949 852 1	32.0	58						
00 930 537 0	11.0	6	00 939 063 0	17.1	14	00 949 863 0	32.0	54						
00 932 155 0	4.0	13	00 939 100 0	33.0	5	00 949 945 0	32.0	4						
00 932 177 0	4.0	1	00 939 108 1	34.0	2	00 950 481 1	3.0	31						
00 932 212 0	3.0	15	00 939 126 0	34.0	7	00 951 254 0	3.0	14						
00 932 222 0	3.0	13	00 939 183 1	34.0	4	00 952 310 1	3.0	17						
00 933 201 0	13.0	15	00 939 212 1	34.0	3	00 952 320 0	3.0	11						
00 933 504 0	19.0	18	00 939 306 1	34.0	2	00 952 330 0	3.0	12						
00 933 504 0	20.0	3	00 939 370 2	34.0	1	00 952 618 0	3.0	7						
00 934 612 0	7.0	4	00 939 420 1	34.0	9	00 953 010 0	3.0	30						
00 934 612 0	8.0	5	00 939 443 1	34.0	10	00 953 058 1	16.0	10						
00 934 612 0	9.0	4	00 939 469 1	33.0	4	00 953 108 0	3.0	3						
00 934 612 0	10.0	5	00 939 471 1	33.0	1	00 953 158 0	16.0	5						
00 934 905 0	8.0	12	00 939 472 2	33.0	2	00 953 210 0	3.0	5						
00 934 905 0	10.0	12	00 939 486 2	34.0	11	00 953 249 2	16.0	7						
00 934 905 0	13.0	9	00 939 574 0	33.0	3	00 953 308 1	3.0	4						
00 934 906 0	1.0	23	00 942 036 1	34.0	1	00 953 328 0	16.0	6						
00 934 906 0	2.0	15	00 942 105 0	34.0	8	00 953 715 0	21.0	13						

Verwenden Sie nur

Original-KRONE-Ersatzteile!

Das gibt Sicherheit und spart Kosten!

Original-KRONE-Ersatzteile bieten die Garantie für höchste Verschleißfestigkeit, lange Lebensdauer und preiswerten Einkauf!

Sie bekommen bei Krone nur Materialien in einwandfreier Qualität und absolut passend für Ihre KRONE-Maschinen. Bei Verwendung von Original-KRONE-Ersatzteilen entspricht das Gerät in Funktion und Arbeitsweise wieder der ursprünglichen Ausführung!

Imitationen und Kopien von Teilen, speziell auf dem Sektor Verschleißteile halten nicht das, was sie vom Aussehen vielleicht versprechen. Material-Qualität kann man schlecht optisch prüfen - daher größte Vorsicht bei Billigangeboten!

**Darum lieber gleich
Original-KRONE-Ersatzteile!**

**Ersatzteil-Katalog auch
auf CD-ROM erhältlich!**

Use

Original-KRONE parts only

**This will increase operational reliability
and help to save costs!**

Original-KRONE-spare parts give you the guarantee of maximum resistance to wear, long life and low prices!

KRONE provides you with parts of first-rate quality which are perfectly suitable for your KRONE machine. By using original KRONE parts you can be sure that function and mode of operation are again as satisfactory as on a new machine!

Imitations and copies of parts, in particular working parts, are not as reliable as they seem to be! The quality of material can hardly be checked with the eye - it is therefore not advisable to purchase imitation parts even if these are cheaper.

**In any case it's better
to use original KRONE parts!**

**Sparte parts list also
available as CD-ROM!**

N'utiliser que

**des pièces de rechange
d'origine KRONE!**

**Vous augmentez ainsi la sécurité de
fonctionnement et vous réduisez
considérablement vos coûts!**

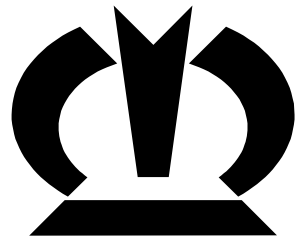
Les pièces de rechange d'origine Krone vous donnent la sécurité d'une exceptionnelle résistance à l'usure, d'une longue durée d'utilisation et de prix avantageux.

KRONE vous offre uniquement des pièces de première qualité parfaitement adaptées à votre machine KRONE. En utilisant des pièces de rechange d'origine KRONE vous pouvez être sûr que fonctionnement et le mode de travail sont identiques à ceux d'une machine nouvelle.

Les imitations et copies de pièces, tout particulièrement des pièces d'usure, ne tiennent pas ce qu'elles promettent par leur apparence! En effet il n'est guère possible de vérifier visuellement la qualité d'une matière. Il est donc prudent de juger avec scepticisme les pièces de rechange à bas prix!

**De toute façon il est raisonnable de donner la préférence aux
pièces de rechange d'origine KRONE!**

**Catalogue de pièces de rechange
également disponible sur CD-ROM!**



KRONE

... konsequent, kompetent

Maschinenfabrik Bernard Krone GmbH

Heinrich-Krone-Straße 10, D-48480 Spelle
Postfach 11 63, D-48478 Spelle

Phone +049 (0) 59 77/935-0
Fax +049 (0) 59 77/935-339 - Zentrale
Fax +049 (0) 59 77/935-239 - ET-Lager

Internet: <http://www.krone.de>
eMail: info.ldm@krone.de